



US00D369361S

United States Patent [19]

Satake

[11] Patent Number: **Des. 369,361**

[45] Date of Patent: ****Apr. 30, 1996**

[54] **ROLLER OF A ROLL UNIT FOR USE IN FLOUR MILLING MACHINES**

4,051,773	10/1977	Staton	99/622
4,572,441	2/1986	Sangati	241/34
4,662,274	5/1987	Nonomiya et al.	99/622 X

[75] Inventor: **Satoru Satake**, Tokyo, Japan

OTHER PUBLICATIONS

[73] Assignee: **Satake Corporation**, Tokyo, Japan

“Flour—raw materials and processed goods”, published by Japan Wheat, pp. 378–395, no date provided.

[**] Term: **14 Years**

Primary Examiner—Antoine Duval Davis
Attorney, Agent, or Firm—Cushman Darby & Cushman

[21] Appl. No.: **38,341**

[22] Filed: **May 3, 1995**

[57] CLAIM

[30] Foreign Application Priority Data

The ornamental design for a roller of a roll unit for use in flour milling machines, as shown and described.

Dec. 13, 1994 [JP] Japan 6-38187

DESCRIPTION

[52] U.S. Cl. **D15/131; D15/138**

[58] Field of Search D7/697; D15/131, D15/138; 99/519, 585, 609, 622; 366/228, 233, 234; 426/482, 483

FIG. 1 is a top, front and left side perspective view on an enlarged roller of a roll unit for use in flour milling machines showing my new design;

FIG. 2 is a front elevational view thereof, the rear, top plan and bottom plan being an identical image;

FIG. 3 is a right side elevational view thereof; and,

FIG. 4 is a sectional view taken along line 4—4 in FIG. 2.

[56] References Cited

U.S. PATENT DOCUMENTS

D. 240,072	5/1976	Glassner et al.	D15/138
D. 285,640	9/1986	Schmidt	D7/697

1 Claim, 1 Drawing Sheet

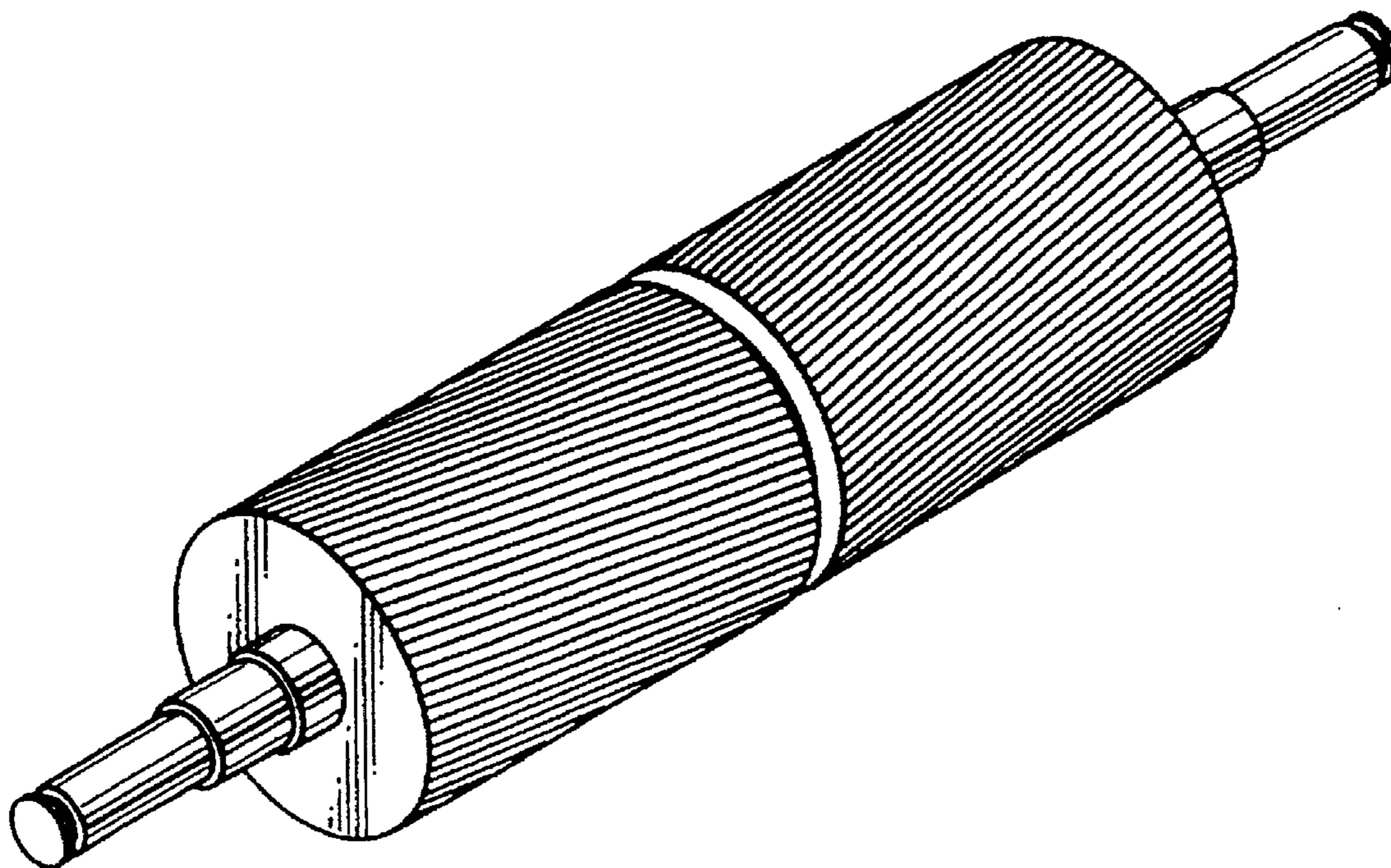


FIG. 1

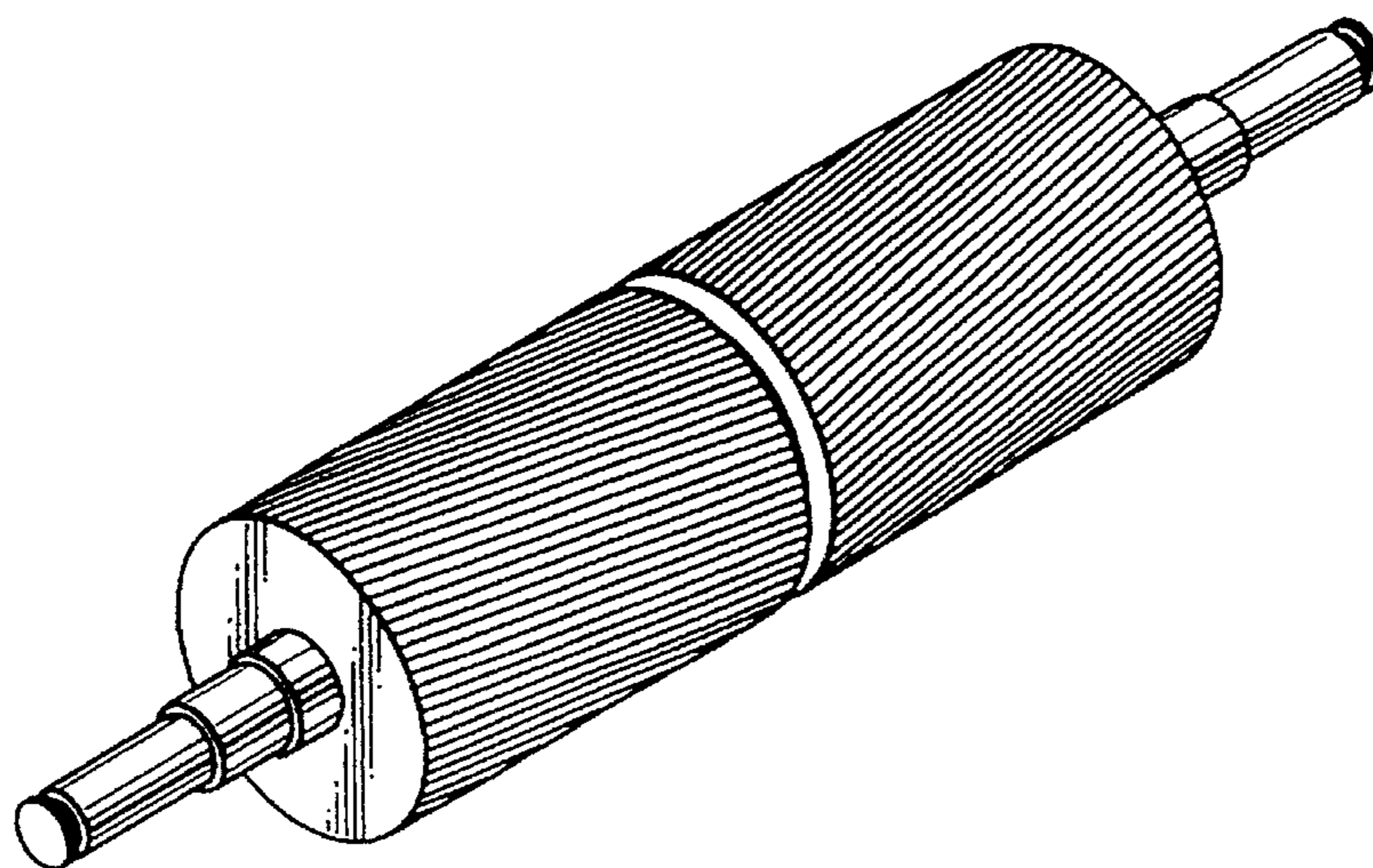


FIG. 2

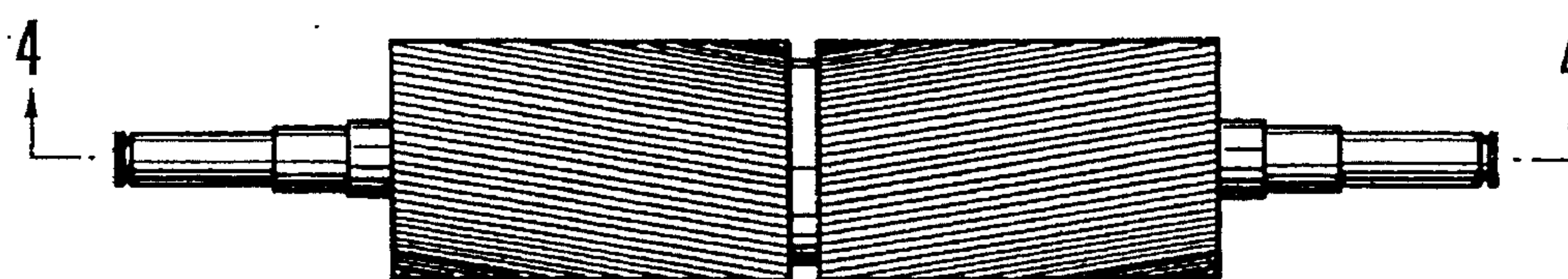


FIG. 3

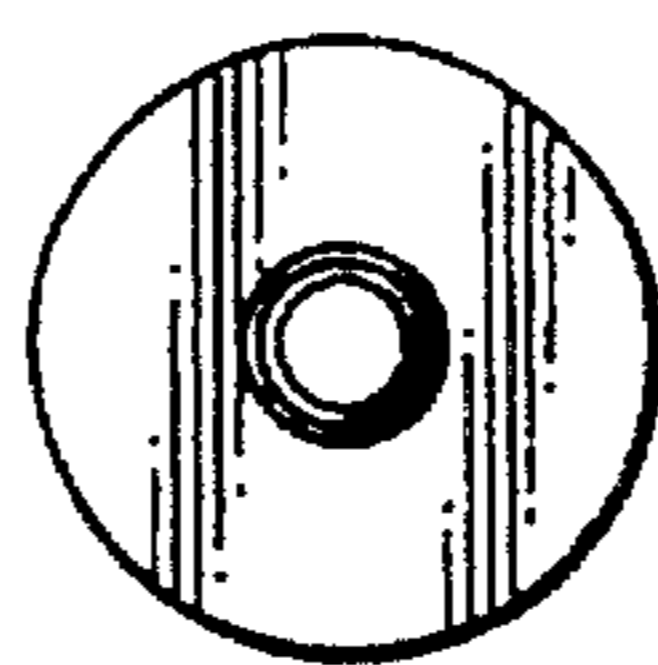


FIG. 4

