



US00D369359S

United States Patent [19]

Wright et al.

[11] Patent Number: **Des. 369,359**

[45] Date of Patent: ****Apr. 30, 1996**

[54] **TELEPHONE RECEPTACLE**

[75] Inventors: **Laura S. Wright**, Des Plaines; **Albert L. Nagele**, Wilmette; **Richard J. Fedorowicz**, Lake Zurich; **Scott R. Smith**, Crystal Lake, all of Ill.

[73] Assignee: **Motorola, Inc.**, Schaumburg, Ill.

[**] Term: **14 Years**

[21] Appl. No.: **36,704**

[22] Filed: **Mar. 24, 1995**

[52] U.S. Cl. **D14/253**; D3/218

[58] **Field of Search** D14/140, 142, D14/149, 240, 251-253, 138; D13/107, 108; D3/218; 379/455, 454, 433, 428, 440, 430, 434; 455/89, 90, 128

[56] **References Cited**

U.S. PATENT DOCUMENTS

D. 215,303	9/1969	Carpenter	D13/108
D. 216,641	2/1970	Phillips	D14/253
D. 261,509	10/1981	Cobb	D14/253
D. 306,299	2/1990	Soren et al.	D14/138
D. 314,173	1/1991	Soren et al.	D13/108

D. 320,992	10/1991	Jondelius	D14/253
D. 346,275	4/1994	Hayasaka et al.	D3/218
D. 346,798	5/1994	Nagele	D14/149
D. 351,280	10/1994	Pennington et al.	D3/218
5,142,573	8/1992	Umezawa	379/454
5,235,292	10/1993	Fluder et al.	379/454 X

FOREIGN PATENT DOCUMENTS

5-167657	7/1993	Japan	379/455
----------	--------	-------	-------	---------

Primary Examiner—Jeffrey Asch
Attorney, Agent, or Firm—Rolland R. Hackbart

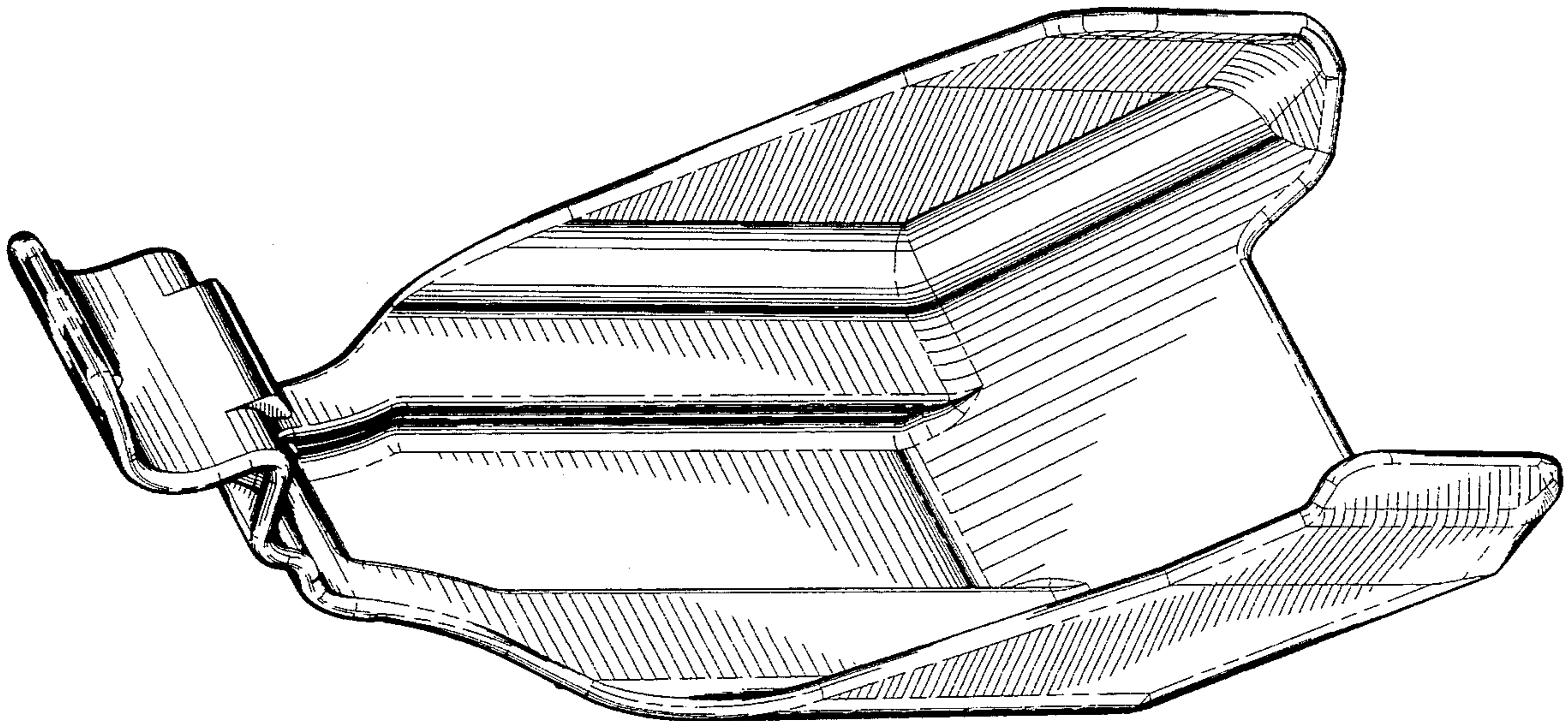
[57] **CLAIM**

The ornamental design for a telephone receptacle, as shown and described.

DESCRIPTION

FIG. 1 is a front, top, and left side perspective view showing our new design for a telephone receptacle; FIG. 2 is a rear elevational view thereof; FIG. 3 is a left elevational view thereof; and, FIG. 4 is a bottom plan view thereof, the four groups of broken lines depicting apertures for receiving a strap being for illustrative purposes only and forming no part of the claimed design.

1 Claim, 3 Drawing Sheets



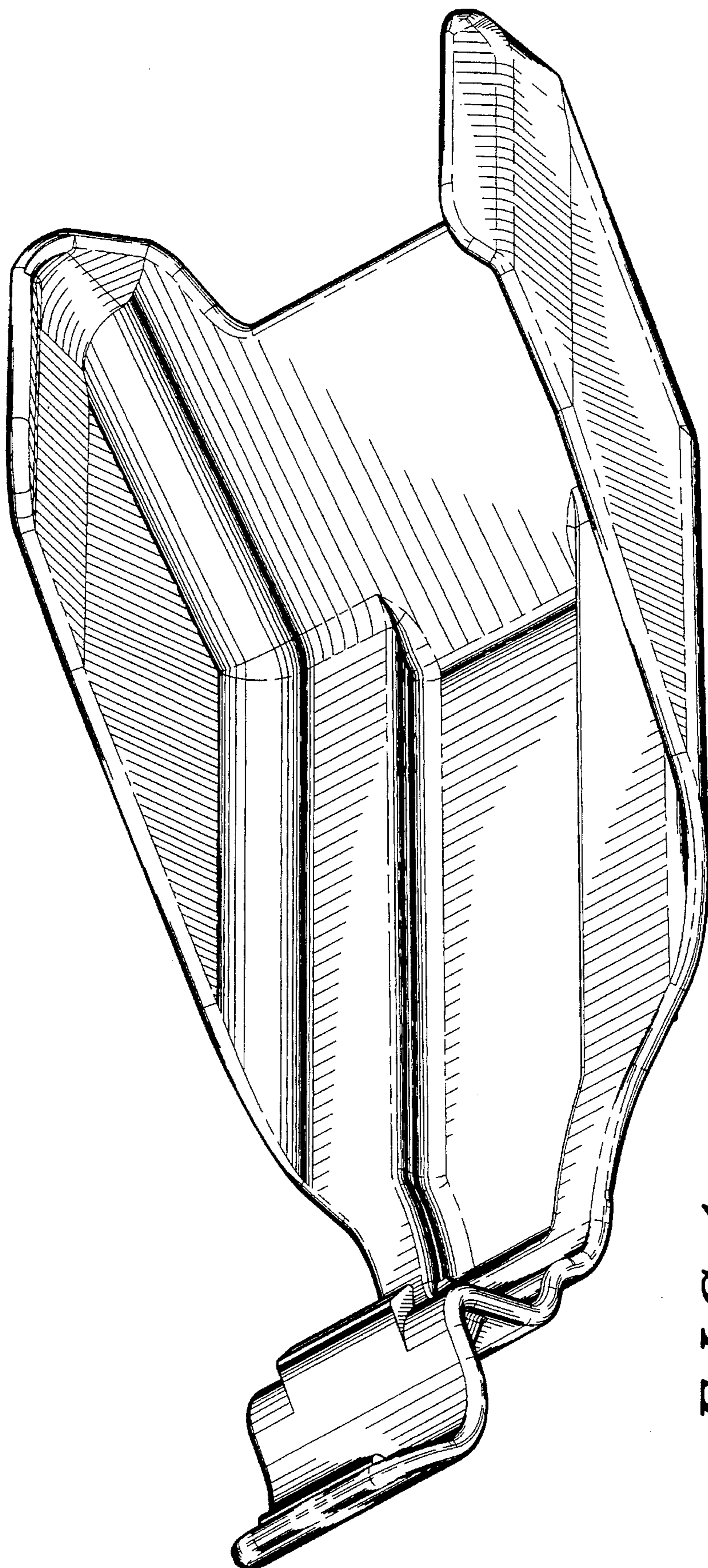


FIG. 1

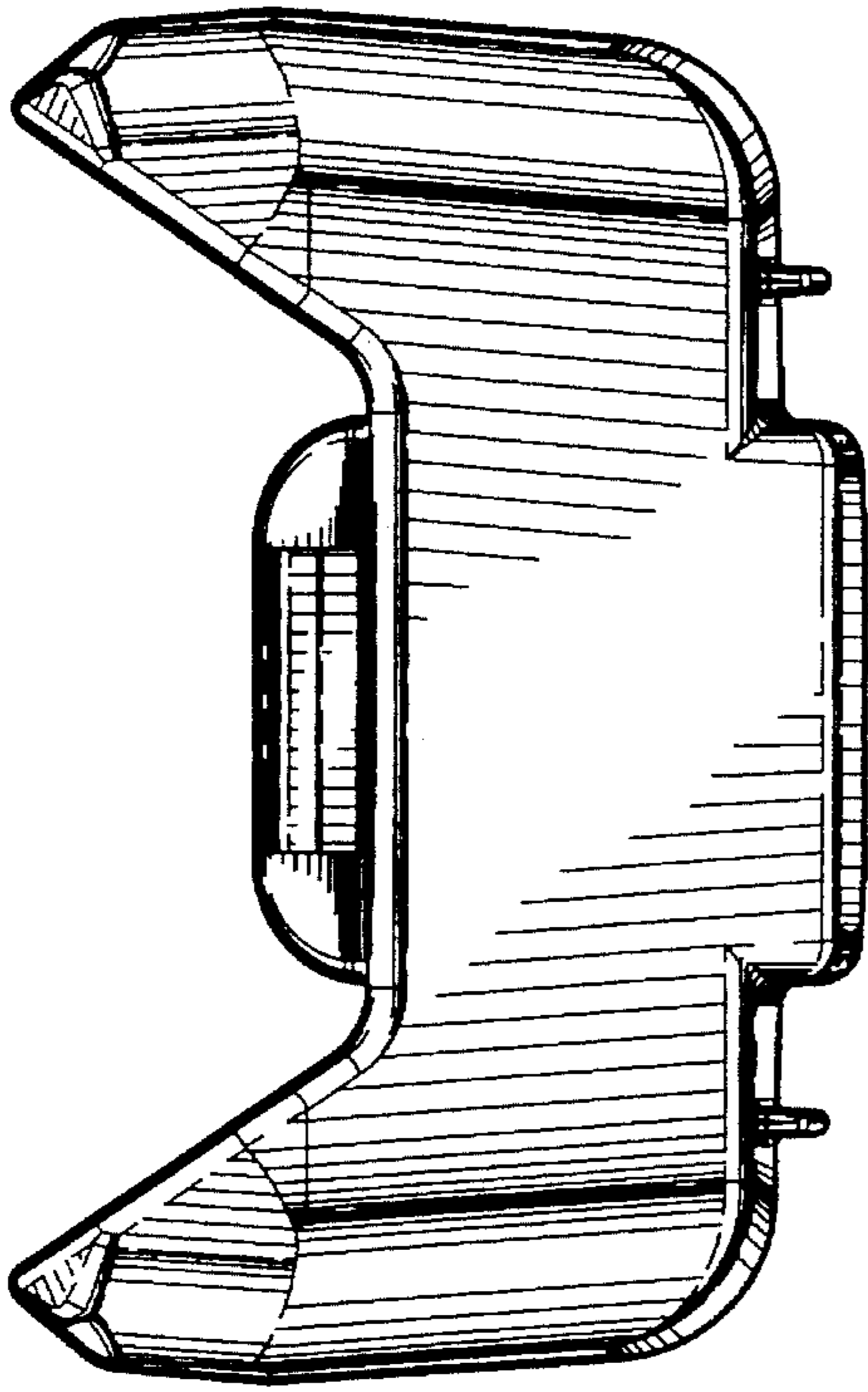


FIG. 2

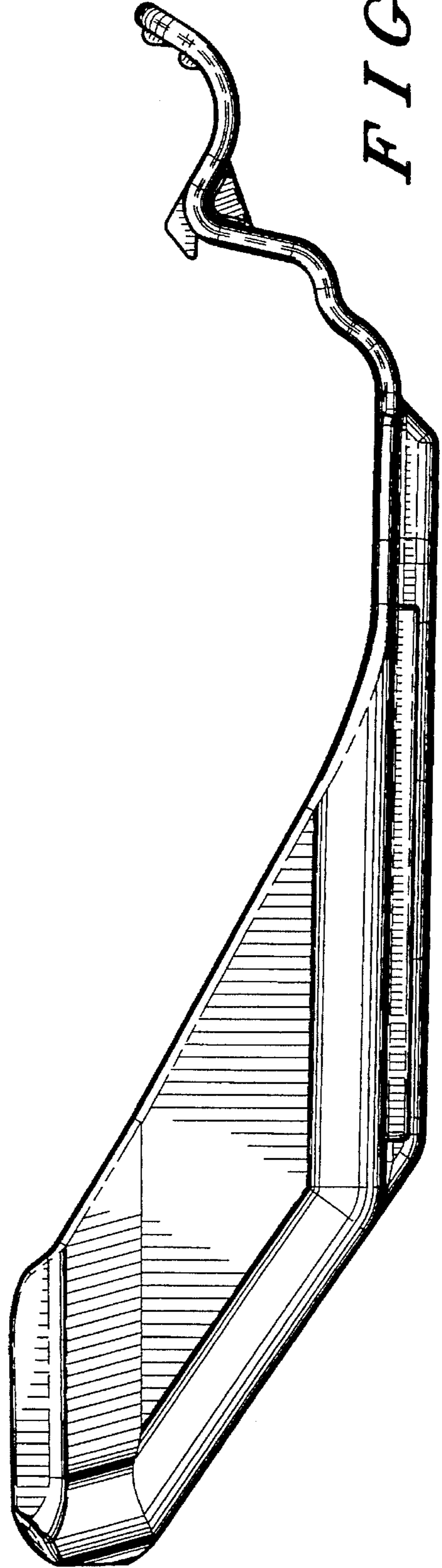


FIG. 3

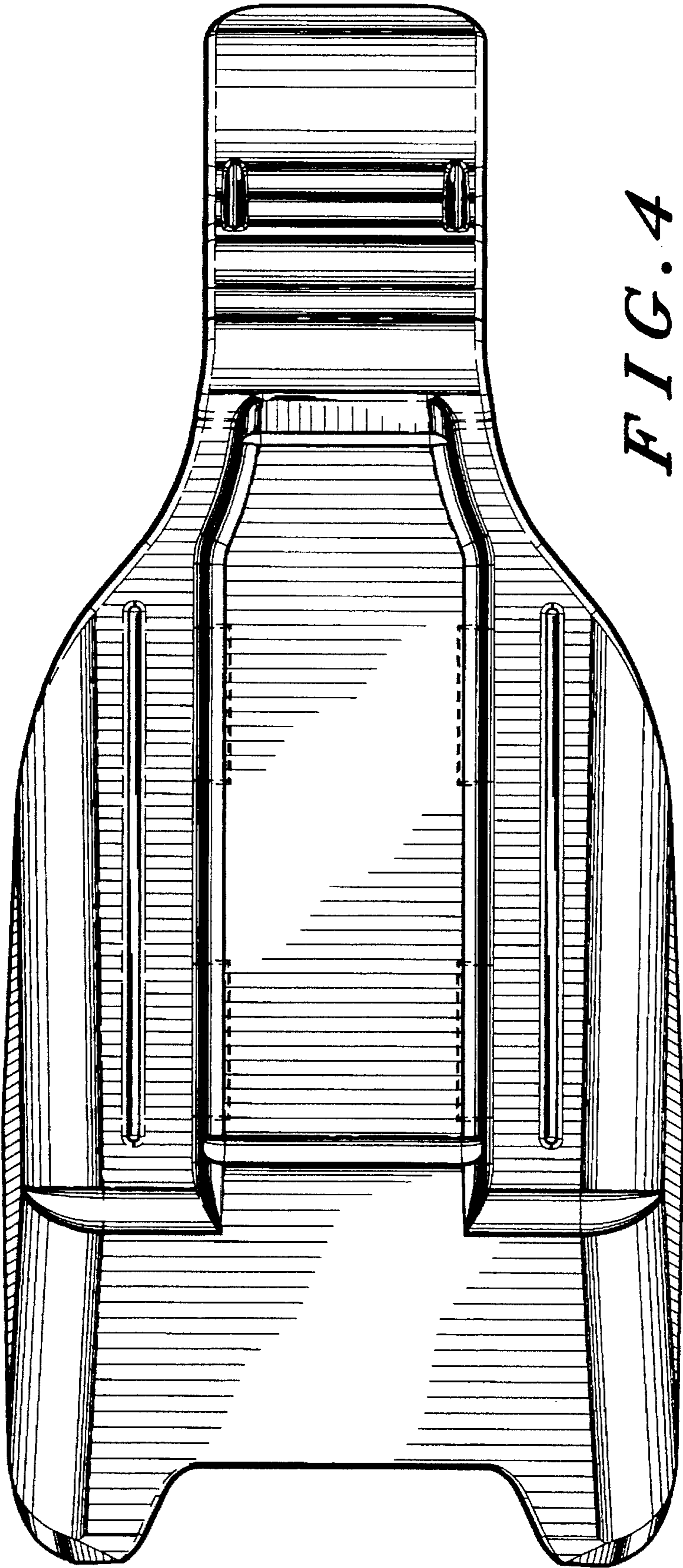


FIG. 4