



US00D369352S

United States Patent [19]
Iwakami

[11] **Patent Number: Des. 369,352**
[45] **Date of Patent: **Apr. 30, 1996**

[54] **AUXILIARY CONNECTOR FOR A CARTRIDGE FOR A VIDEO GAME MACHINE**

5,282,621 2/1994 Tseng 273/148 B

OTHER PUBLICATIONS

Publication No. 872934 issued by the Japanese Patent Office on Jul. 16, 1993.

Primary Examiner—M. H. Tung
Attorney, Agent, or Firm—Michael N. Meller

[75] Inventor: **Yoshiaki Iwakami**, Tokyo, Japan

[73] Assignee: **Sega Enterprises, Ltd.**, Tokyo, Japan

[**] Term: **14 Years**

[21] Appl. No.: **28,619**

[22] Filed: **Oct. 5, 1994**

[30] **Foreign Application Priority Data**

Apr. 11, 1994 [JP] Japan 6-10054

[52] **U.S. Cl.** **D14/114; D21/48**

[58] **Field of Search** **D14/114; D13/133;**
273/148 B, 433-438; D21/48, 13

[56] **References Cited**

U.S. PATENT DOCUMENTS

- D. 315,577 3/1991 Wang D21/48
- D. 333,686 3/1993 Barr et al. D21/48
- D. 348,874 7/1994 Pemberton D14/114
- D. 349,520 8/1994 Iwakami D21/48 X

[57] **CLAIM**

The ornamental design for an auxiliary connector for a cartridge for a video game machine, as shown and described.

DESCRIPTION

FIG. 1 is a perspective view of an auxiliary connector for a cartridge for a video game machine showing my new design, on a reduced scale;
FIG. 2 is a front view thereof;
FIG. 3 is a rear view thereof;
FIG. 4 is a left side view thereof;
FIG. 5 is a right side view thereof;
FIG. 6 is a top view thereof; and,
FIG. 7 is a bottom view thereof.

1 Claim, 4 Drawing Sheets

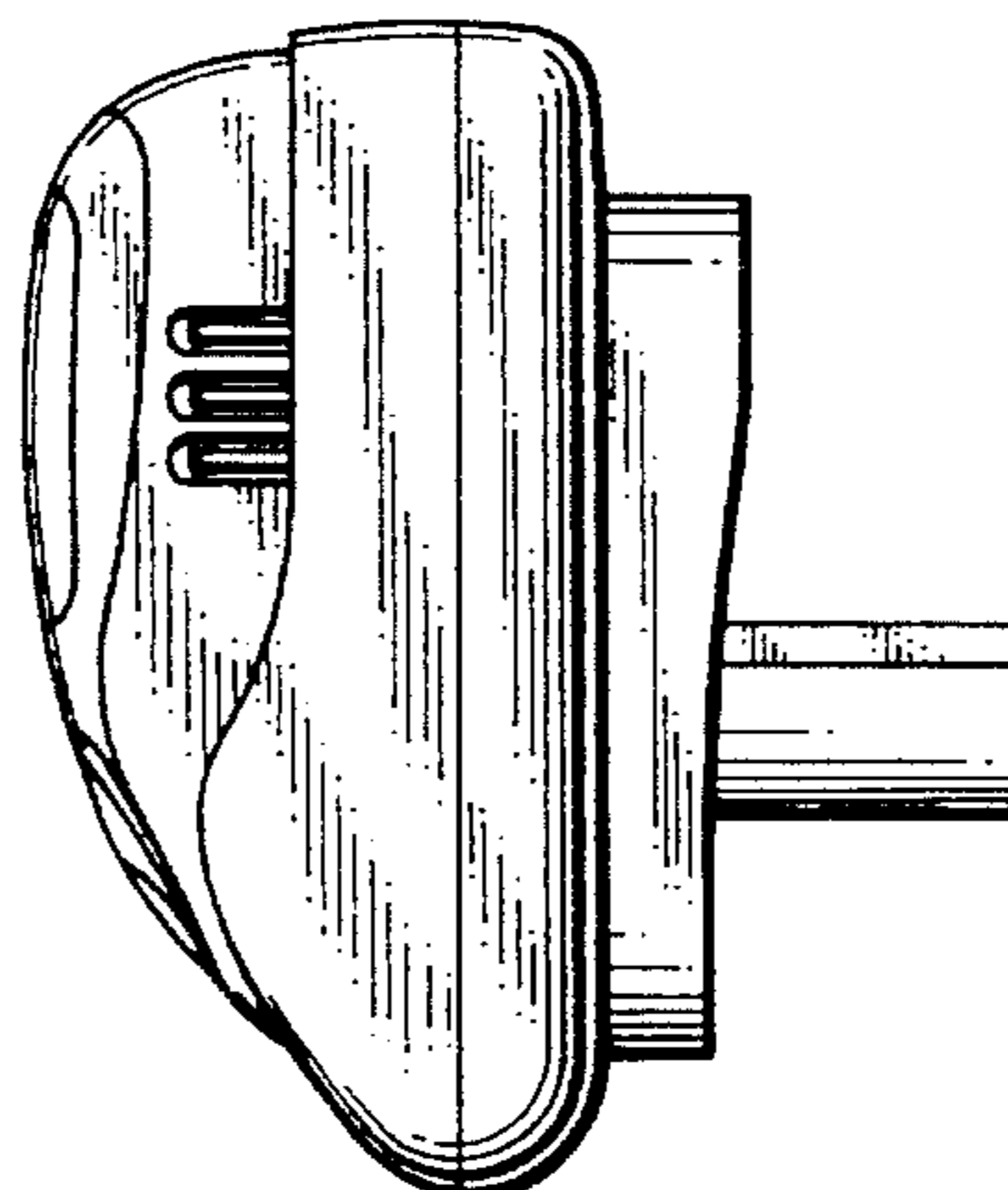
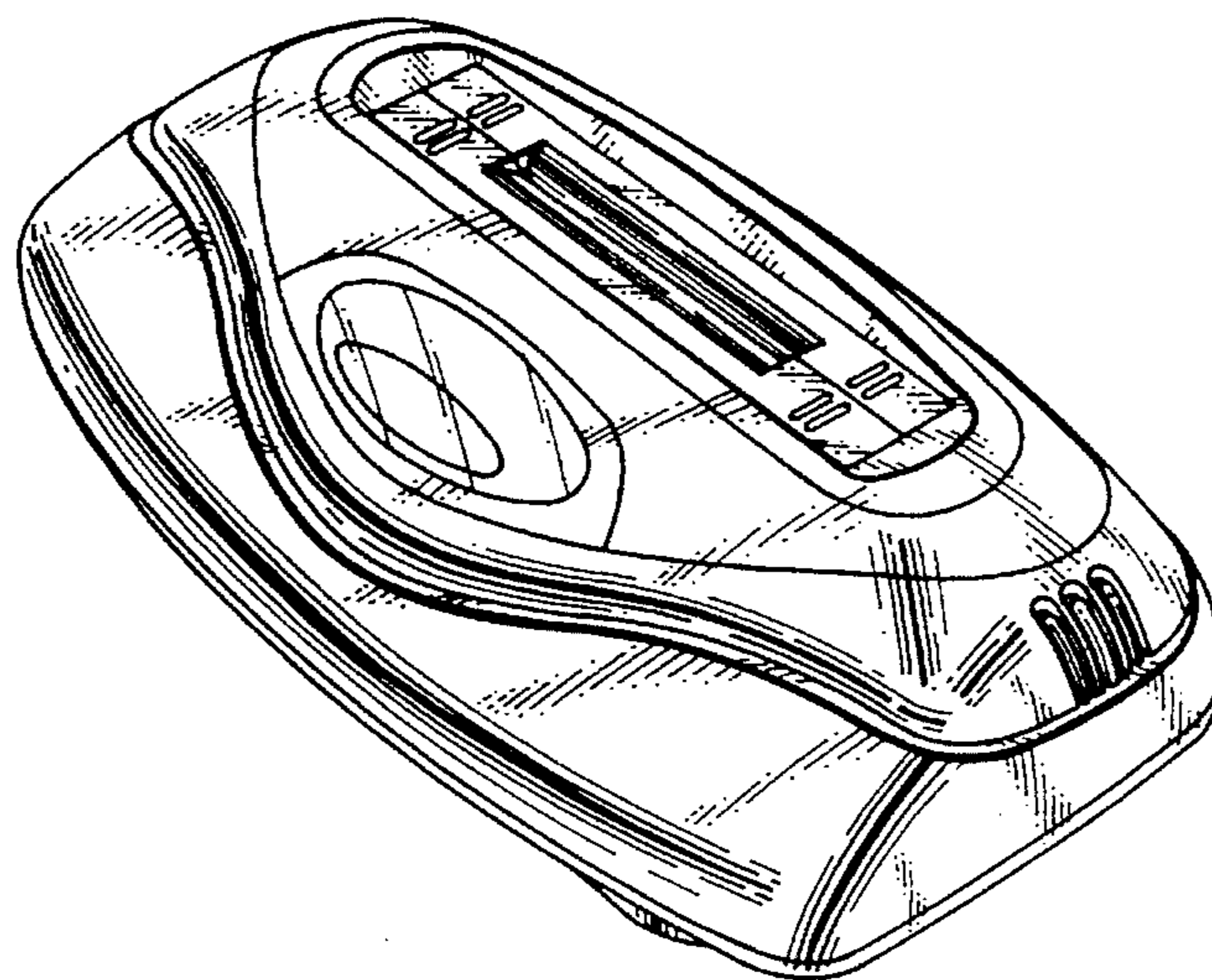


FIG. 1

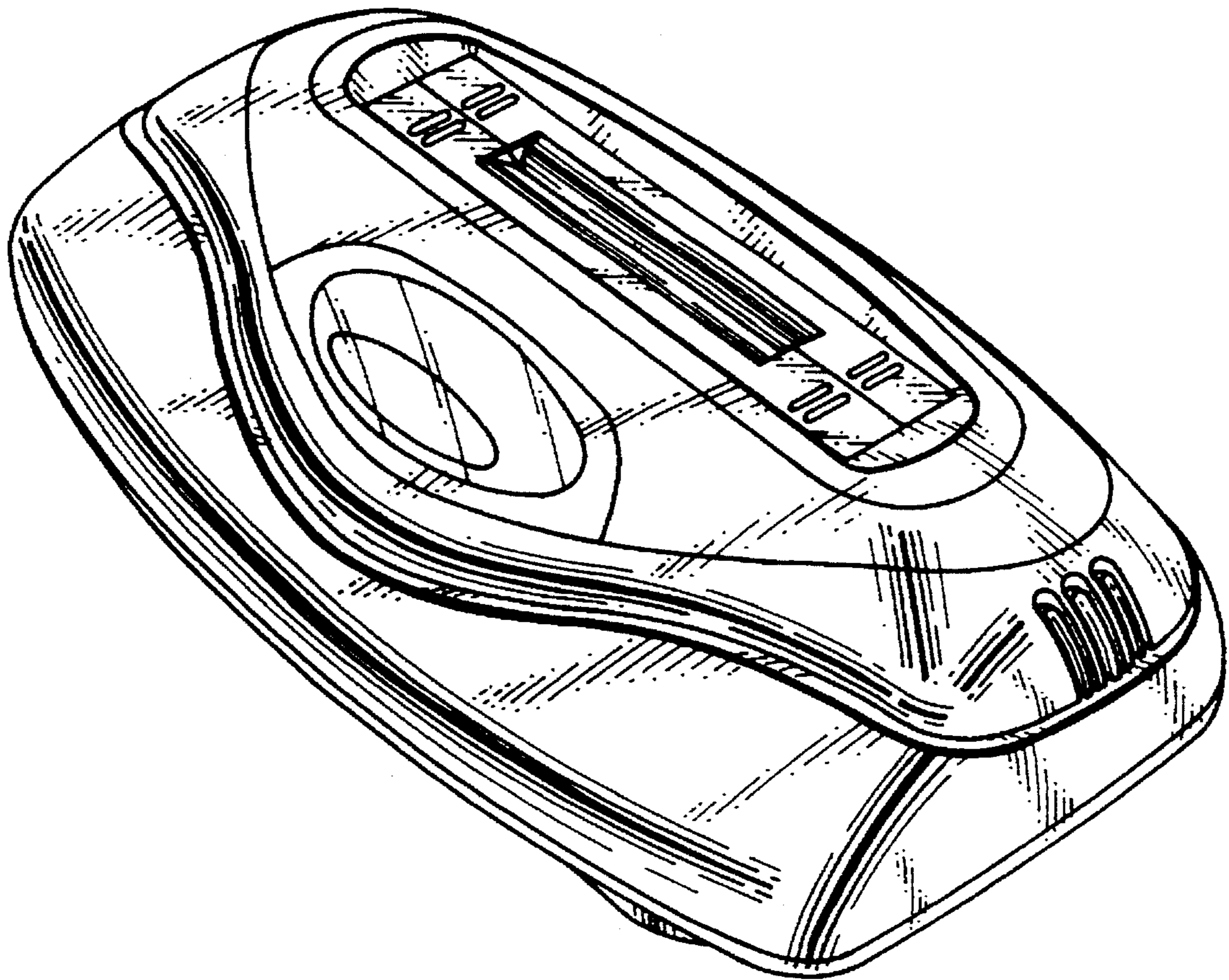


FIG. 2

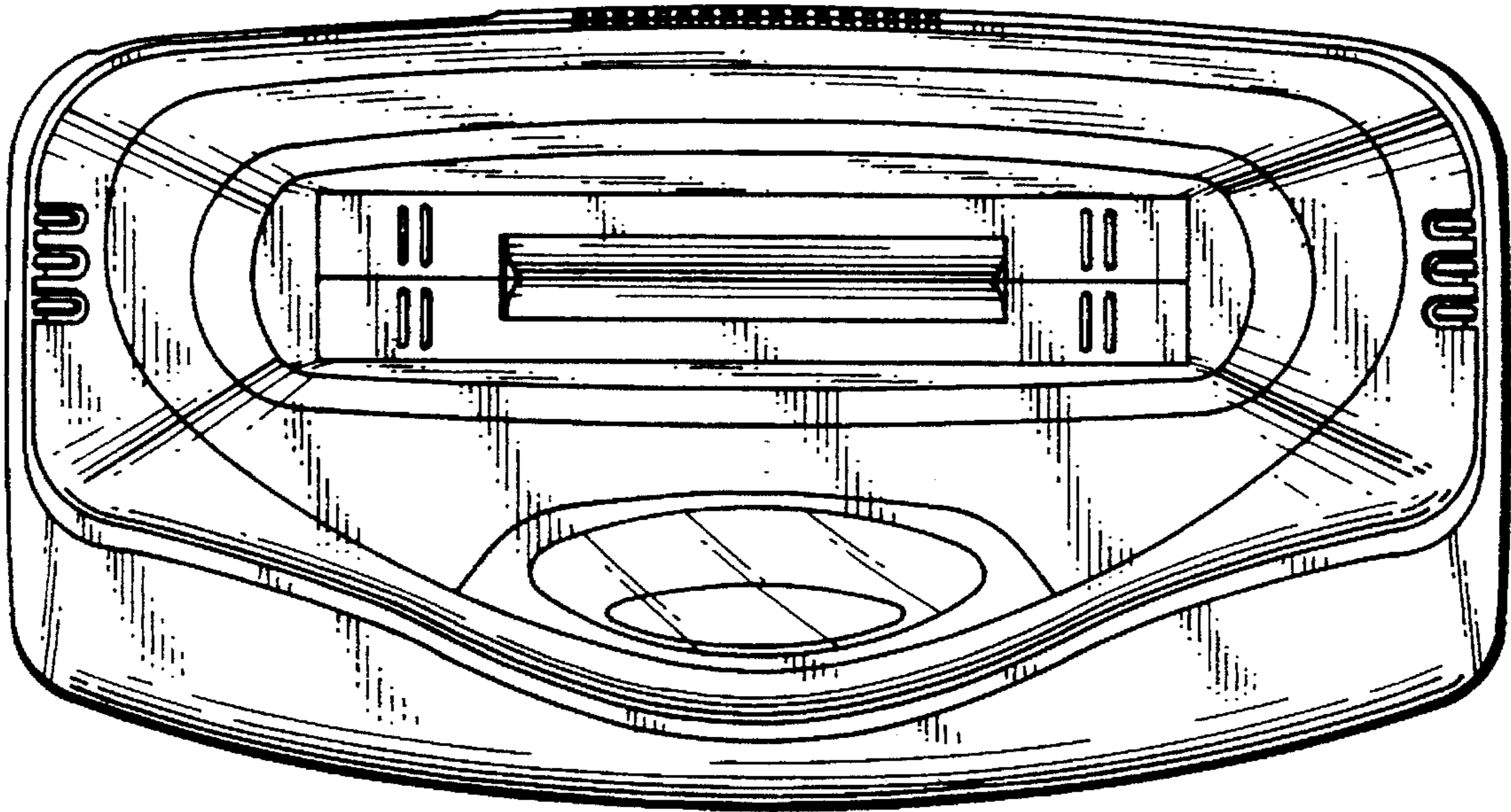


FIG. 3

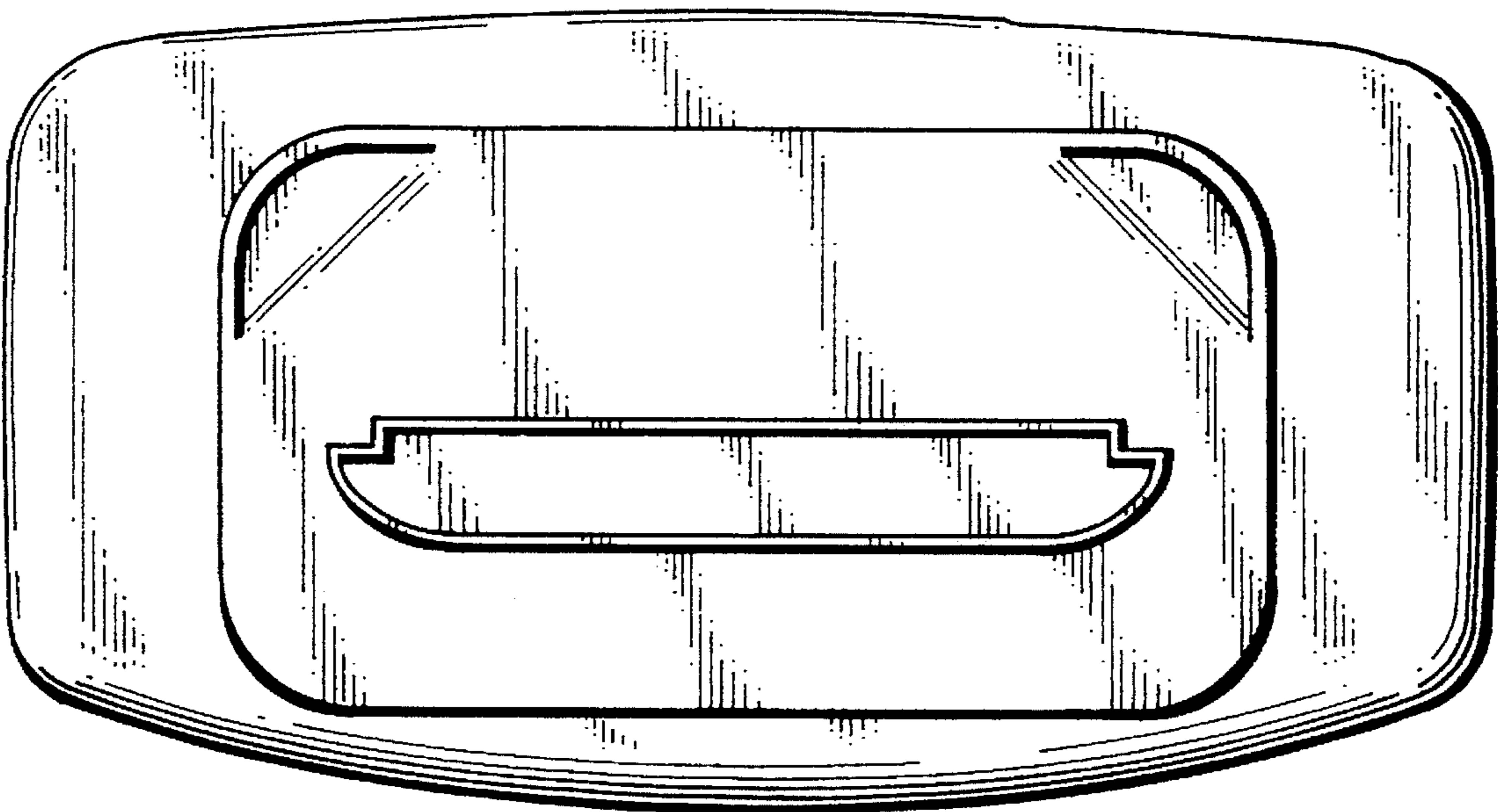


FIG. 4

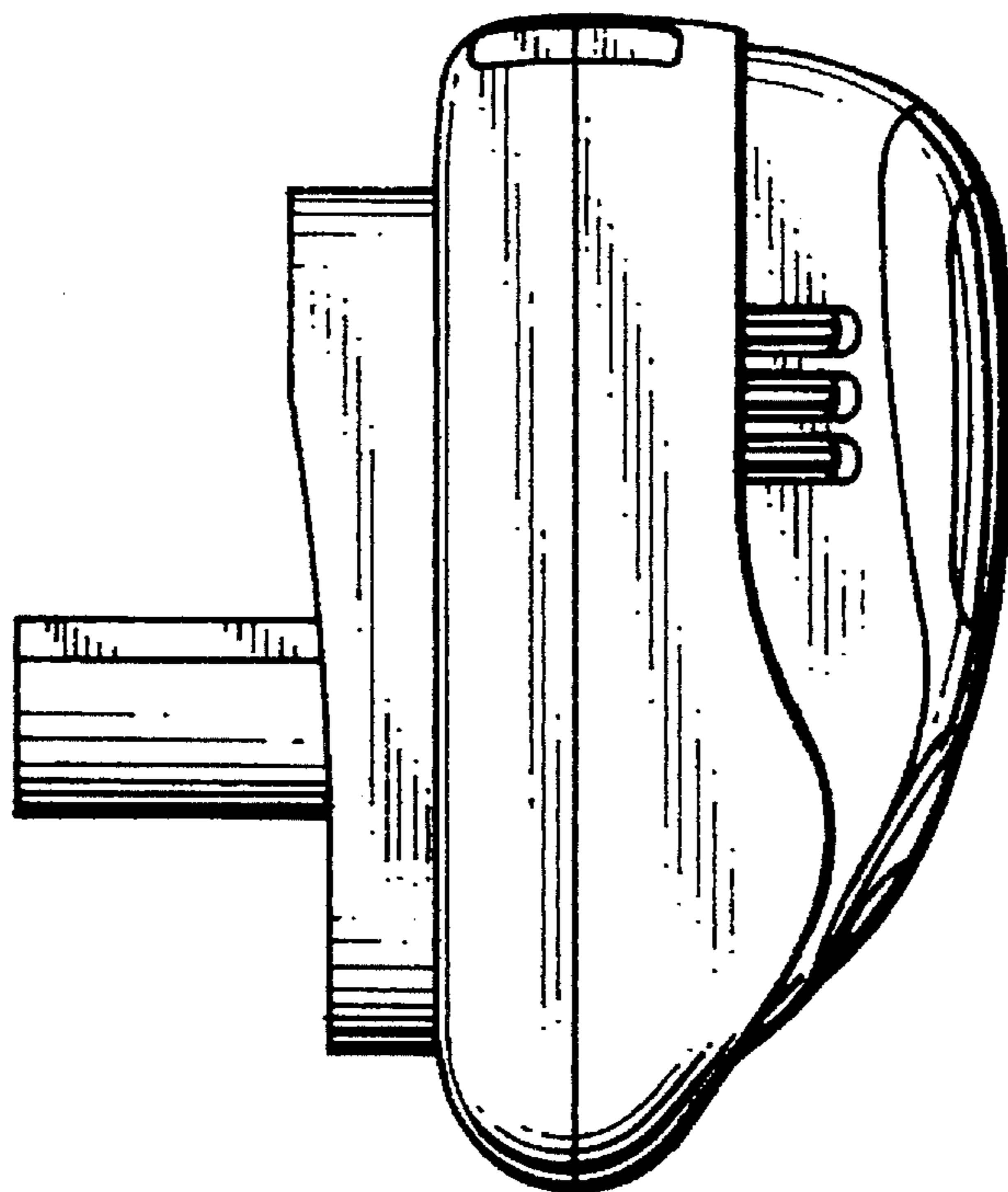


FIG. 5

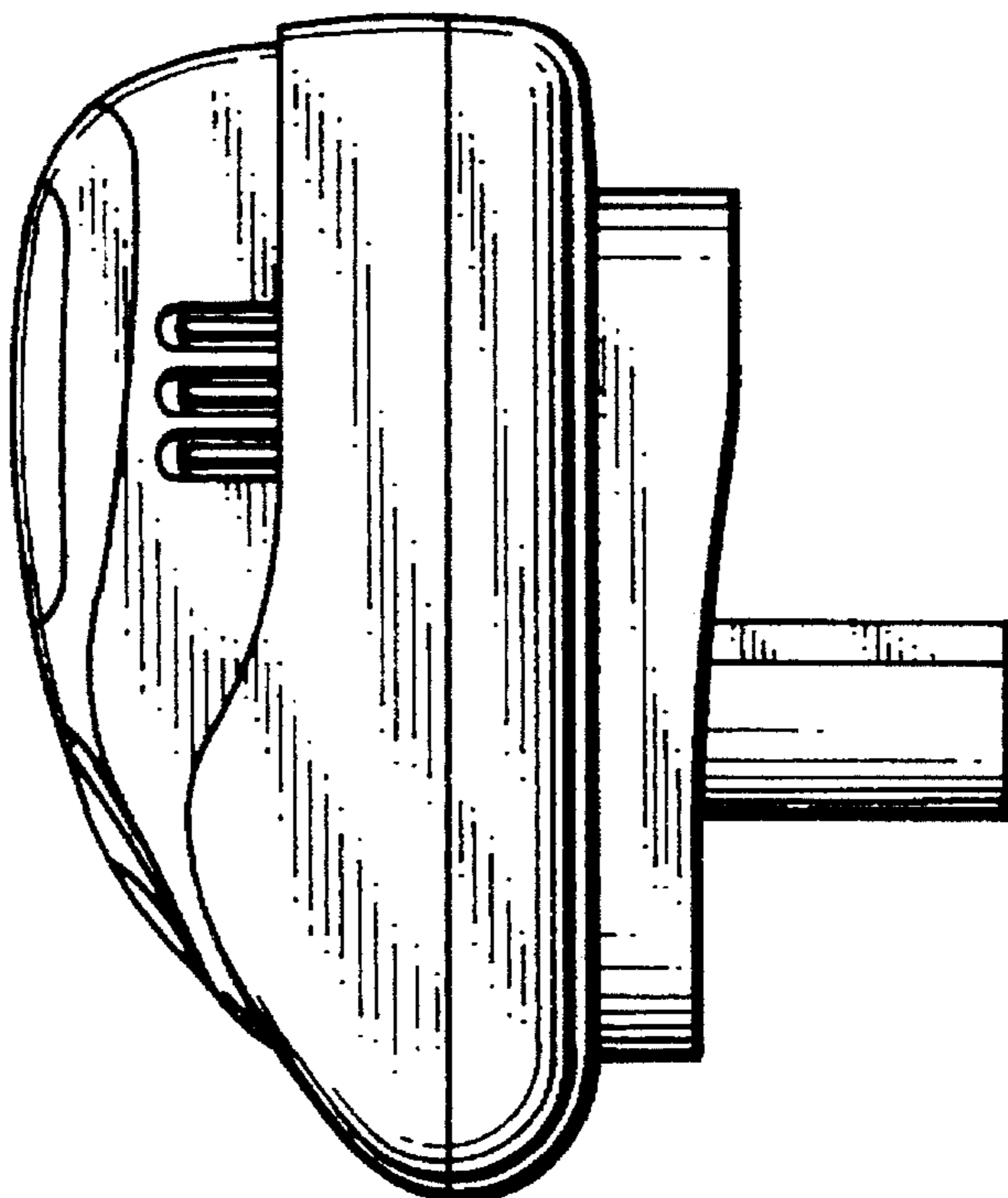


FIG. 6

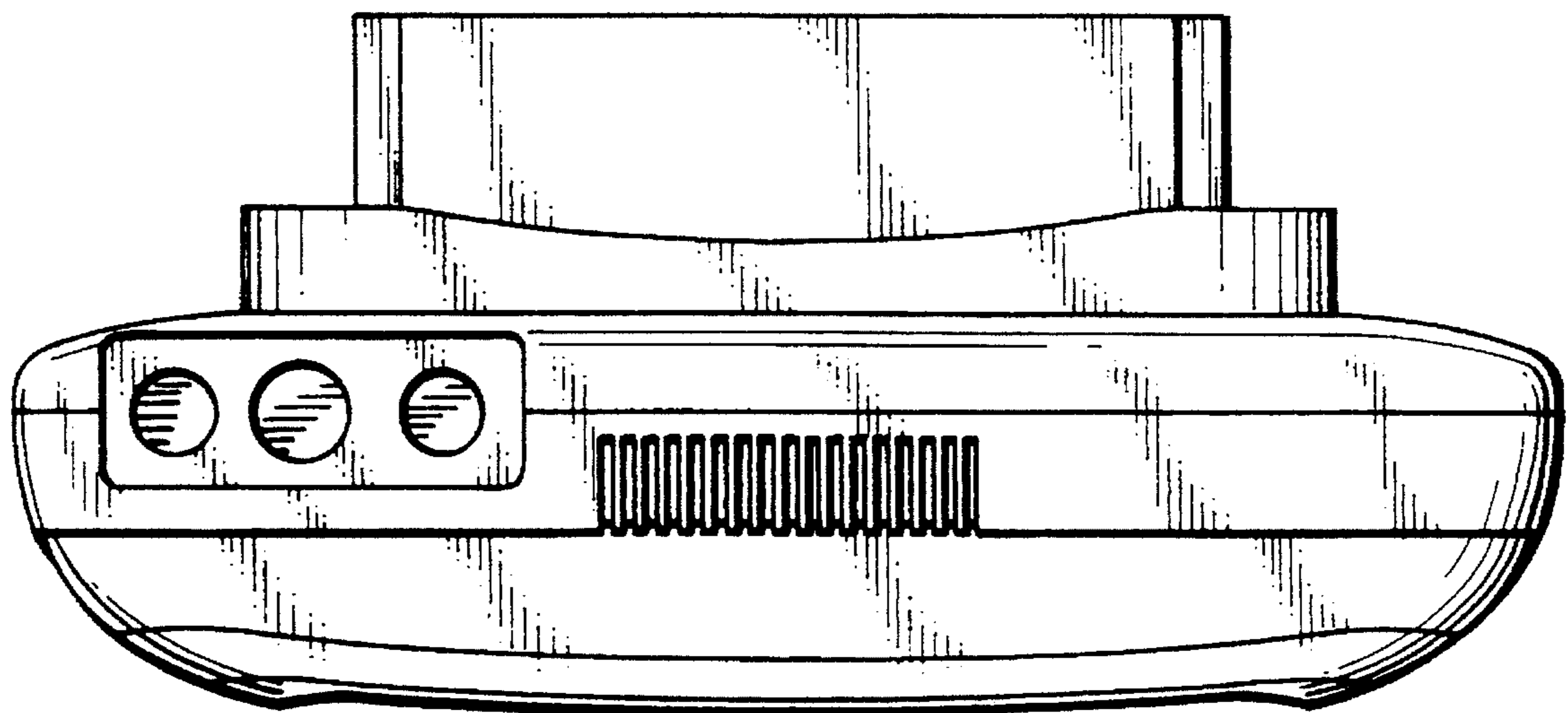


FIG. 7

