



US00D369350S

United States Patent [19]

Takahashi

[11] Patent Number: **Des. 369,350**

[45] Date of Patent: ****Apr. 30, 1996**

[54] **CONTROLLER UNIT**

[75] Inventor: **Tomoyuki Takahashi**, Kanagawa, Japan

[73] Assignee: **International Business Machines Corporation**, Armonk, N.Y.

[**] Term: **14 Years**

[21] Appl. No.: **20,221**

[22] Filed: **Mar. 22, 1994**

[30] **Foreign Application Priority Data**

Sep. 29, 1993 [JP] Japan 5-29501

[52] U.S. Cl. **D14/100**

[58] Field of Search D14/100, 102, D14/107-109; D13/162, 184, 199; 312/208.1, 223.2, 223.3, 194; 360/97.01, 97.04, 98.01, 99.01, 99.12; 361/600, 622, 724-728

[56] **References Cited**

U.S. PATENT DOCUMENTS

D. 280,898 10/1985 Benigni et al. D14/102 X

D. 335,489 5/1993 Sander D14/100
D. 338,453 8/1993 Martin D14/100

Primary Examiner—Freda Nunn
Attorney, Agent, or Firm—Craig J. Yudell; Andrew J. Dillon

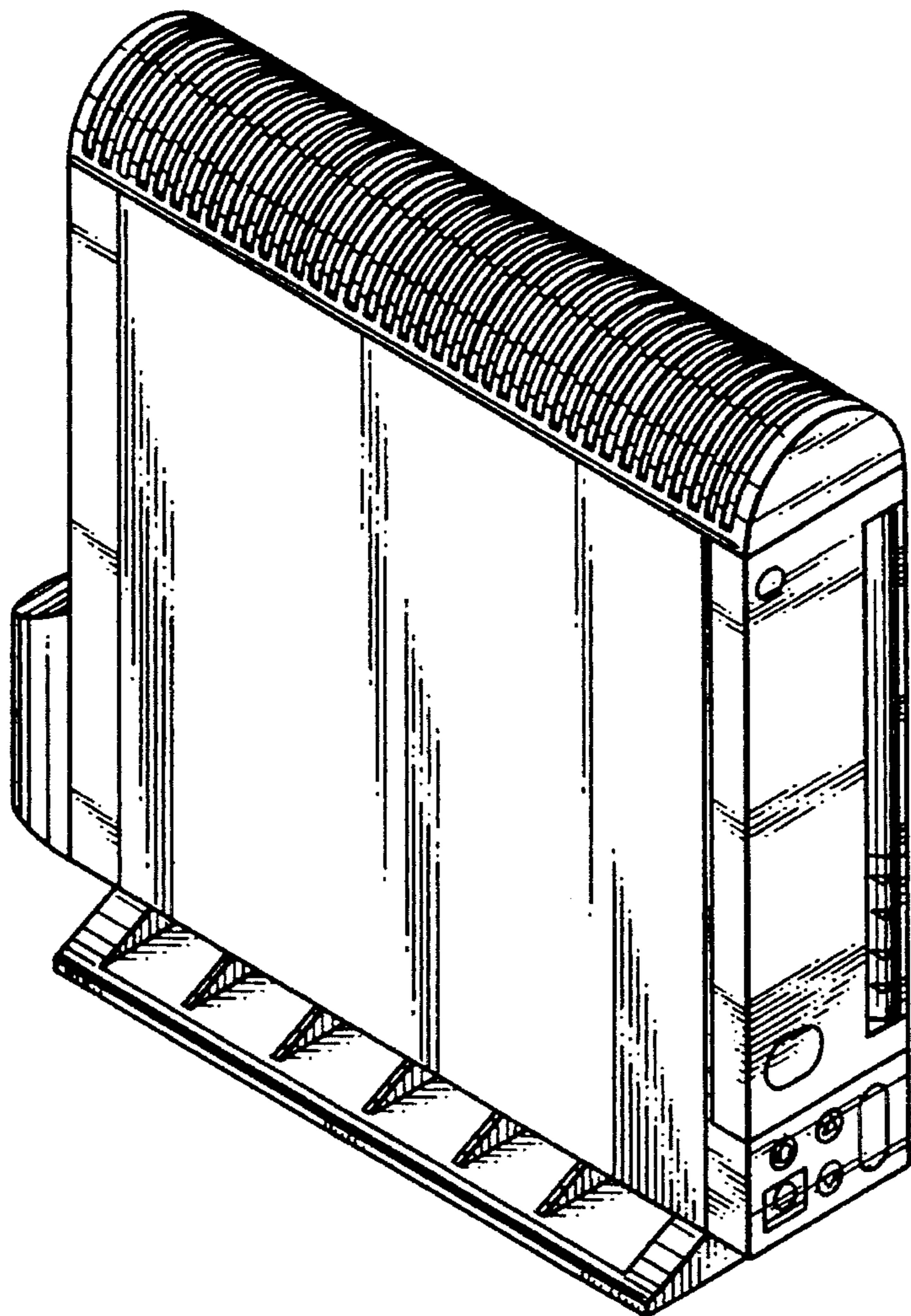
[57] **CLAIM**

The ornamental design for a controller unit, as shown and described.

DESCRIPTION

FIG. 1 is a front, top and side perspective view of a controller unit according to the present invention;
FIG. 2 is a right side elevational view thereof;
FIG. 3 is a left side elevational view thereof;
FIG. 4 is a top plan view thereof;
FIG. 5 is a bottom plan view thereof;
FIG. 6 is a rear elevational view thereof; and,
FIG. 7 is a front elevational view thereof.

1 Claim, 3 Drawing Sheets



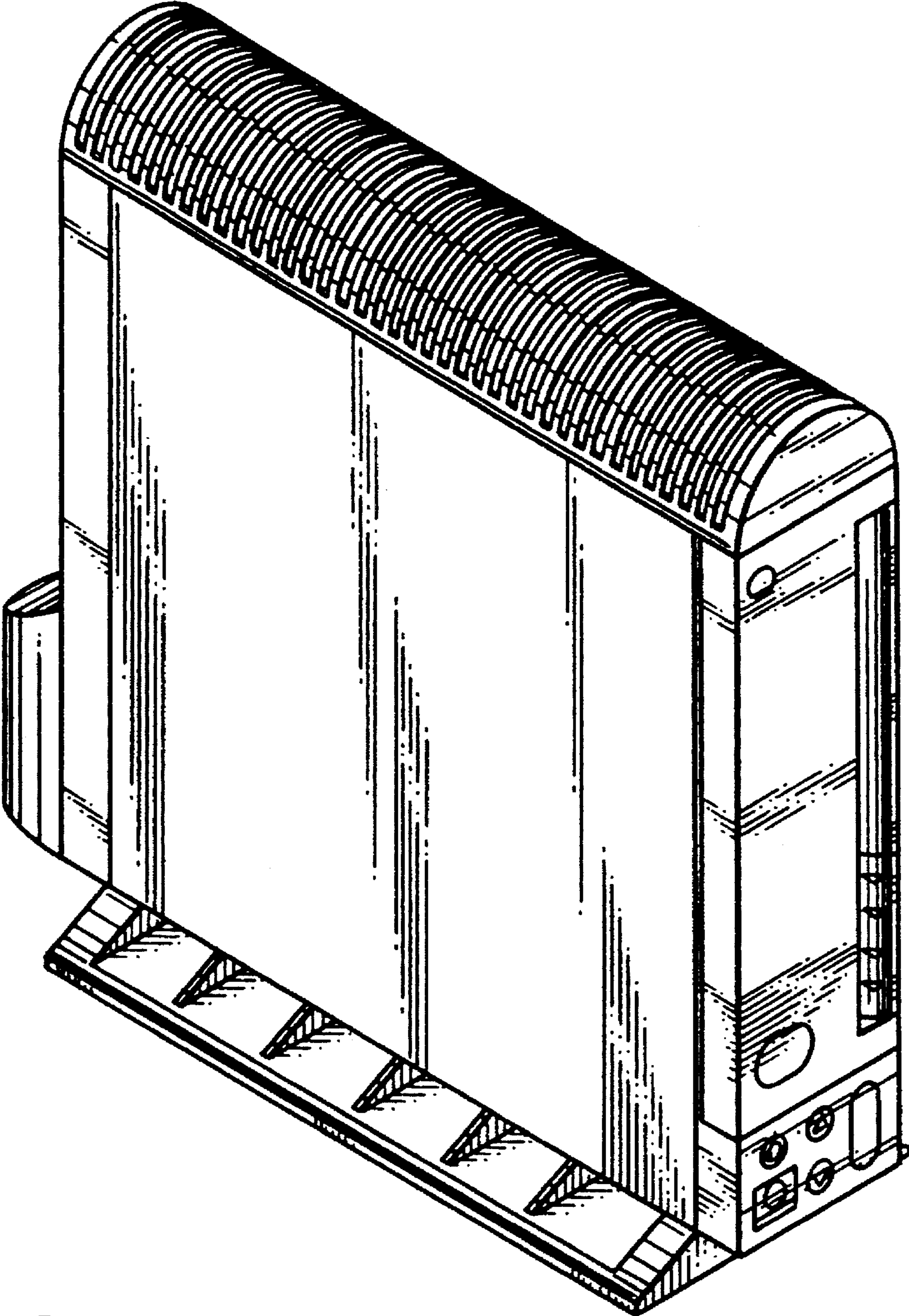


Fig. 1

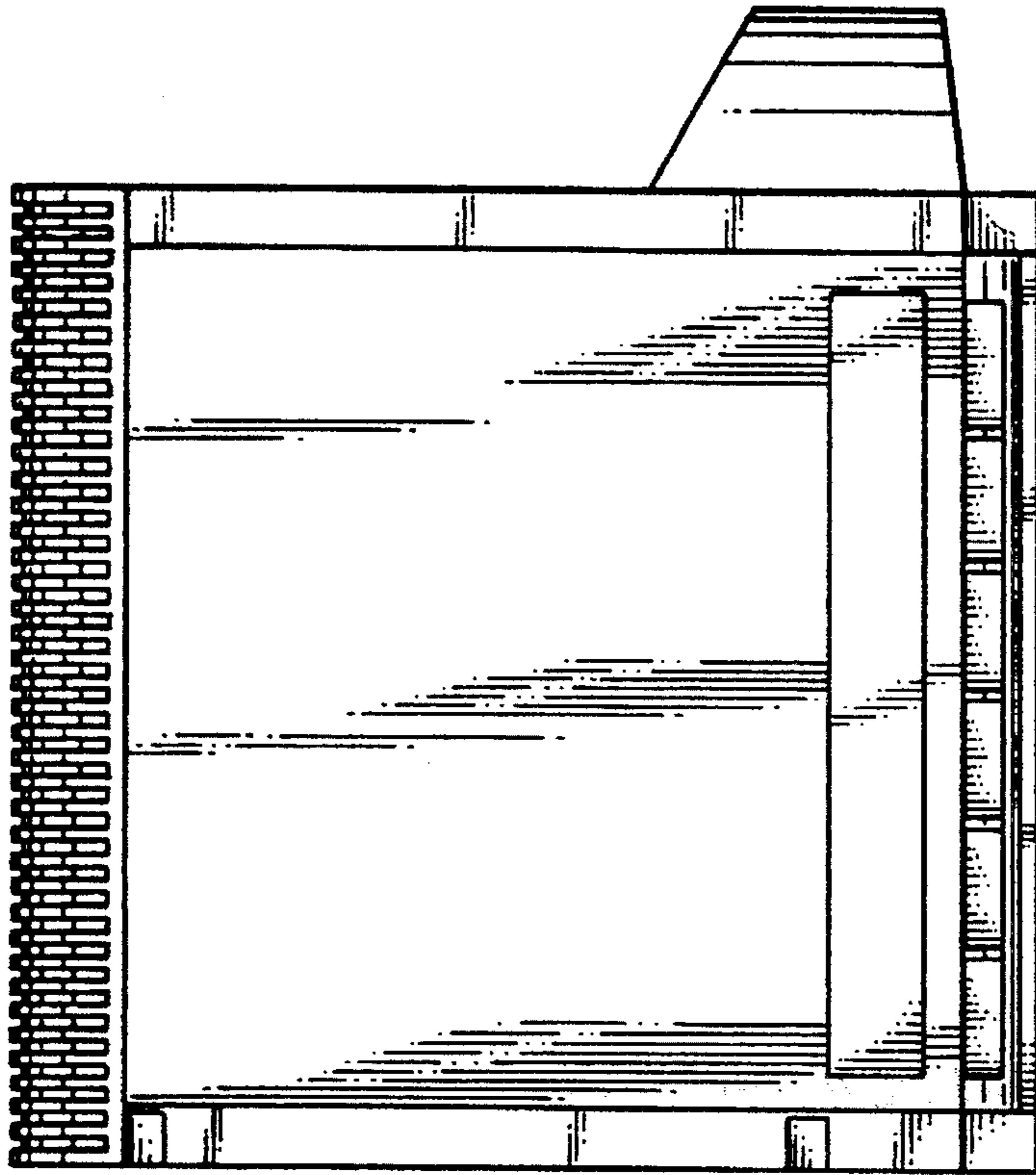


Fig. 3

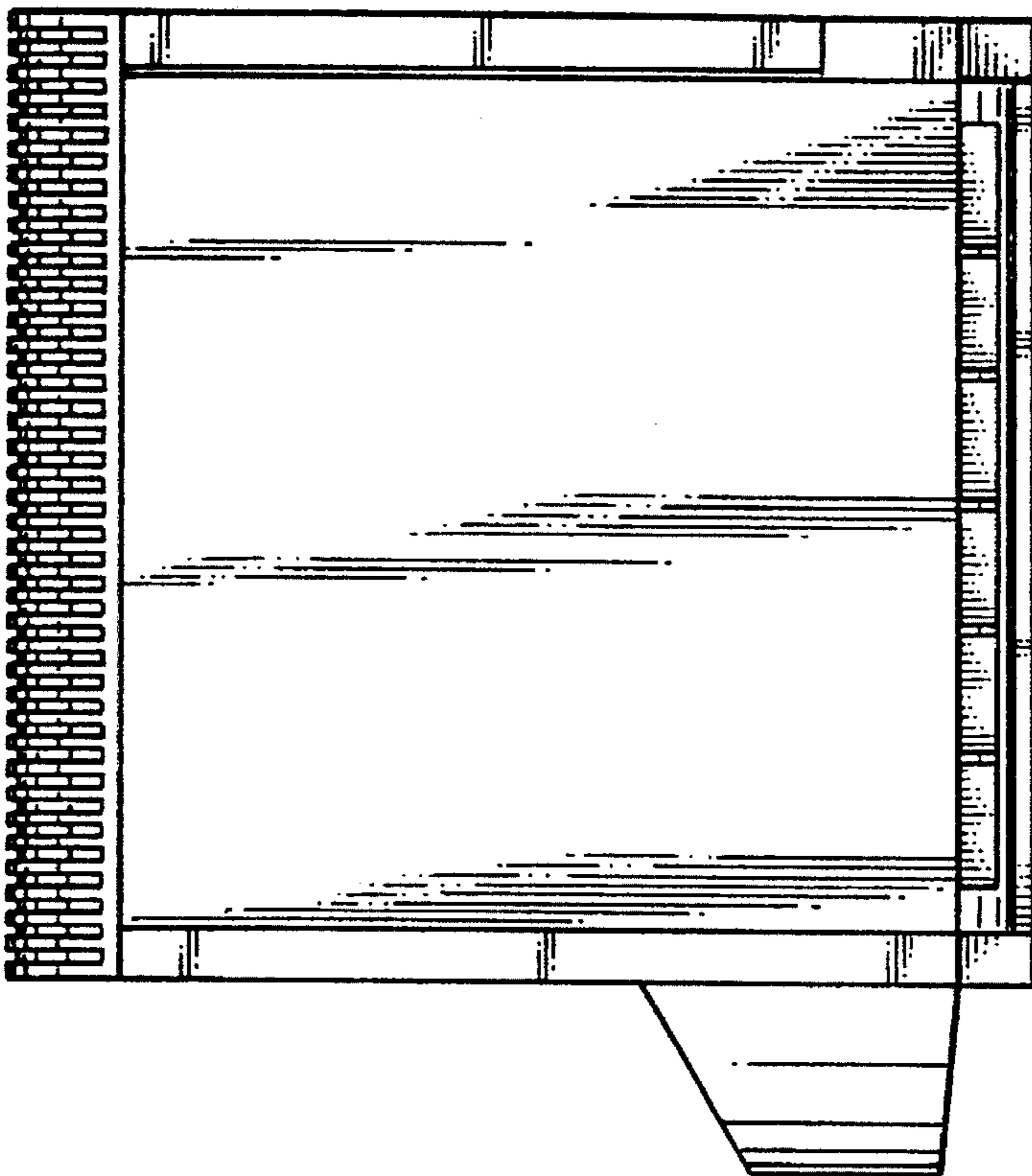


Fig. 2

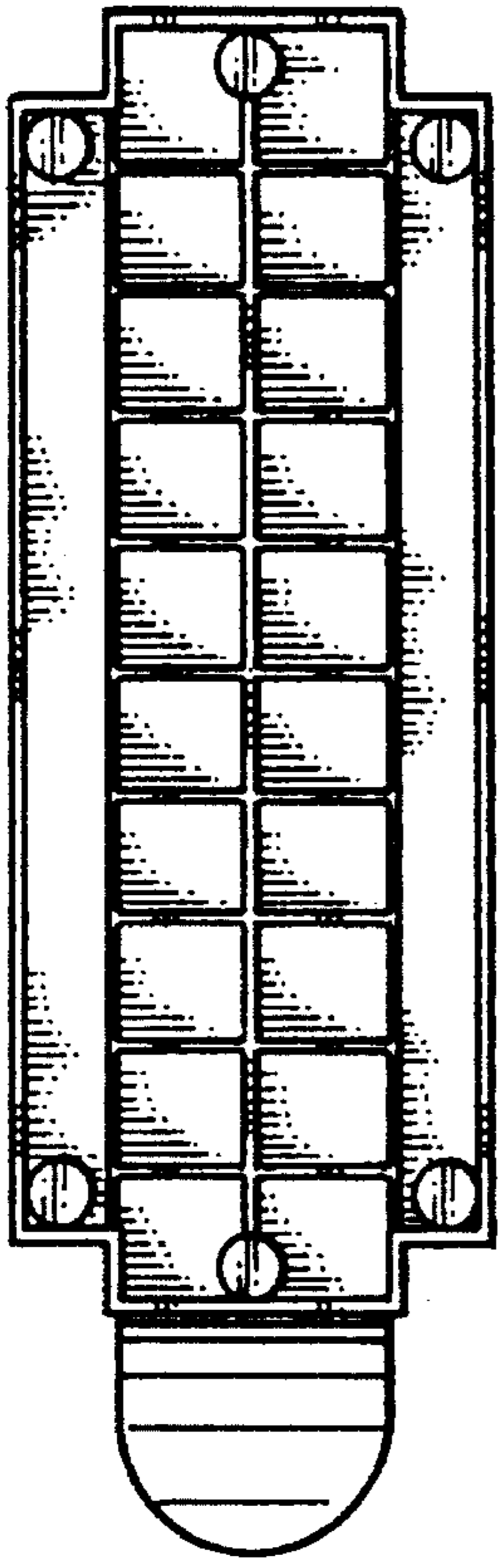


Fig. 5

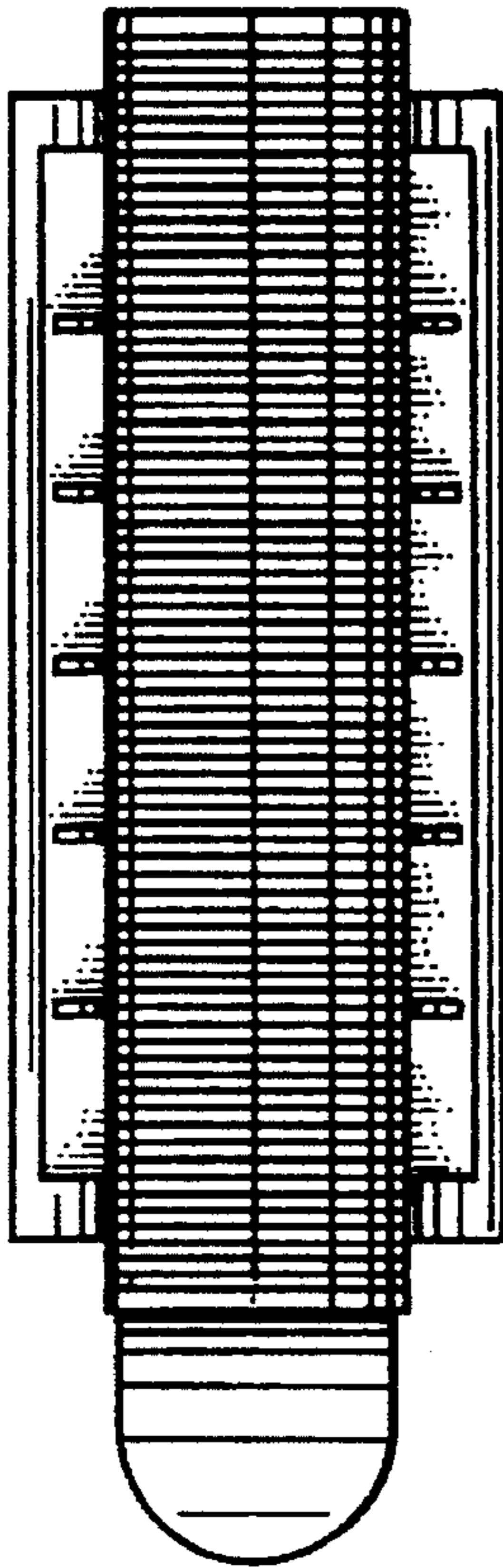


Fig. 4

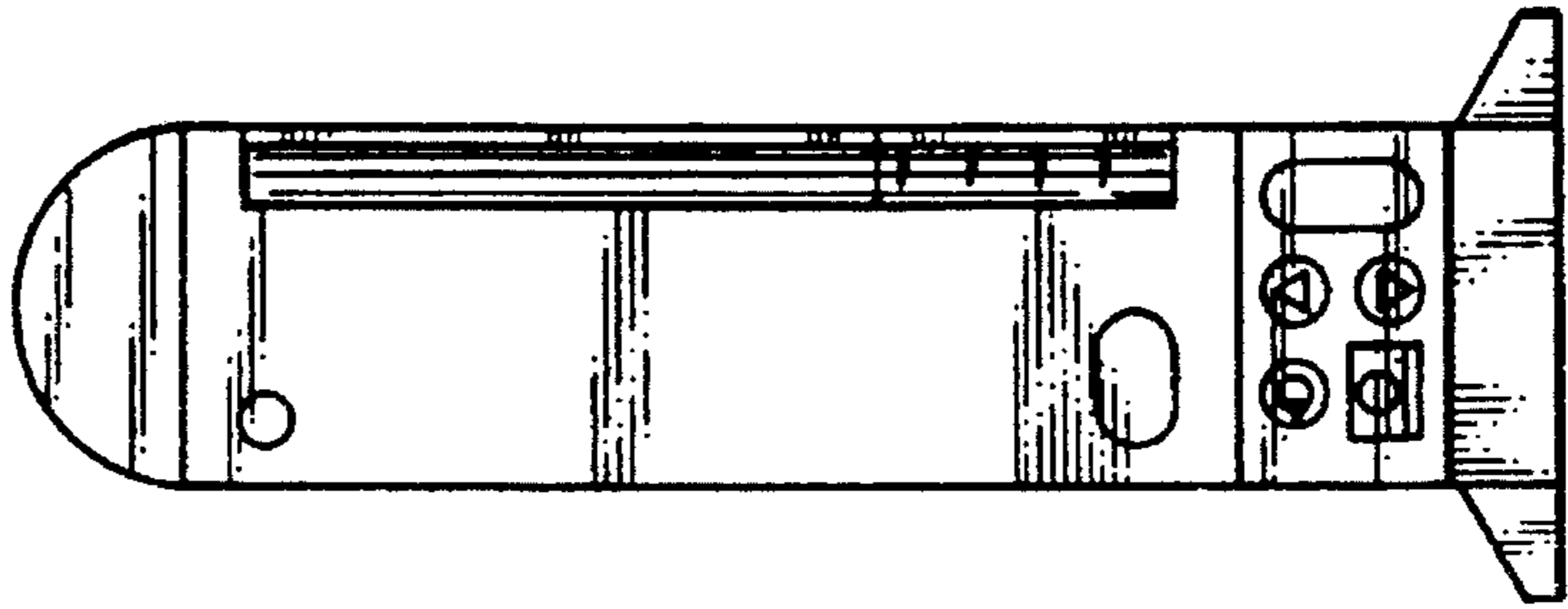


Fig. 7

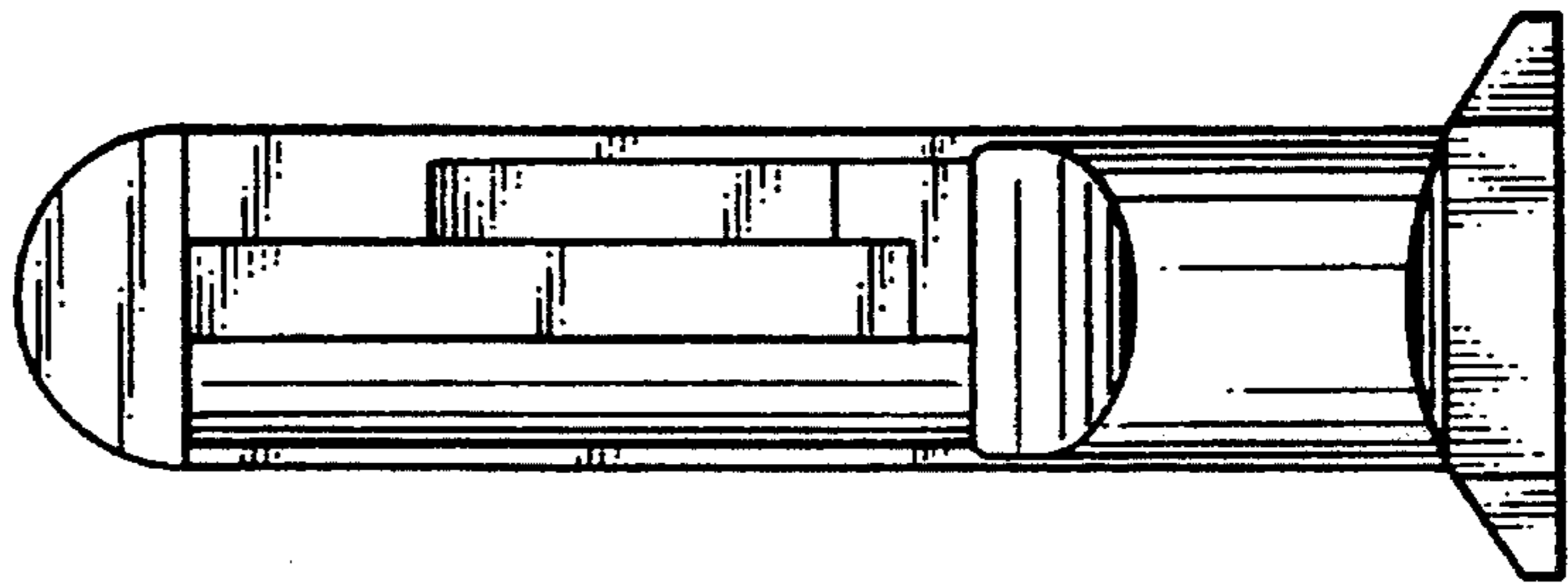


Fig. 6