



US00D369343S

United States Patent [19]
Bliven

[11] **Patent Number: Des. 369,343**

[45] **Date of Patent: **Apr. 30, 1996**

[54] **BATTERY CHARGER**

[75] Inventor: **Robert P. Bliven**, Corvallis, Oreg.

[73] Assignee: **Hewlett-Packard Company**, Palo Alto, Calif.

[**] Term: **14 Years**

[21] Appl. No.: **30,646**

[22] Filed: **Nov. 4, 1994**

[52] **U.S. Cl.** **D13/108**

[58] **Field of Search** D13/107, 108;
320/2, 3, 4, 15

[56] **References Cited**

U.S. PATENT DOCUMENTS

- D. 337,986 8/1993 Brunner et al. D13/108
- D. 351,133 10/1994 Jungels-Butler et al. D13/108
- D. 353,131 12/1994 Nagele D13/108 X

FOREIGN PATENT DOCUMENTS

- 74033 3/1989 Japan 320/2

Primary Examiner—Joel Sincavage
Attorney, Agent, or Firm—Curtis G. Rose

[57] **CLAIM**

The ornamental design for a battery charger, as shown and described.

DESCRIPTION

FIG. 1 is a perspective view of a battery charger showing my new design;

The broken line showing of the battery is included for the purpose of illustrating environmental structure only and forms no part of the claimed design;

FIG. 2 is a top plan view thereof;

FIG. 3 is a bottom plan view thereof;

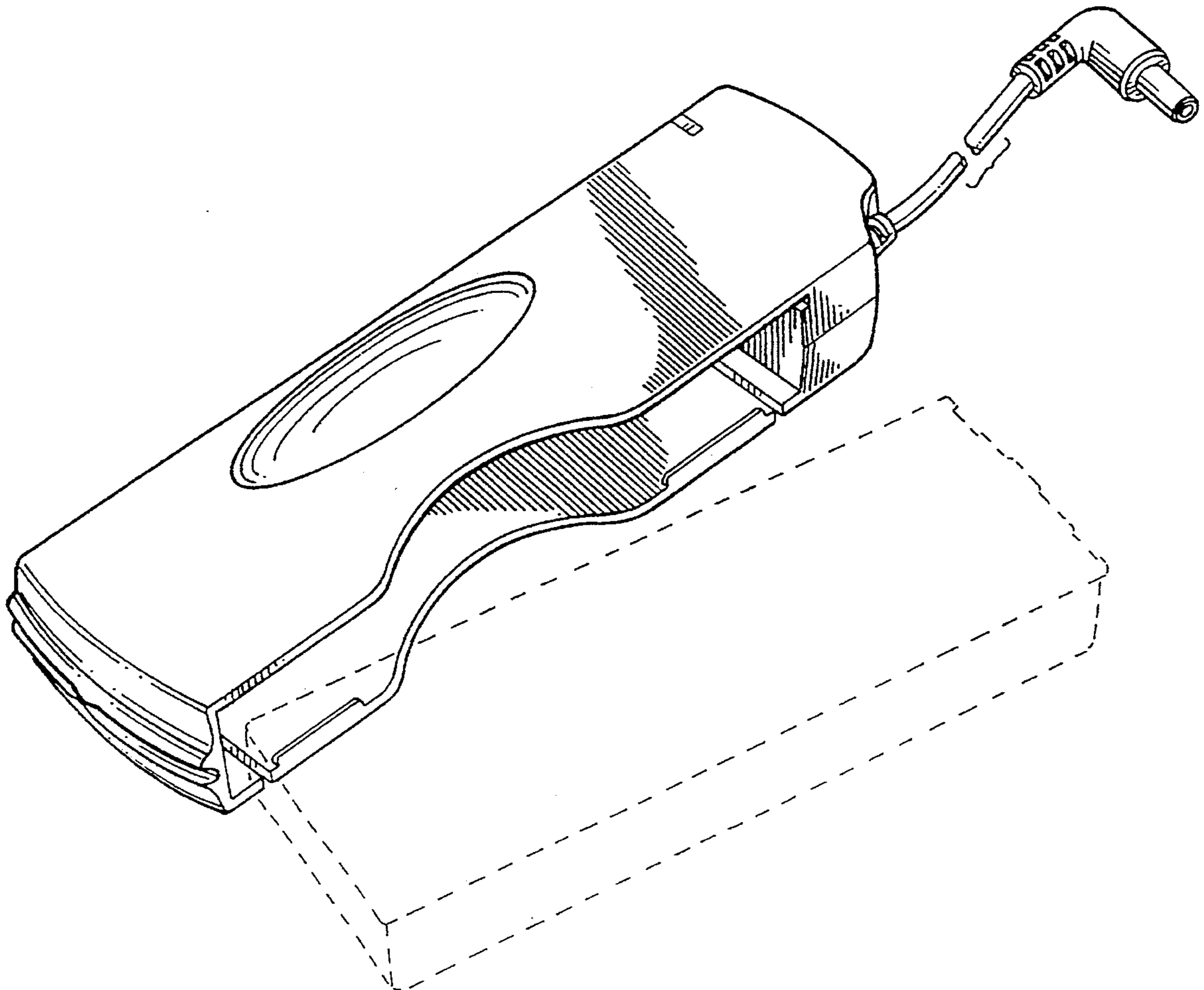
FIG. 4 is a front elevational view thereof;

FIG. 5 is a back elevational view thereof;

FIG. 6 is a right side elevational view thereof, shown minus the cord for purpose of clarity; and,

FIG. 7 is a left side elevational view thereof.

1 Claim, 5 Drawing Sheets



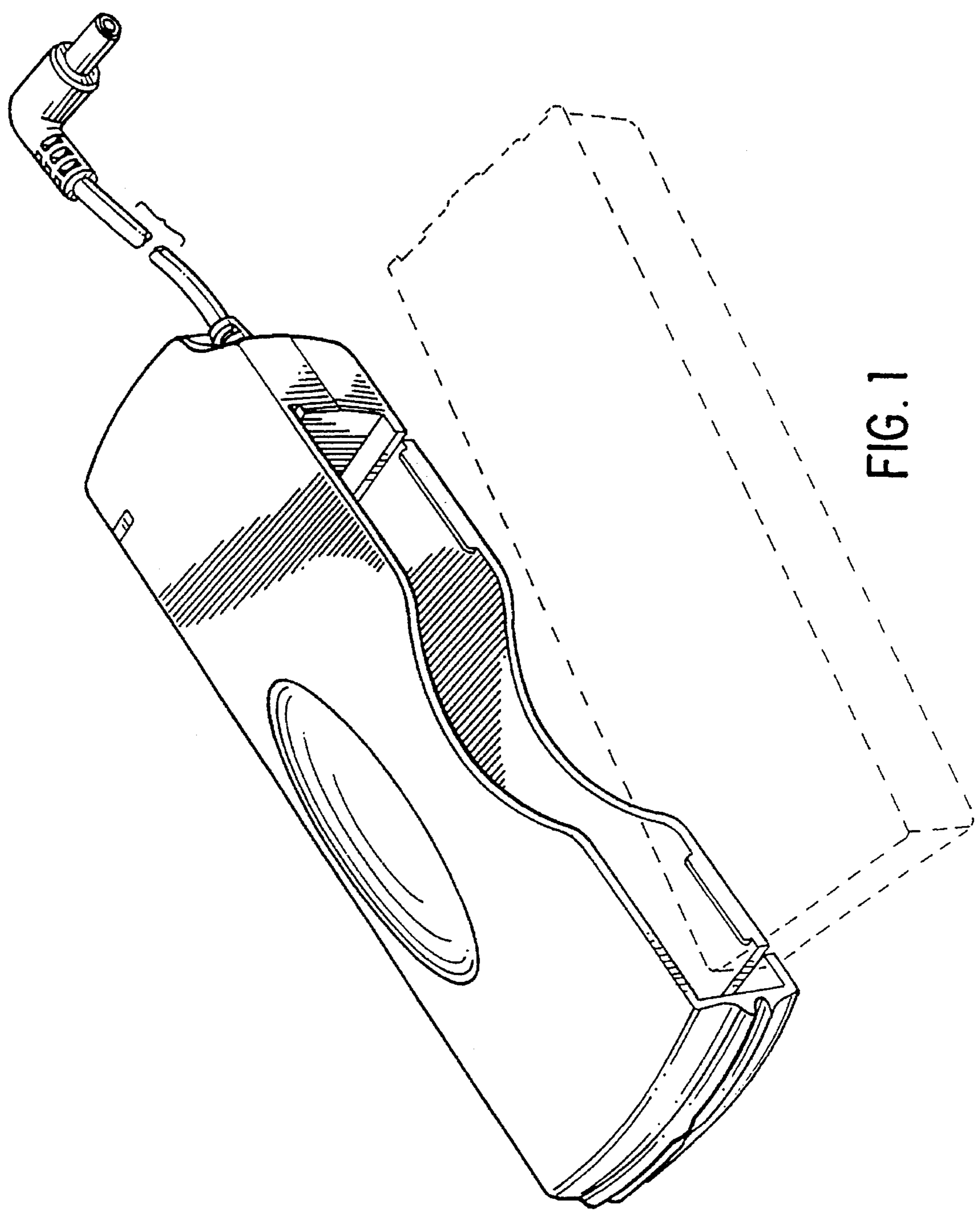


FIG. 1

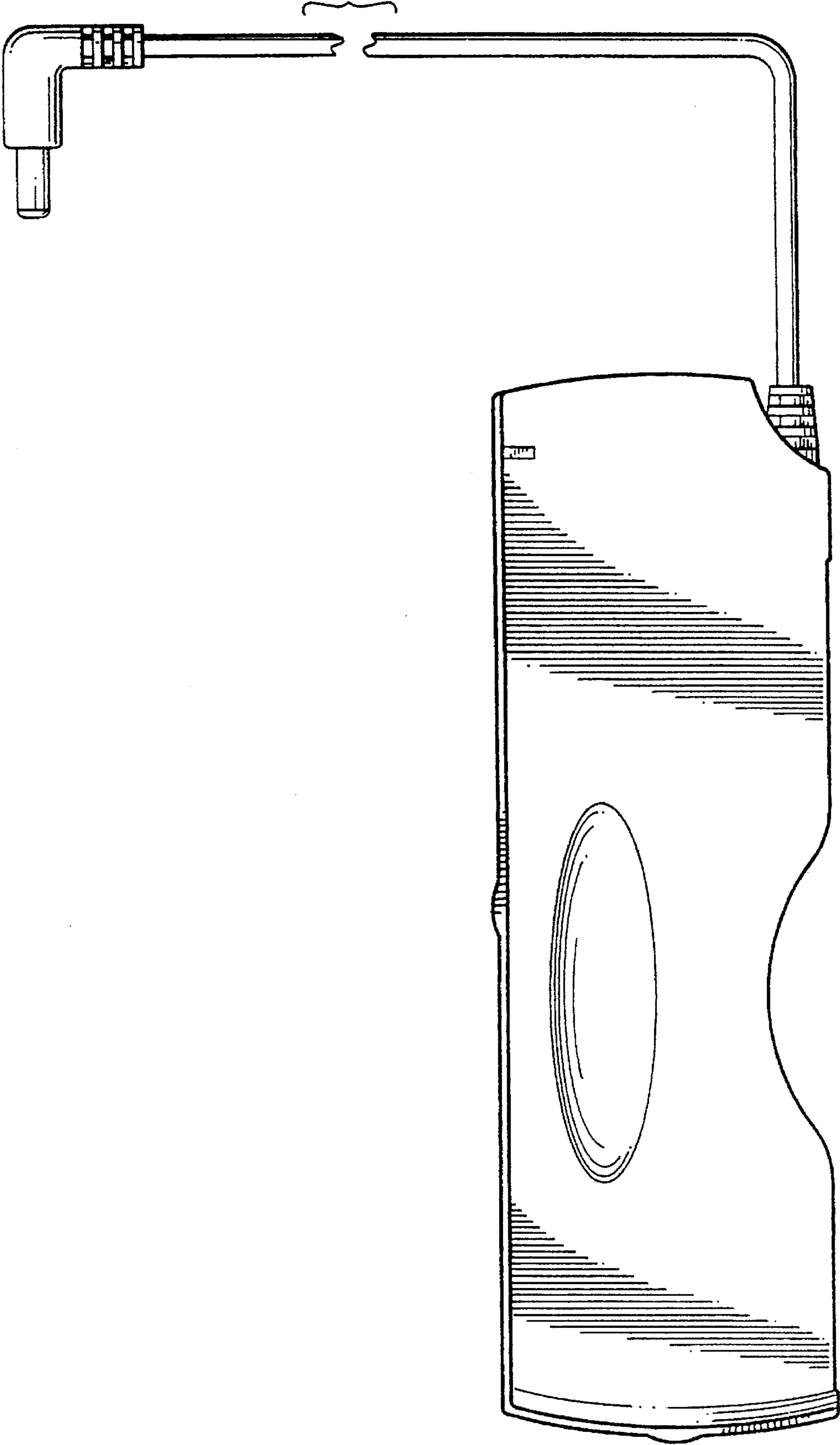


FIG. 2

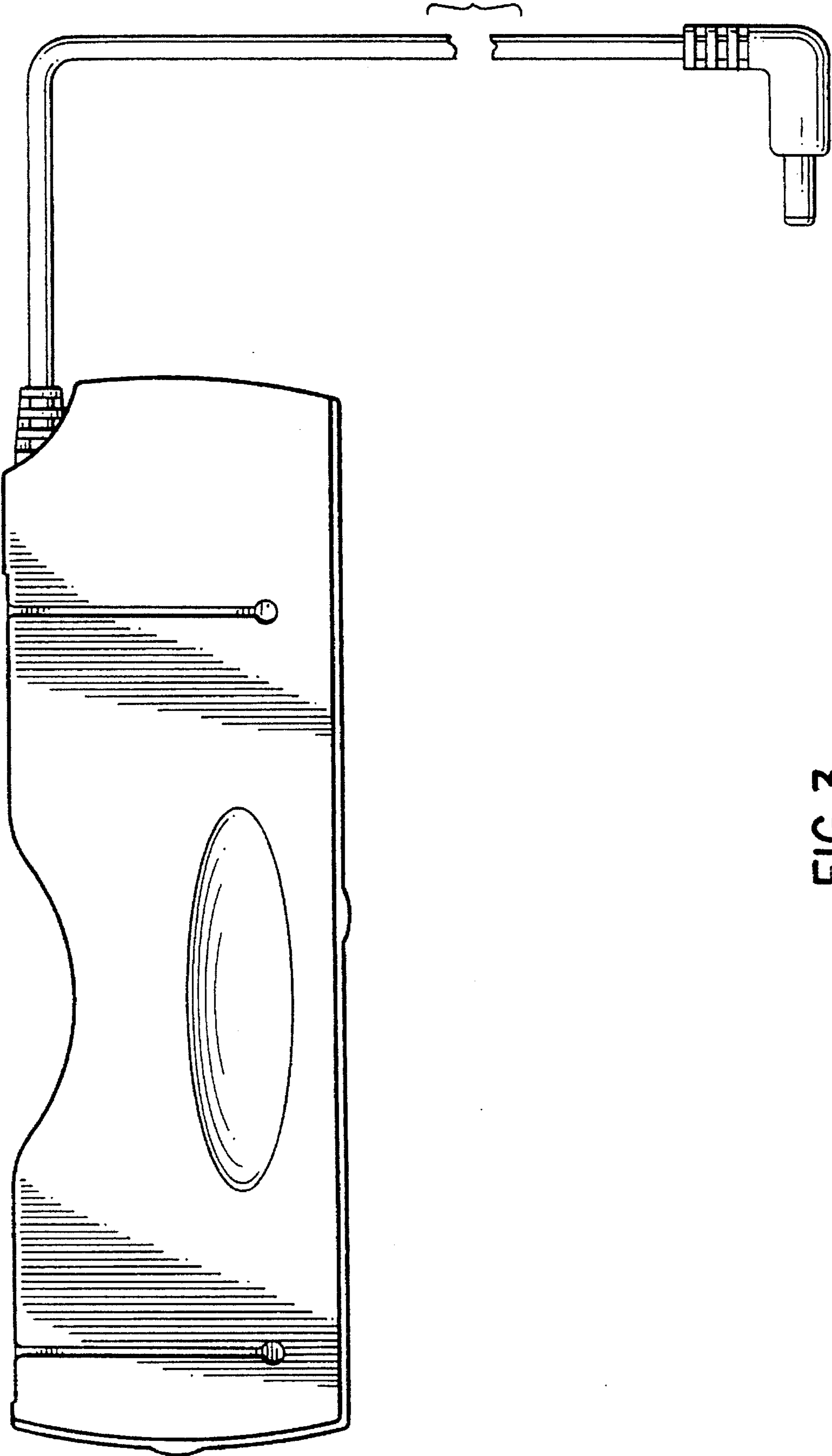


FIG. 3

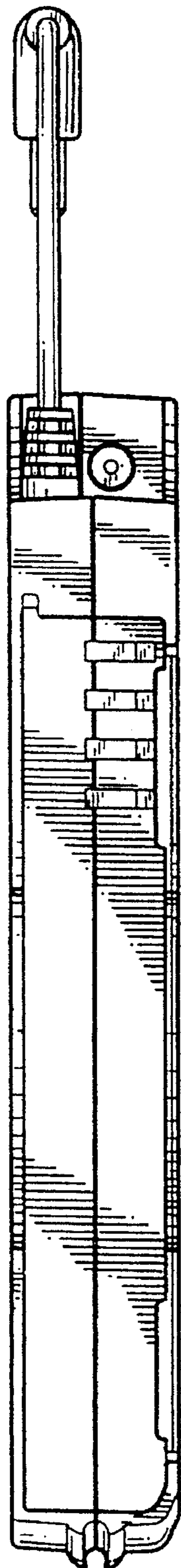


FIG. 4

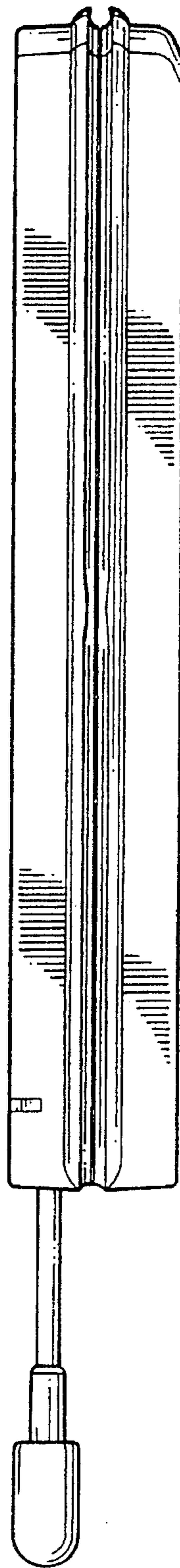


FIG. 5

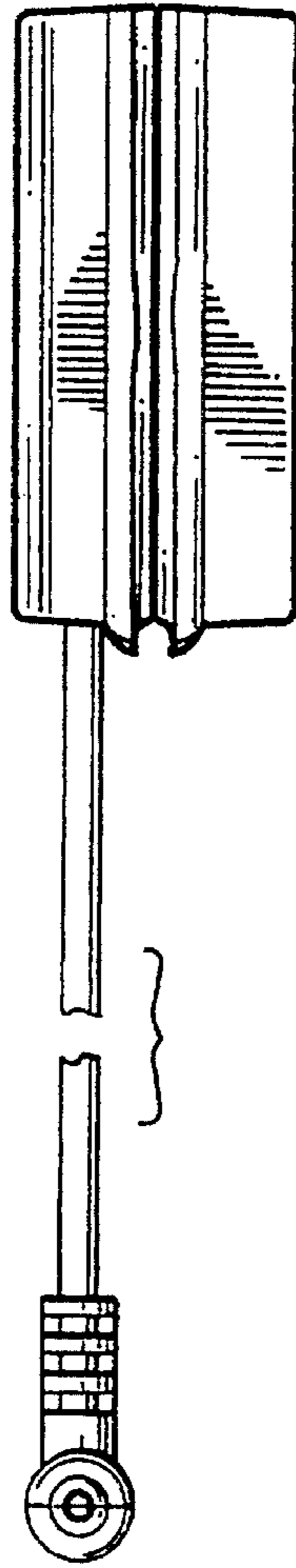


FIG. 7



FIG. 6