



US00D369341S

United States Patent [19]

[11] Patent Number: **Des. 369,341**

Davidson

[45] Date of Patent: ****Apr. 30, 1996**

[54] **VEHICLE ARM REST**

[76] Inventor: **Charles T. Davidson**, 2633 Montclair La., Mesquite, Tex. 75150-1123

[**] Term: **14 Years**

[21] Appl. No.: **20,465**

[22] Filed: **Mar. 28, 1994**

[52] U.S. Cl. **D12/421**

[58] Field of Search D12/421; 296/63, 296/64, 153; 297/411, 414, 422, 416, 417; D25/119, 120, 136, 164; D8/16

4,890,878	1/1990	Harary et al.	296/153
4,950,023	8/1990	Waller et al.	296/153
4,982,921	1/1991	Sanders	296/153
5,004,292	4/1991	Horne	296/153
5,010,996	4/1991	Washburn	296/153
5,112,094	5/1992	Kribs	296/37.8
5,205,606	4/1993	Cassese	296/153

Primary Examiner—A. Hugo Word

Assistant Examiner—M. Brown

Attorney, Agent, or Firm—Larry L. Uland

[57] **CLAIM**

The ornamental design for a vehicle arm rest, as shown and described.

[56] **References Cited**

U.S. PATENT DOCUMENTS

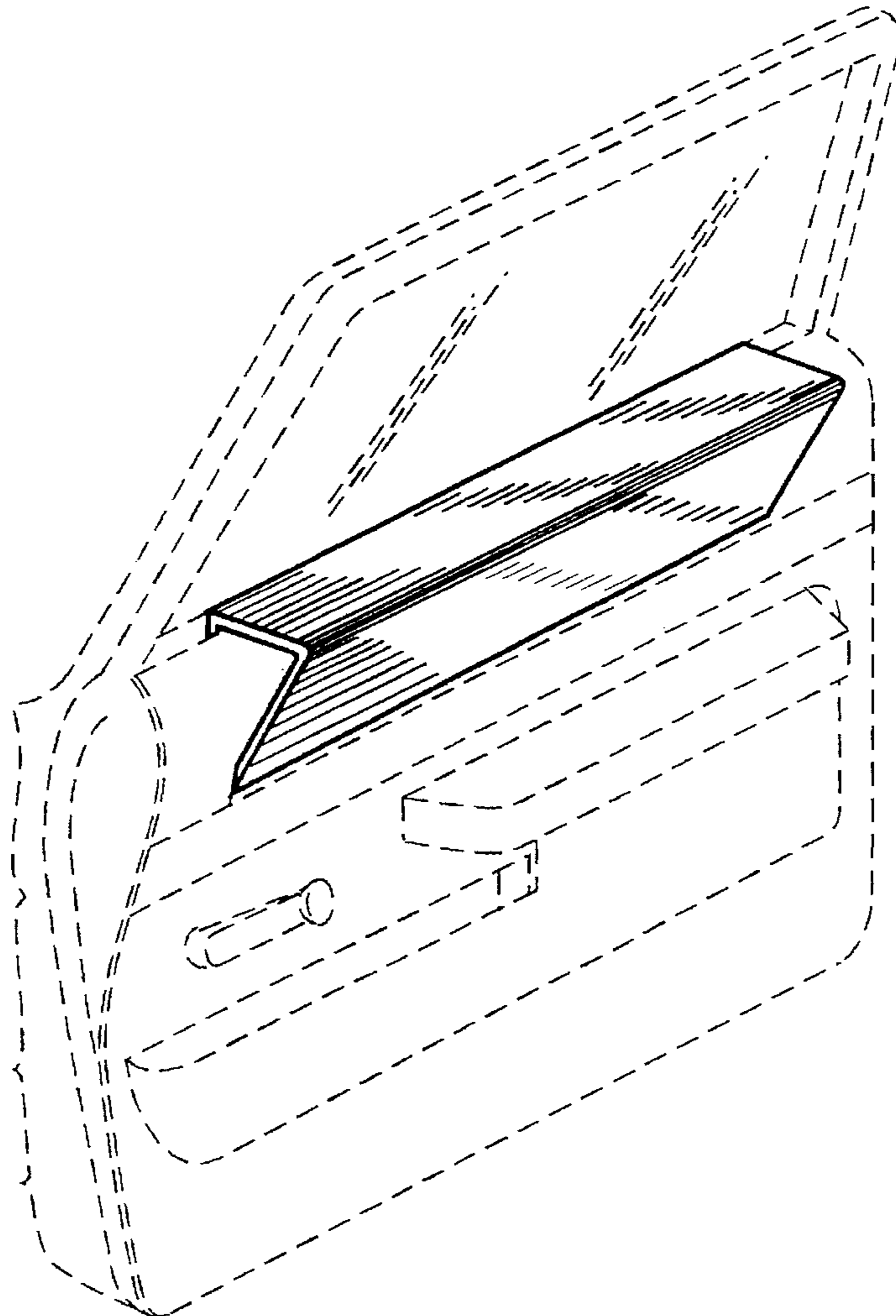
D. 316,535	4/1991	Fenn	D12/400
D. 339,641	9/1993	Leustedt et al.	D25/119
D. 349,351	8/1994	Enyler	D25/58
3,451,717	6/1969	Carter	296/153
4,159,148	6/1979	Schulz	297/417
4,545,619	10/1985	Garay	297/416
4,730,867	3/1988	Cluba	296/153
4,810,026	3/1989	Doane	296/153

DESCRIPTION

FIG. 1 is a top and front perspective view of a vehicle arm rest showing my new design, the broken lines are for illustrative purposes only and form no part of the claimed design;

FIG. 2 is a top and front perspective view thereof; and, FIG. 3 is a side view thereof, the opposite side being a mirror image thereof.

1 Claim, 1 Drawing Sheet



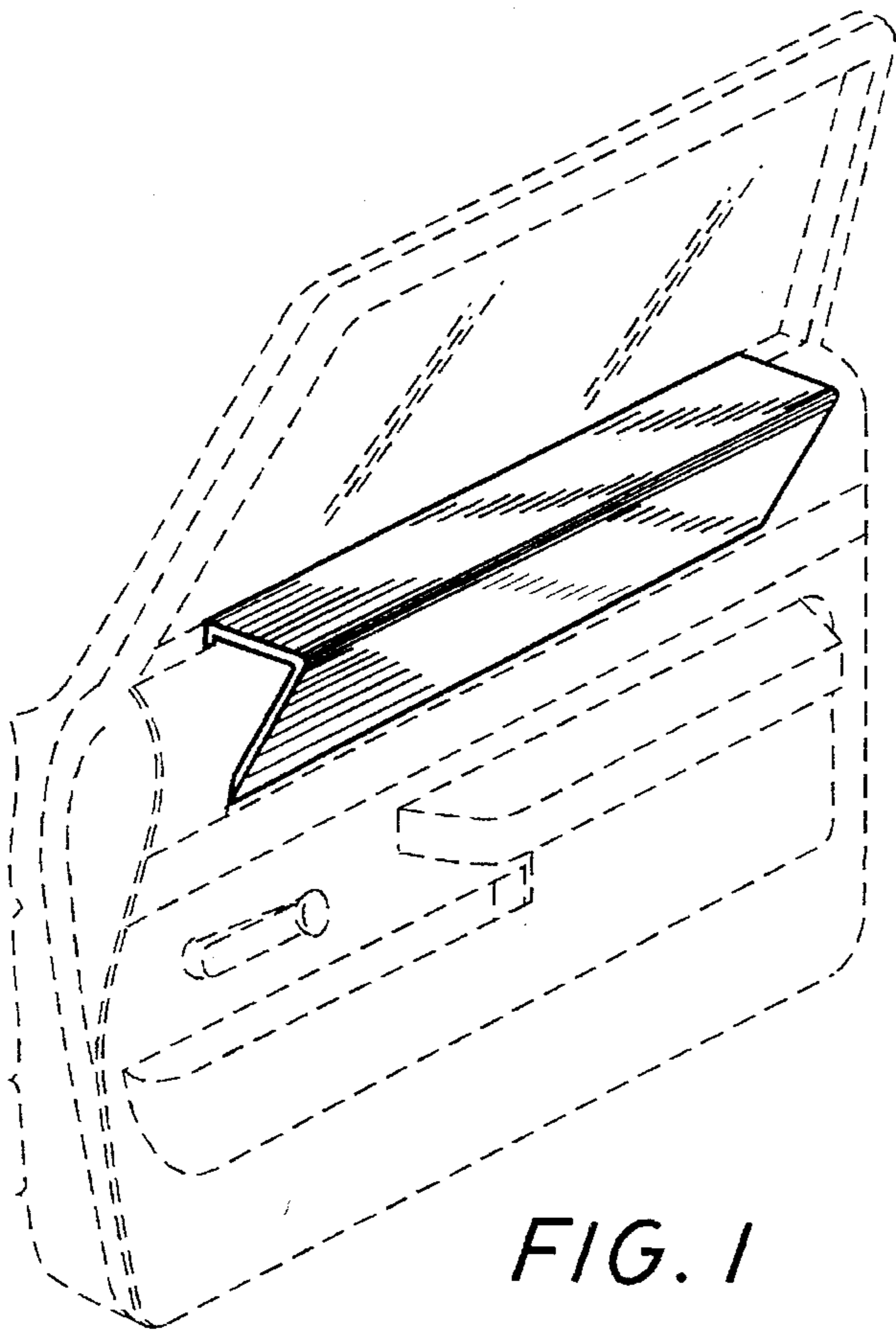


FIG. 1

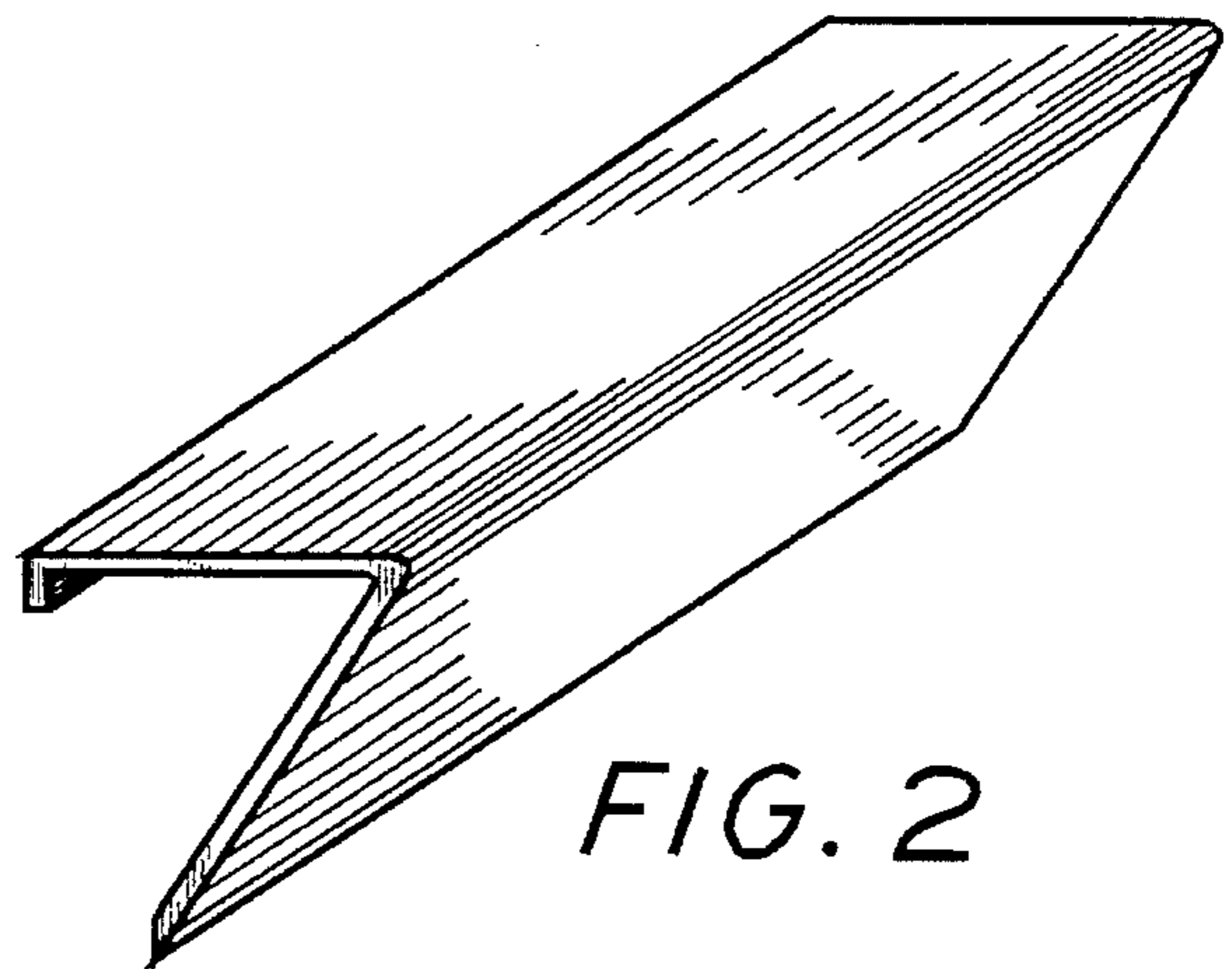


FIG. 2

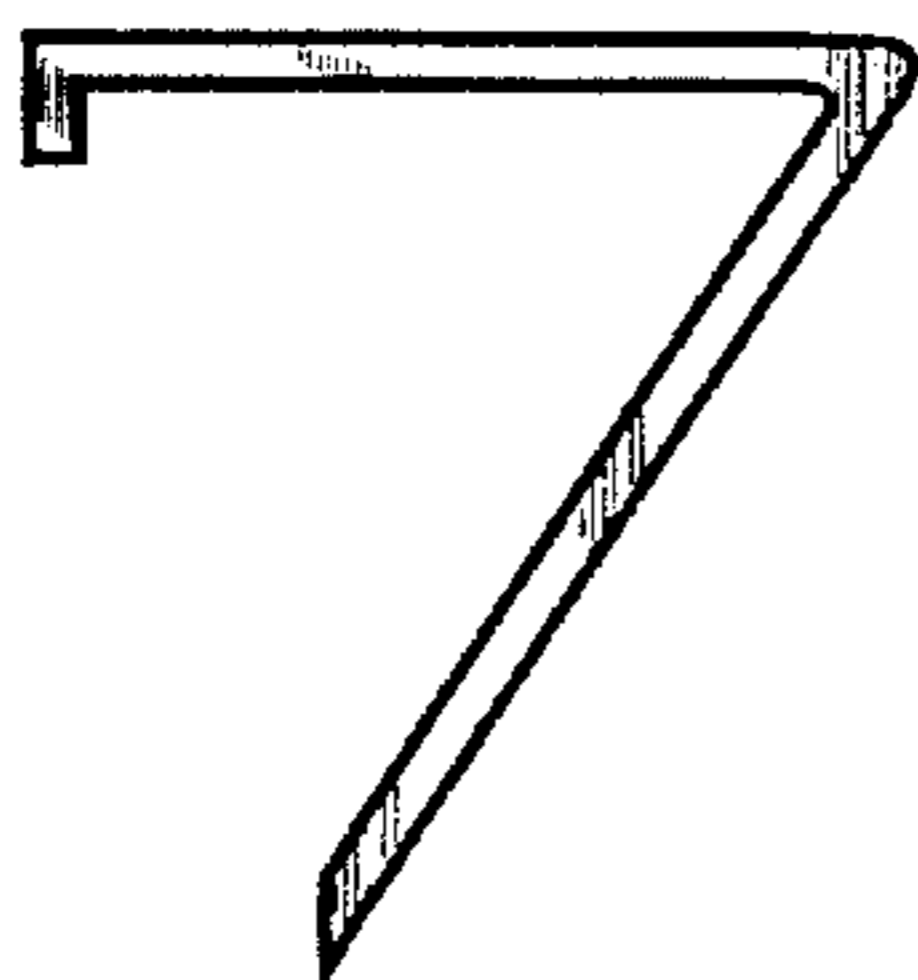


FIG. 3