



US00D369336S

# United States Patent [19]

Zemlicka et al.

[11] Patent Number: **Des. 369,336**

[45] Date of Patent: **\*\*Apr. 30, 1996**

## [54] MOTORCYCLE WHEEL HUB

[75] Inventors: **Alvin R. Zemlicka**, Elkhart Lake;  
**William H. Brown**, Menomonee Falls,  
both of Wis.

[73] Assignee: **Harley-Davidson Motor Company**,  
Milwaukee, Wis.

[\*\*] Term: **14 Years**

[21] Appl. No.: **29,472**

[22] Filed: **Oct. 6, 1994**

[52] U.S. Cl. .... **D12/207**

[58] Field of Search ..... **D12/207; 301/105.1,**  
**301/110.5**

## [56] References Cited

### U.S. PATENT DOCUMENTS

D. 338,184	8/1993	Ringle et al. ....	D12/207
D. 350,922	9/1994	Inatami .....	D12/207
492,578	2/1893	Fay .....	D12/207

### OTHER PUBLICATIONS

Harley-Davidson, Inc. Parts Catalog 1340 Models 1987, p. 58.

AMF Harley-Davidson Parts Catalog SS/SX-175/250, p. 48 1974 to 1978.

Harley Davidson All Models parts Catalog 1993/94, p. 48, p. 56.

AMF Harley-Davidson Parts Catalog Sportster 1961-1971, p. 42.

Harley-Davidson Motor Co., Inc. Parts Catalog XLH Models 1986, p. 38.

Harley-Davidson, Inc. Parts Catalog FL Models 1941-1984, pp. 122, 124, 264.

*Primary Examiner*—Marcus A. Jackson

*Attorney, Agent, or Firm*—Michael, Best & Friedrich

## [57] CLAIM

The ornamental design for a motorcycle wheel hub, as shown and described.

## DESCRIPTION

FIG. 1 is a perspective view illustrating the environment for a motorcycle wheel hub according to our invention, with the broken lines for illustrative purposes only and forming no part of the claimed design;

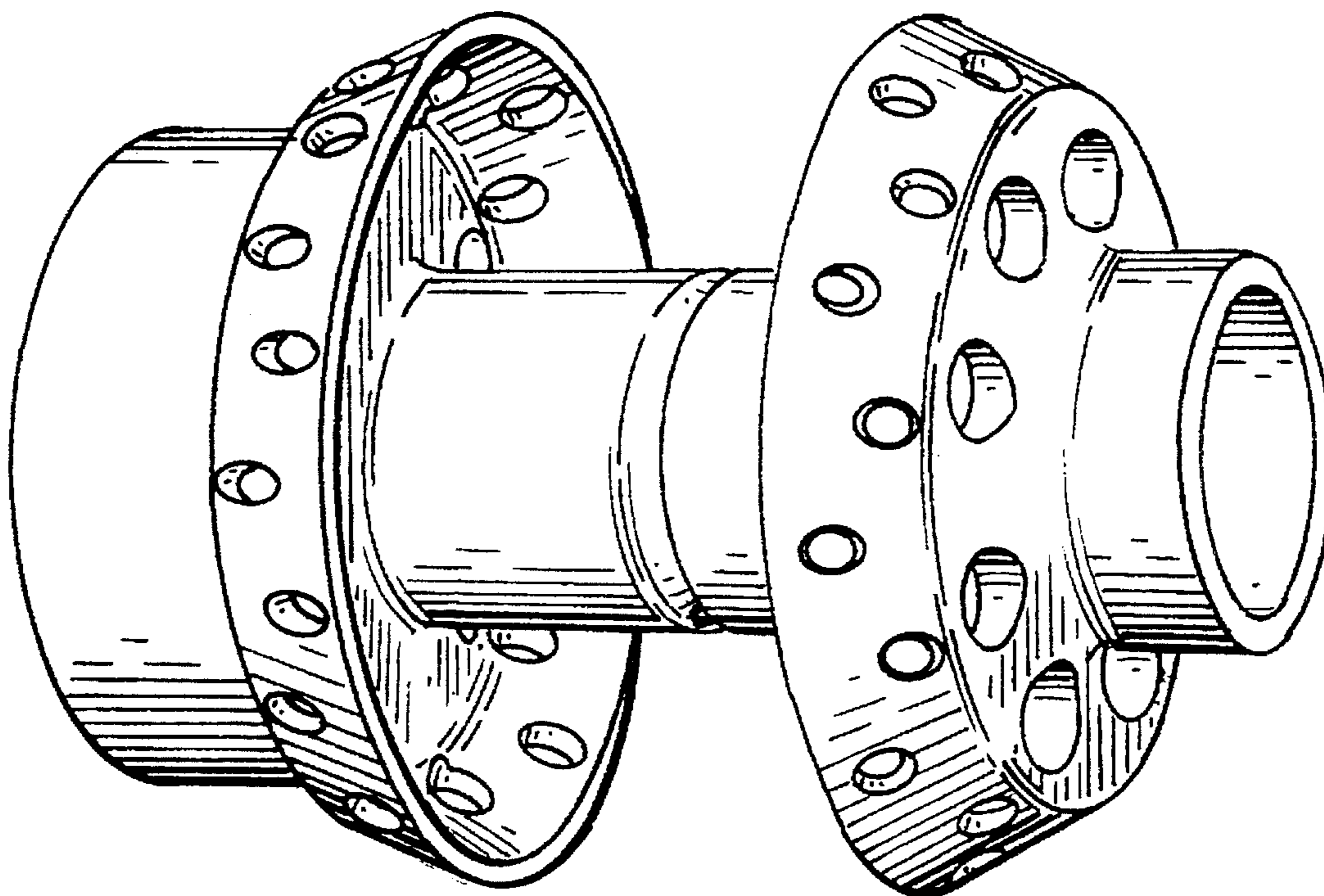
FIG. 2 is an enlarged perspective view of a motorcycle wheel hub according to the invention;

FIG. 3 is a right end view thereof;

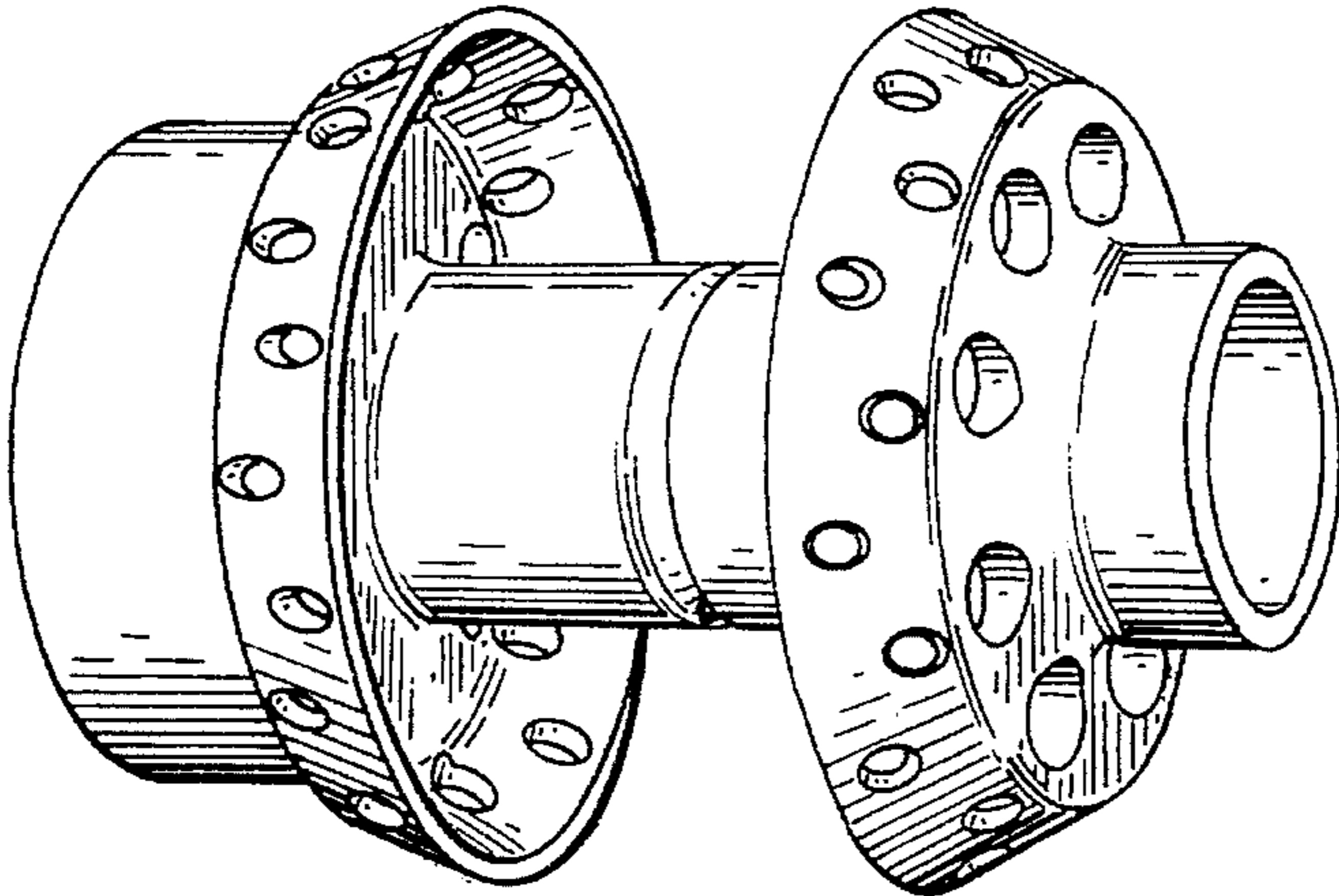
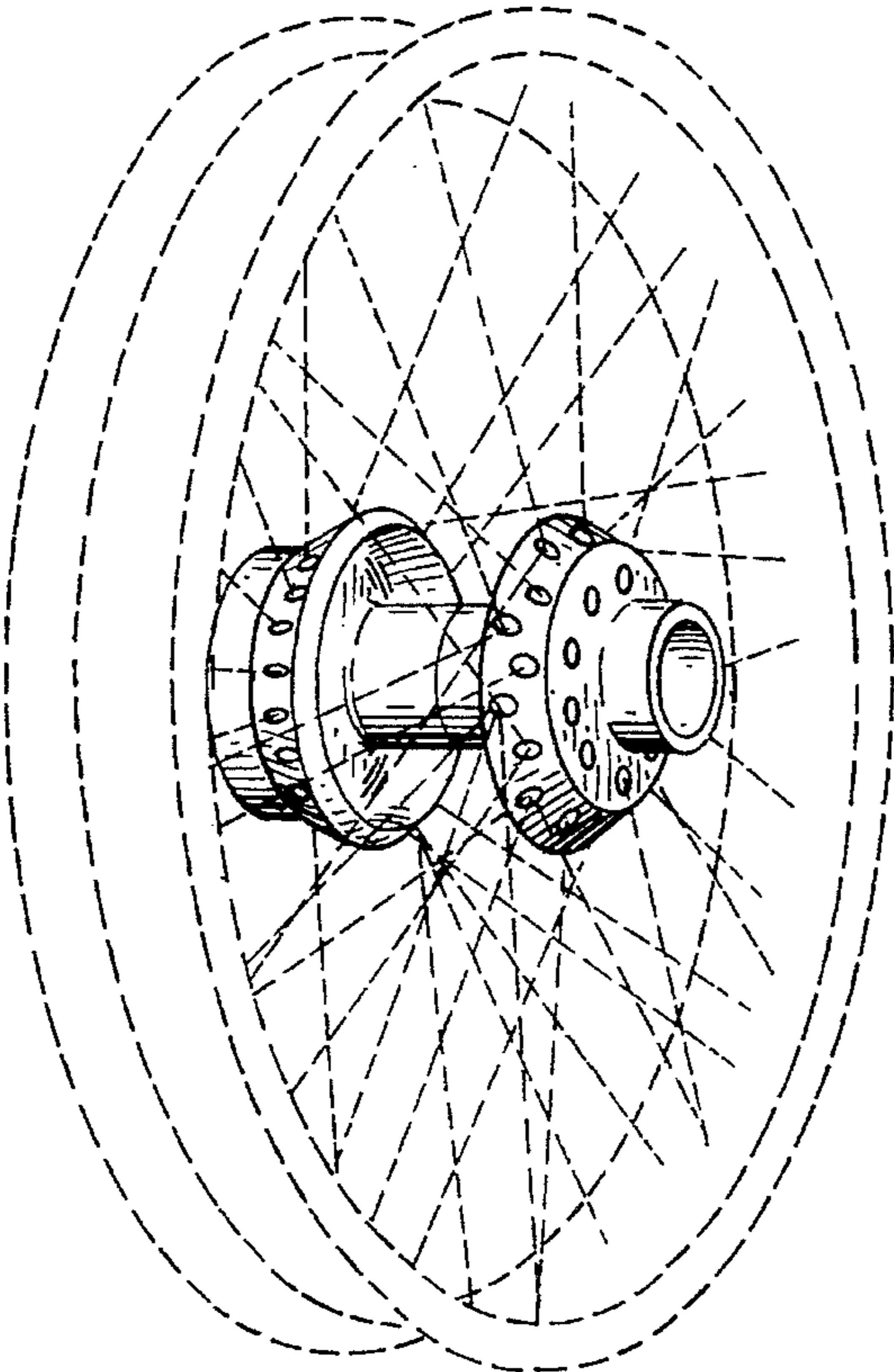
FIG. 4 is a left end view thereof; and,

FIG. 5 is a side view thereof, the opposite side, top and bottom views thereof being identical.

1 Claim, 2 Drawing Sheets

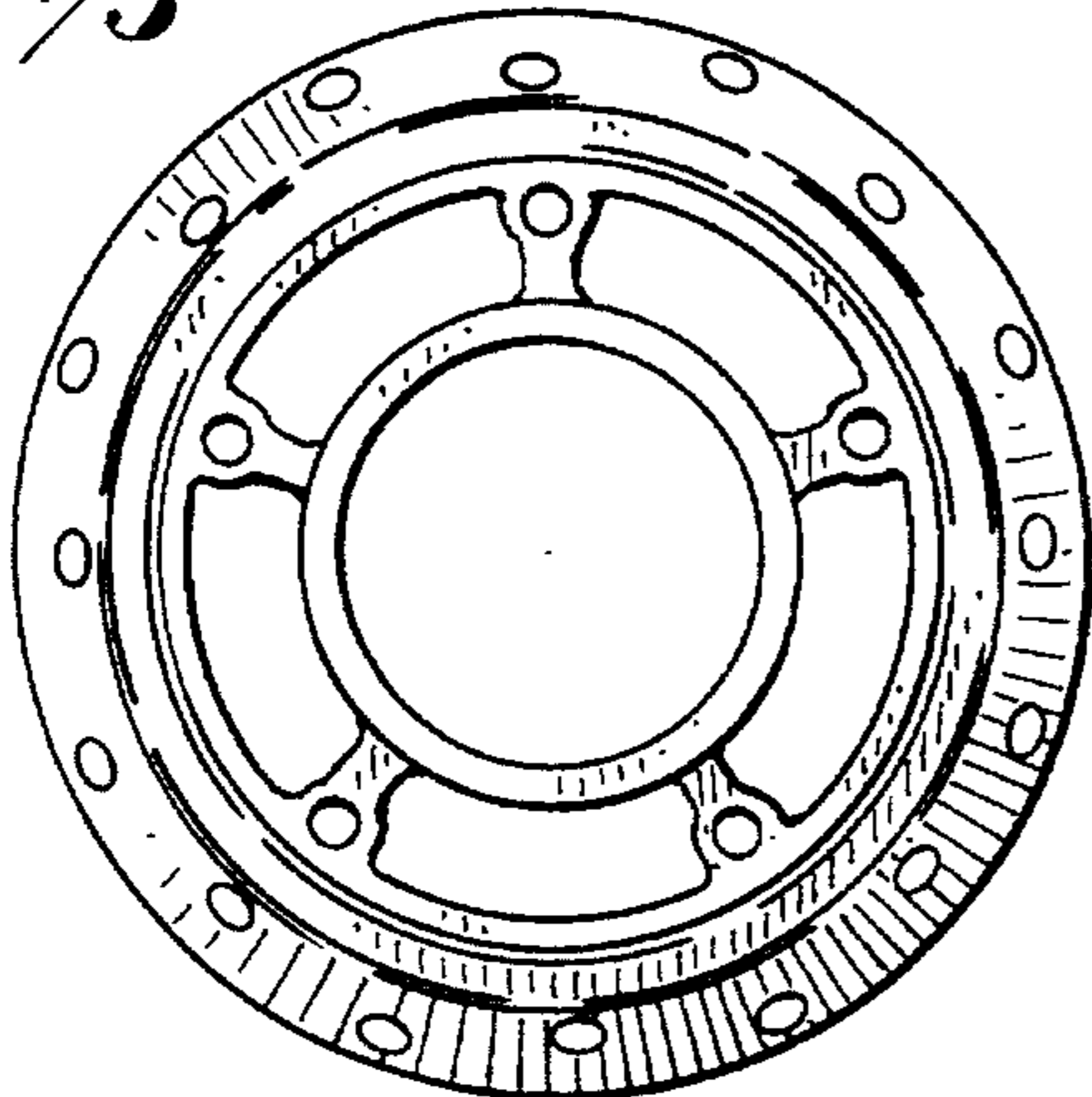


*Fig. 1*

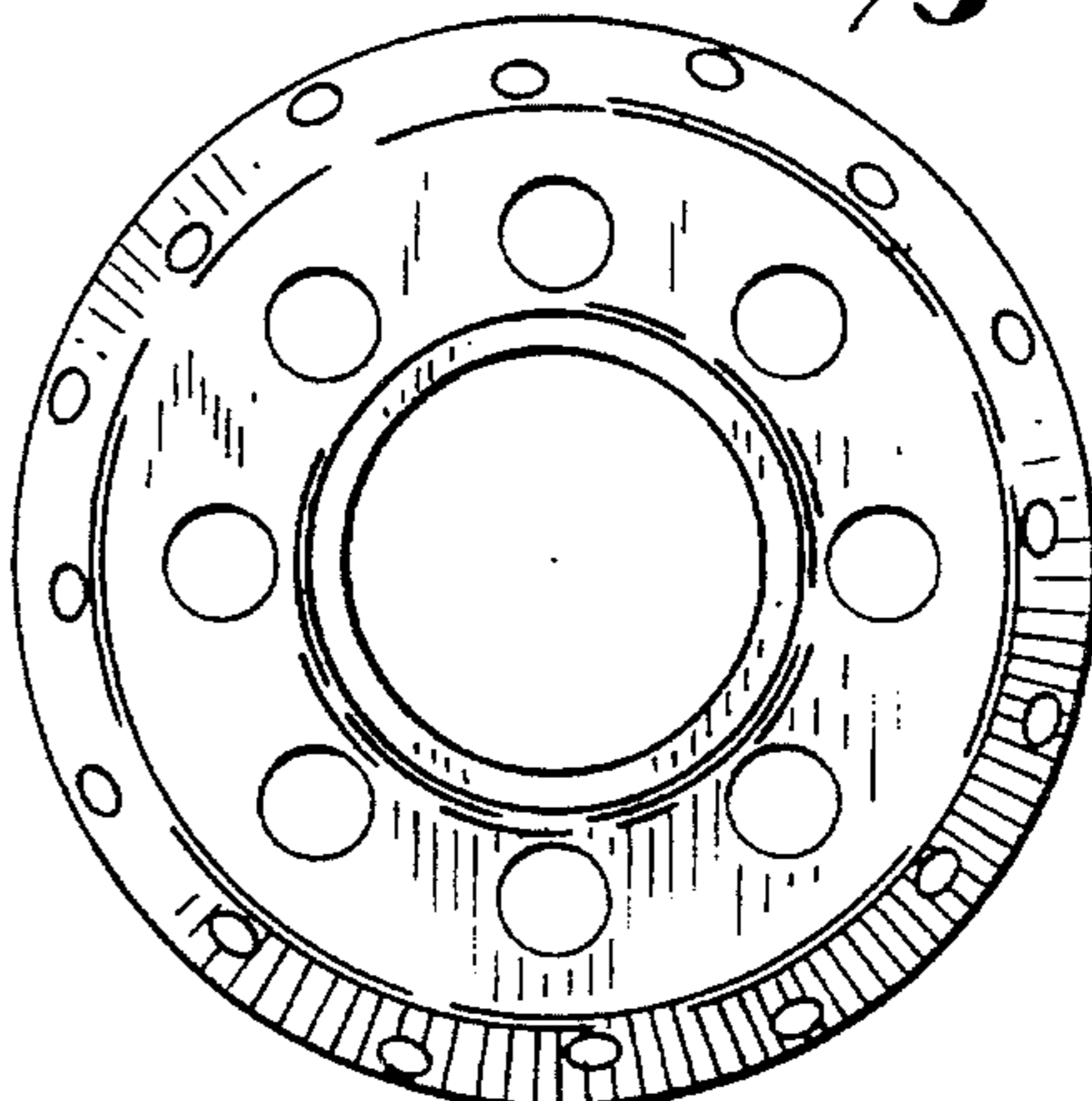


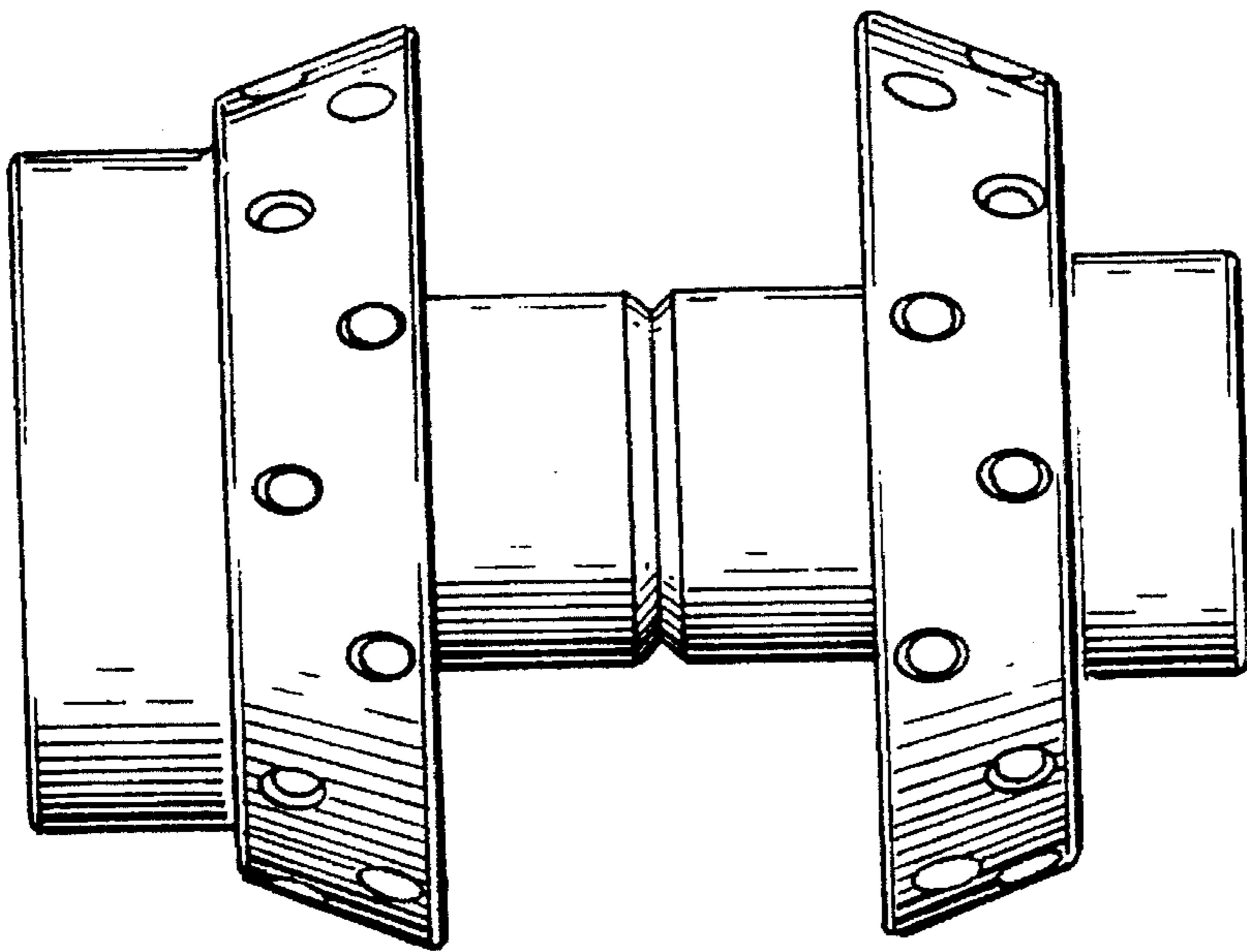
*Fig. 2*

*Fig. 4*



*Fig. 3*





*Fig. 5*