



US00D369335S

# United States Patent [19]

**Benningfield**

[11] **Patent Number: Des. 369,335**

[45] **Date of Patent: \*\*Apr. 30, 1996**

[54] **EXTERNALLY MOUNTED GAS CAP COVER**

[76] Inventor: **Tuck O. Benningfield**, 3604 N. Bigelow, Peoria, Ill. 61604

[\*\*] Term: **14 Years**

[21] Appl. No.: **33,307**

[22] Filed: **Jan. 10, 1995**

[52] U.S. Cl. .... **D12/197**

[58] Field of Search ..... **D12/197; D23/260; 220/86.2, DIG. 33**

[56] **References Cited**

**U.S. PATENT DOCUMENTS**

D. 88,677	12/1932	Stant	.....	D12/197
D. 274,548	7/1984	Shaw	.....	D23/260
D. 300,129	3/1989	Whitley, II	.....	D12/197
D. 312,442	11/1990	Whitley, II	.....	D12/197
5,234,122	8/1993	Cherng	.....	220/DIG. 33

*Primary Examiner*—Alan P. Douglas  
*Assistant Examiner*—S. Snapp  
*Attorney, Agent, or Firm*—Joseph C. Mason, Jr.; Ronald E. Smith

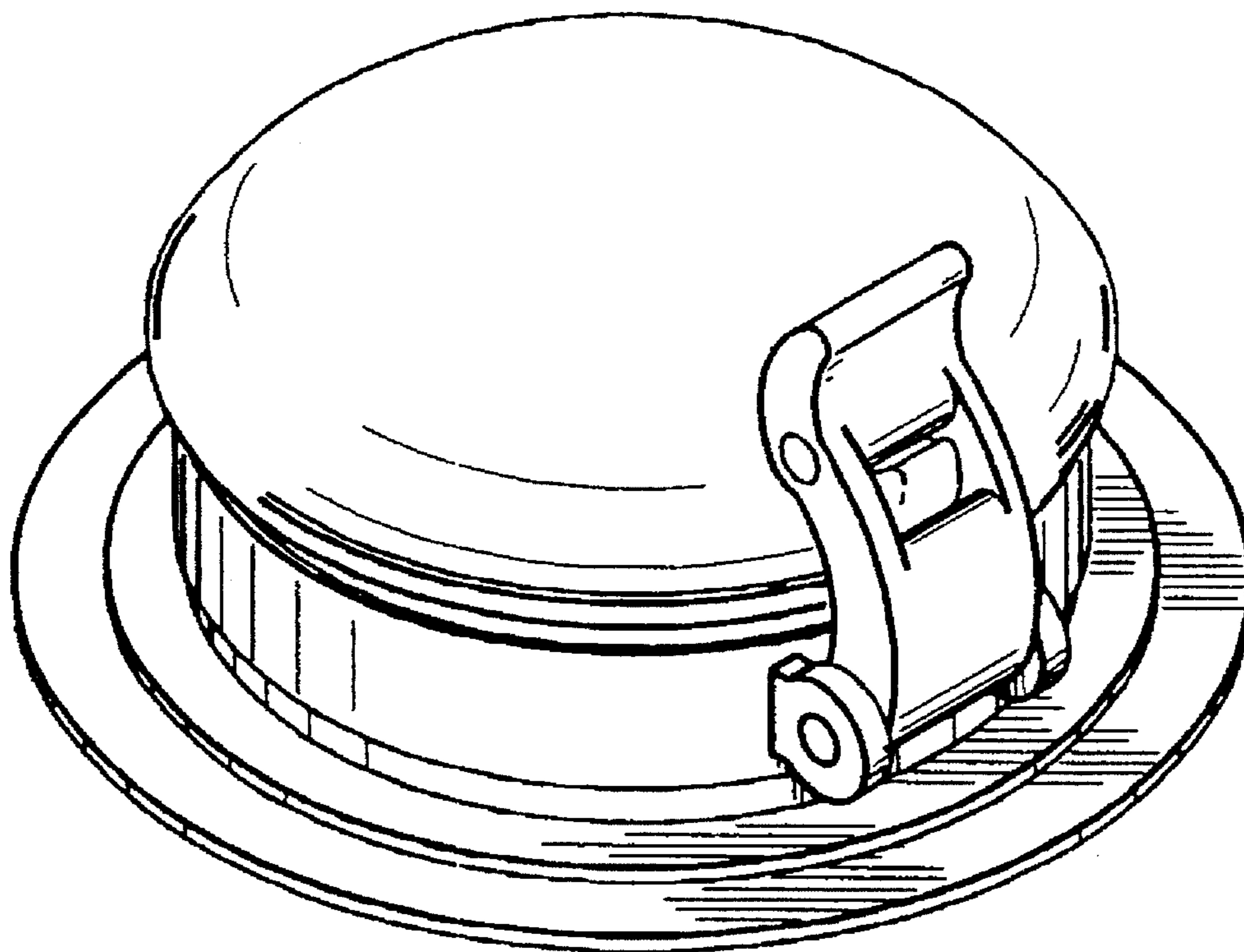
[57] **CLAIM**

The ornamental design for an externally mounted gas cap cover, as shown.

**DESCRIPTION**

FIG. 1 is a perspective view of my new design; FIG. 2 is a top plan view thereof; FIG. 3 is a bottom plan view thereof; FIG. 4 is a left side elevational view thereof; FIG. 5 is a right side elevational view thereof; FIG. 6 is a front elevational view thereof; and, FIG. 7 is a rear elevational view thereof.

**1 Claim, 1 Drawing Sheet**



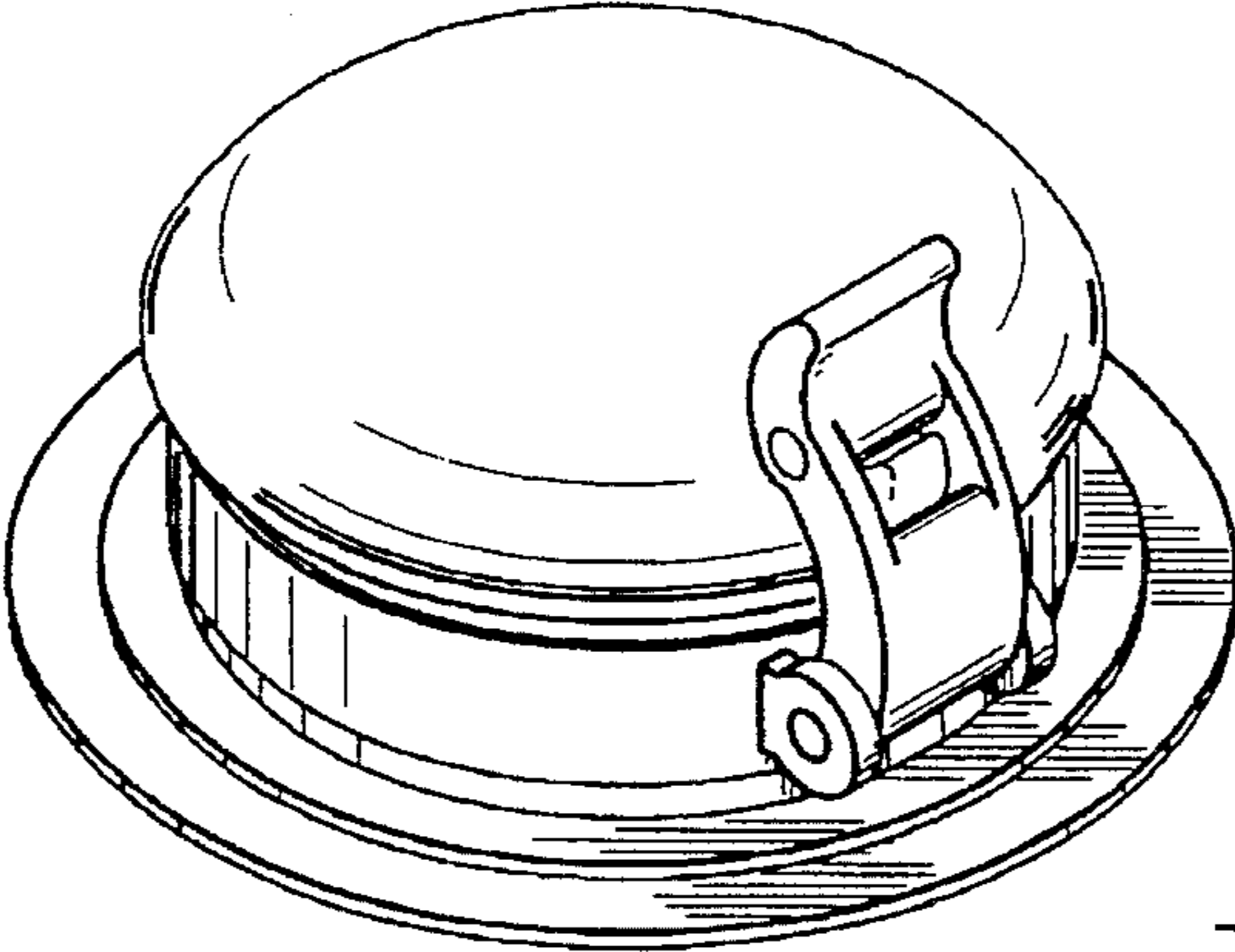


Fig. 1

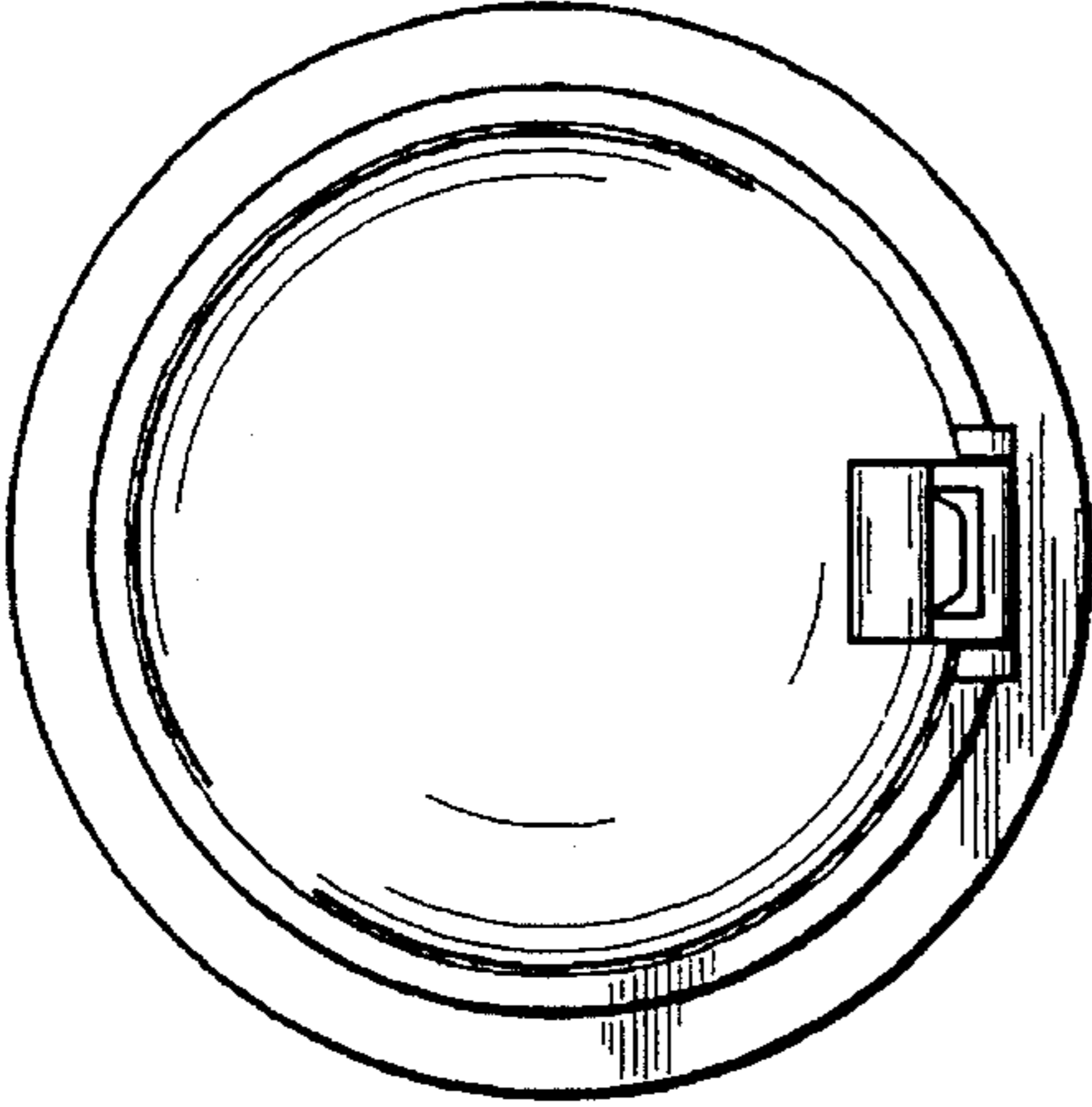


Fig. 2

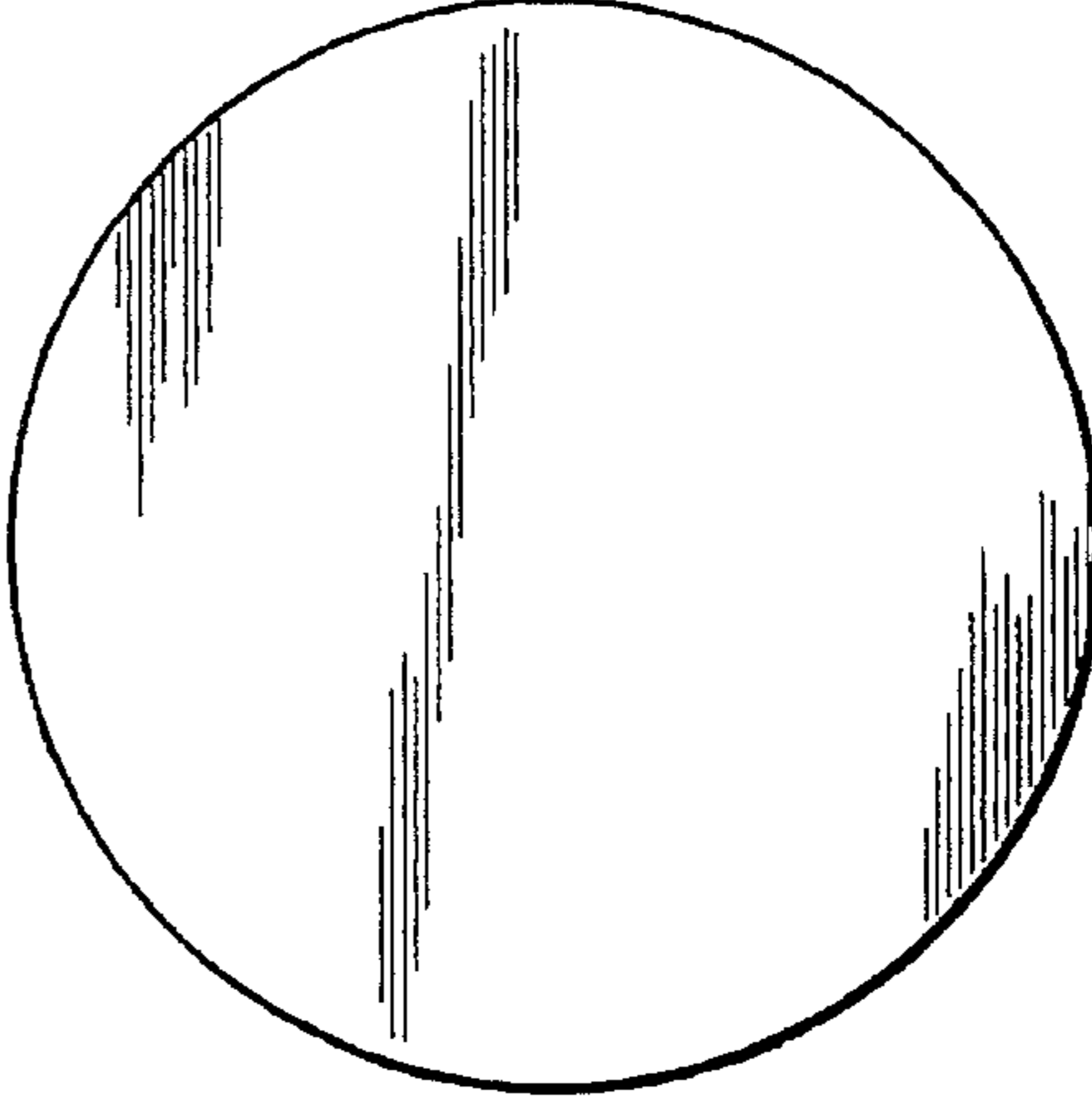


Fig. 3

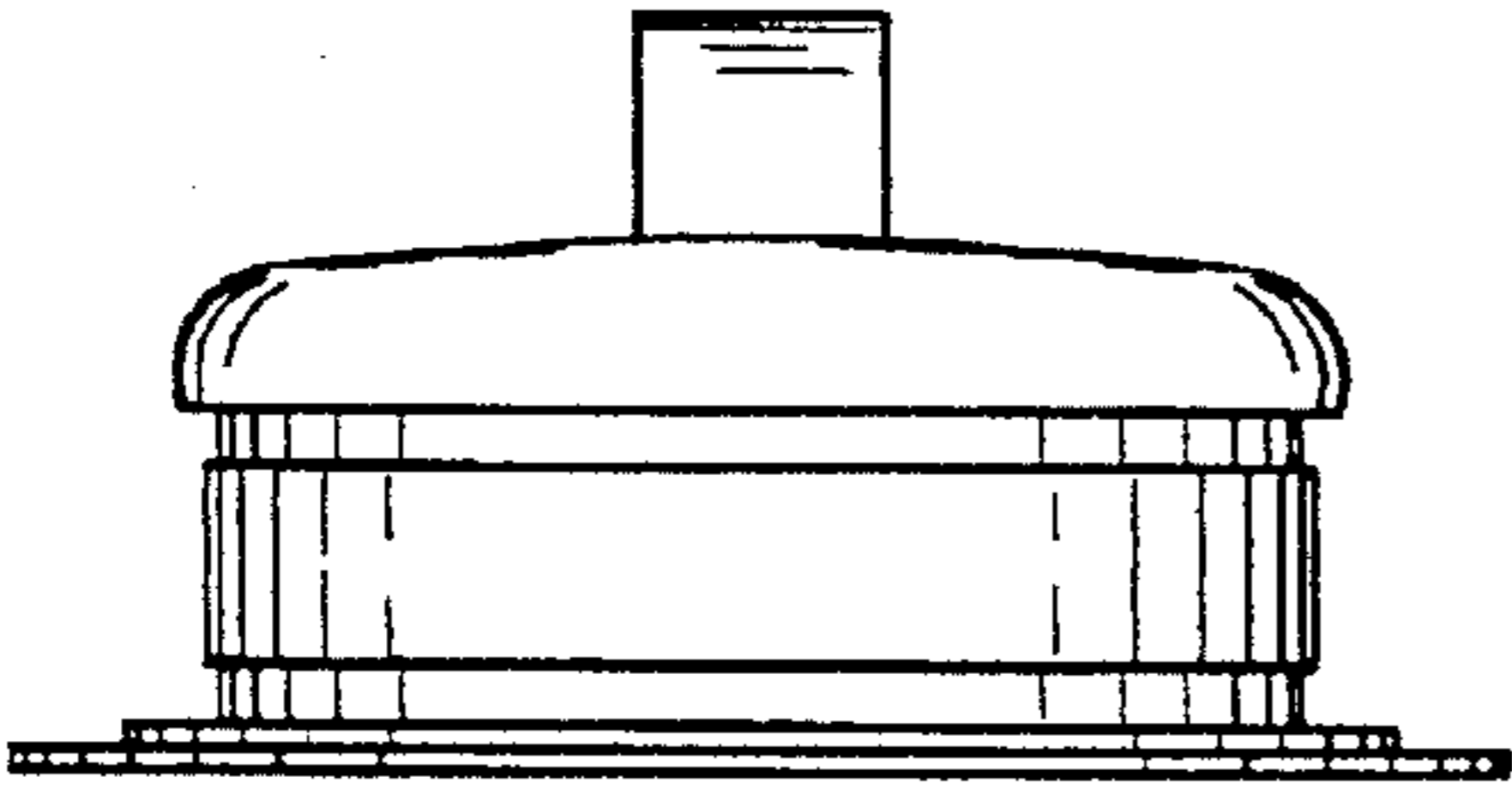


Fig. 4

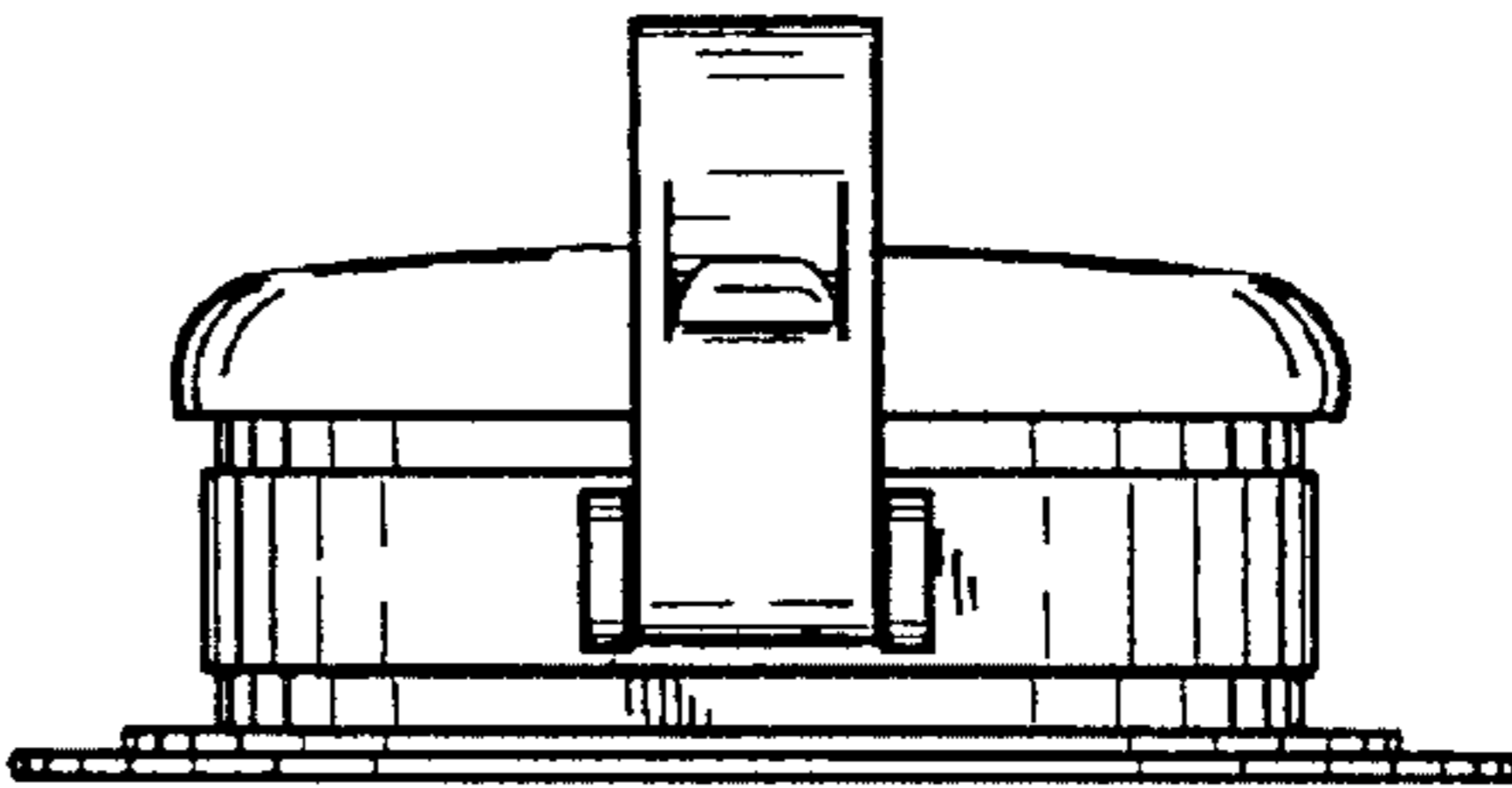


Fig. 5

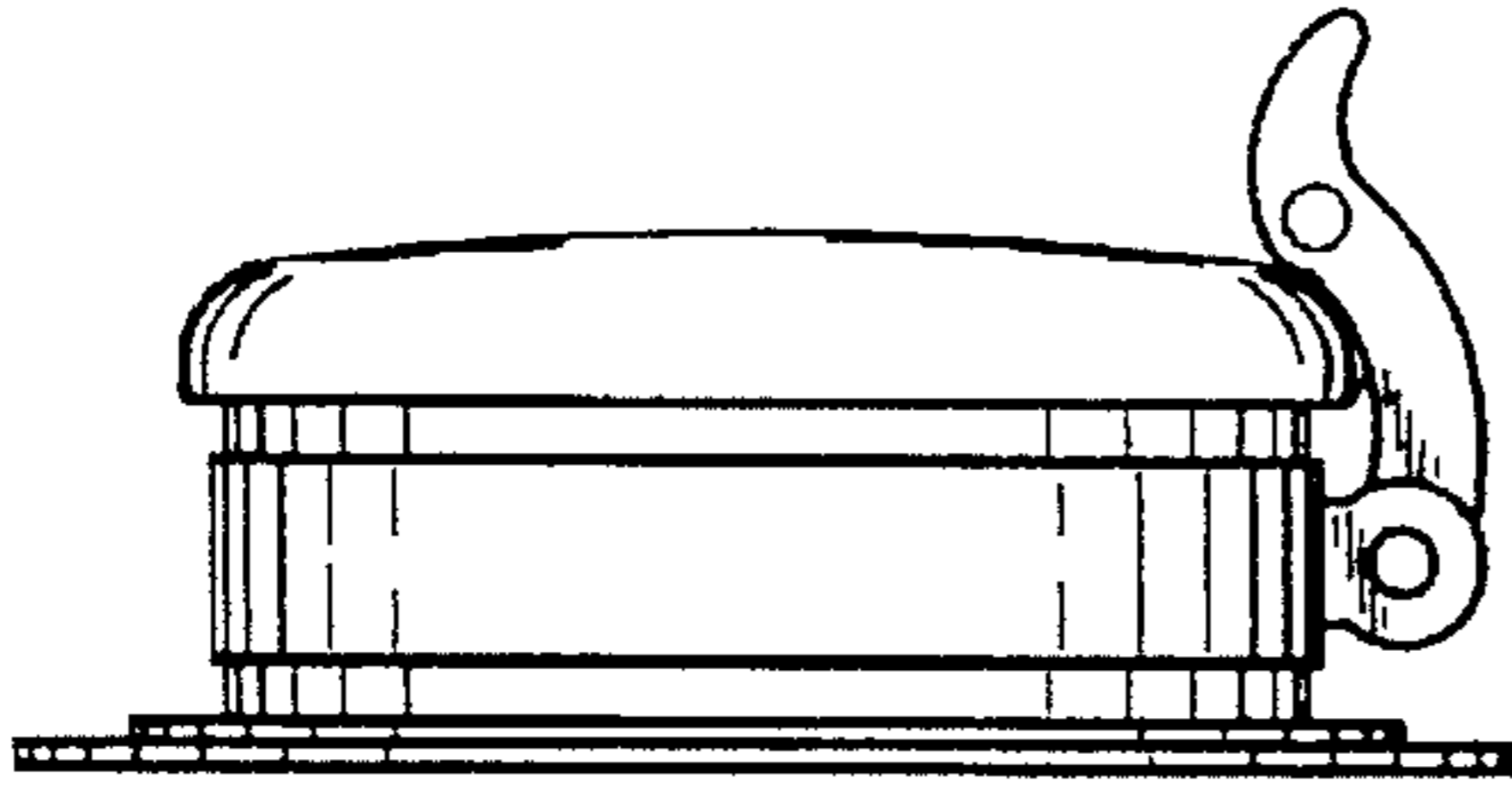


Fig. 6

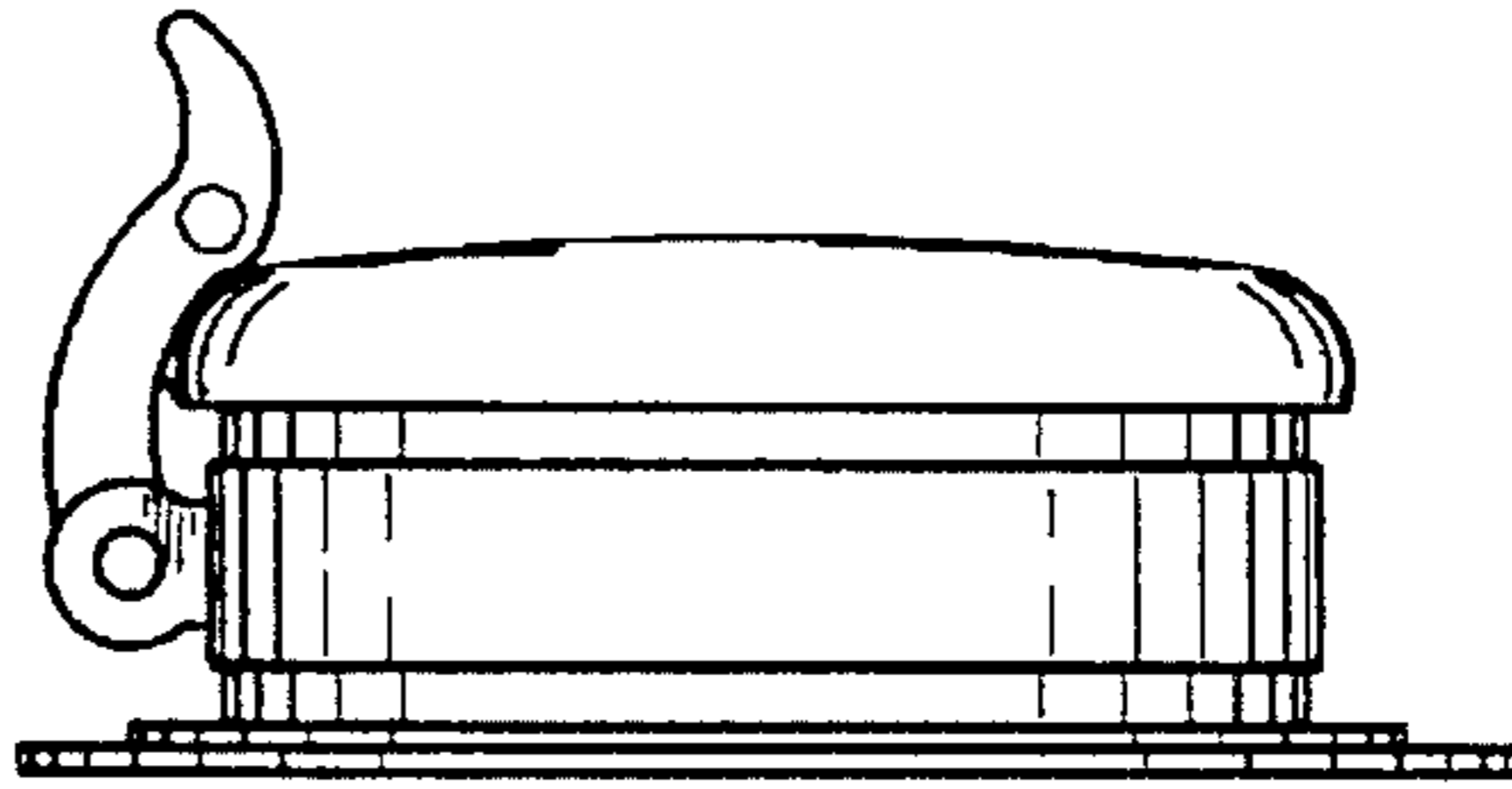


Fig. 7