



US00D369334S

United States Patent [19]

[11] Patent Number: **Des. 369,334**

Berry et al.

[45] Date of Patent: ****Apr. 30, 1996**

[54] **SUN SHADE**

[76] Inventors: **Leslie Berry; Robert Berry**, both of
605 Everett St., Lakewood, Colo. 80215

[**] Term: **14 Years**

[21] Appl. No.: **39,163**

[22] Filed: **May 22, 1995**

[52] U.S. Cl. **D12/191**

[58] Field of Search D12/190, 191,
D12/401, 417; 160/370.2 R, 370.2 B, DIG. 3;
248/481, 484; 296/97.1, 97.2, 97.4, 97.5,
97.6, 97.8, 97.11

[56] **References Cited**

U.S. PATENT DOCUMENTS

D. 159,785	8/1950	Crocker	D12/191
D. 310,652	9/1990	Nagata	D12/191
5,135,279	8/1992	Beatty	296/97.1
5,221,120	6/1993	Viertal et al.	296/97.1

OTHER PUBLICATIONS

Eurostyle Vent/Visor, J. C. Whitney Cat., p. 64.

Primary Examiner—Alan P. Douglas

Assistant Examiner—S. Snapp

Attorney, Agent, or Firm—Harold H. Dutton, Jr.

[57] **CLAIM**

The ornamental design for a sun shade, as shown and described.

DESCRIPTION

FIG. 1 is a front perspective view of a sun shade showing my new design;

FIG. 2 is a top view thereof;

FIG. 3 is a bottom view thereof;

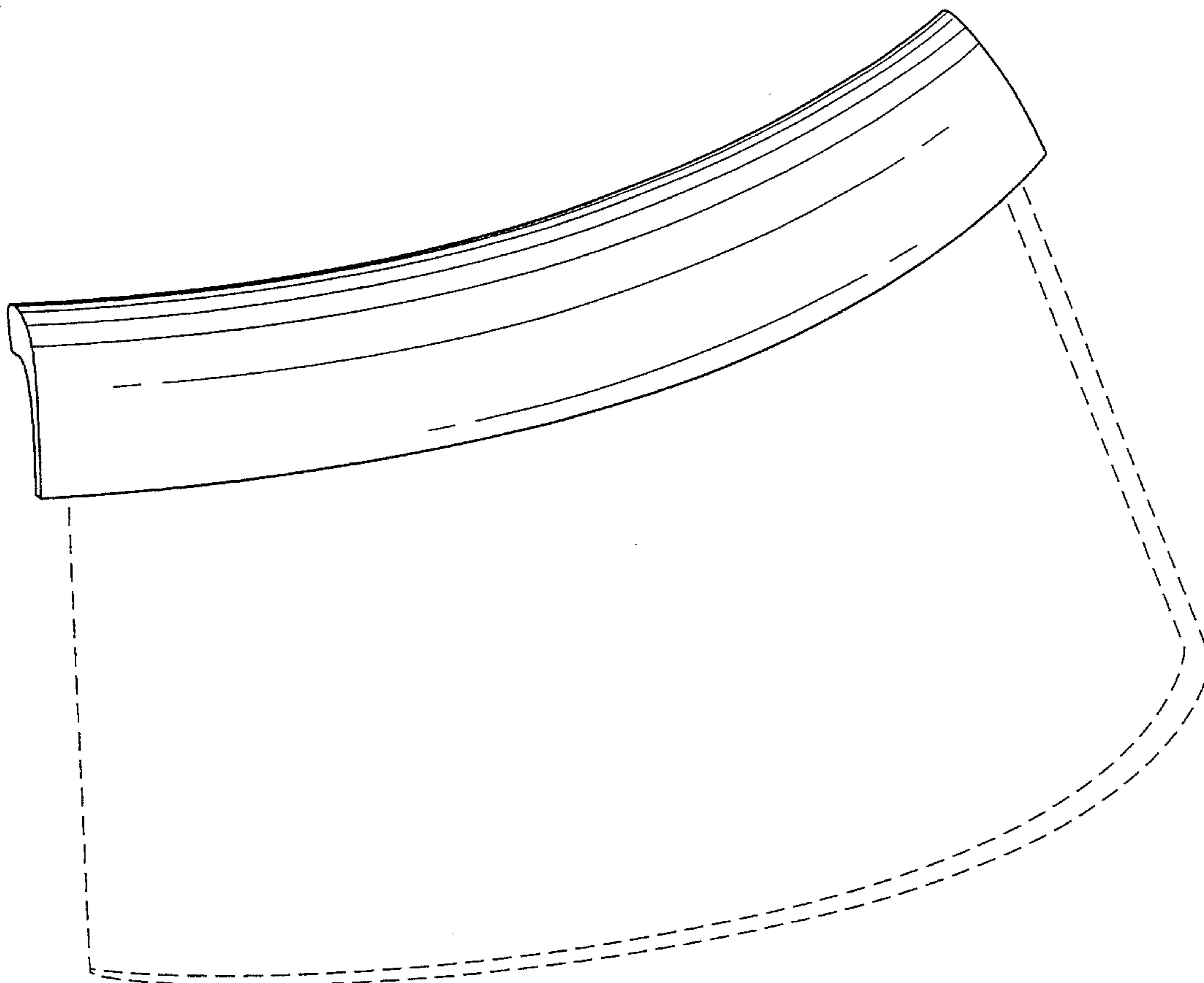
FIG. 4 is a rear view thereof;

FIG. 5 is a right side view thereof; and,

FIG. 6 is a left side view thereof.

The broken line showing of a window in FIG. 1 is for illustrative purposes only and forms no part of the claimed design.

1 Claim, 3 Drawing Sheets



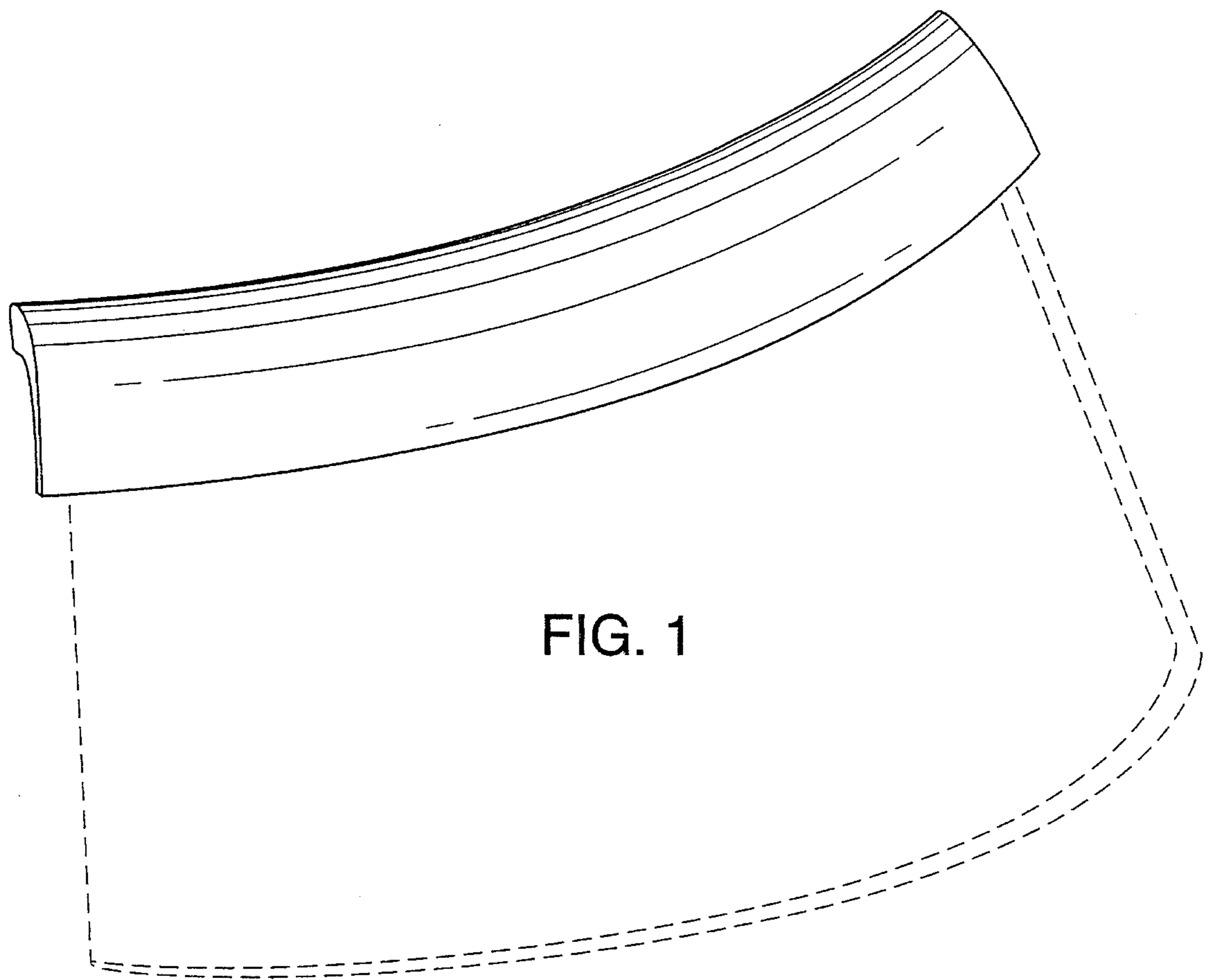


FIG. 1

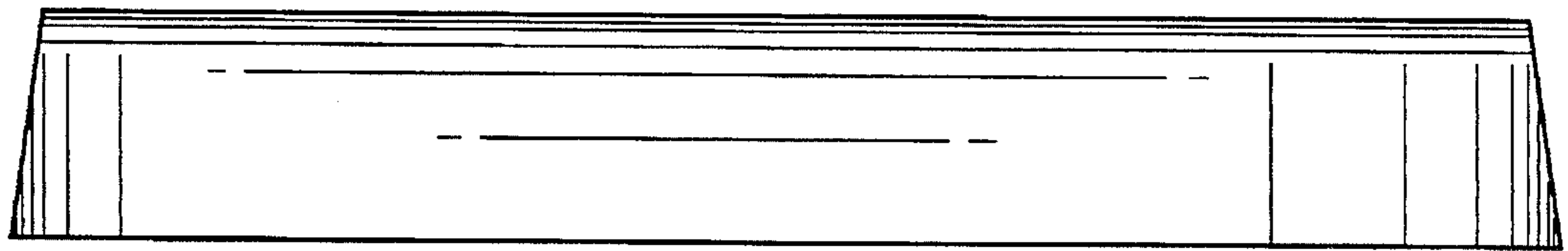


FIG. 2

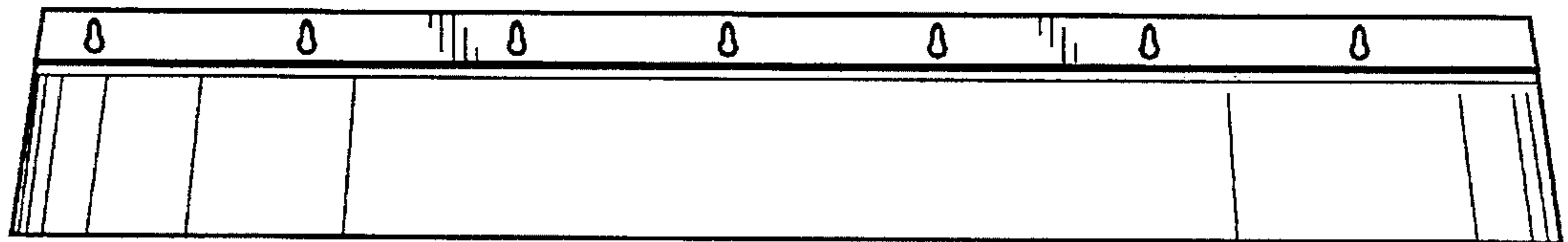


FIG. 3

FIG. 4

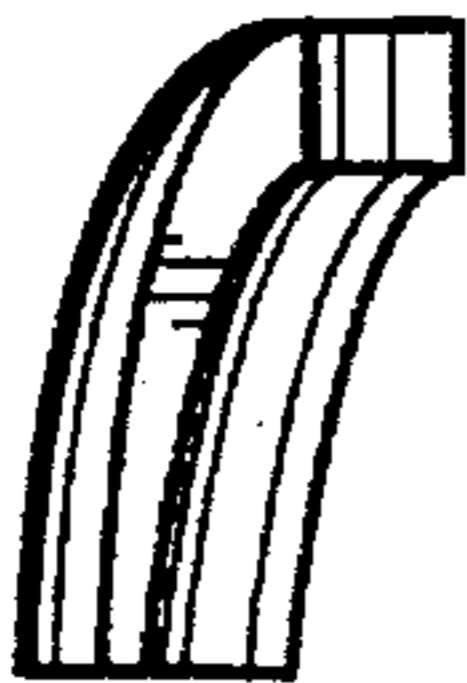
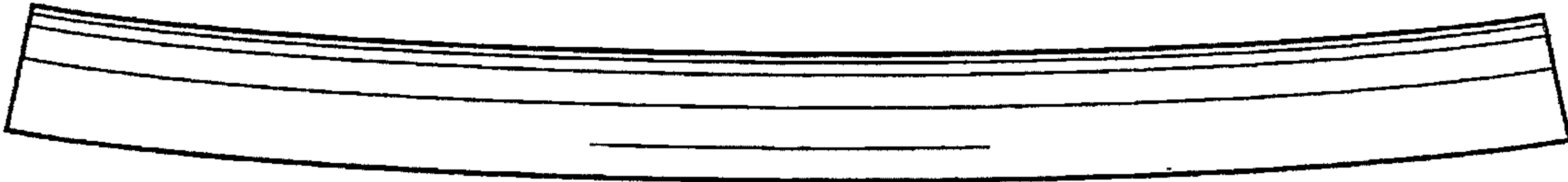


FIG. 5

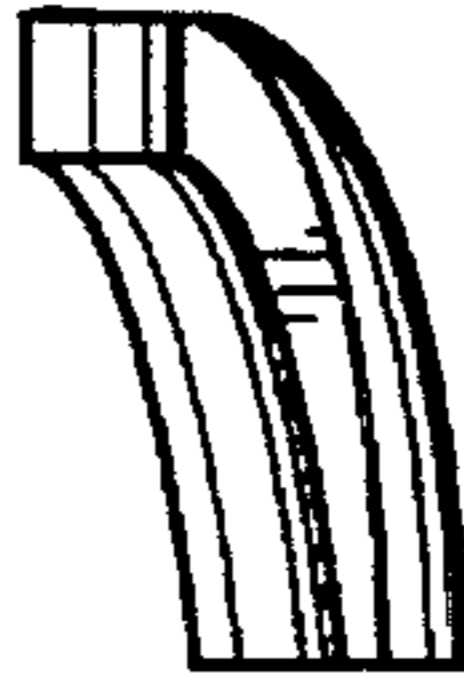


FIG. 6