



US00D369331S

United States Patent [19]
Niemeyer

[11] **Patent Number: Des. 369,331**

[45] **Date of Patent: **Apr. 30, 1996**

[54] **CHILD'S BICYCLE**

[75] Inventor: **Duane J. Niemeyer, Olney, Ill.**

[73] Assignee: **Roadmaster Corporation, Olney, Ill.**

[**] Term: **14 Years**

[21] Appl. No.: **33,934**

[22] Filed: **Jan. 24, 1995**

[52] U.S. Cl. **D12/112**

[58] Field of Search **D12/112, 113,
D12/111; 250/259, 282, 267, 281.1**

[56] **References Cited**

U.S. PATENT DOCUMENTS

D. 166,693	5/1952	Lines	D12/111
D. 171,610	10/1953	Sebel	D12/111
D. 220,600	4/1971	Hill	D12/112
D. 231,004	3/1974	Brightbill	D12/112
D. 237,641	11/1975	Kato	D12/111
D. 245,002	7/1977	Carpenter et al.	D12/111
D. 278,325	4/1985	Nagel	D12/112
D. 279,176	6/1985	Kassai	D12/112
D. 280,087	8/1985	Wing-Fong	D12/112
D. 296,774	7/1988	Armstrong	D12/112
D. 300,619	4/1989	Phinney et al.	D12/112
D. 326,247	5/1992	Hess	D12/111
D. 337,973	8/1993	Mariol	D12/112
D. 345,948	4/1994	Chen	D12/112
3,352,570	11/1967	Cordrey	280/282
4,596,398	6/1986	Grossi	280/282
4,730,840	3/1988	Goldmeier	280/210
5,133,569	7/1992	Rieber et al.	280/293

OTHER PUBLICATIONS

Target Ad from newspaper dated Dec. 1994.
Famoplay taken from catalog, publication date prior to Nov. 10, 1993.

Primary Examiner—A. Hugo Word

Assistant Examiner—M. Brown

Attorney, Agent, or Firm—William Brinks Hofer Gilson & Lione

[57] **CLAIM**

The ornamental design for a child's bicycle, as shown and described.

DESCRIPTION

FIG. 1 is a left, front perspective view of a child's bicycle showing my new design;

FIG. 2 is a left side elevational view thereof;

FIG. 3 is a right side elevational view thereof;

FIG. 4 is a front elevational view thereof;

FIG. 5 is a rear elevational view thereof;

FIG. 6 is a top plan view thereof;

FIG. 7 is a bottom plan view thereof;

FIG. 8 is a left, front perspective view of a child's bicycle showing my new design, without training wheels;

FIG. 9 is a left side elevational view thereof, without training wheels;

FIG. 10 is a right side elevational view thereof, without training wheels;

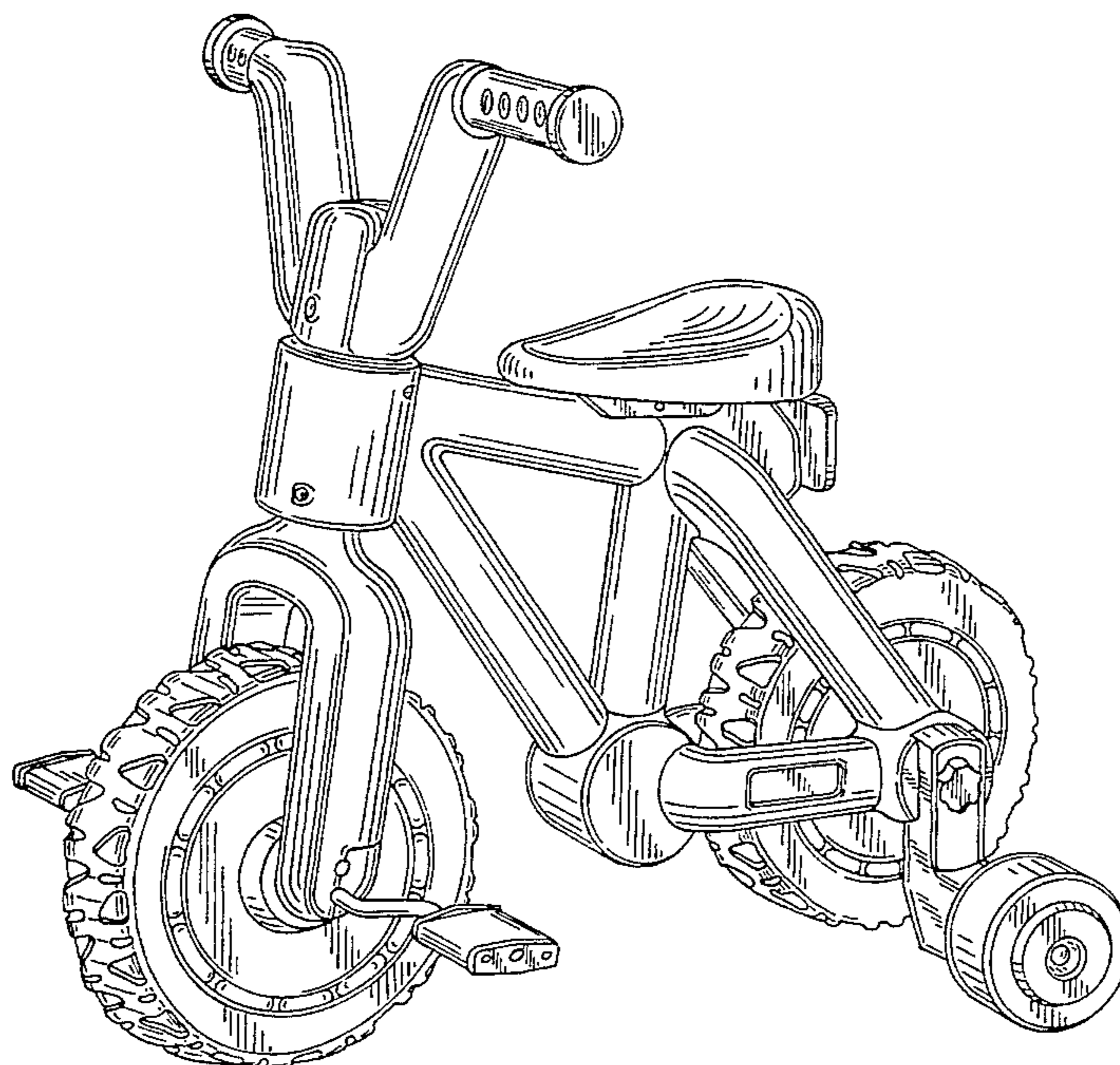
FIG. 11 is a front elevational view thereof, without training wheels;

FIG. 12 is a rear elevational view thereof, without training wheels;

FIG. 13 is a top plan view thereof, without training wheels; and,

FIG. 14 is a bottom plan view thereof, without training wheels.

1 Claim, 12 Drawing Sheets



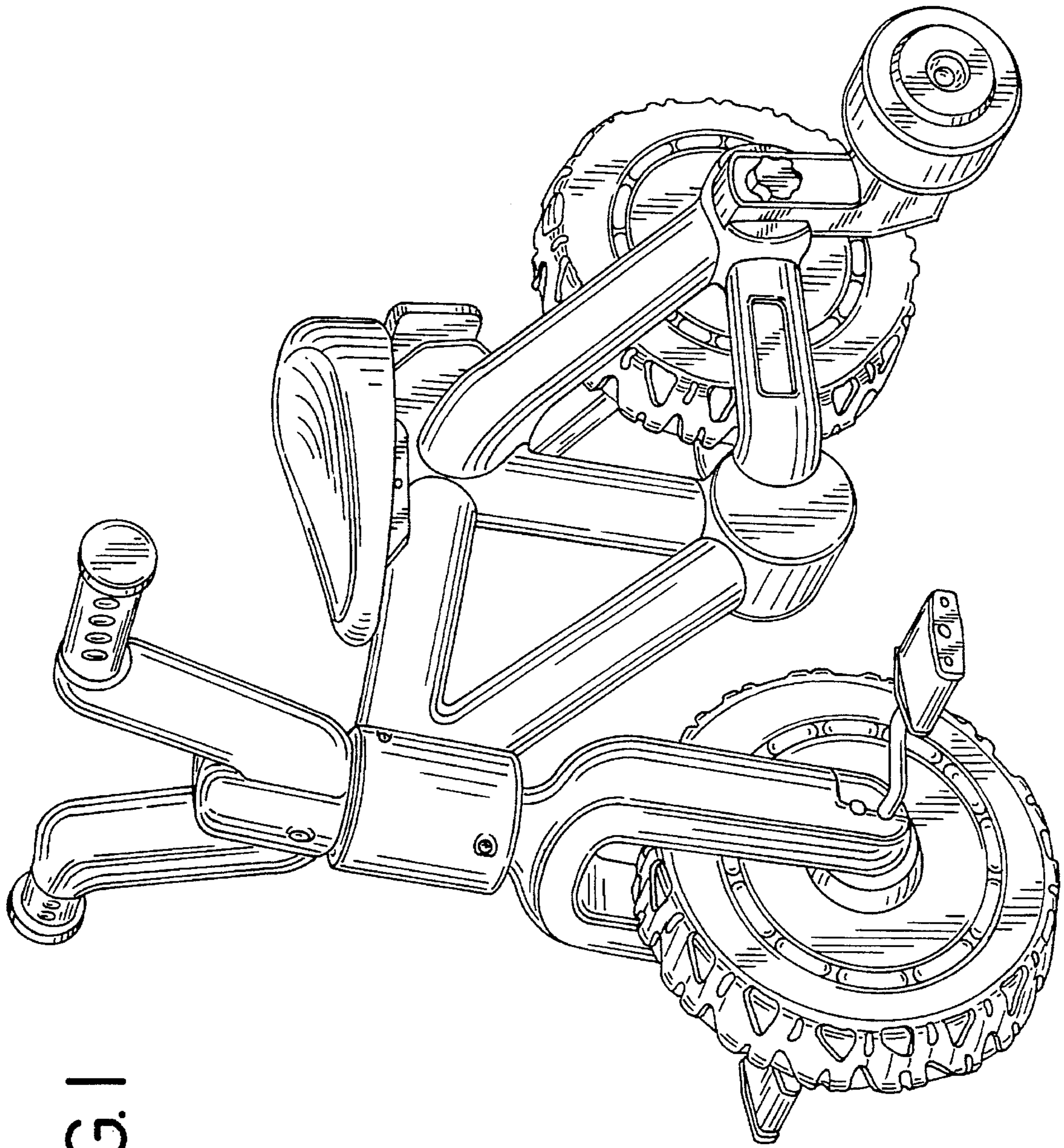


FIG. 1

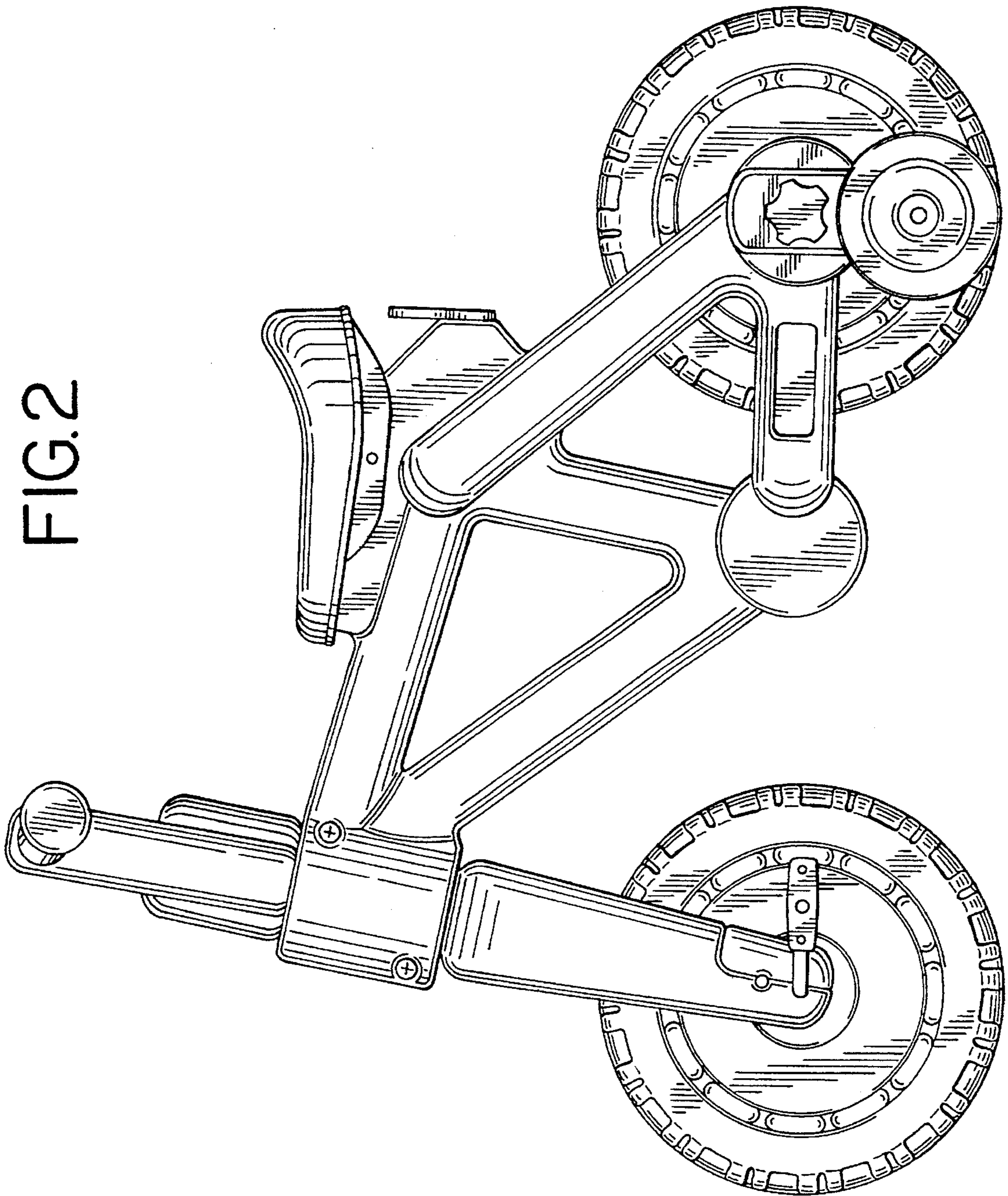


FIG. 2

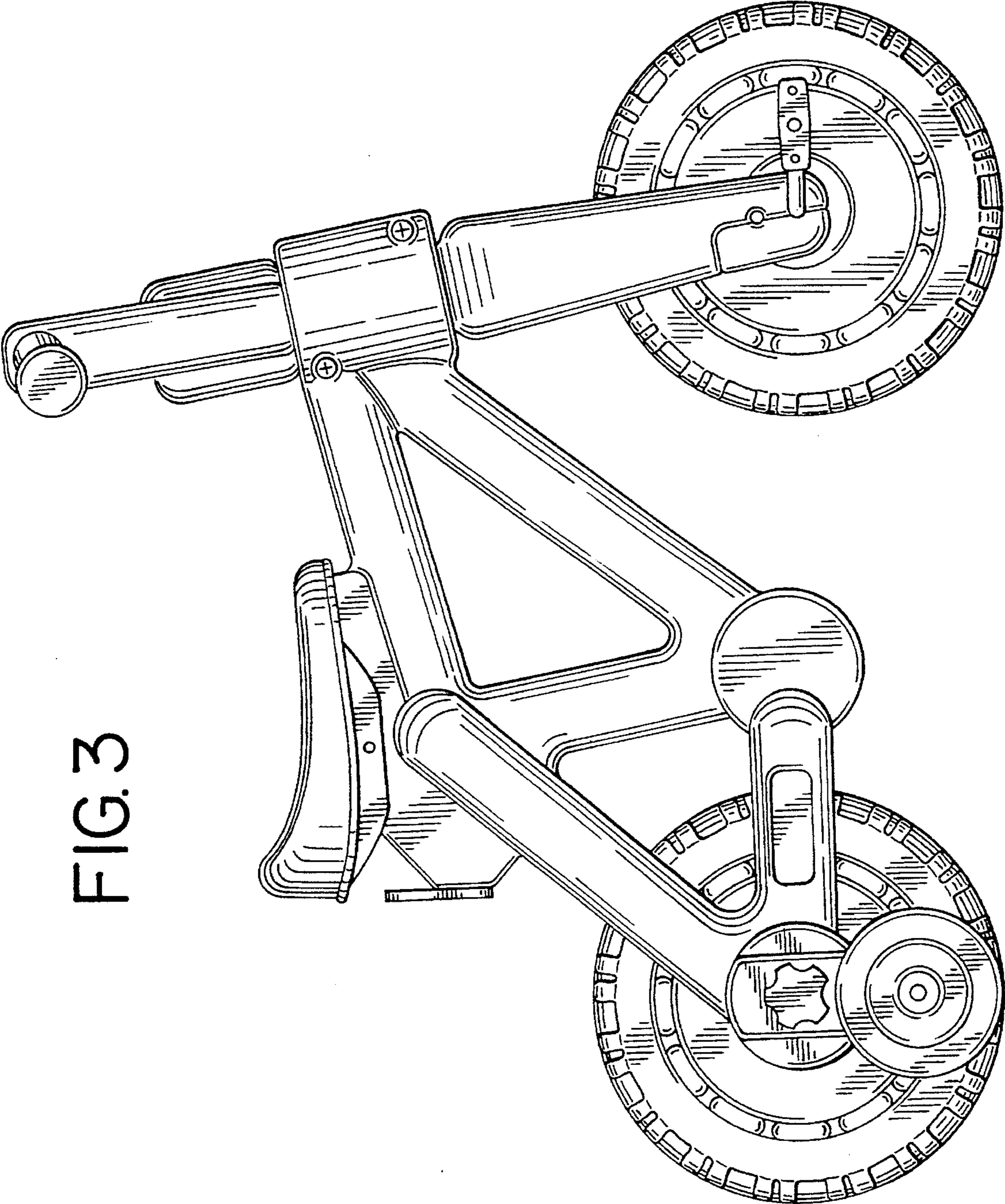


FIG. 3

FIG.5

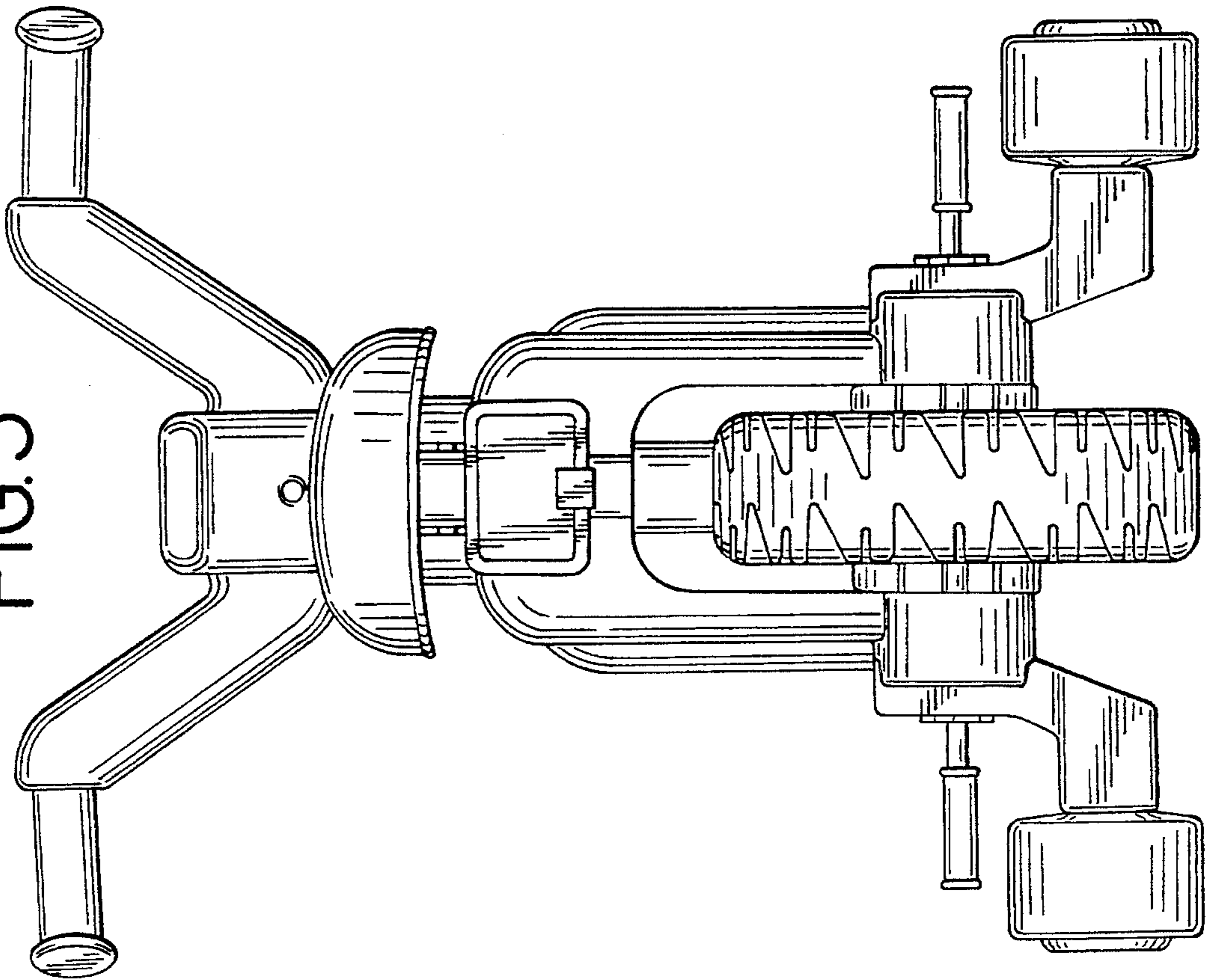
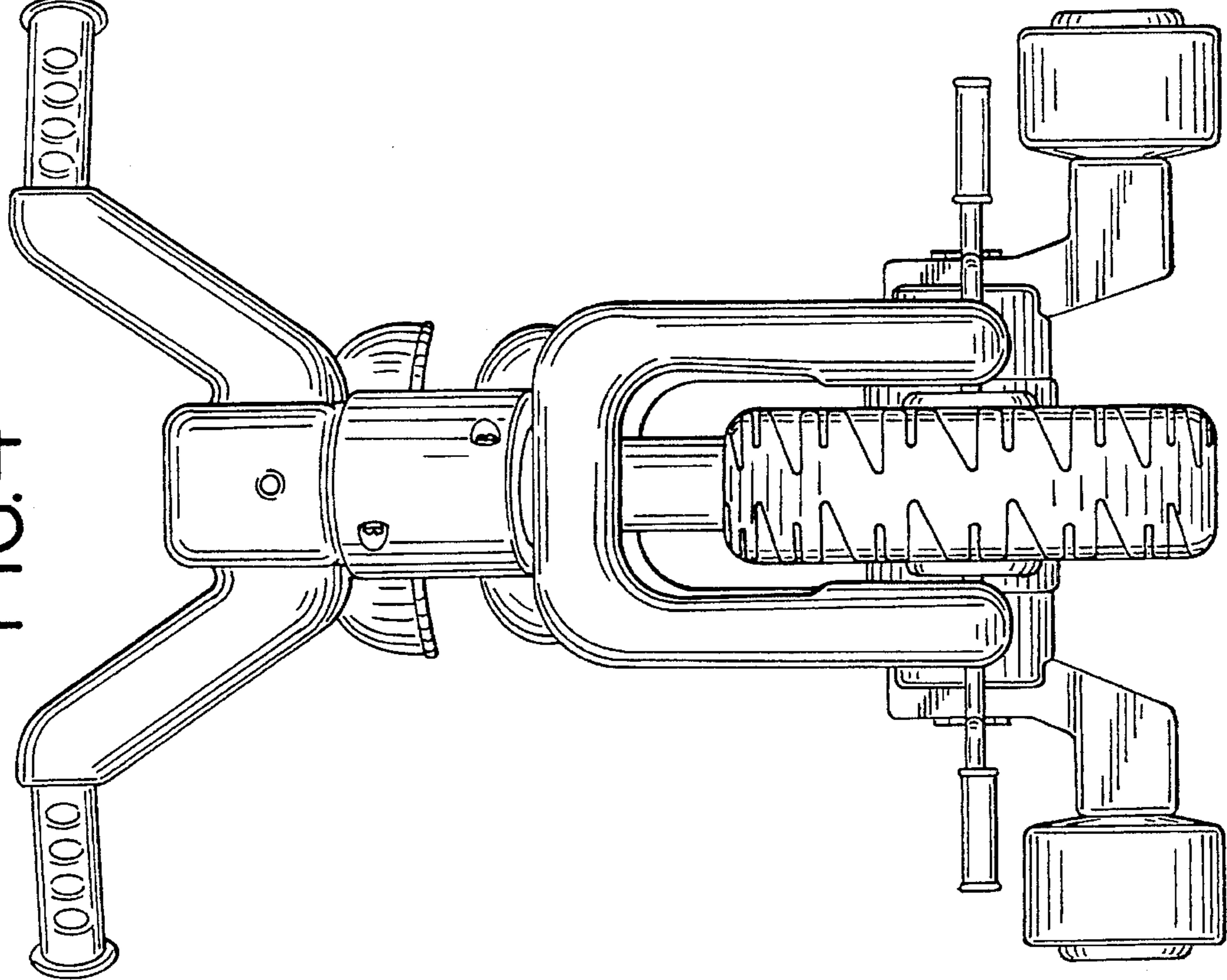


FIG.4



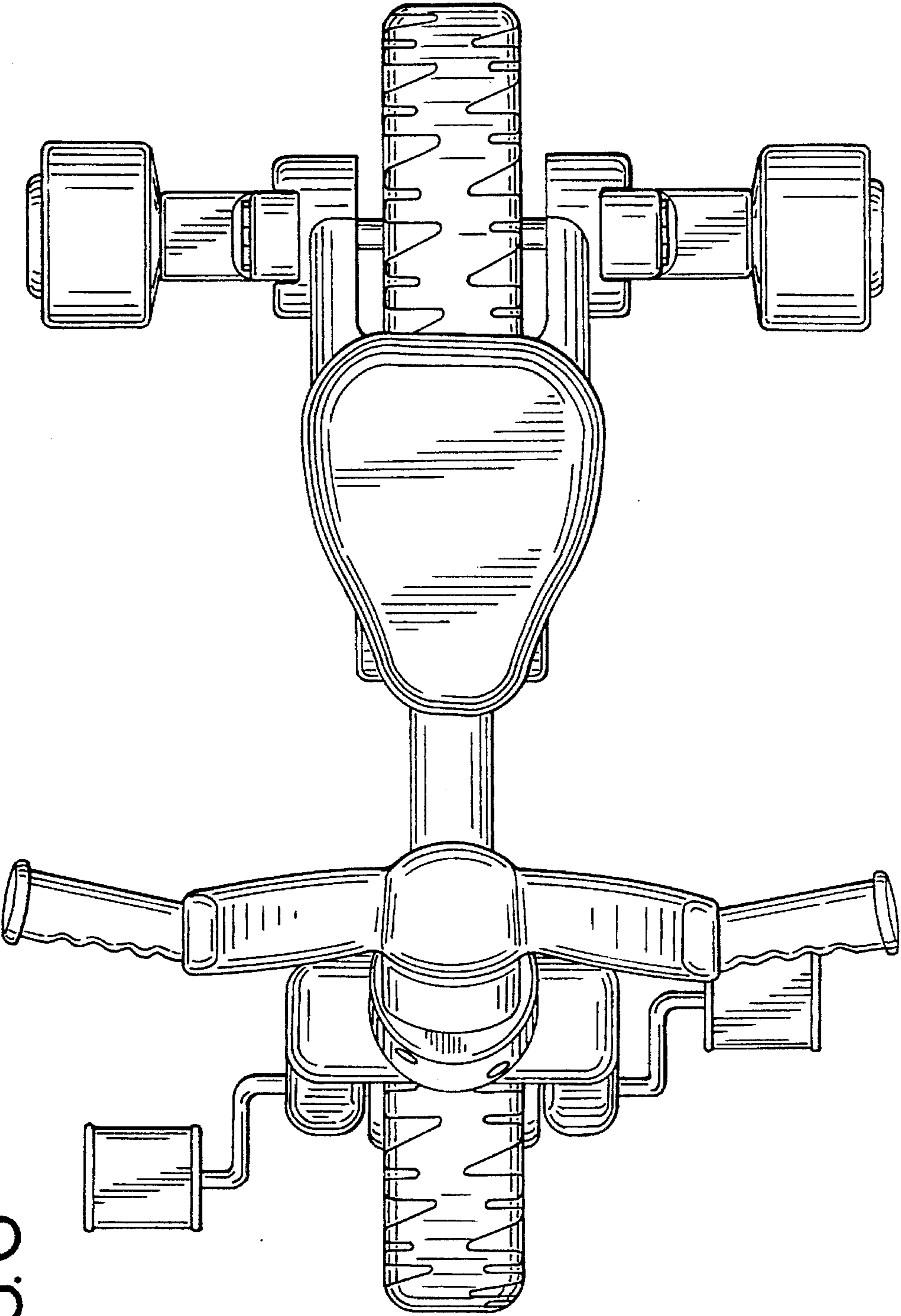


FIG. 6

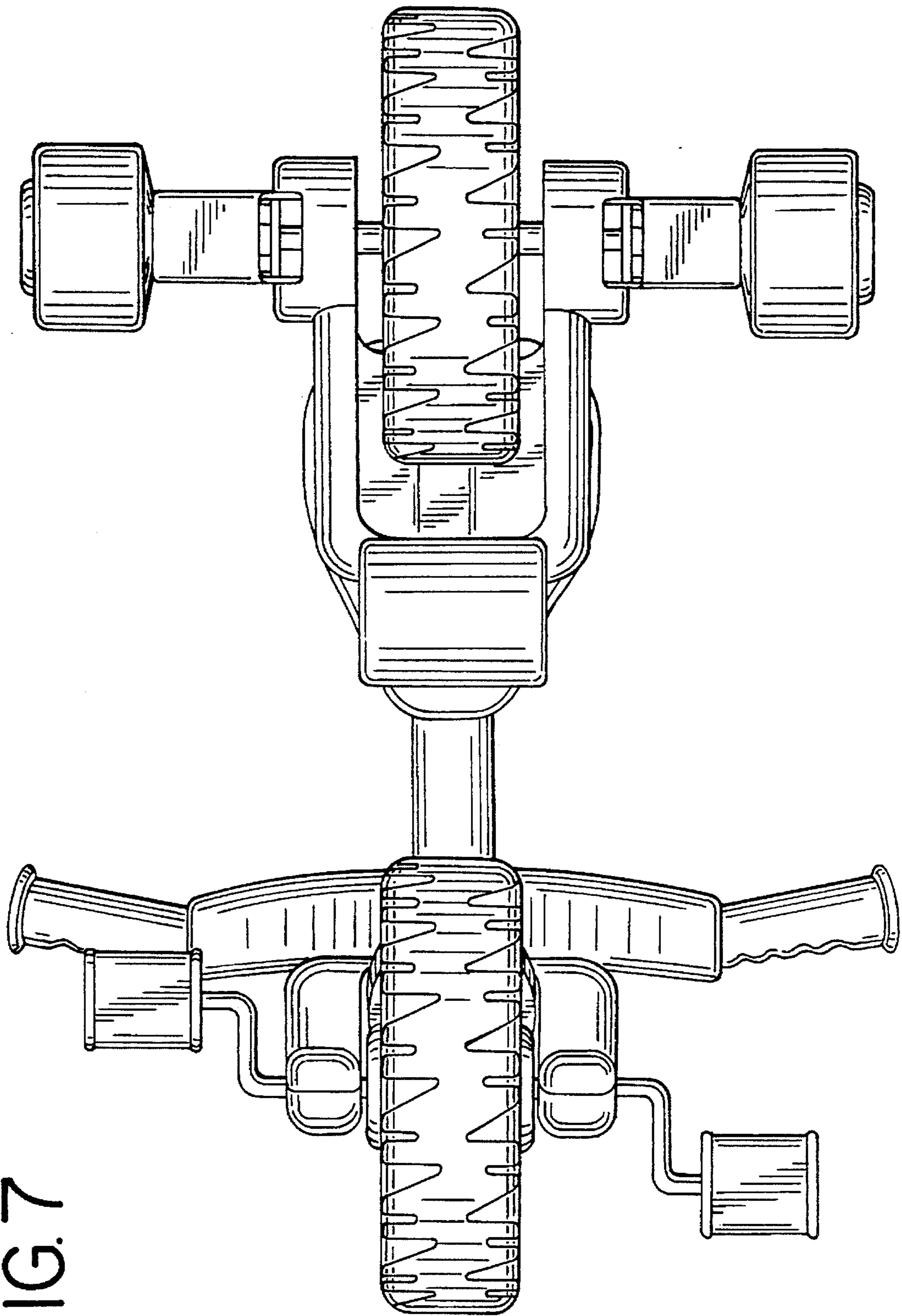


FIG. 7

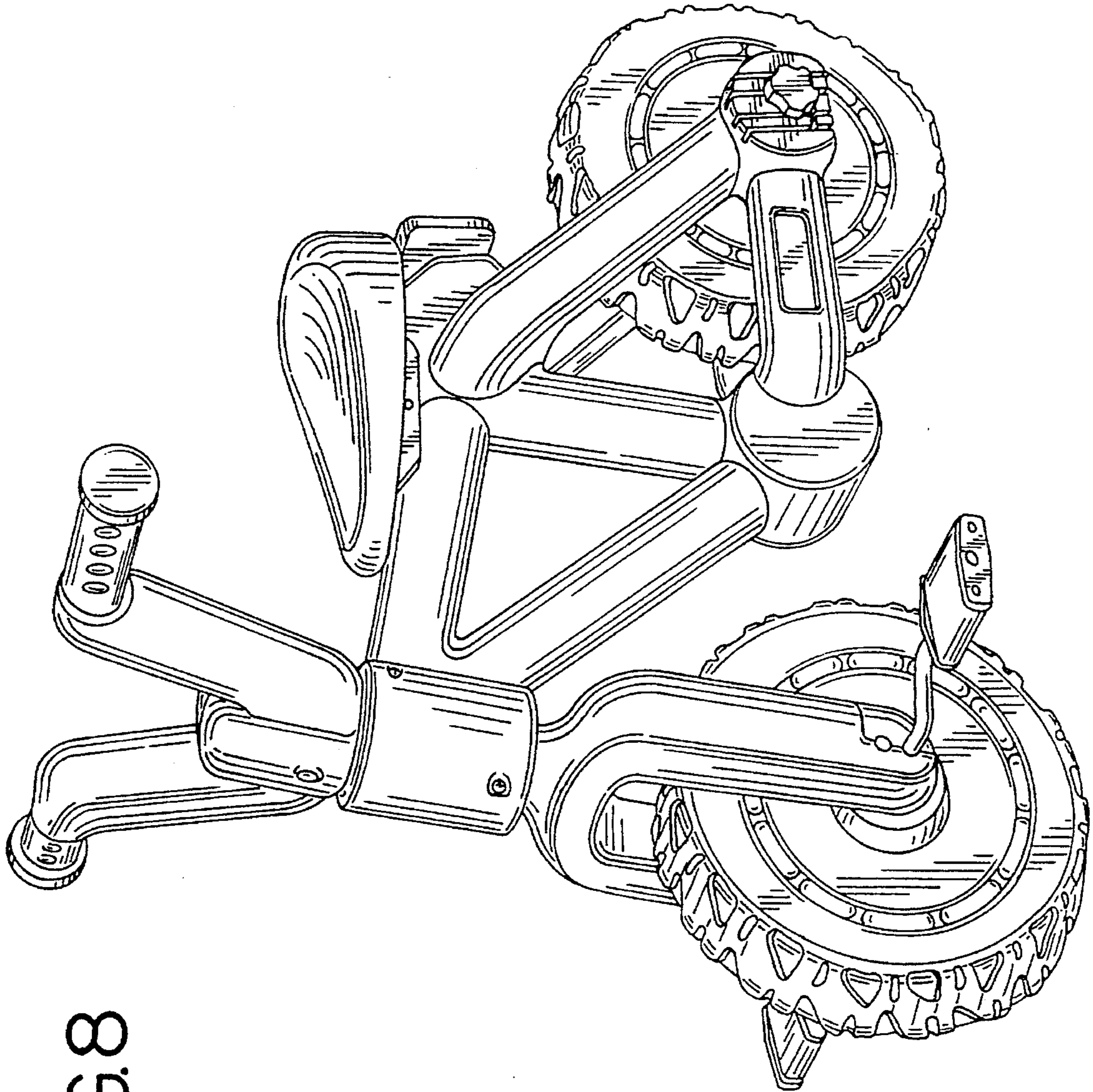
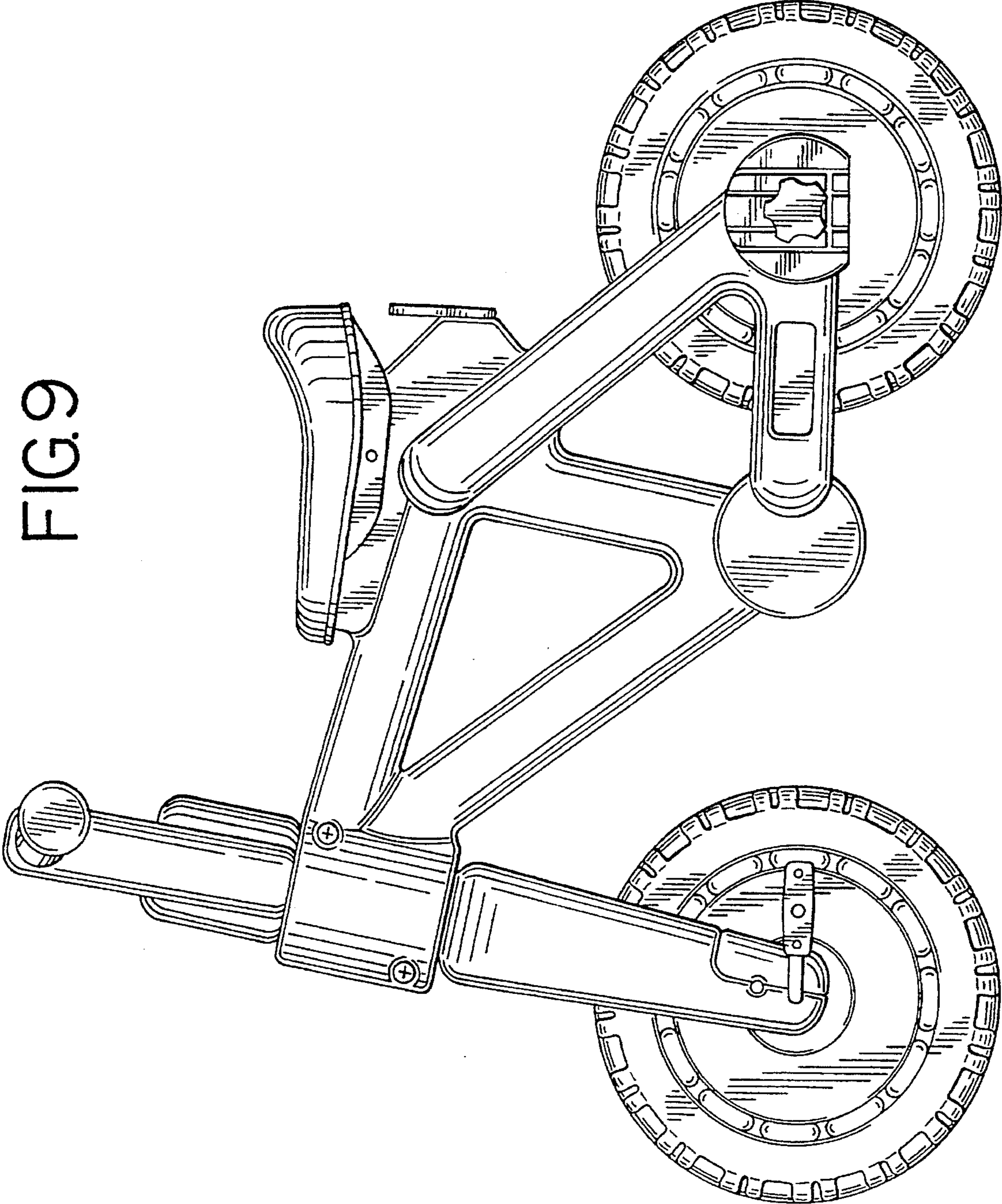


FIG.8

FIG. 9



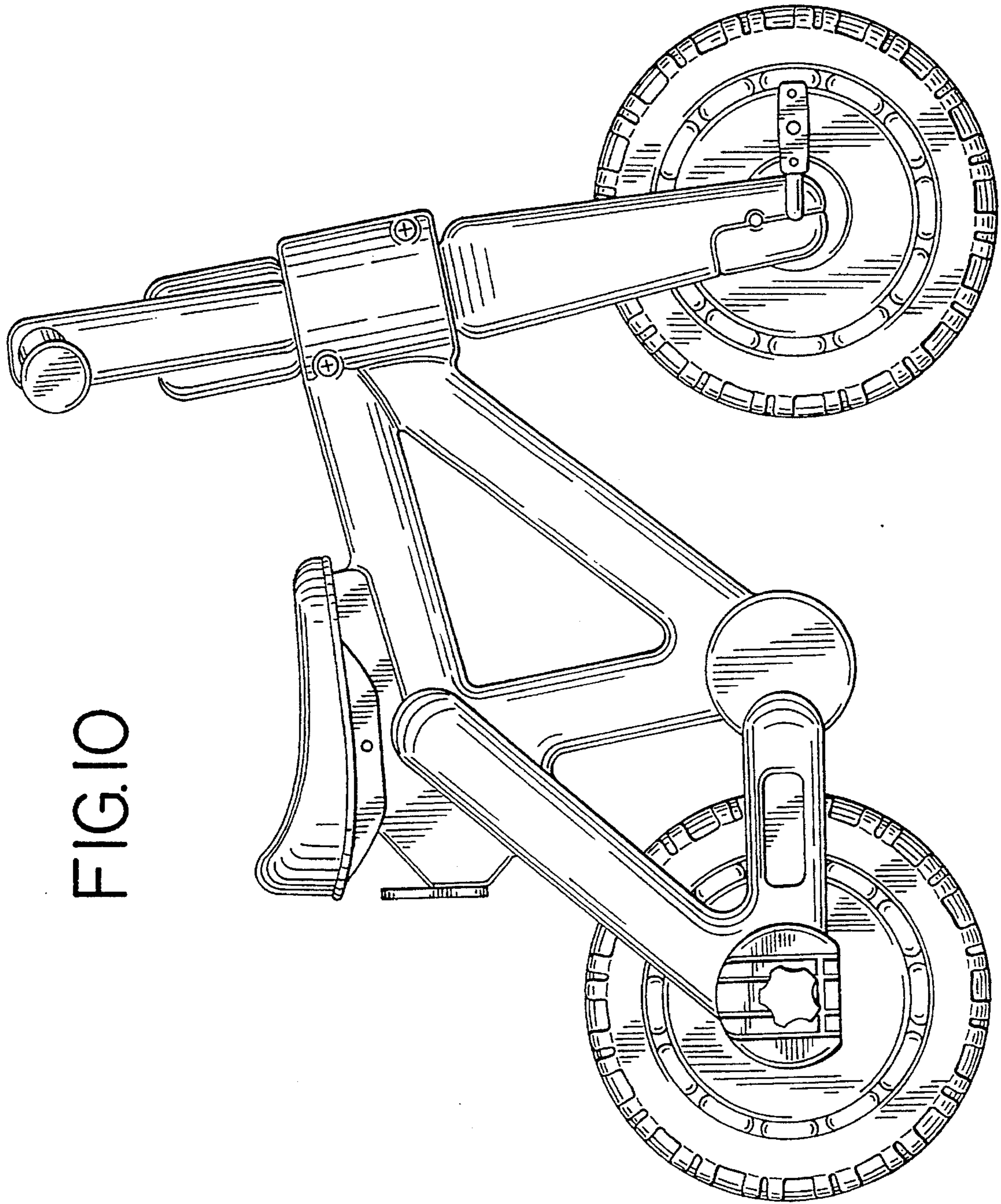


FIG. 10

FIG.12

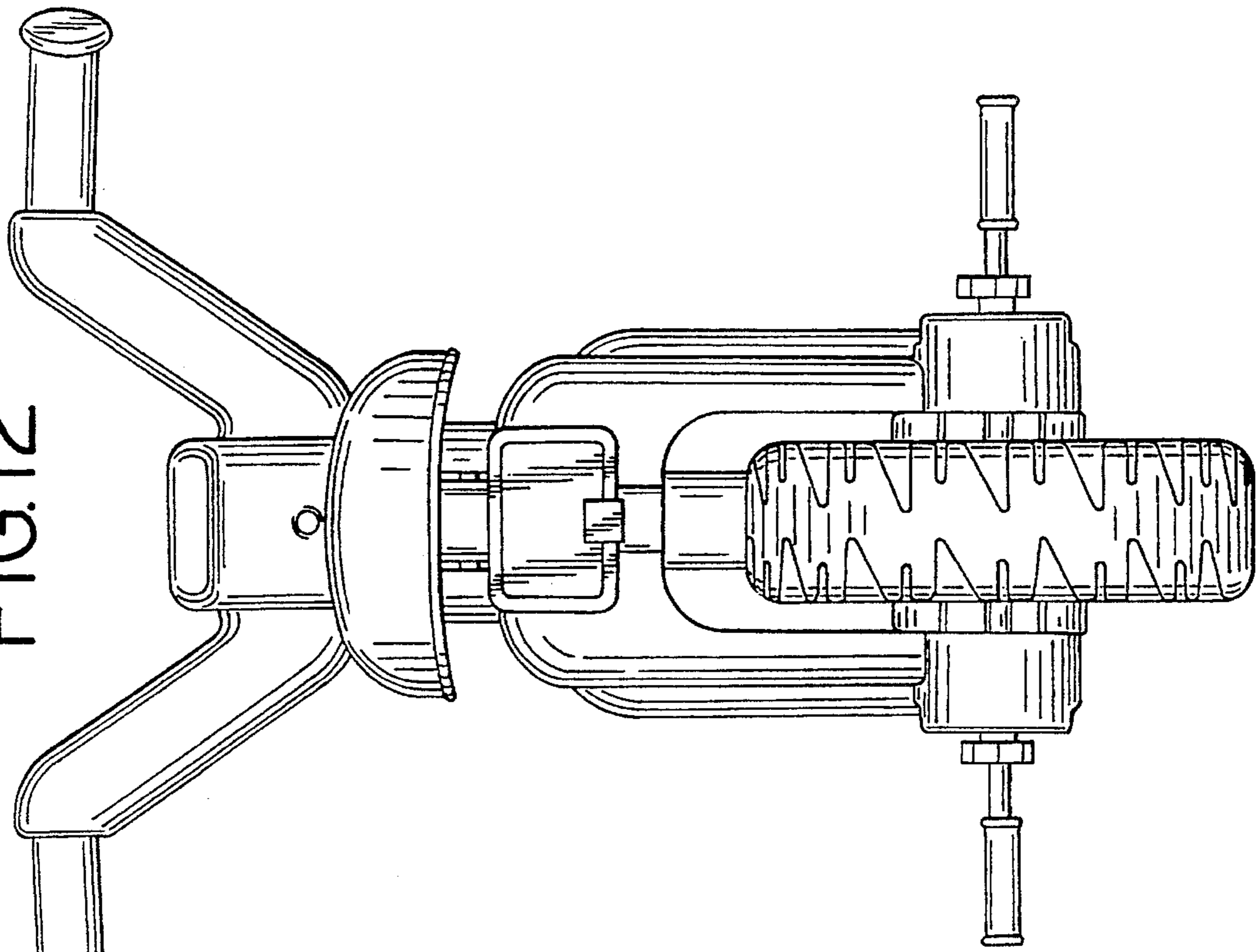
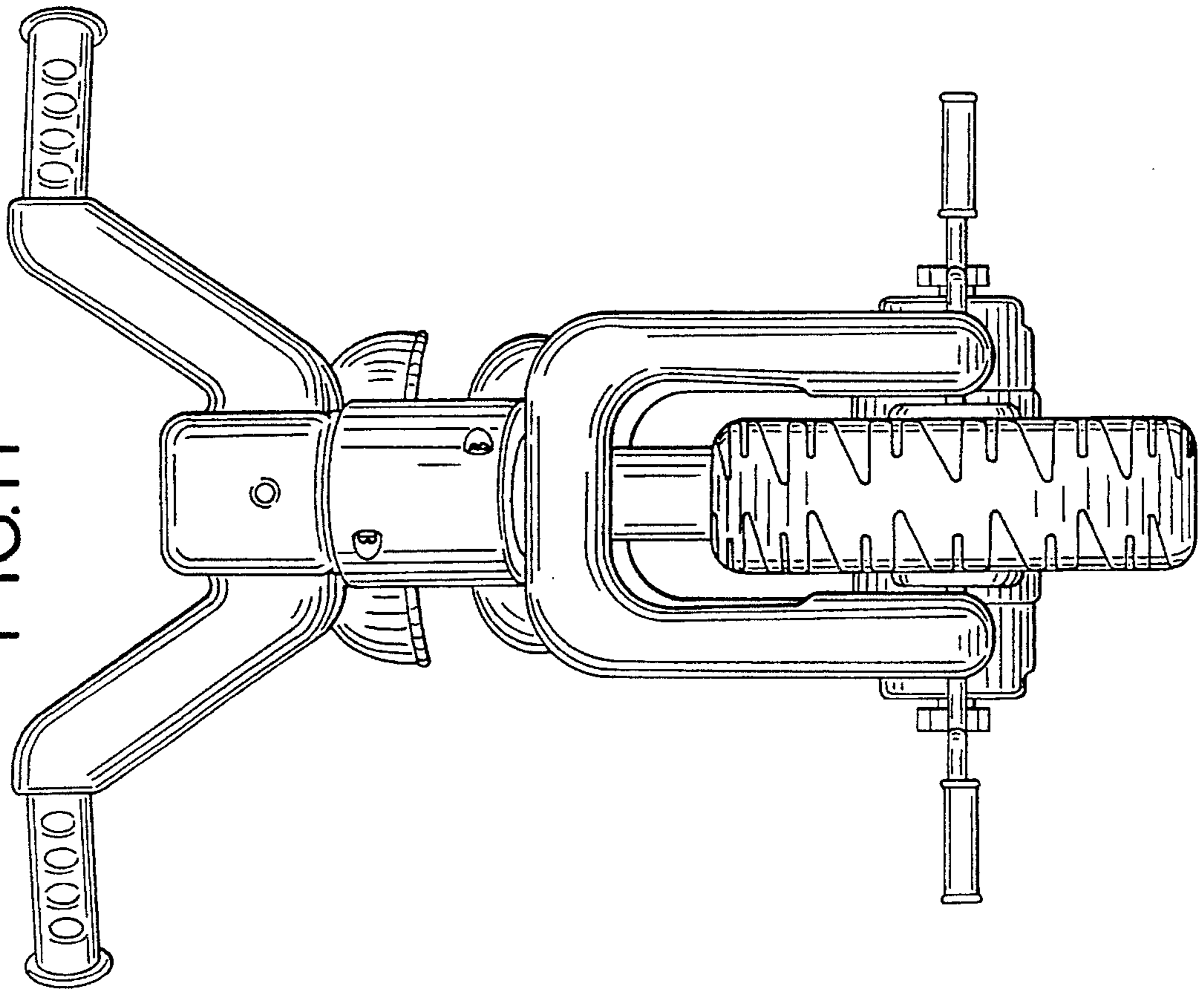


FIG.11



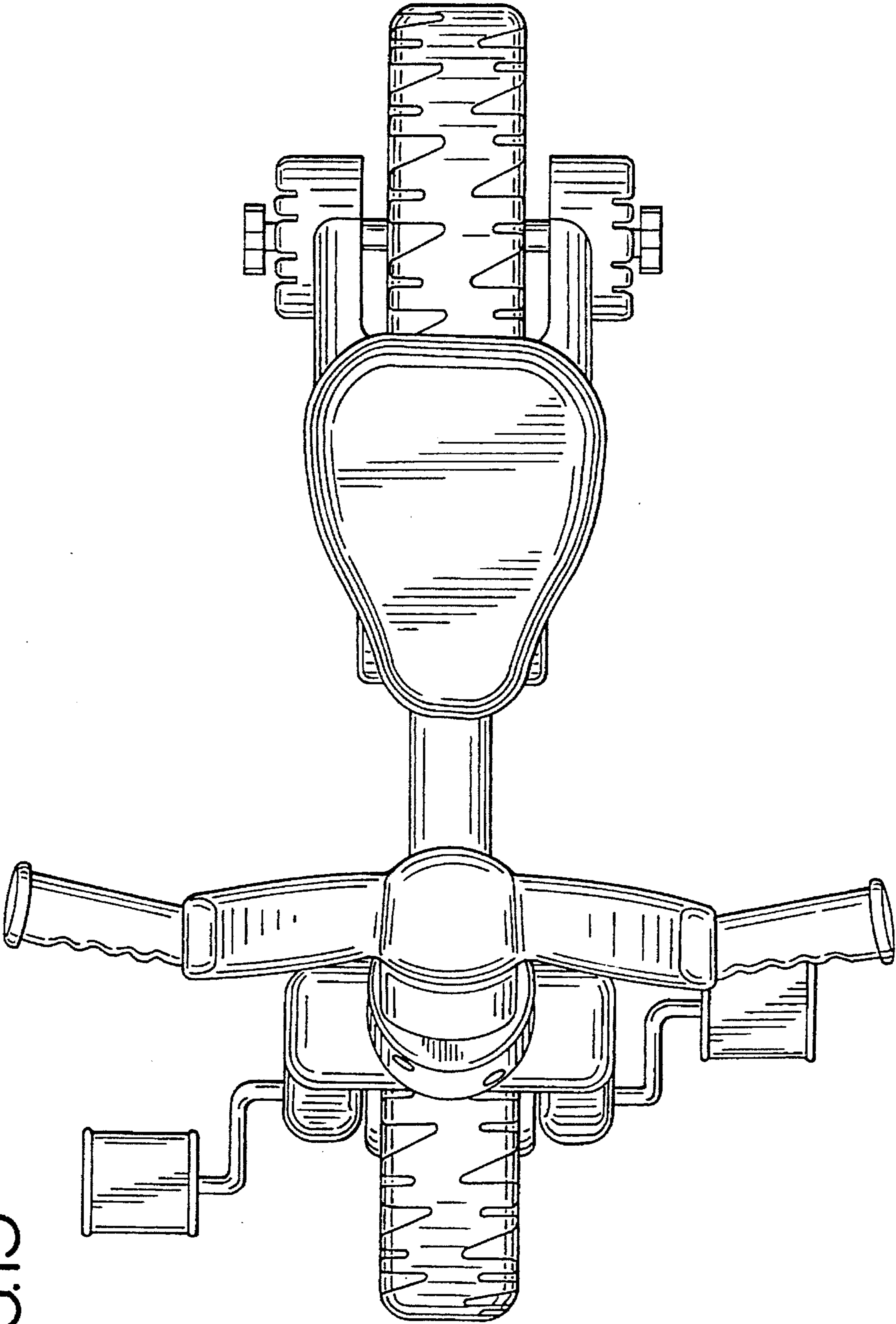


FIG.13

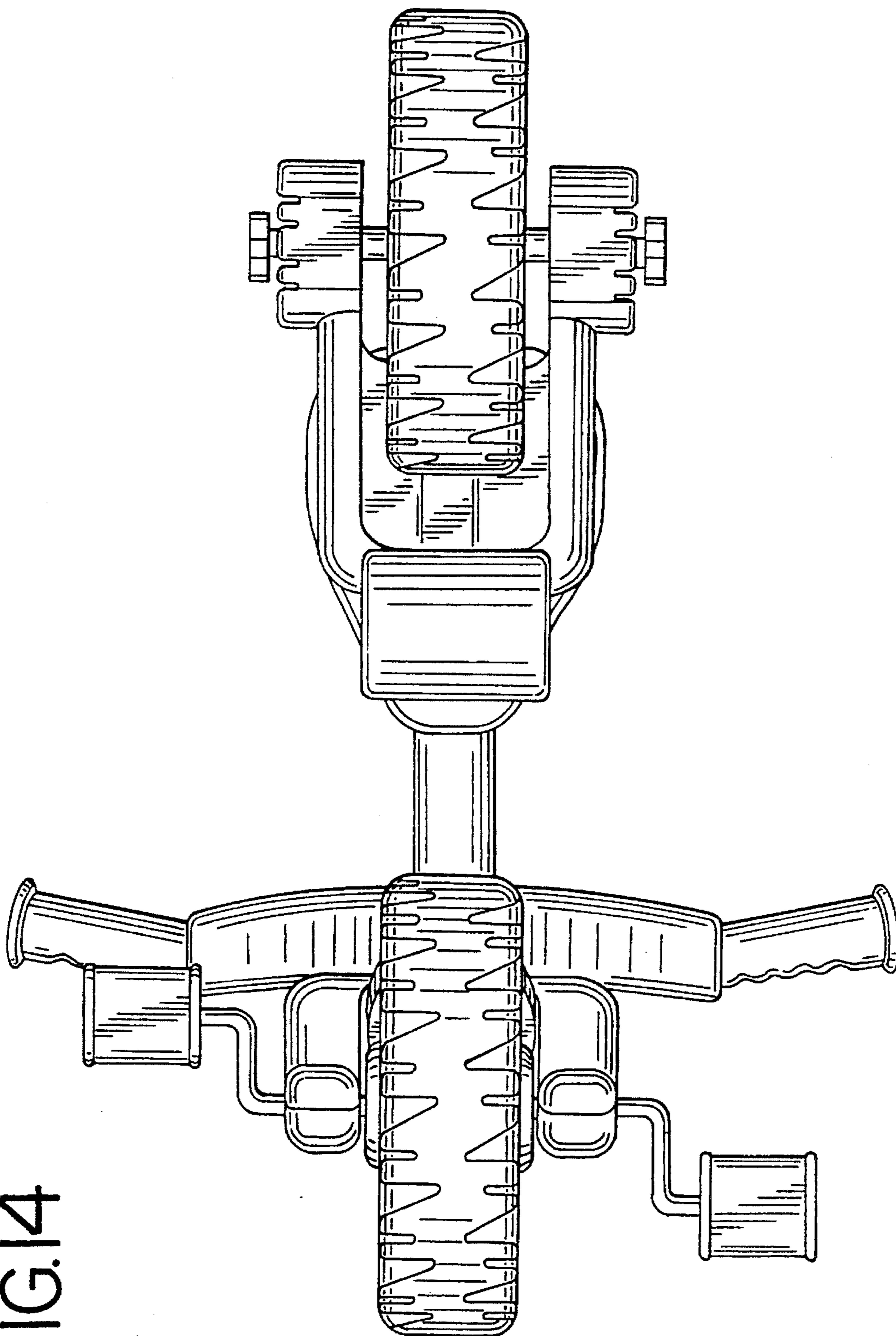


FIG.14

UNITED STATES PATENT AND TRADEMARK OFFICE
CERTIFICATE OF CORRECTION

PATENT NO. : Des. 369,331

DATED : April 30, 1996

INVENTOR(S) : Duane J. Niemeyer

It is certified that error appears in the above-identified patent and that said Letters Patent is hereby corrected as shown below:

Title page, item [56], under "References Cited Documents" delete "D. 171,610" and substitute --D. 170,610--.

**Signed and Sealed this
Twenty-eighth Day of January, 1997**

Attest:



BRUCE LEHMAN

Attesting Officer

Commissioner of Patents and Trademarks