



US00D369328S

United States Patent [19]

Acosta

[11] Patent Number: **Des. 369,328**

[45] Date of Patent: ****Apr. 30, 1996**

[54] **MOTORCYCLE TRAILER**

[76] Inventor: **John Acosta**, 13992 Green Vista Dr.,
Fontana, Calif. 92337

[**] Term: **14 Years**

[21] Appl. No.: **36,931**

[22] Filed: **Mar. 16, 1995**

[52] U.S. Cl. **D12/101**

[58] Field of Search D12/101, 105,
D12/102; 280/414.1, 402, 400, 789, 656;
414/495, 537

D. 278,615 4/1985 Law et al. D12/101
D. 336,869 6/1993 Leib et al. D12/101
3,713,553 1/1973 Curtis et al. 414/537

Primary Examiner—A. Hugo Word
Assistant Examiner—M. Brown
Attorney, Agent, or Firm—Gene Scott

[57] CLAIM

The ornamental design for a motorcycle trailer, as shown and described.

DESCRIPTION

FIG. 1 is a perspective view of a motorcycle trailer, showing my new design;

FIG. 2 is a right side elevation view thereof, the left side elevation view being a mirror image thereof;

FIG. 3 is a top plan view thereof;

FIG. 4 is a bottom plan view thereof;

FIG. 5 is a rear elevational view thereof; and,

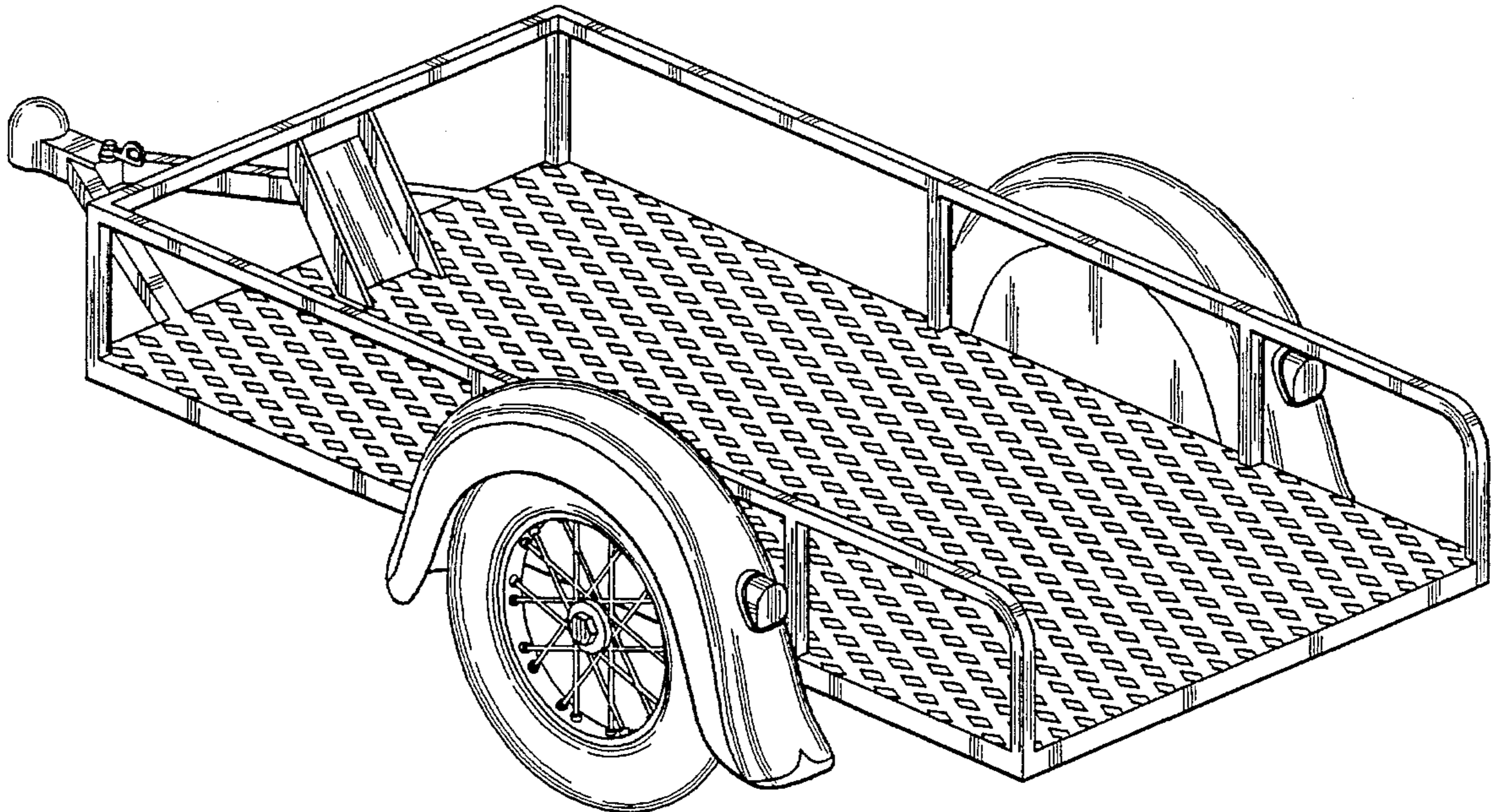
FIG. 6 is a front elevational view thereof.

[56] References Cited

U.S. PATENT DOCUMENTS

D. 226,655 4/1973 Ezell D12/101
D. 228,749 8/1973 Swenson D12/101
D. 245,495 8/1977 Henderson D12/101
D. 258,730 3/1981 Jenkins D12/101
D. 277,173 1/1985 Jenkins D12/101
D. 277,271 1/1985 Law D12/101

1 Claim, 5 Drawing Sheets



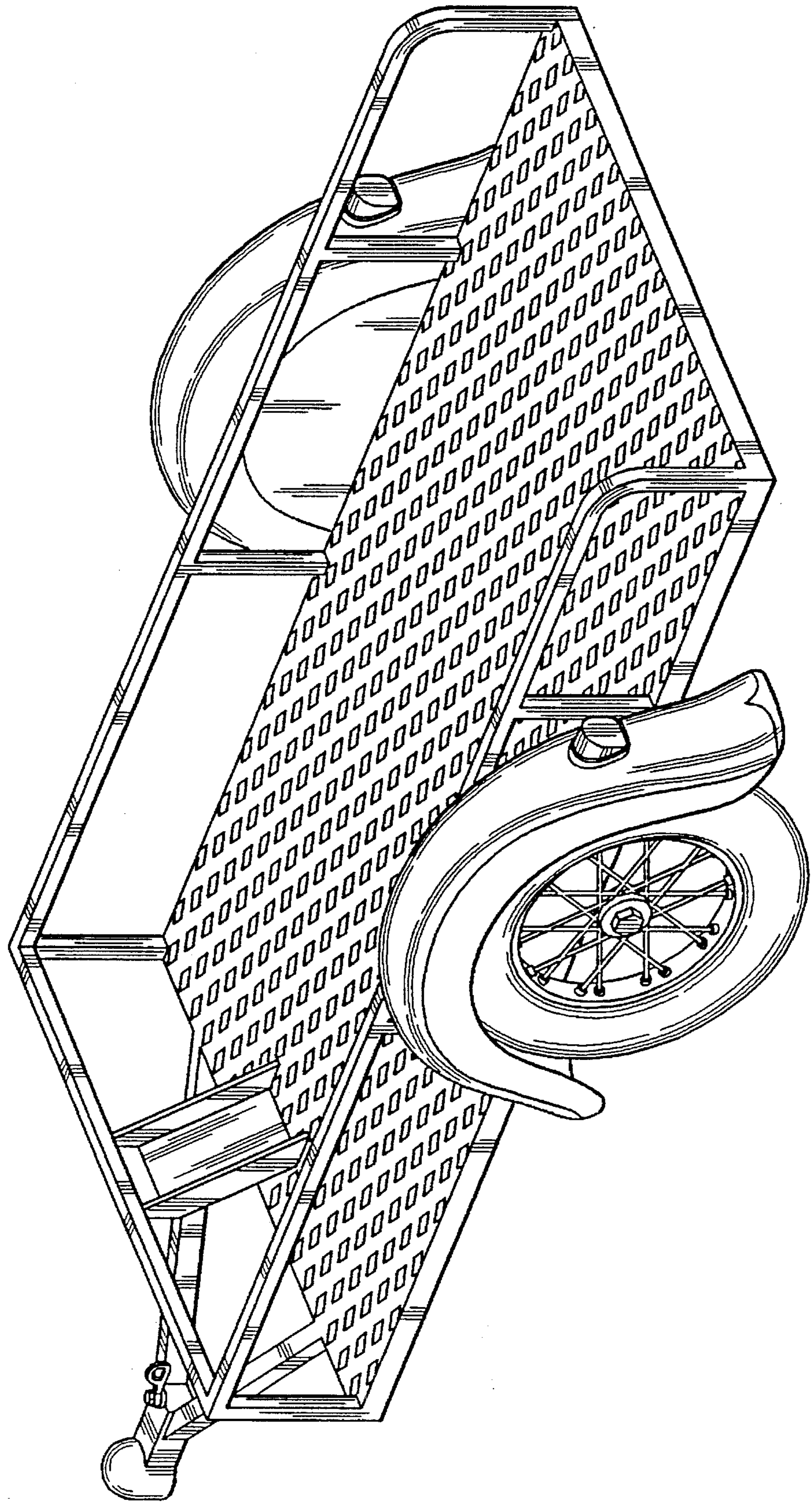


FIG 1

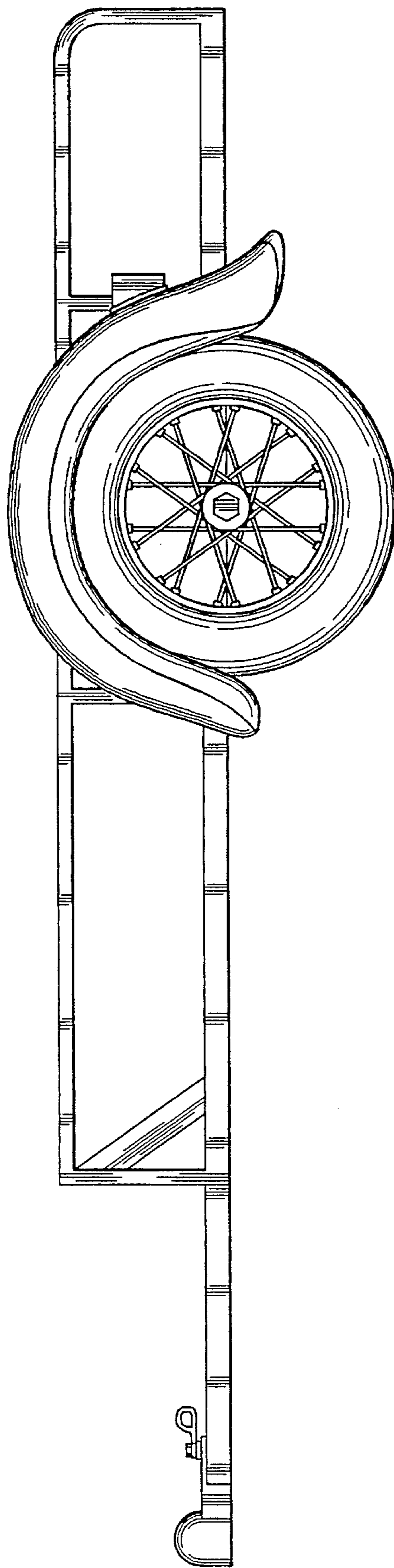


FIG 2

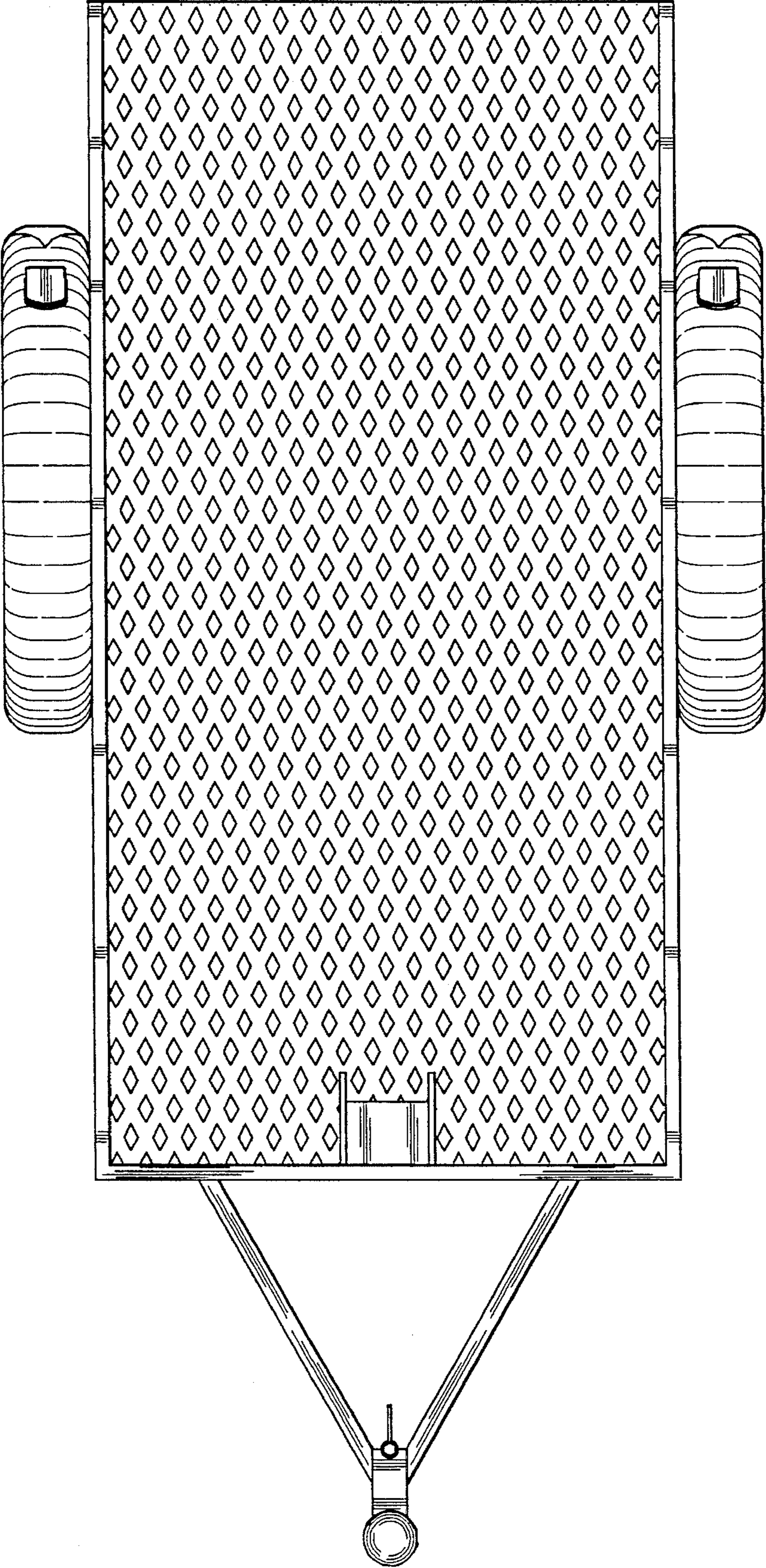


FIG 3

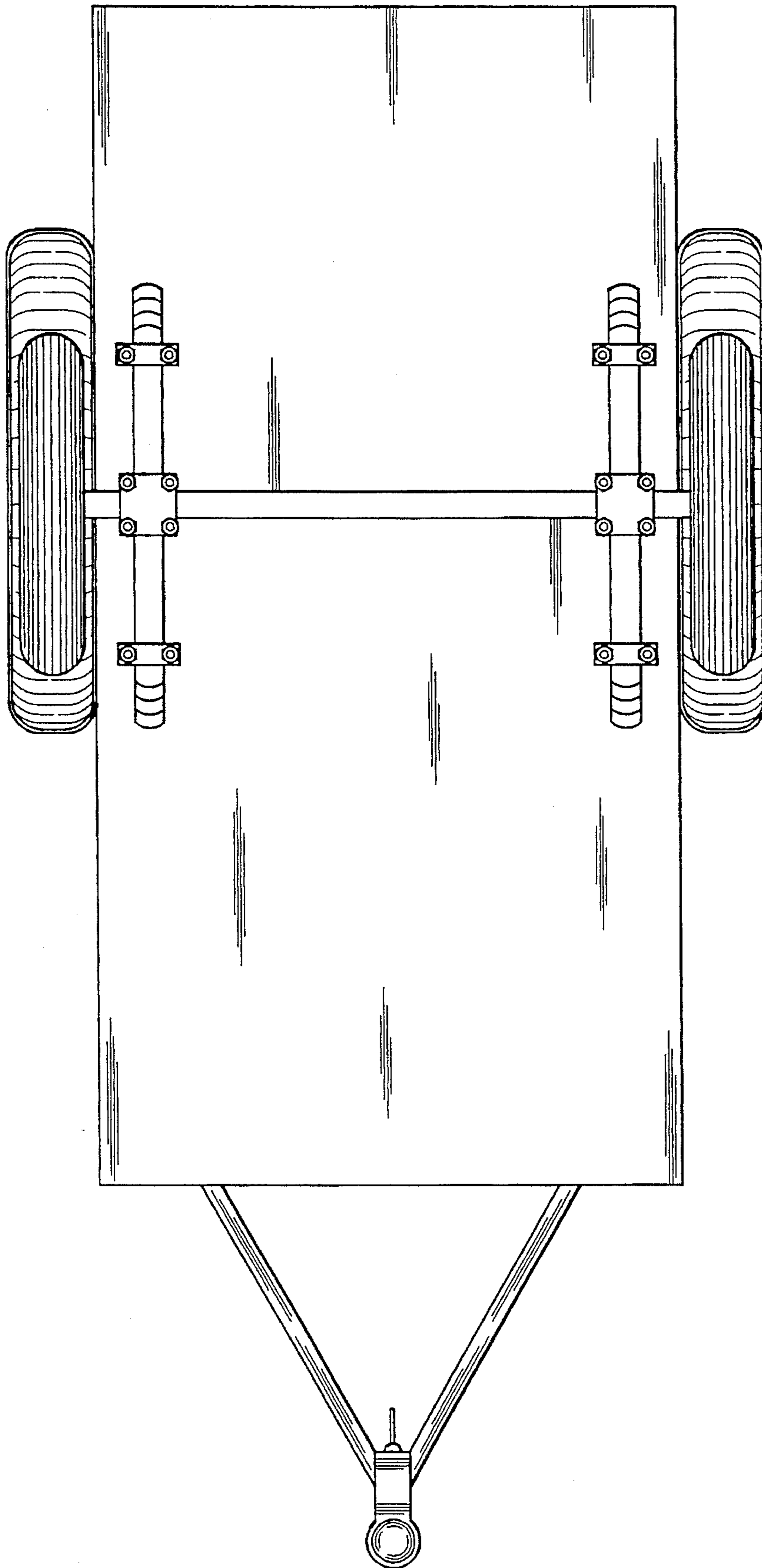


FIG 4

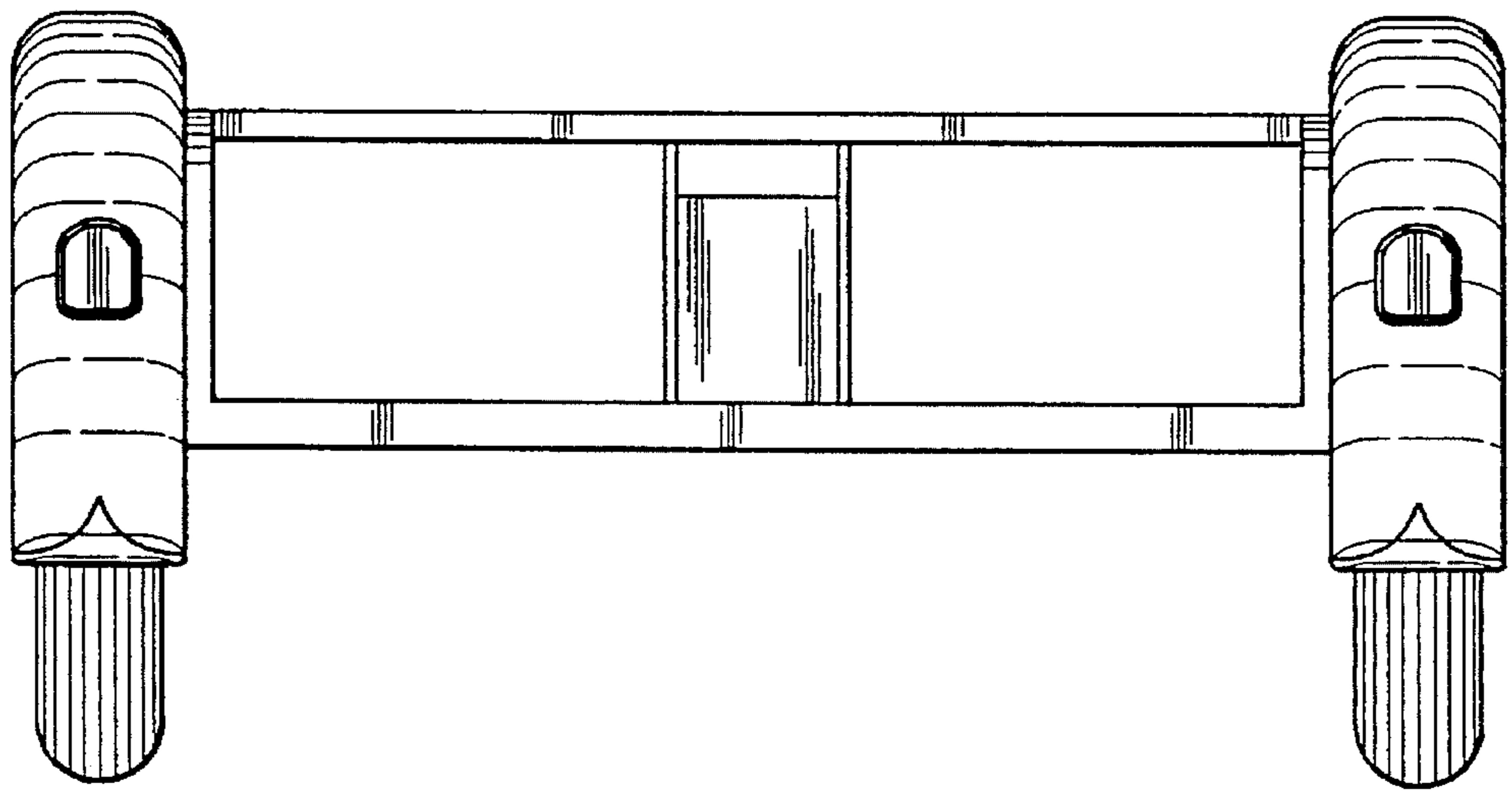


FIG 5

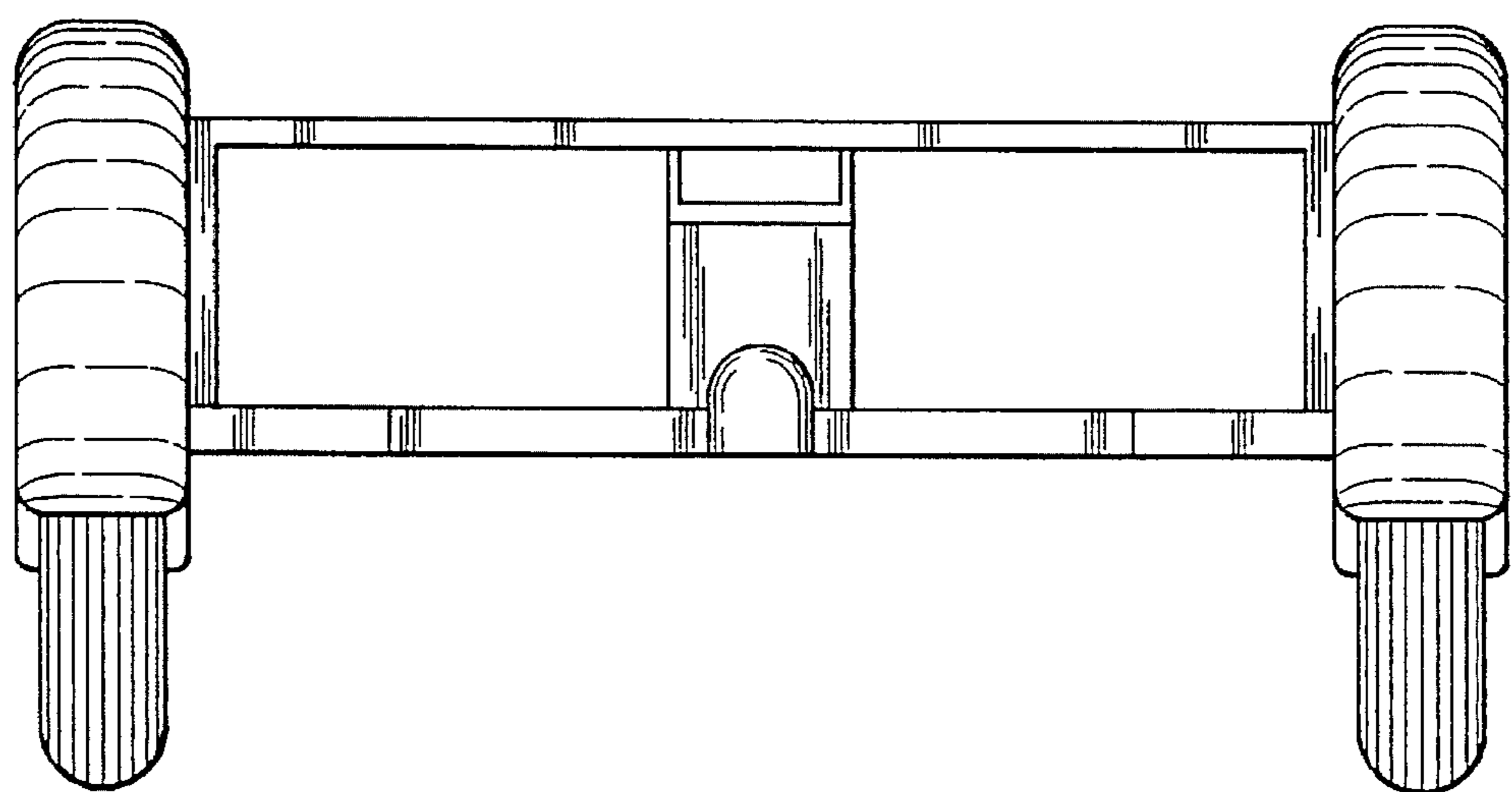


FIG 6