



US00D369306S

# United States Patent [19] Fisher

[11] Patent Number: **Des. 369,306**

[45] Date of Patent: **\*\*Apr. 30, 1996**

[54] **GRAPHIC MULTIMETER INSTRUMENT**  
[75] Inventor: **Steven W. Fisher**, Edmonds, Wash.  
[73] Assignee: **Fluke Corporation**, Everett, Wash.  
[\*\*] Term: **14 Years**

5,150,051 9/1992 Friedman et al. .... 324/115 X  
5,153,511 10/1992 Lee ..... 324/115  
5,166,599 11/1992 Hochreuther et al. .... 324/115

[21] Appl. No.: **33,397**  
[22] Filed: **Jan. 12, 1995**

### OTHER PUBLICATIONS

U.S. Ser. No. 019372 filed Mar. 1, 1994 to Ledbetter.

*Primary Examiner*—Antonine Duval Davis  
*Attorney, Agent, or Firm*—Richard A. Koske

### Related U.S. Application Data

[63] Continuation of Ser. No. 20,736, Mar. 31, 1994, abandoned.  
[52] **U.S. Cl.** ..... **D10/78**  
[58] **Field of Search** ..... D10/78; 324/72.5,  
324/73.1, 115, 149, 151 R, 151 A, 156,  
158 F

### [57] CLAIM

The ornamental design for a graphic multimeter instrument, as shown and described.

### [56] References Cited

#### U.S. PATENT DOCUMENTS

D. 261,488 10/1981 Lindsay et al. .... D10/78  
314,715 2/1991 Nelson et al. .... 10/78  
351,112 10/1994 Fisher et al. .... 10/78  
353,342 12/1994 King et al. .... 10/78  
D. 358,348 5/1995 Burgess ..... D10/78

### DESCRIPTION

FIG. 1 is a perspective view of a graphic multimeter instrument showing my new design with the support shown extended;  
FIG. 2 is a front elevational view;  
FIG. 3 is a right side elevational view;  
FIG. 4 is a left side elevational view;  
FIG. 5 is a top plan view;  
FIG. 6 is a bottom plan view; and,  
FIG. 7 is a rear elevational view thereof.

**1 Claim, 5 Drawing Sheets**

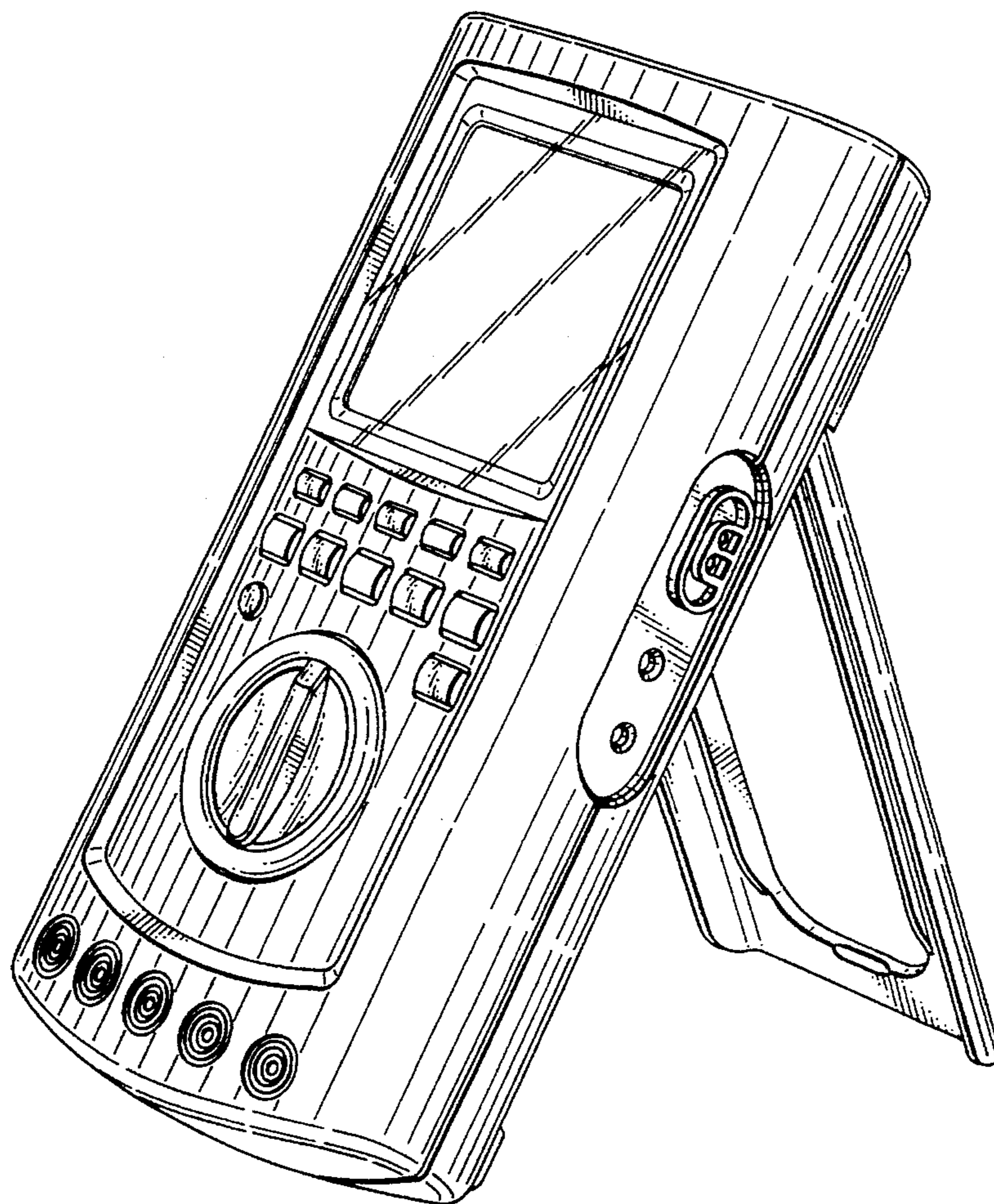


FIG. 1

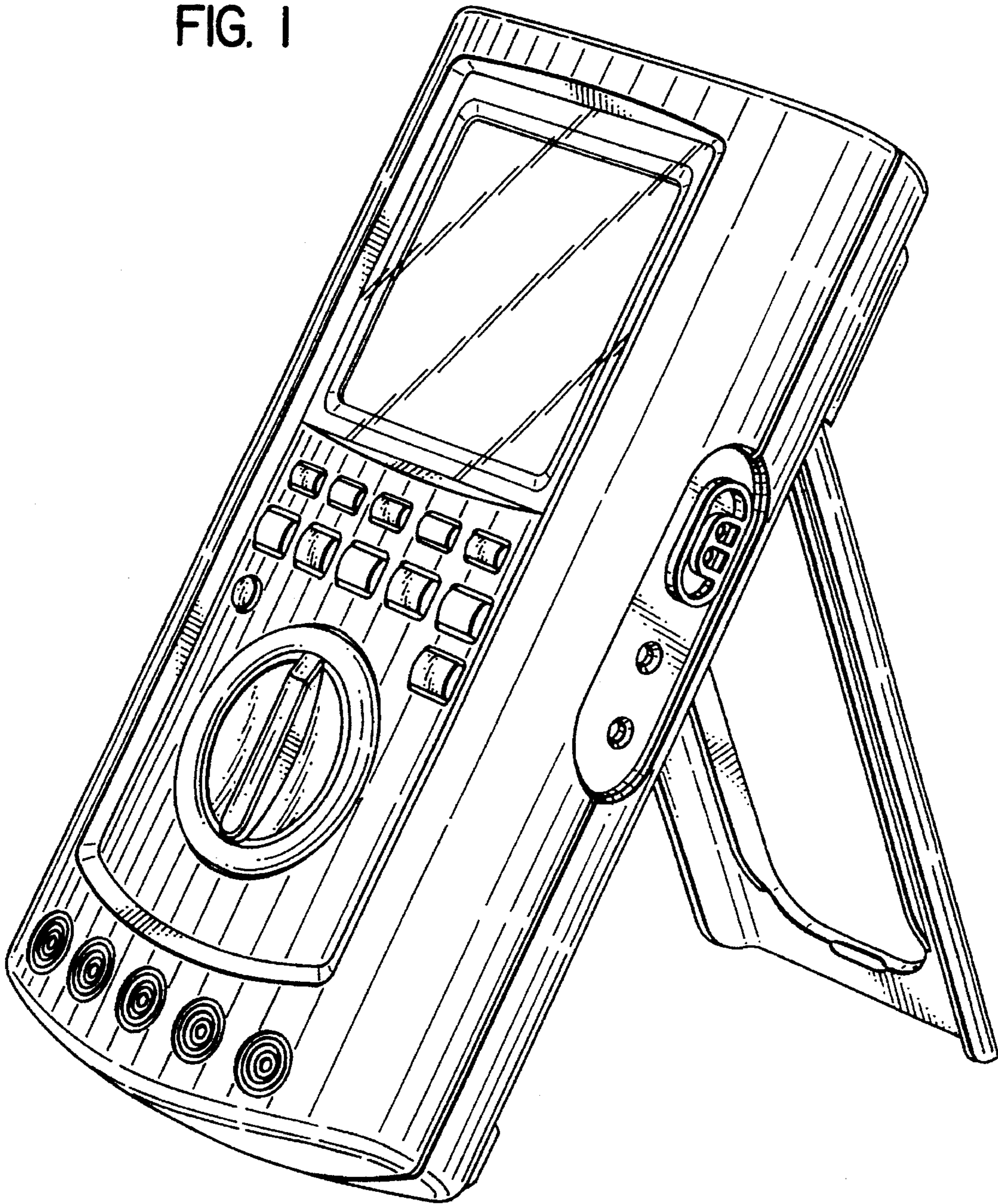


FIG. 2

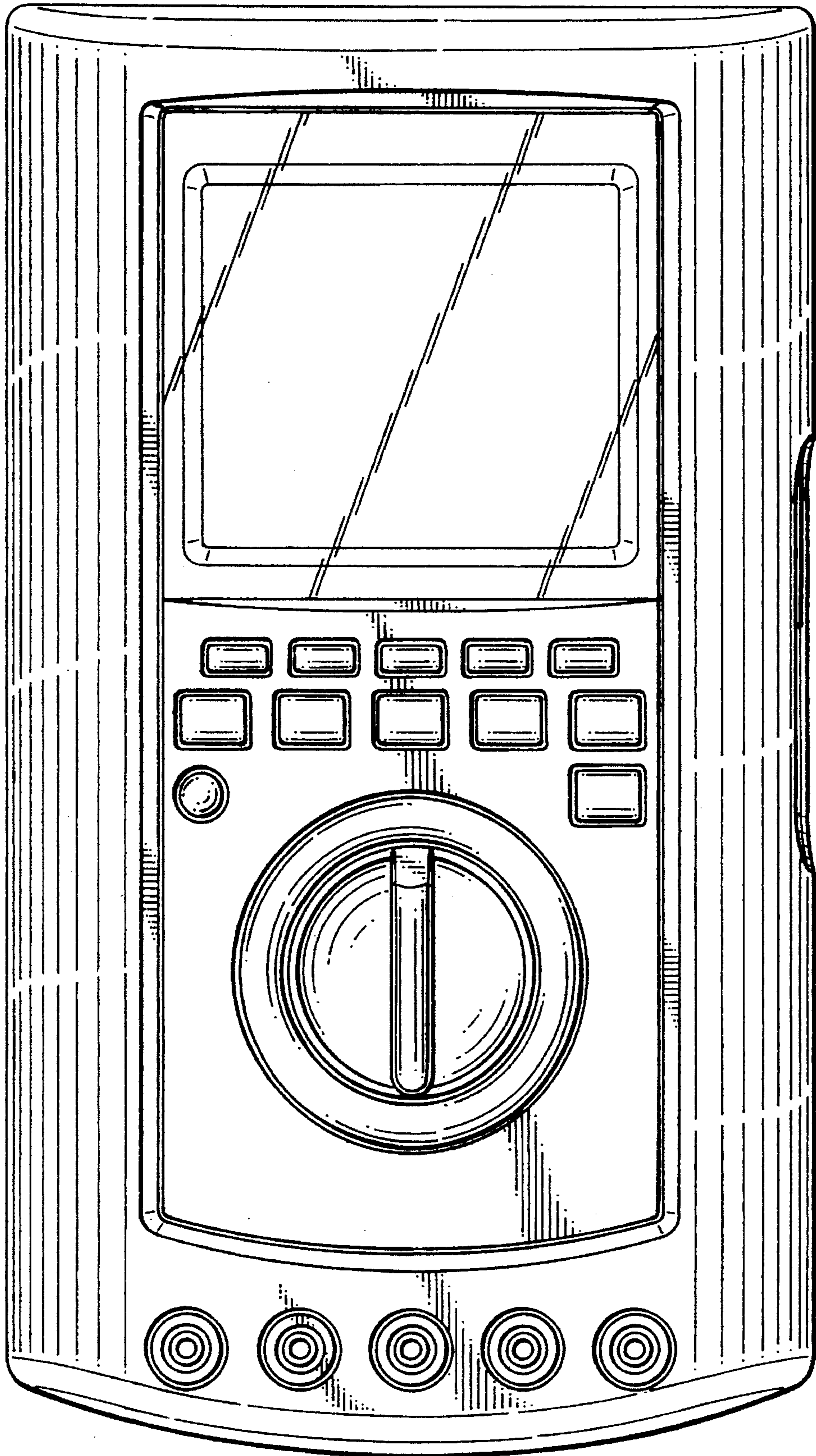


FIG. 3

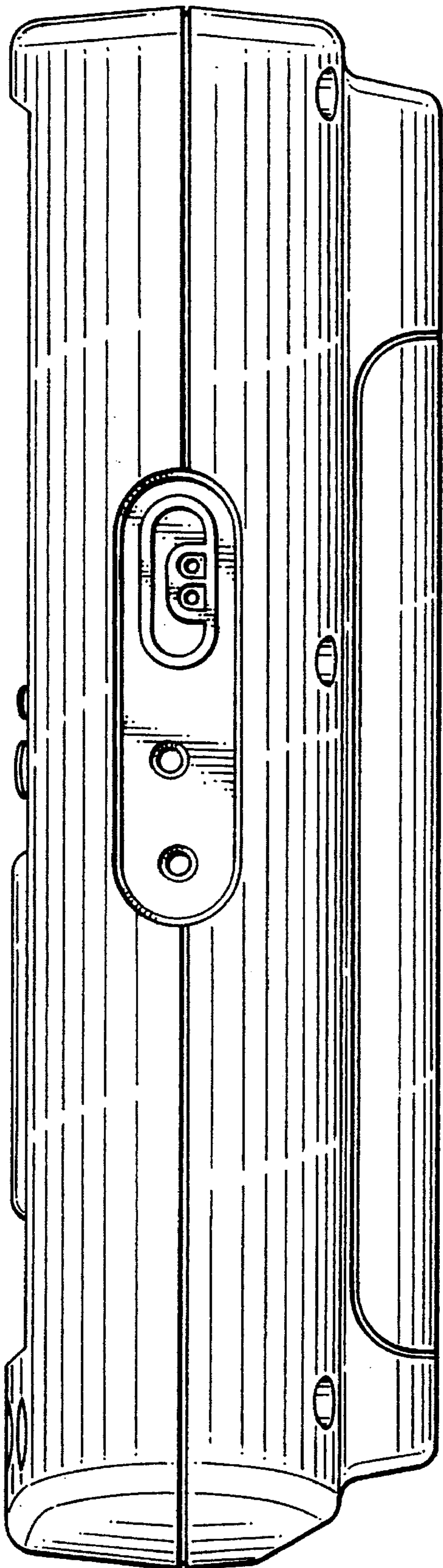


FIG. 4

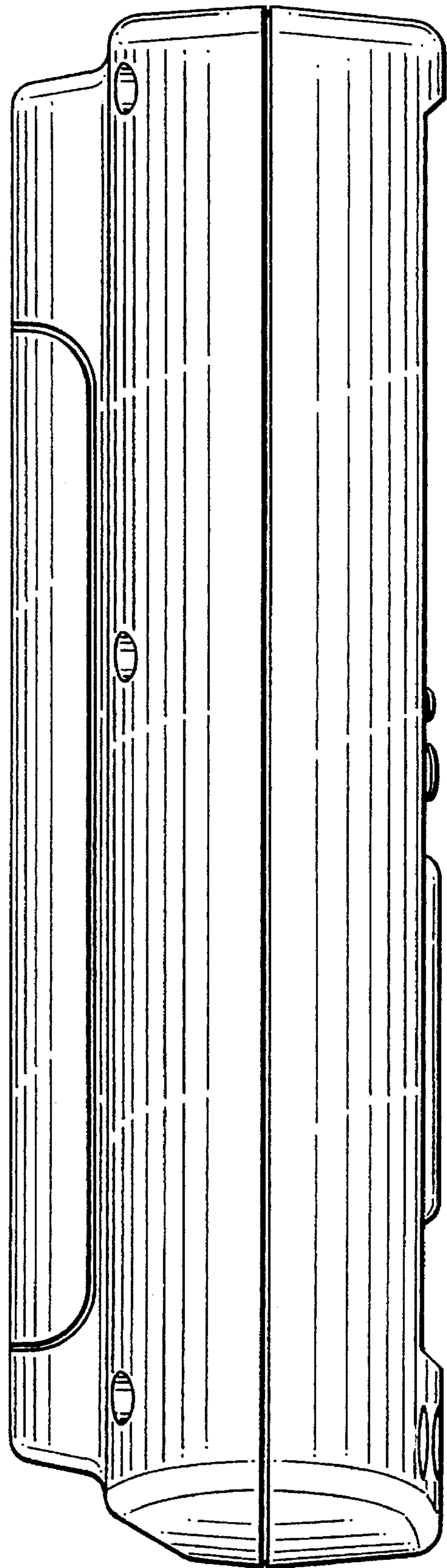


FIG. 5

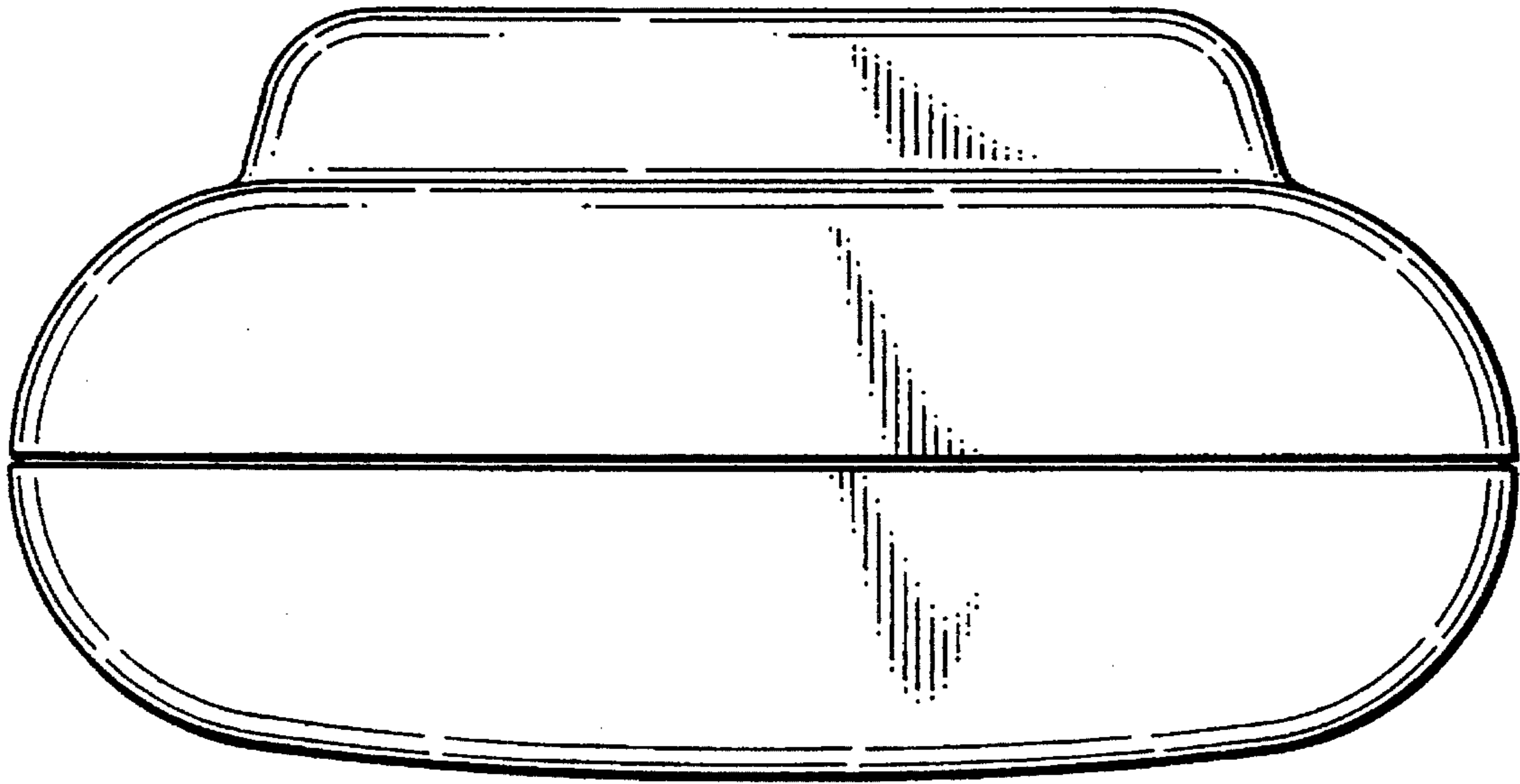


FIG. 6

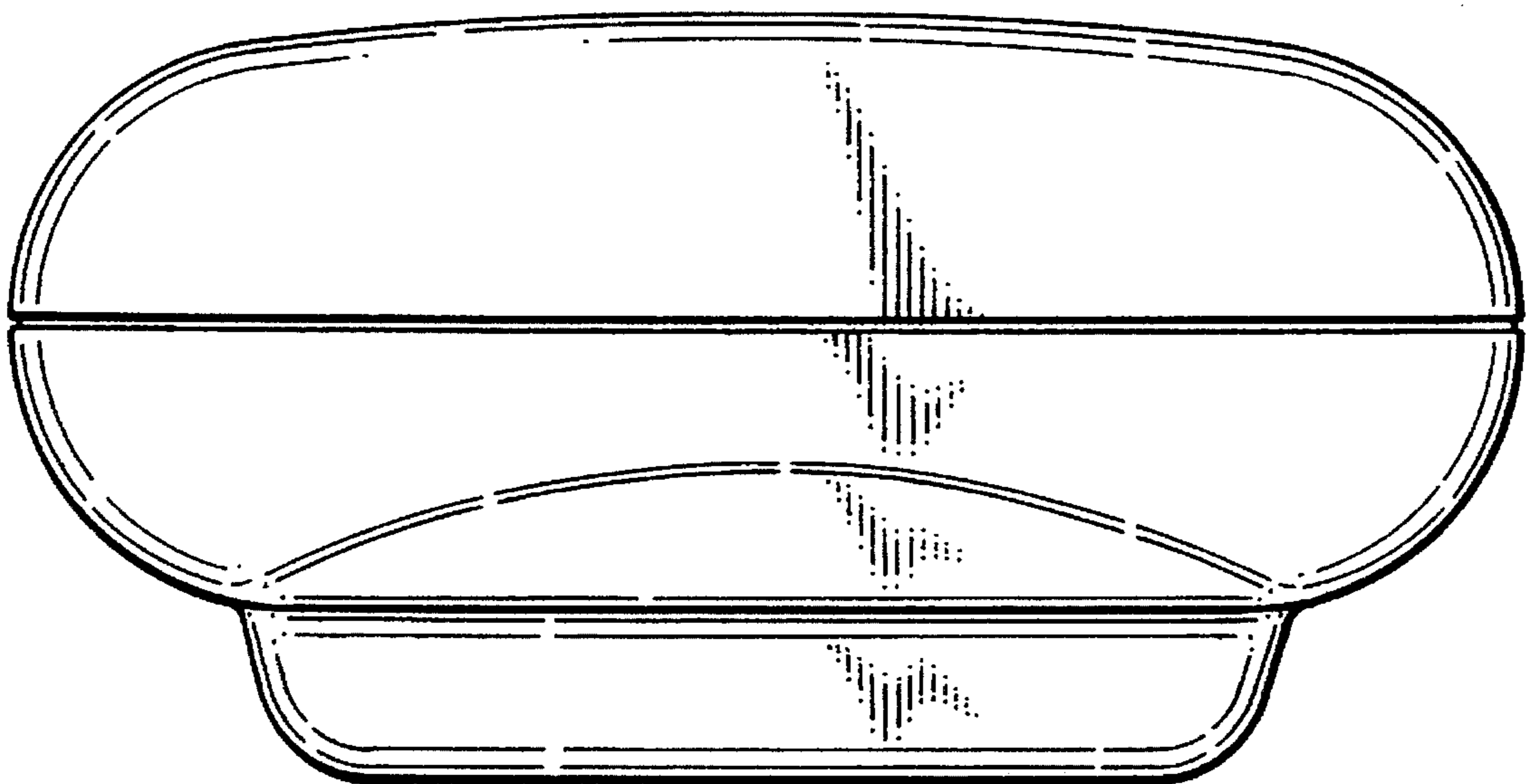


FIG. 7

