



US00D369305S

**United States Patent** [19]  
**Shih**

[11] **Patent Number: Des. 369,305**

[45] **Date of Patent: \*\*Apr. 30, 1996**

[54] **BELL HAVING GYRO**

3,680,391 8/1972 Denis ..... 73/505

[76] **Inventor: Michael Shih, No. 3, Hsing Yeh Road, Fu Hsing Industrial Zone, Fu Hsing Hsiang, Chang Hua, Taiwan**

*Primary Examiner*—Antoine Duval Davis  
*Attorney, Agent, or Firm*—Charles E. Baxley

[\*\*] **Term: 14 Years**

[57] **CLAIM**

The ornamental design for a bell having gyro, as shown and described.

[21] **Appl. No.: 36,098**

**DESCRIPTION**

[22] **Filed: Mar. 13, 1995**

[52] **U.S. Cl. .... D10/68**

FIG. 1 is a perspective view of a bell having a gyro showing my new design;

[58] **Field of Search ..... D10/68; 33/272, 33/273; 73/505**

FIG. 2 is a front elevational view thereof;

FIG. 3 is a rear elevational view thereof;

FIG. 4 is a left side elevational view thereof;

FIG. 5 is a right side elevational view thereof;

FIG. 6 is a top plan view thereof; and,

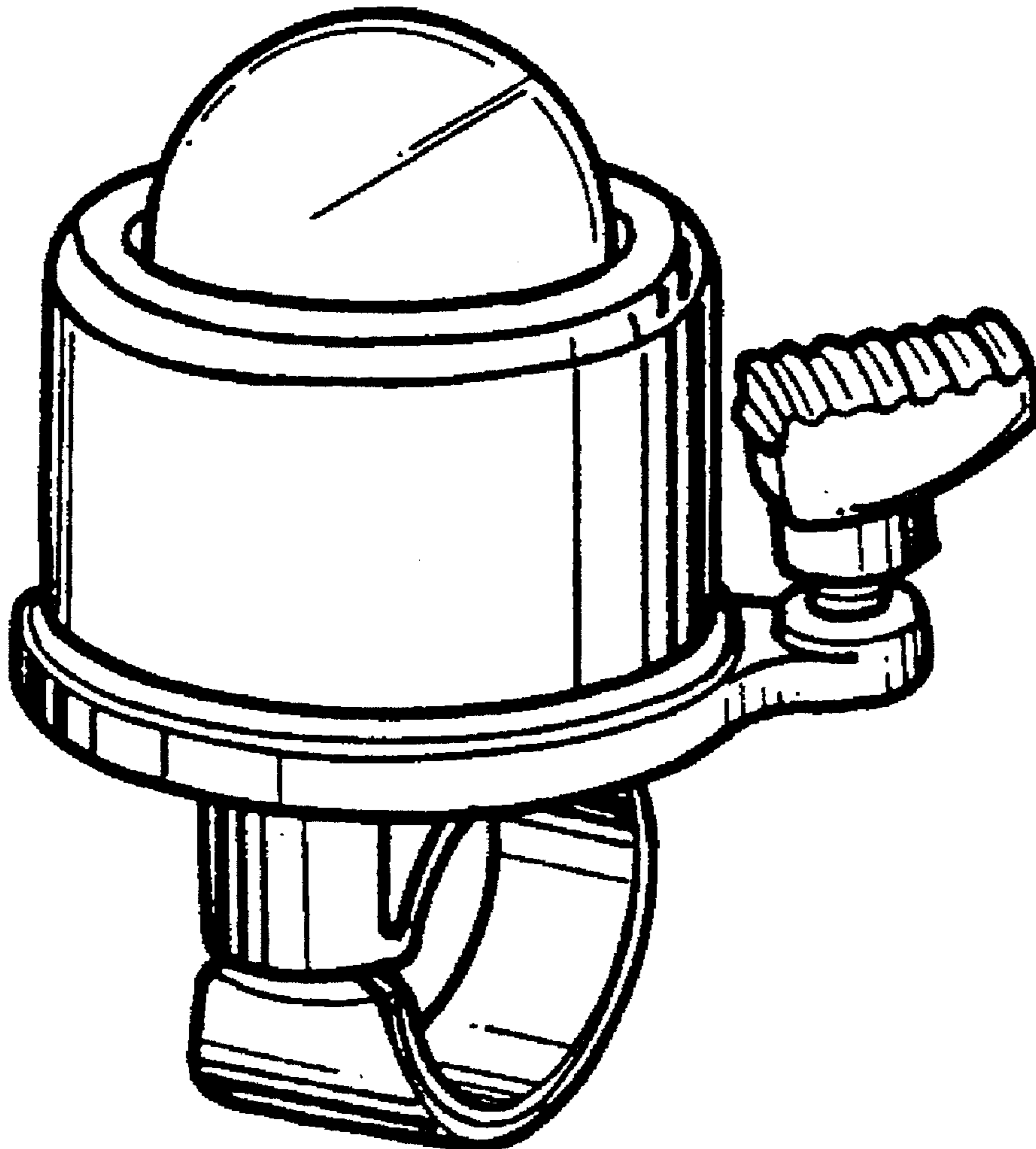
FIG. 7 is a bottom plan view thereof.

[56] **References Cited**

**U.S. PATENT DOCUMENTS**

D. 228,573	10/1973	Yusa .....	D10/68
D. 235,854	7/1975	Lapeyre .....	D10/68
3,656,354	4/1972	Lynch .....	73/505
3,678,762	7/1972	Denis .....	73/505

**1 Claim, 2 Drawing Sheets**



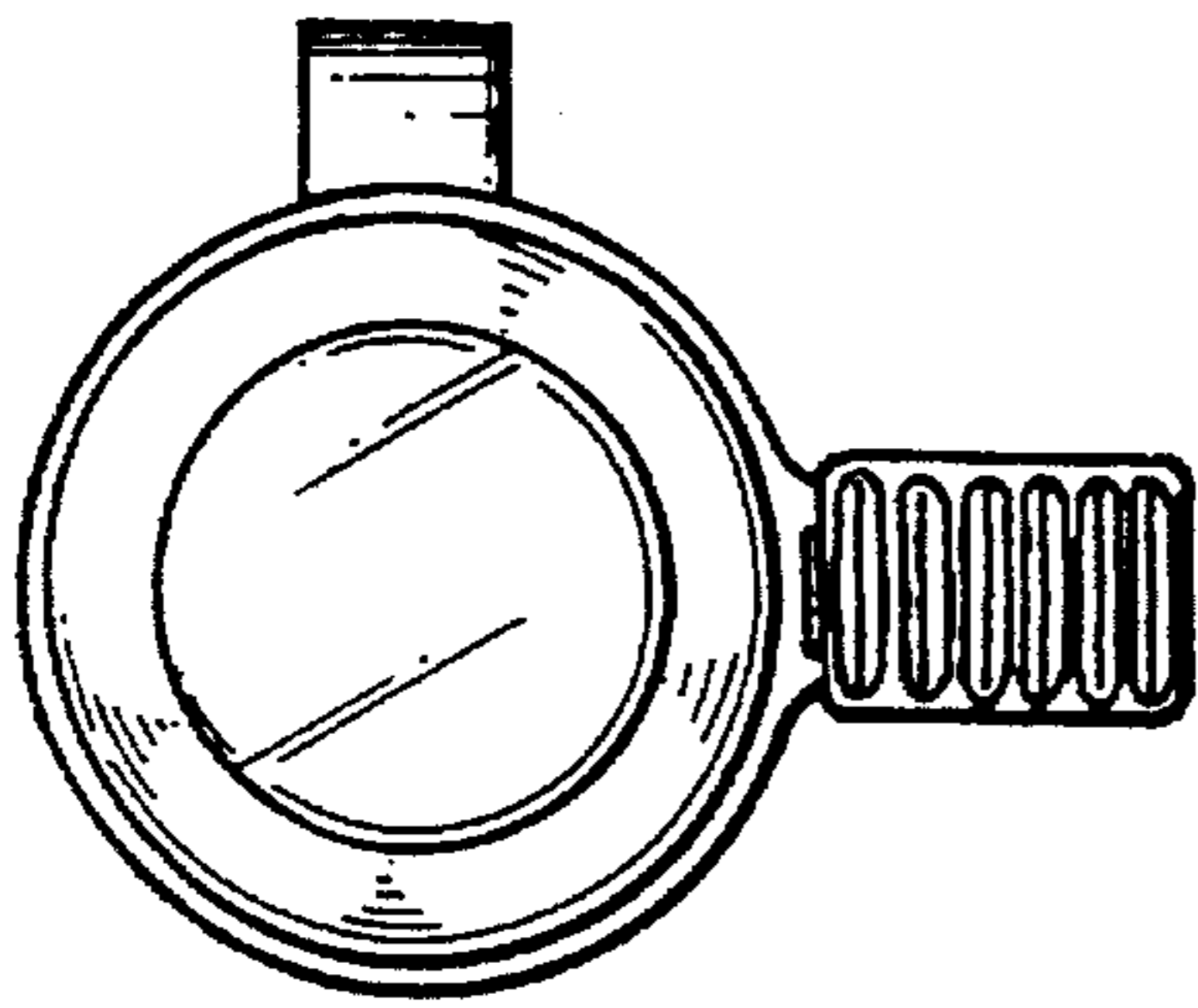


FIG. 6

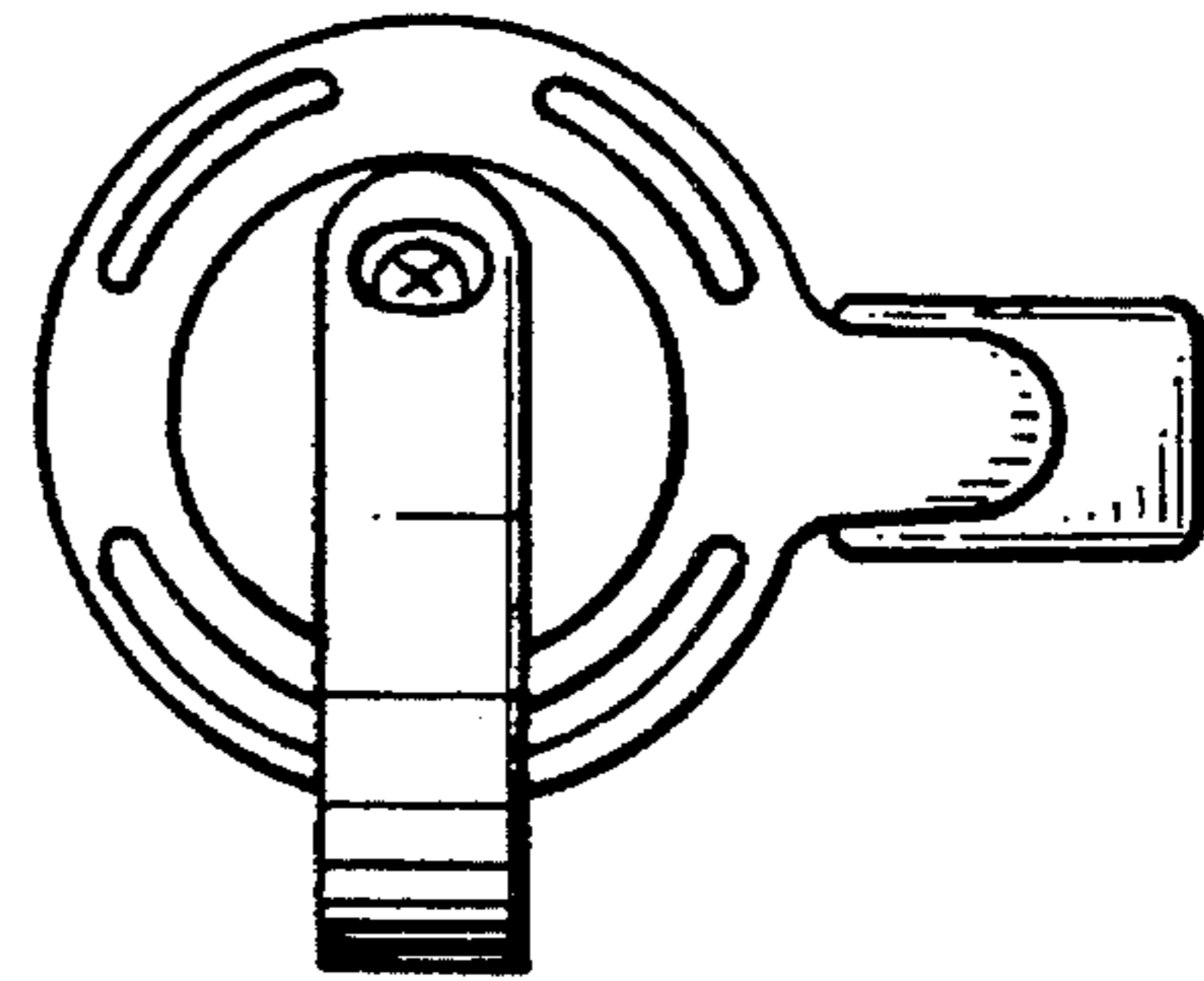


FIG. 7

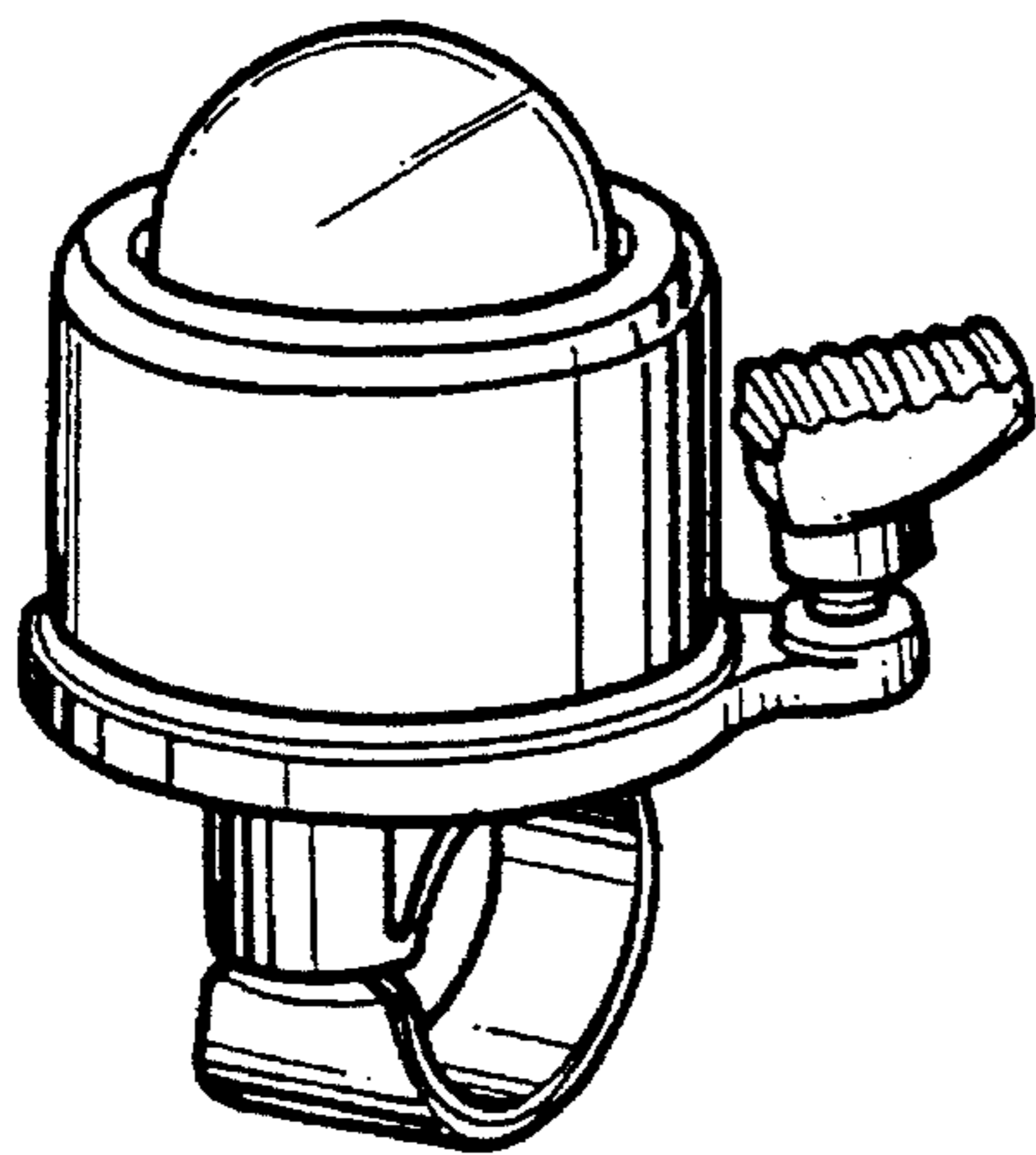


FIG. 1

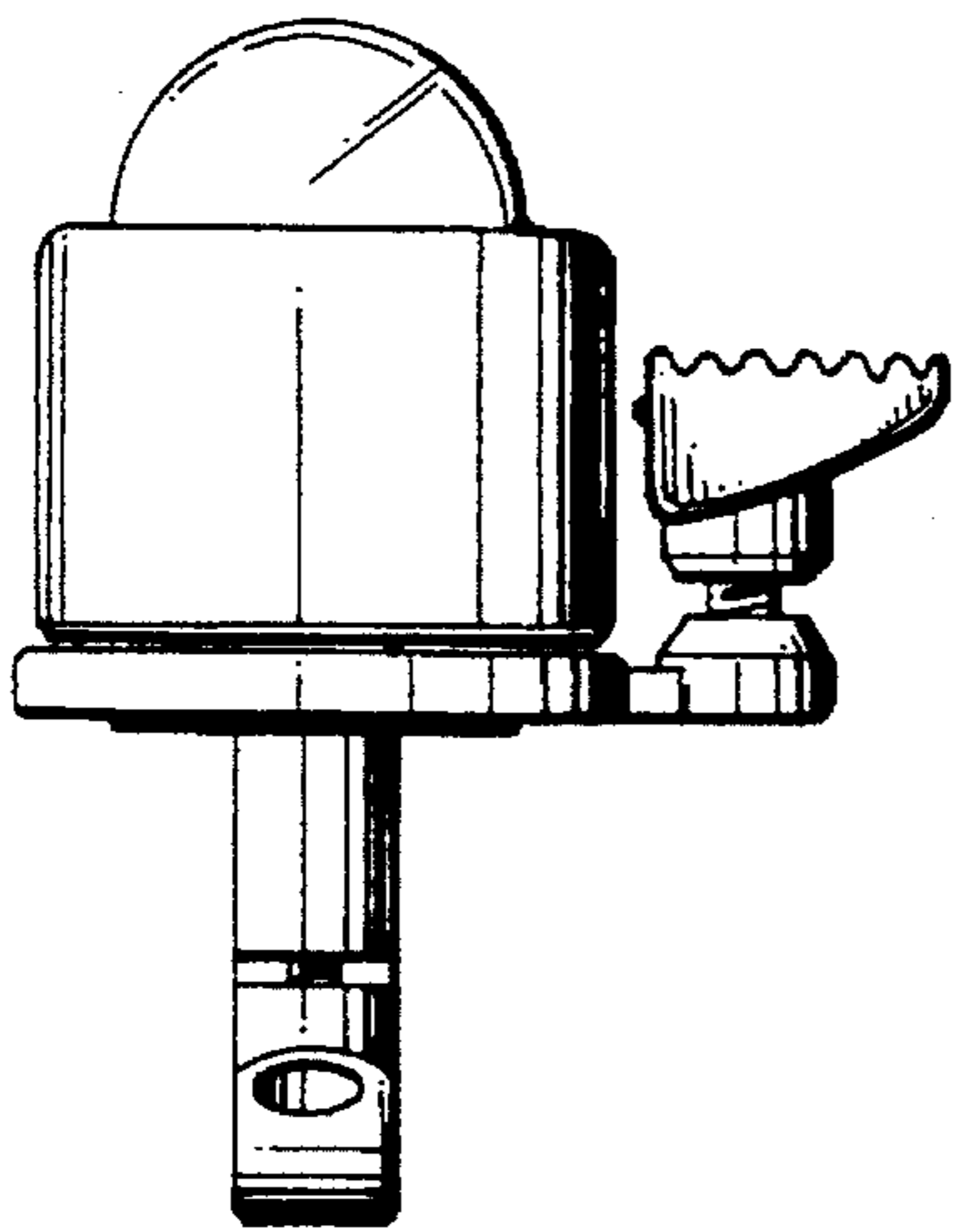


FIG. 2

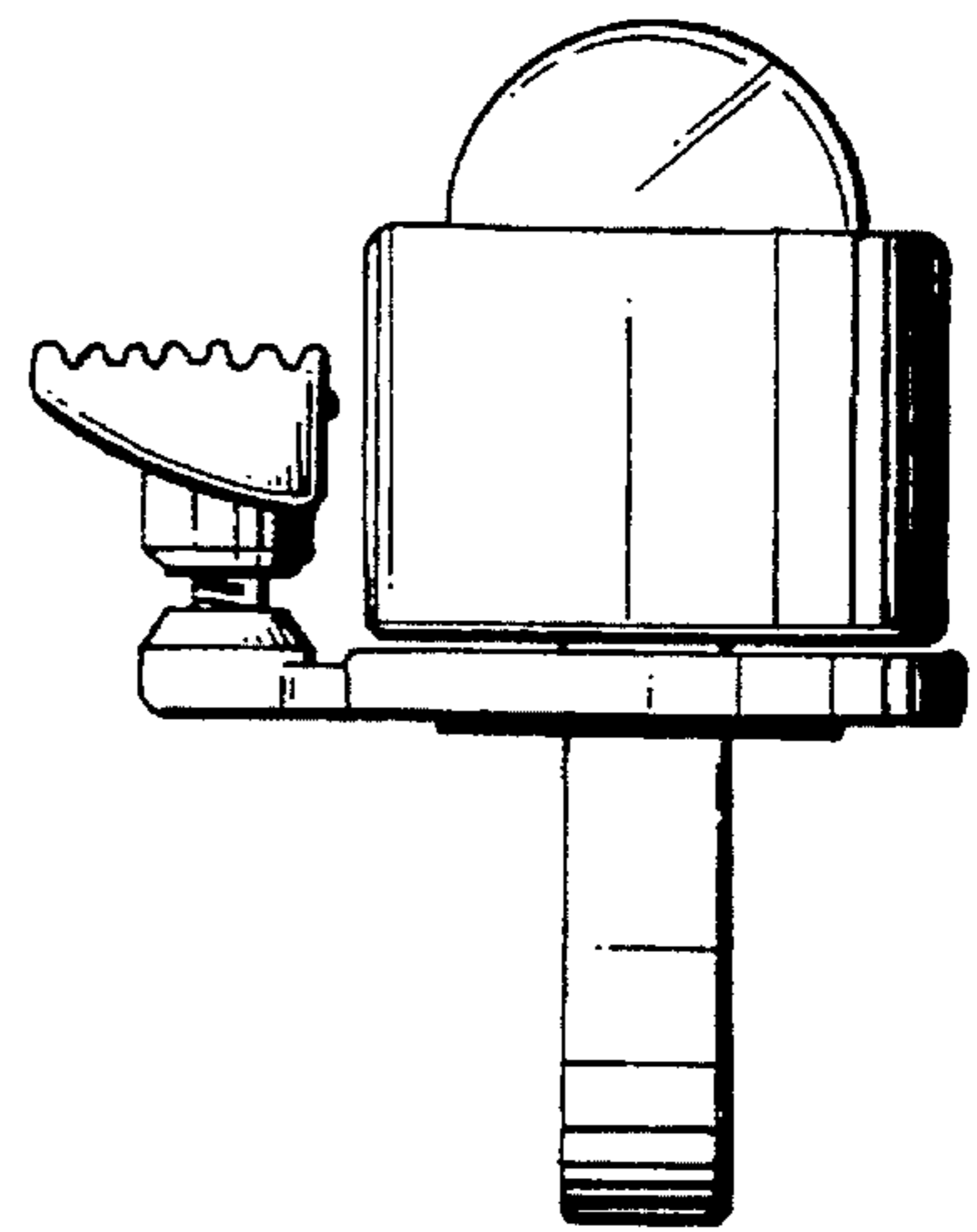


FIG. 3

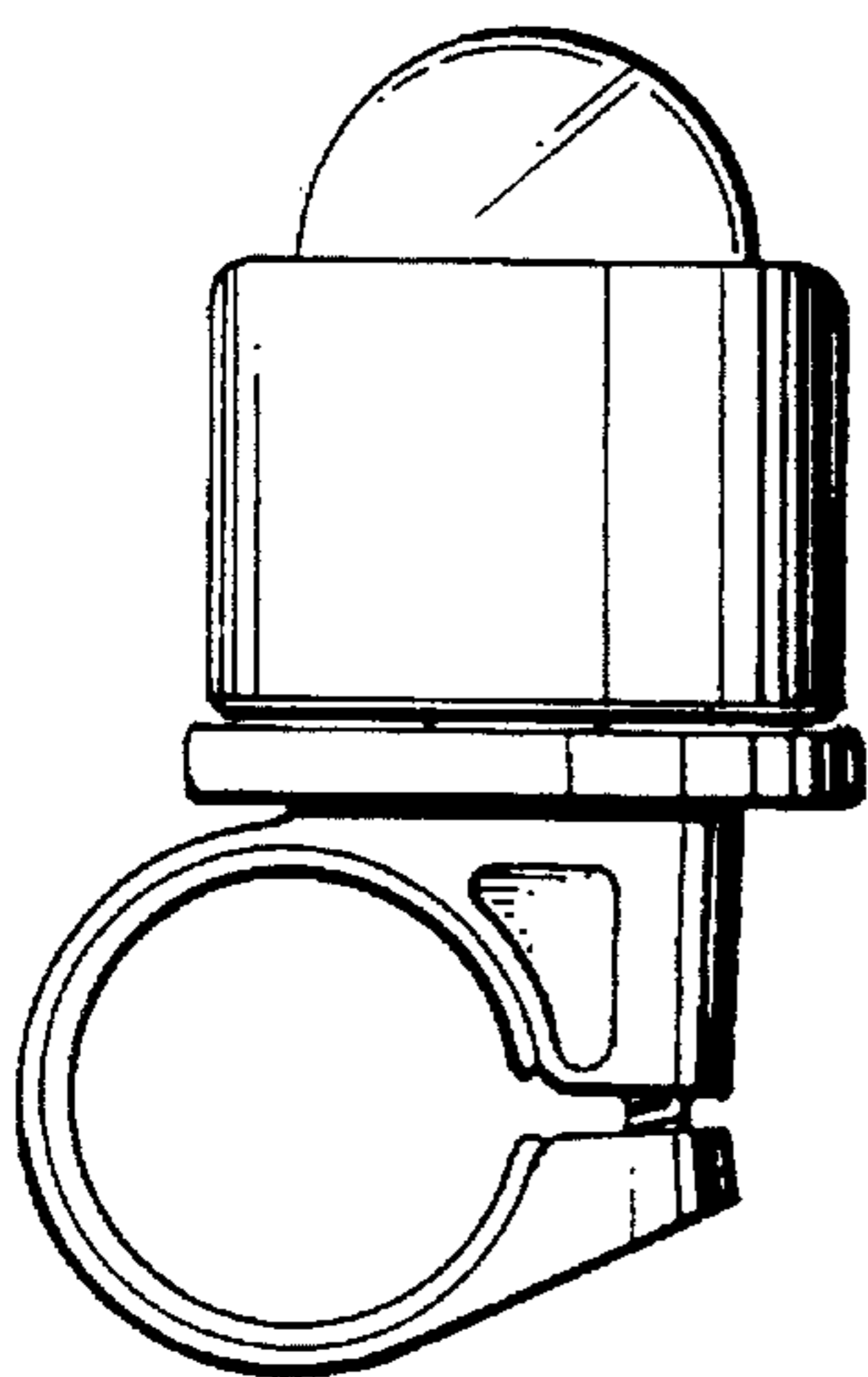


FIG. 4

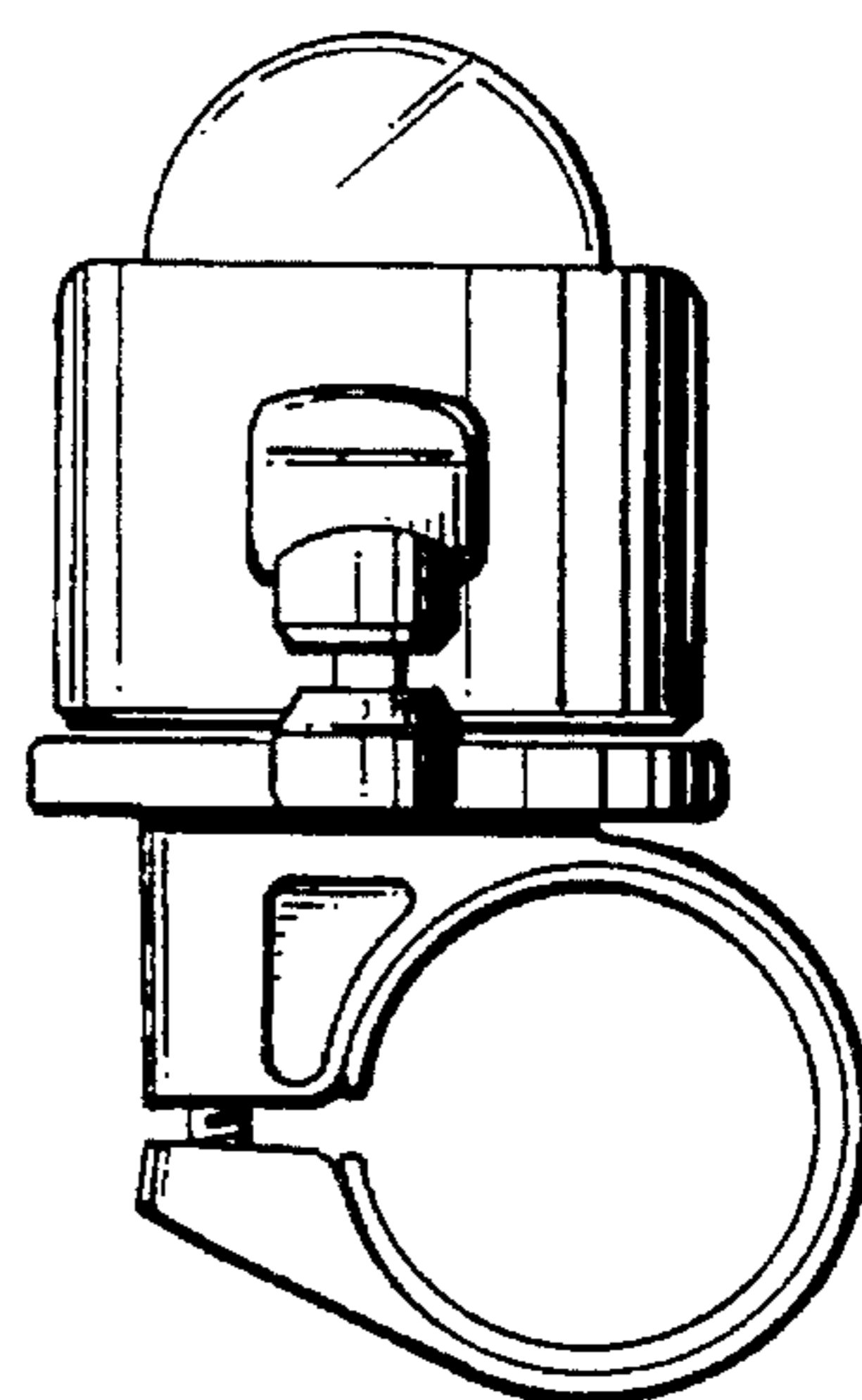


FIG. 5