



US00D369304S

# United States Patent [19]

[11] Patent Number: **Des. 369,304**

## Weterrings

[45] Date of Patent: **\*\*Apr. 30, 1996**

[54] **ADJUSTABLE MEASURING CONTAINER**

Attorney, Agent, or Firm—Curtis, Morris & Safford

[75] Inventor: **Frans M. Weterrings**, Tuscumbia, Ala.

### [57] CLAIM

[73] Assignee: **Robbins Industries, Inc.**, Florence, Ala.

The ornamental design for a adjustable measuring container, as shown and described.

[\*\*] Term: **14 Years**

### DESCRIPTION

[21] Appl. No.: **36,674**

FIG. 1 is a top plan view of the adjustable measuring container showing my new design;

[22] Filed: **Mar. 24, 1995**

[52] U.S. Cl. .... **D10/46.3**

[58] Field of Search ..... **D10/46.2, 46.3; 73/426-429**

FIG. 2 is a left side elevation view thereof;

FIG. 3 is a rear elevation view thereof;

FIG. 4 is a front elevation view thereof;

FIG. 5 is a bottom plan view thereof; and,

FIG. 6 is a perspective view thereof, with the outer housing elevated to a position higher than that in which it is shown in FIGS. 1-5, and also showing the right side of the adjustable measuring container.

### [56] References Cited

#### U.S. PATENT DOCUMENTS

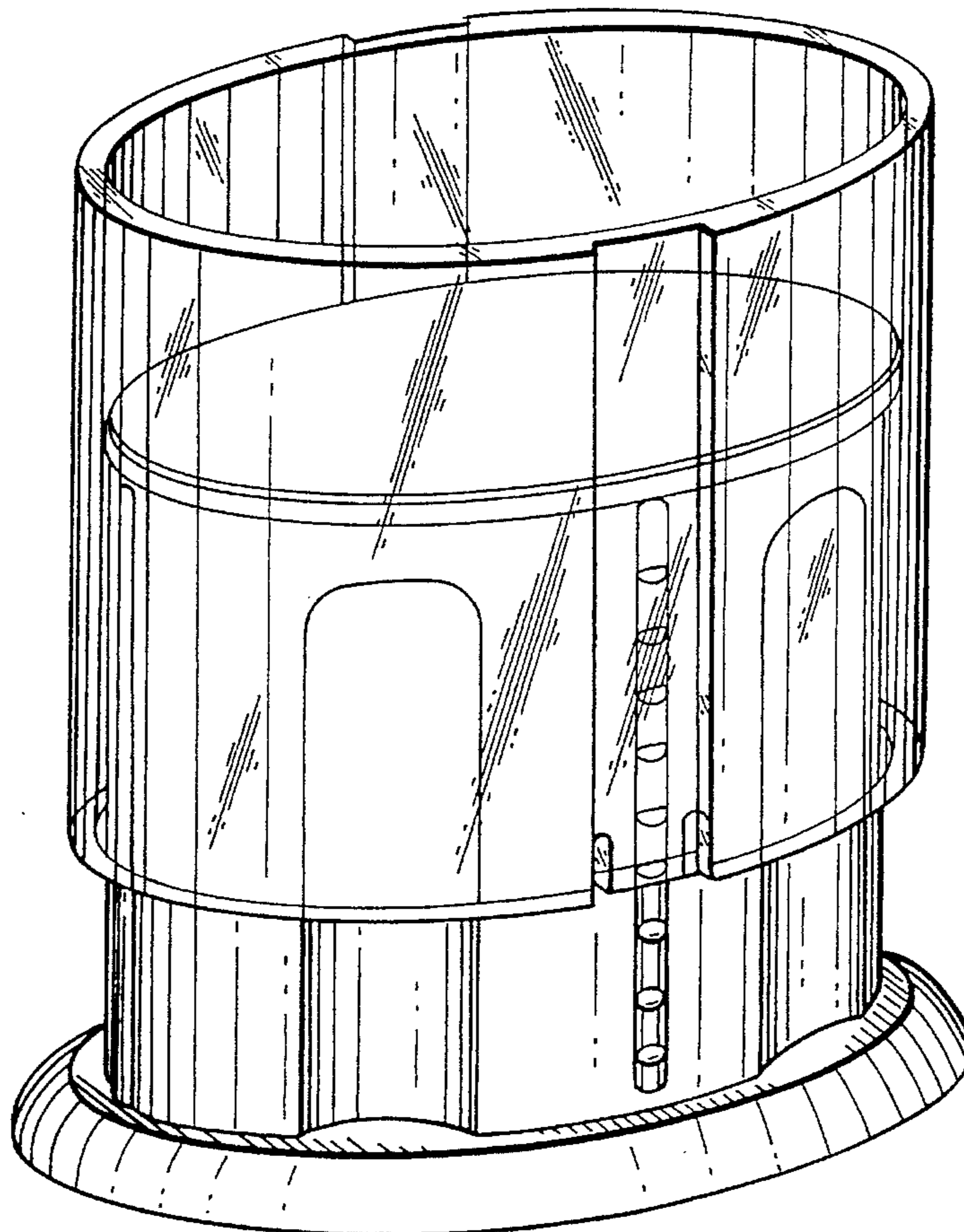
2,256,865	9/1941	Gilbert	75/429
2,479,007	8/1949	Groben	D10/46.2 X
2,839,928	6/1958	Fohrman	D10/46.2 X
4,981,041	1/1991	Markie	73/426

#### OTHER PUBLICATIONS

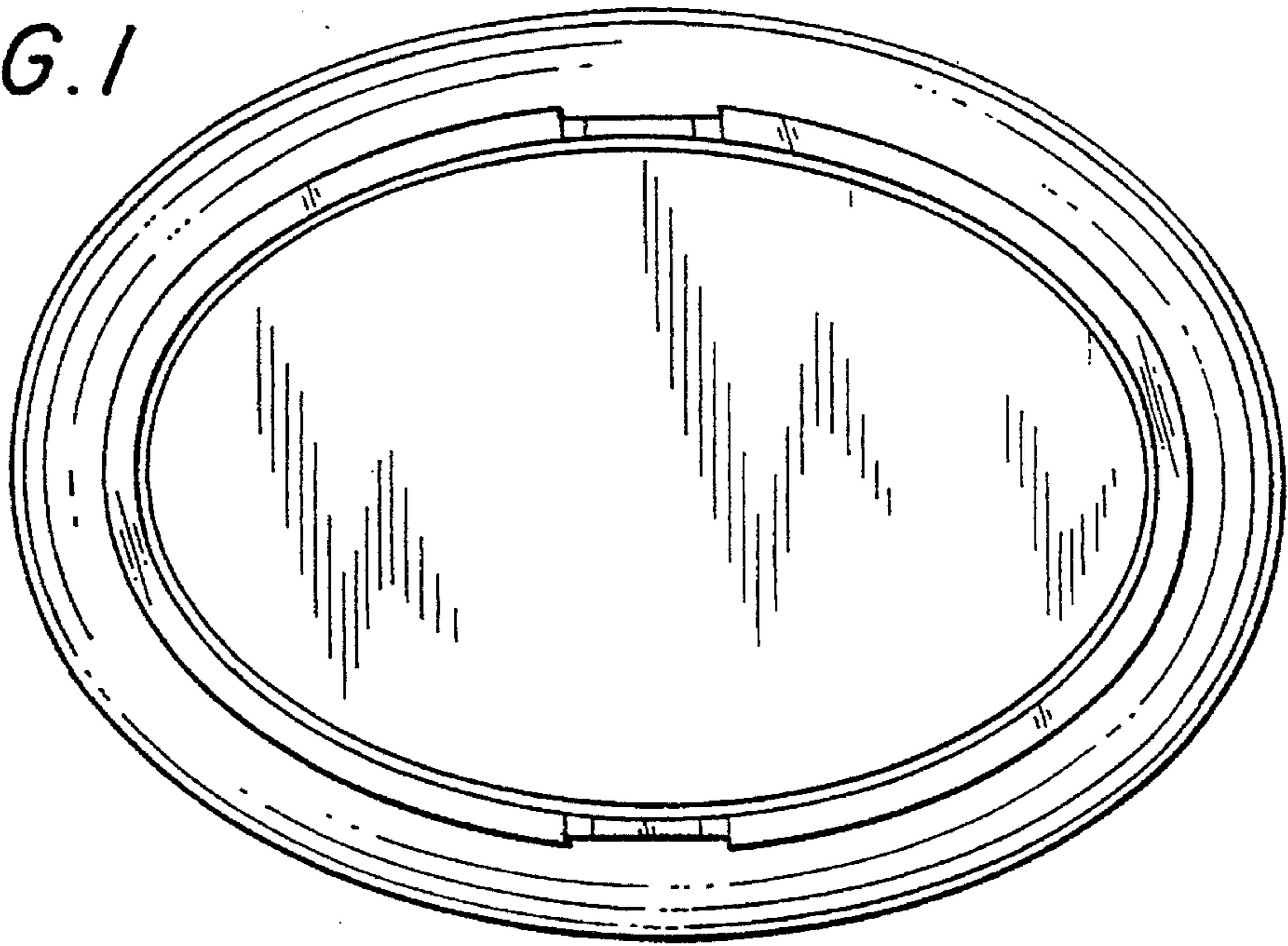
Wonder-Cup® by The Pampered Chef, Inc., photograph submitted by applicant, data unknwn.

Primary Examiner—Terry A. Wallace

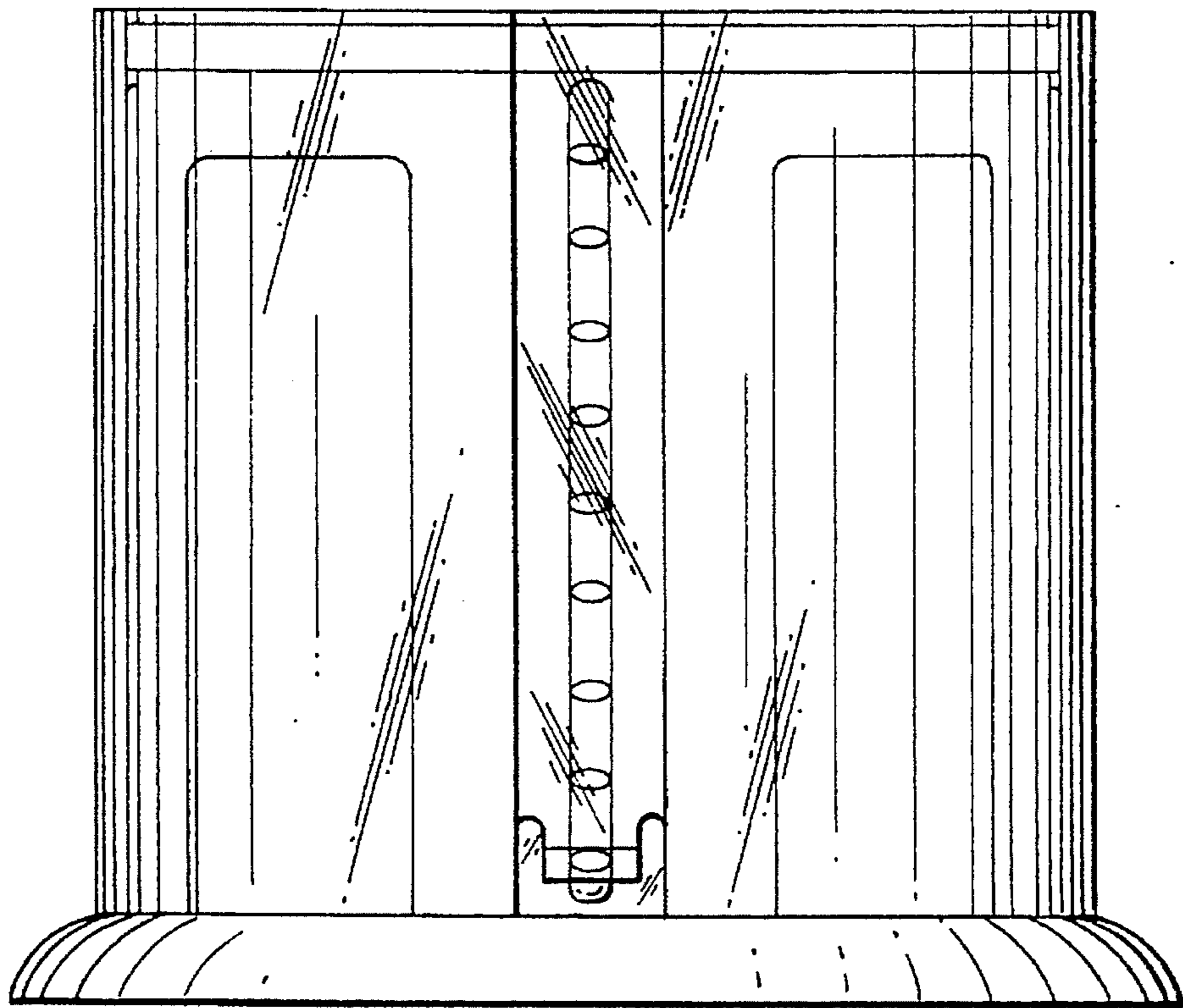
1 Claim, 3 Drawing Sheets



*FIG. 1*



*FIG. 2*



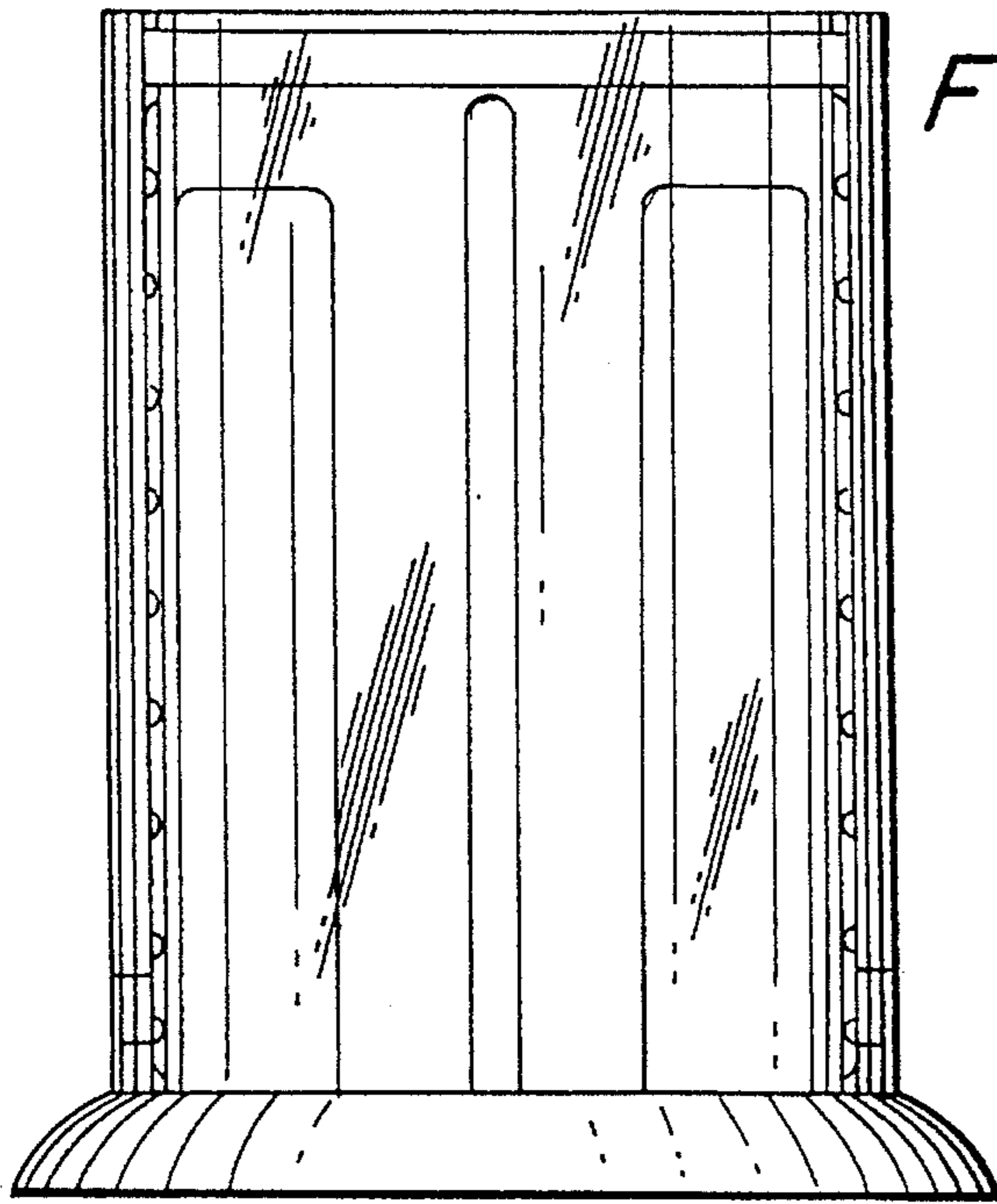


FIG. 3

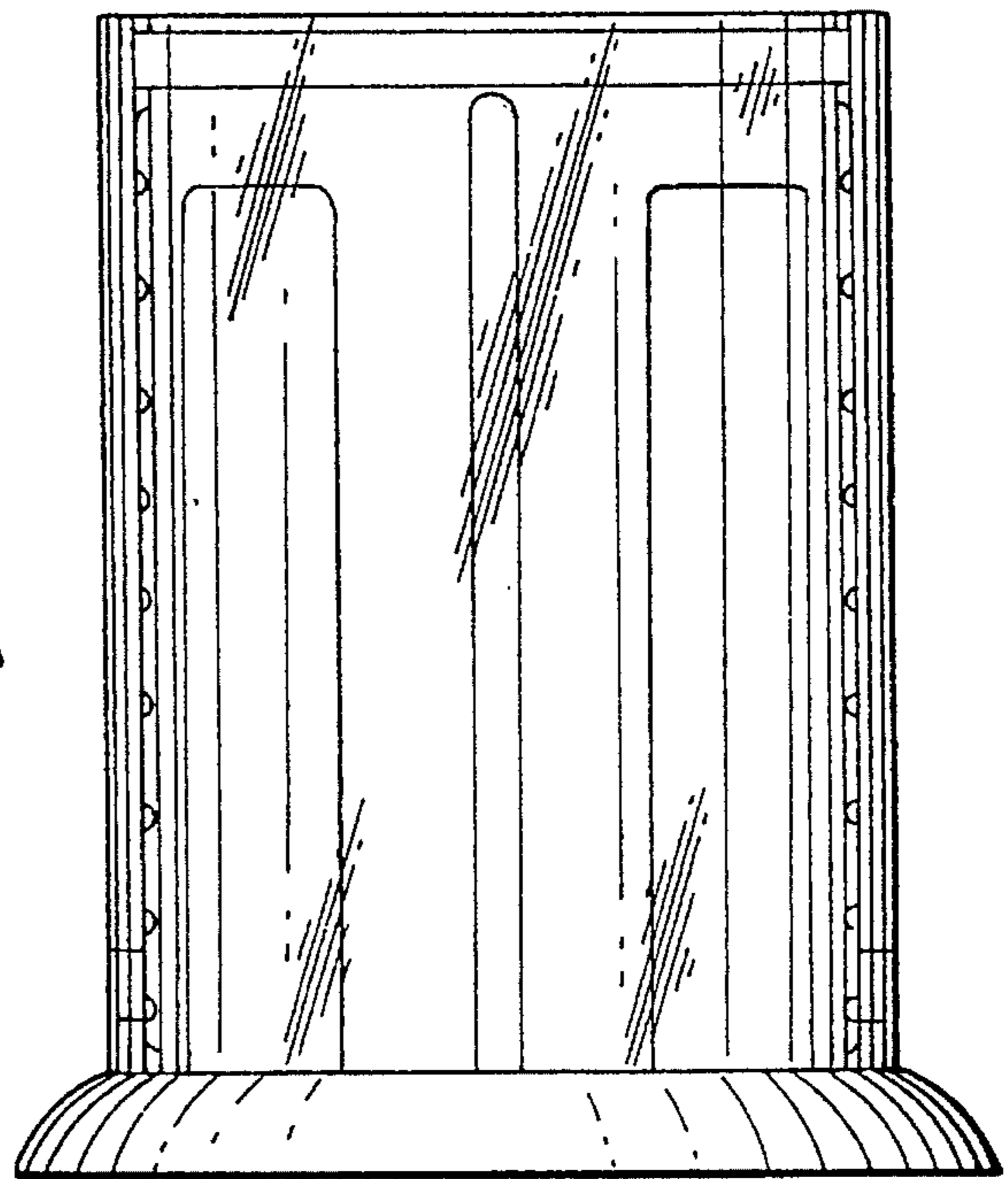


FIG. 4

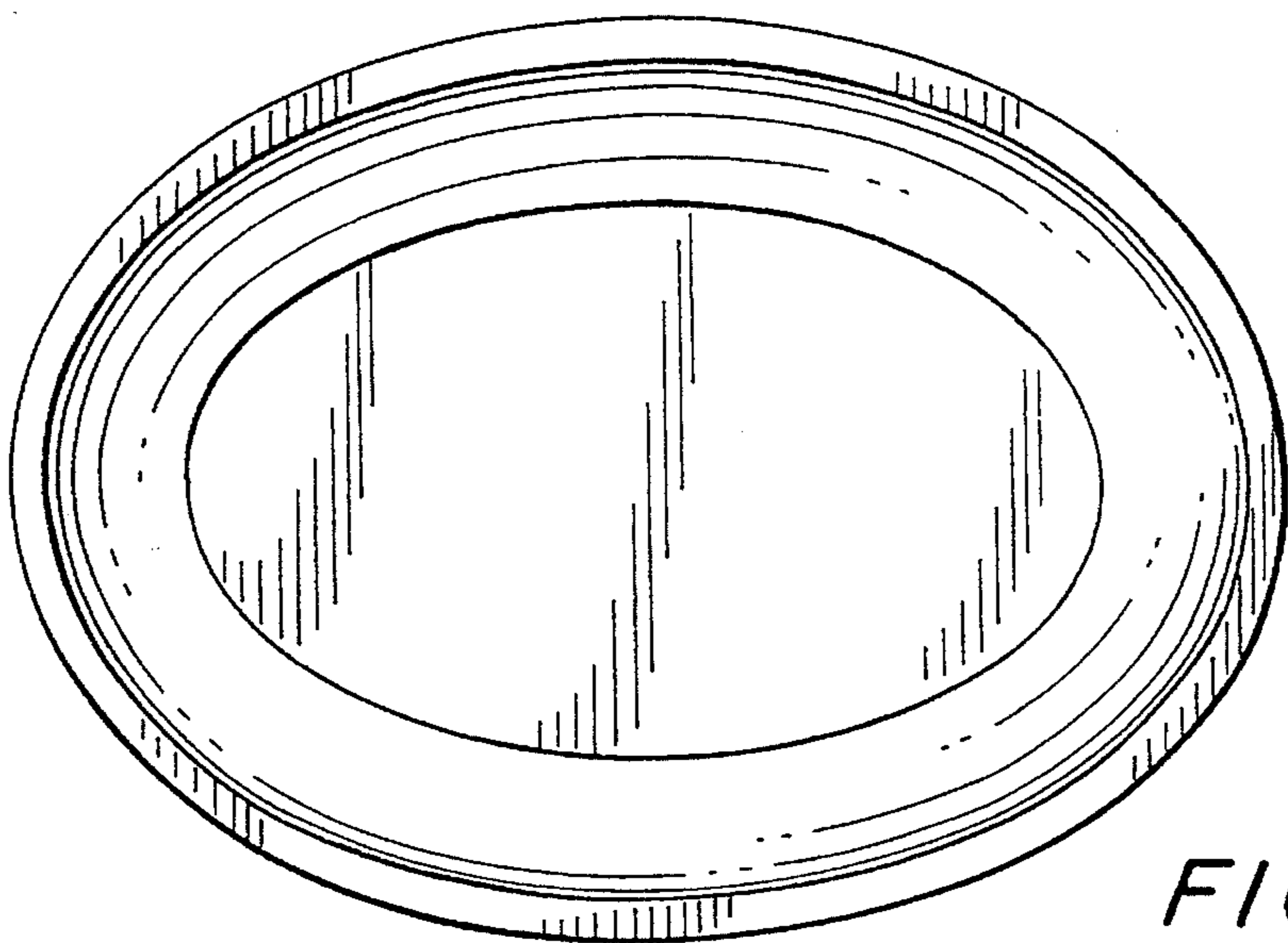


FIG. 5

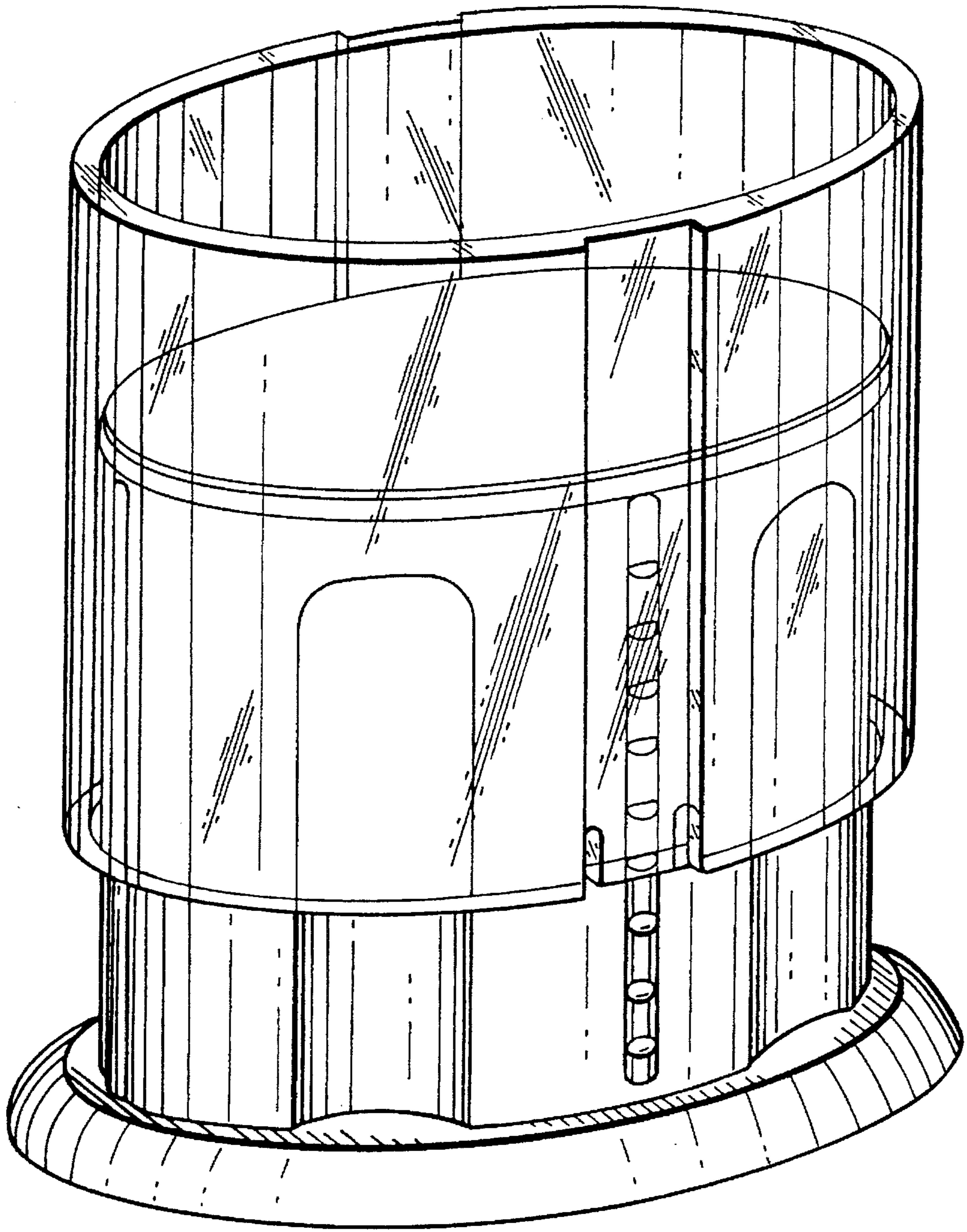


FIG. 6