



US00D369301S

United States Patent [19]
Sell

[11] **Patent Number: Des. 369,301**
[45] **Date of Patent: **Apr. 30, 1996**

[54] **CLOCK**

[75] Inventor: **Anthony Sell**, Crystal Lake, Ill.

[73] Assignee: **Spartus Corporation**, Arlington Heights, Ill.

[**] Term: **14 Years**

[21] Appl. No.: **21,648**

[22] Filed: **Apr. 21, 1994**

[52] U.S. Cl. **D10/18; D10/15**

[58] **Field of Search** **D10/1-40, 122-132; 368/107-121, 276-277, 285, 82-84, 239-242, 10; D9/423**

[56] **References Cited**

U.S. PATENT DOCUMENTS

D. 59,615	11/1921	Wright	D9/423
D. 97,006	9/1935	Flier	D9/423
D. 301,580	6/1989	Davidson	D10/2 X
D. 315,734	3/1991	Shimasaki	D10/2 X
D. 352,664	11/1994	Pizersmann	D10/10 X
5,365,499	11/1994	Sell	368/72 X

OTHER PUBLICATIONS

Hong Kong Enterprise—Jun. 1984—p. 168—Folding Clocks at center.

Primary Examiner—Nelson C. Holtje

Attorney, Agent, or Firm—Seidel Gonda Lavorgna & Monaco

[57] **CLAIM**

The ornamental design for a clock, as shown and described.

DESCRIPTION

FIG. 1 is an isometric view of a first embodiment of a clock according to my invention;
 FIG. 2 is a side elevational view of the clock of FIG. 1;
 FIG. 3 is a front elevational view of the clock of FIG. 1;
 FIG. 4 is a top plan view of the clock of FIG. 1;
 FIG. 5 is a rear elevational view of the clock of FIG. 1;
 FIG. 6 is a bottom plan view of the clock of FIG. 1;
 FIG. 7 is an isometric view of the clock of FIG. 1, with the lid closed;
 FIG. 8 is an isometric view of a second embodiment of a clock according to my invention;
 FIG. 9 is an isometric view a third embodiment of a clock according to my invention;
 FIG. 10 is a front elevational view of the clock of FIG. 9, the rear elevational view being the same;
 FIG. 11 is a side elevational view of the clock of FIG. 9, the opposite side view being the same;
 FIG. 12 is an isometric view of an embodiment of a clock according to my invention;
 FIG. 13 is a front elevational view of the clock of FIG. 12, the rear elevational view being the same;
 FIG. 14 is a side elevational view of the clock of FIG. 12;
 FIG. 15 is an isometric view of a fourth embodiment of a clock according to my invention; and,
 FIG. 16 is a side elevational view of the clock of FIG. 15, the other three sides being the same.

1 Claim, 7 Drawing Sheets

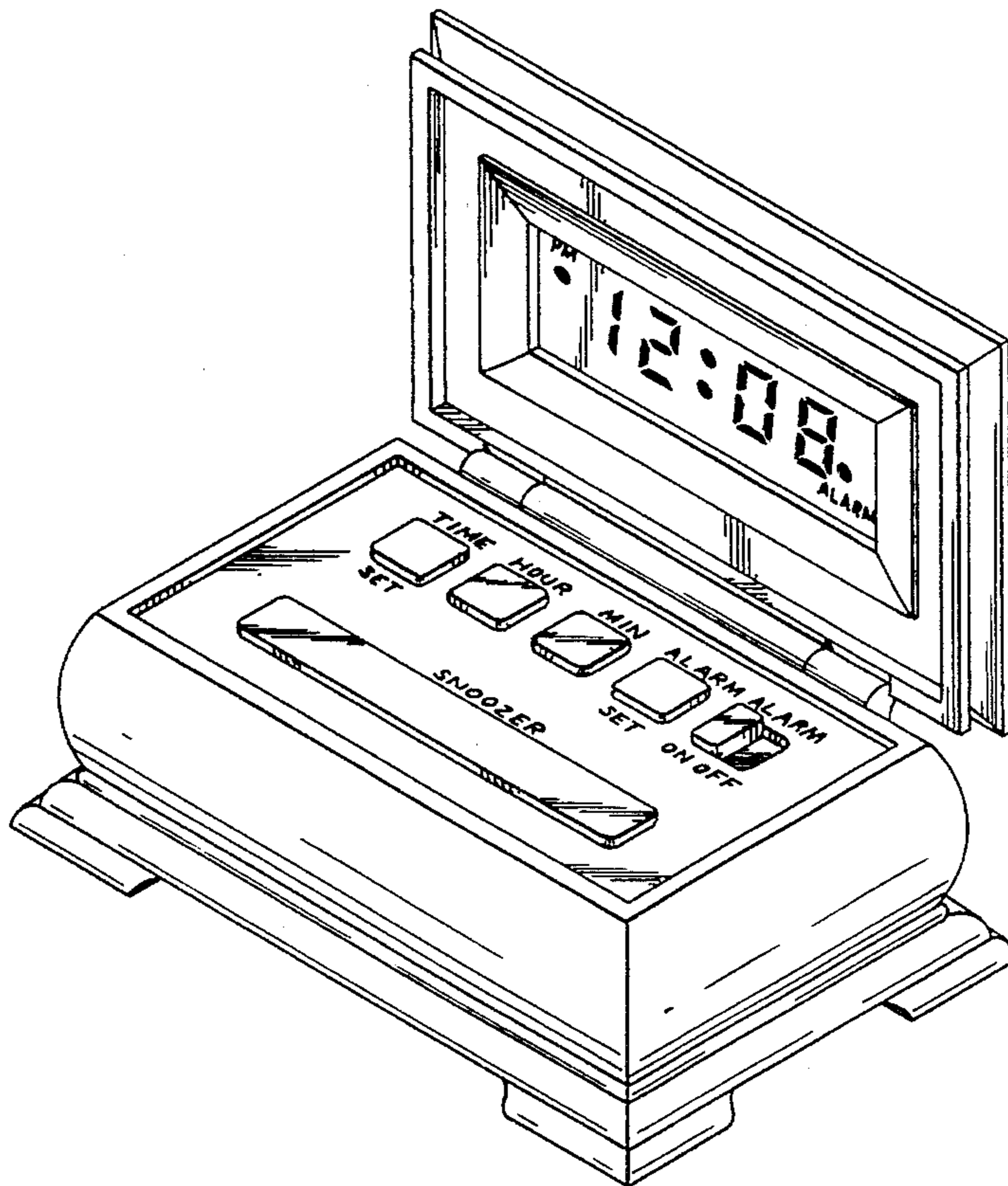


FIG. 1

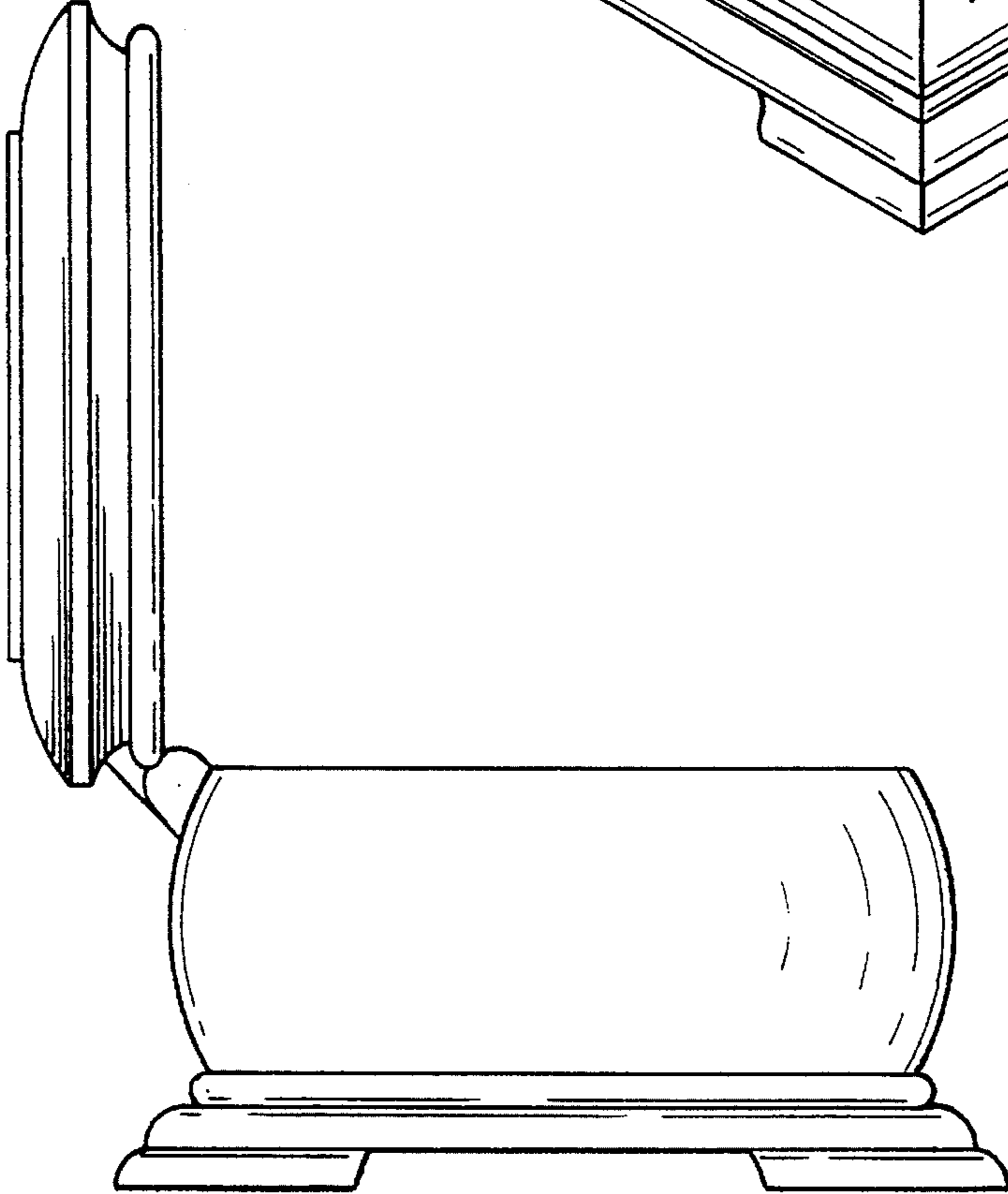
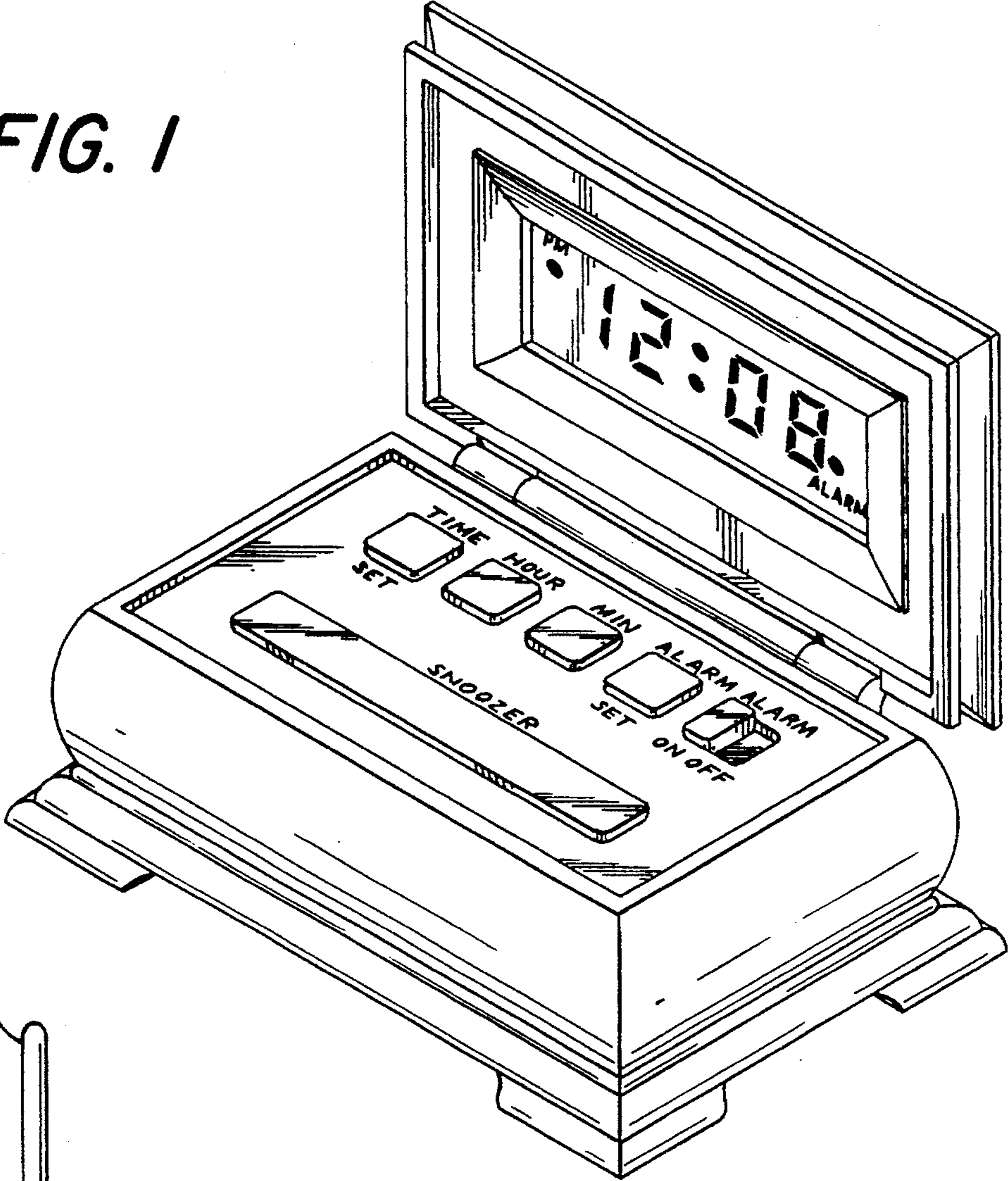


FIG. 2

FIG. 3

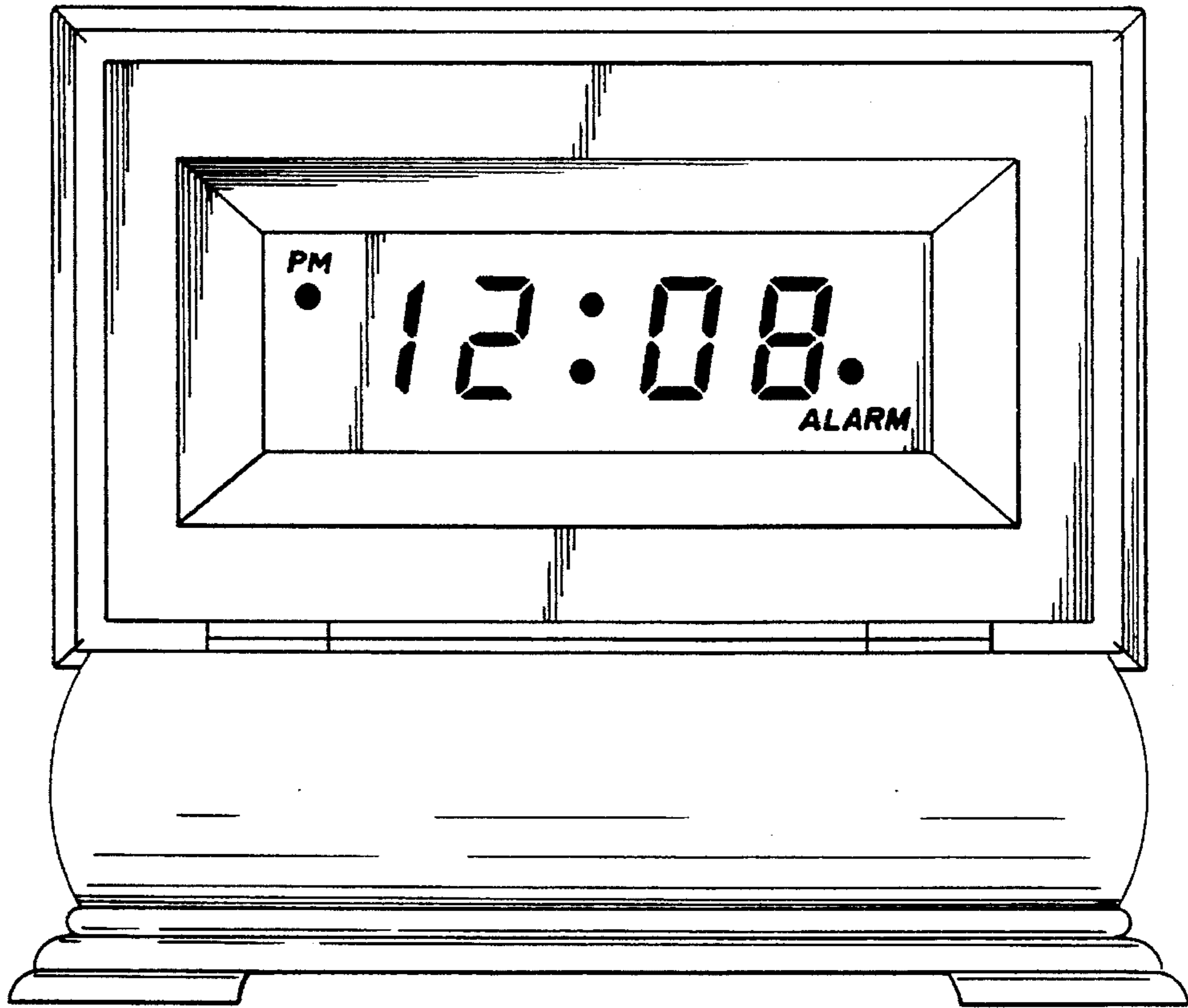


FIG. 4

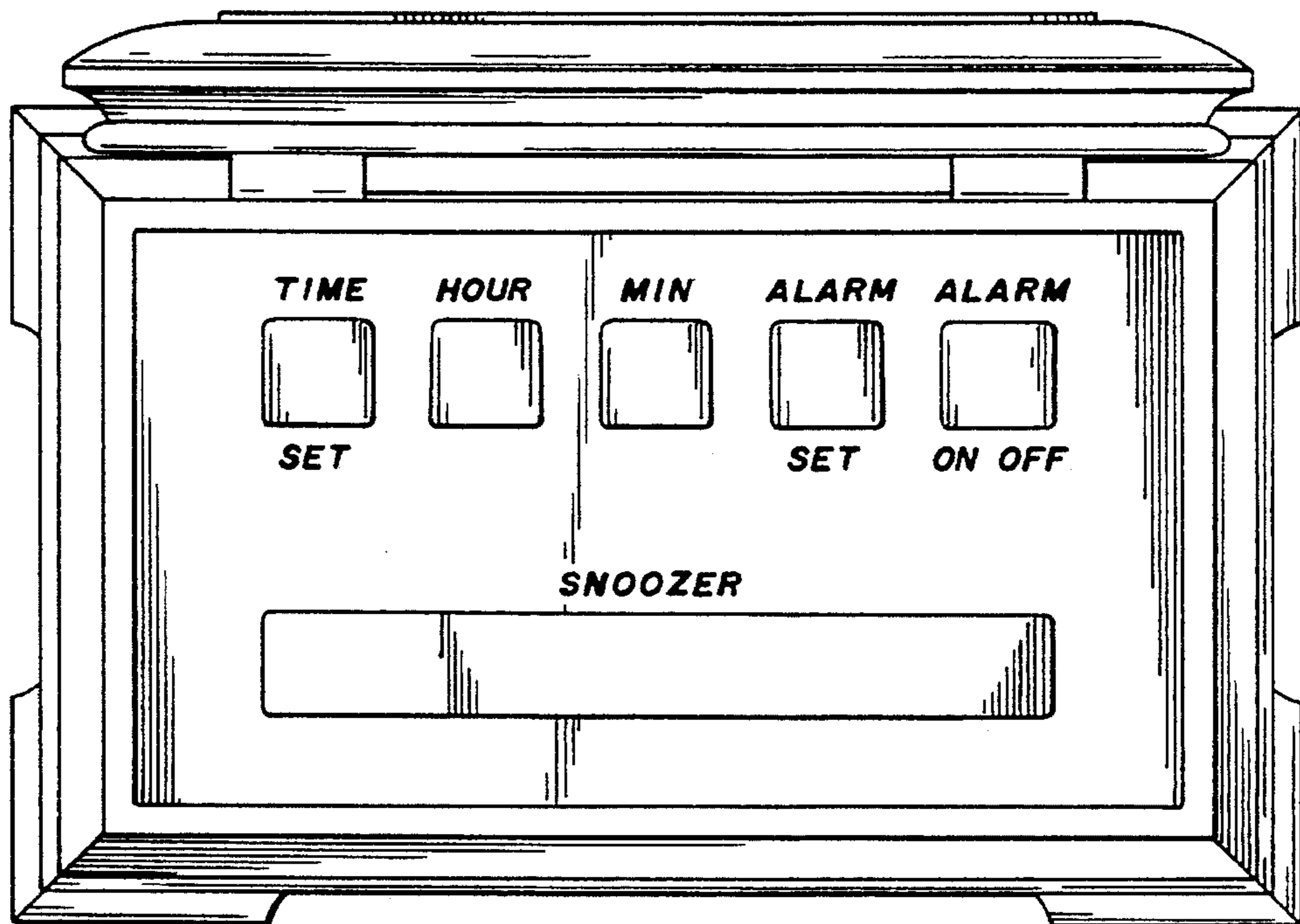


FIG. 5

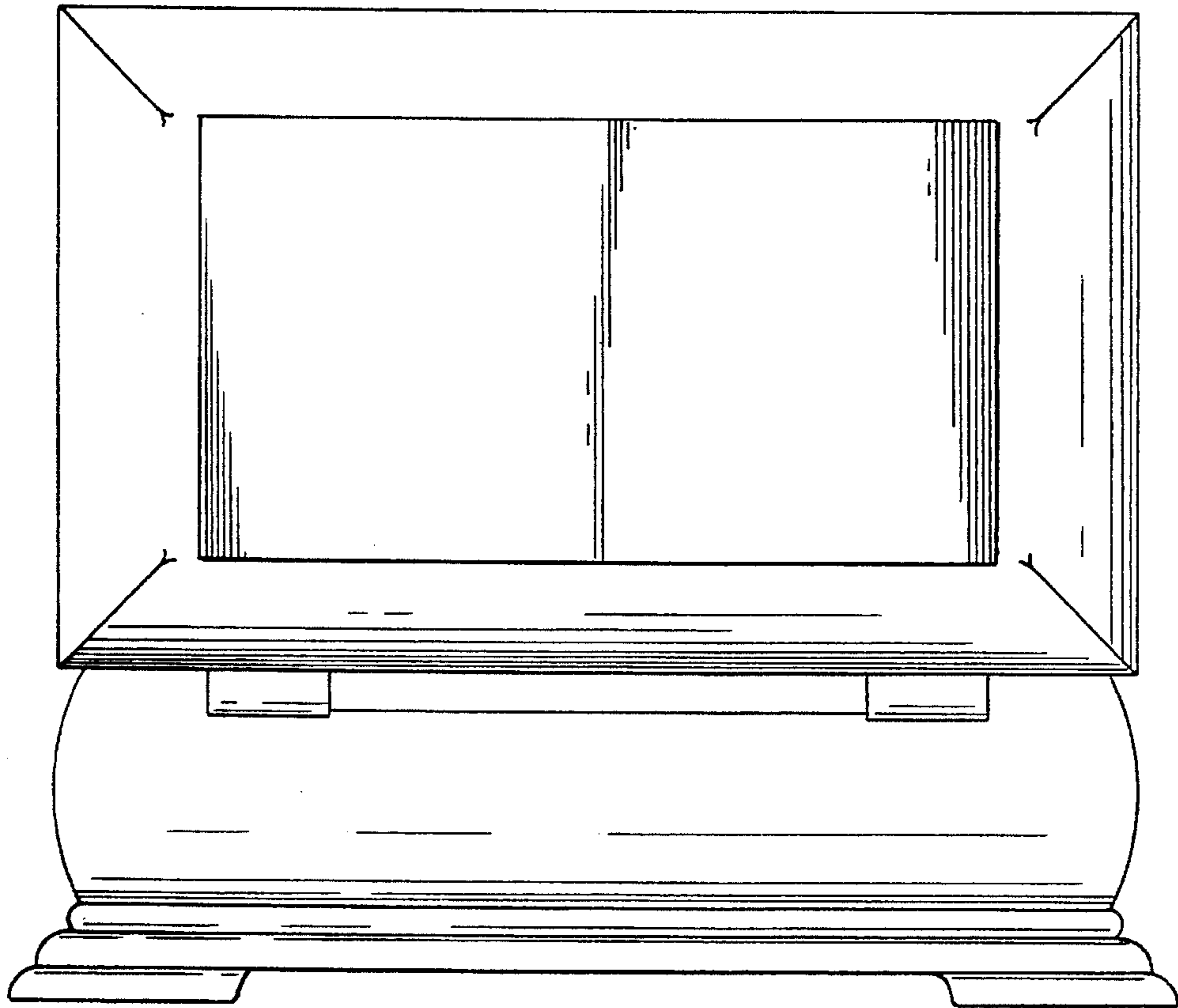


FIG. 6

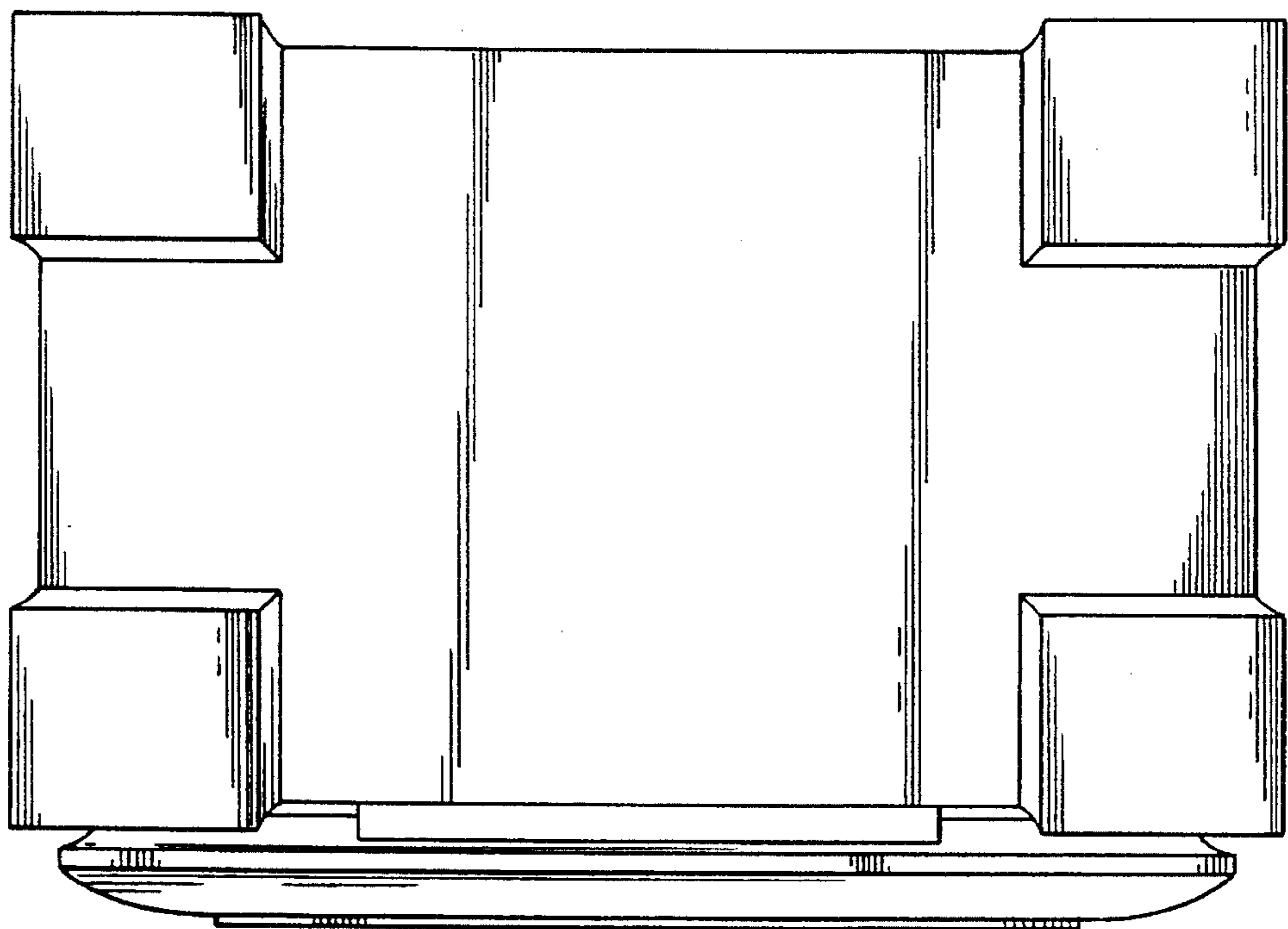


FIG. 7

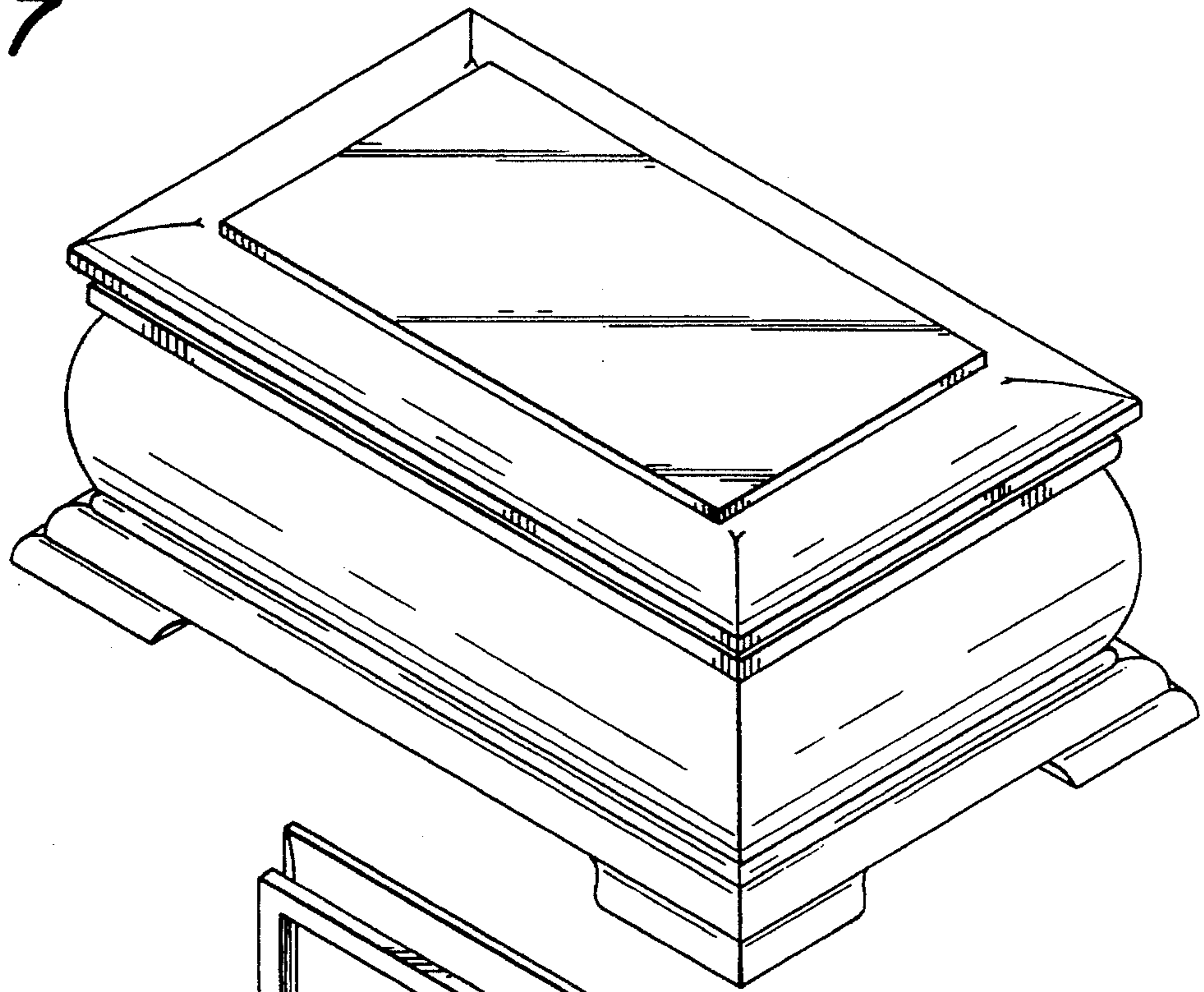


FIG. 8

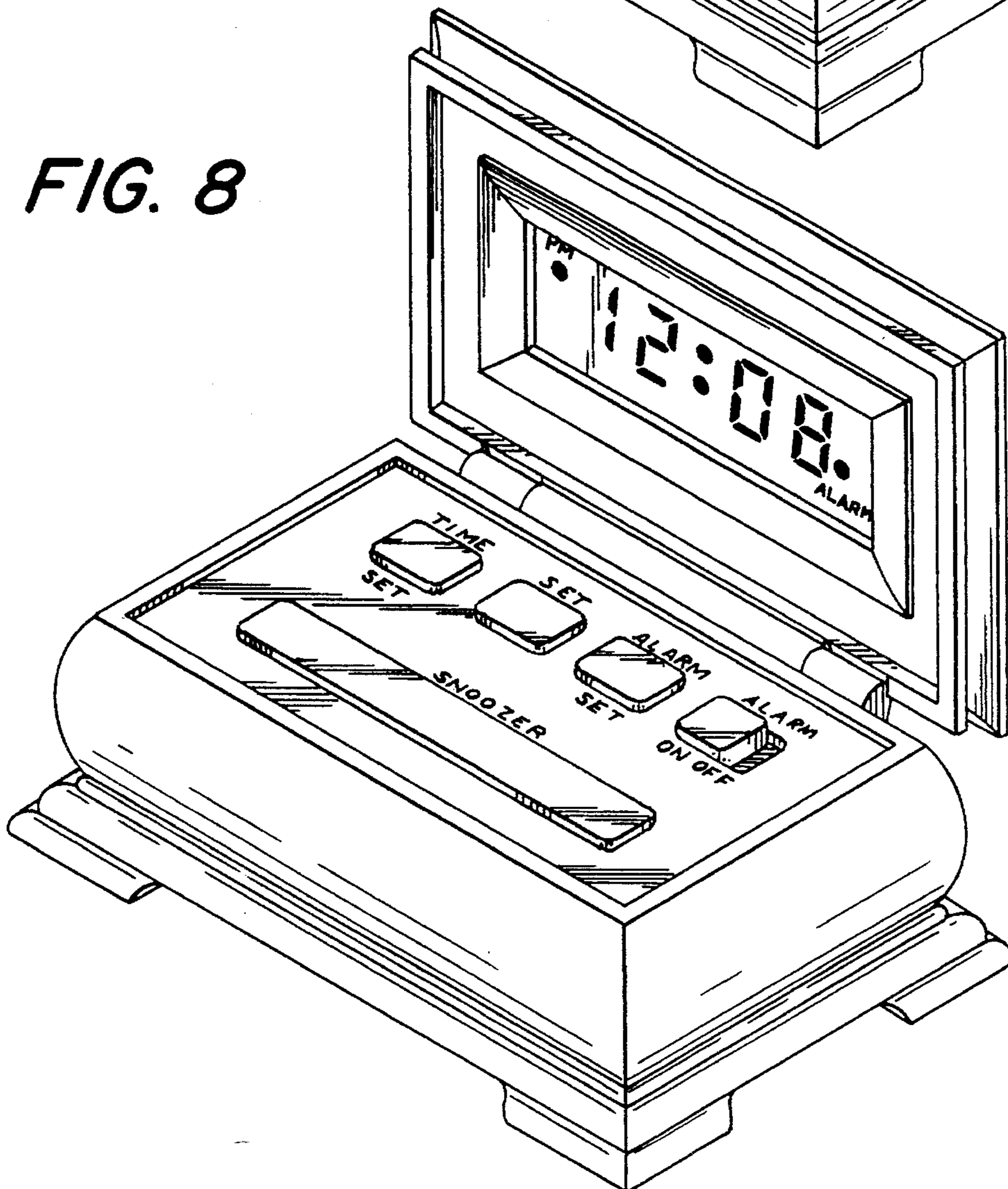


FIG. 9

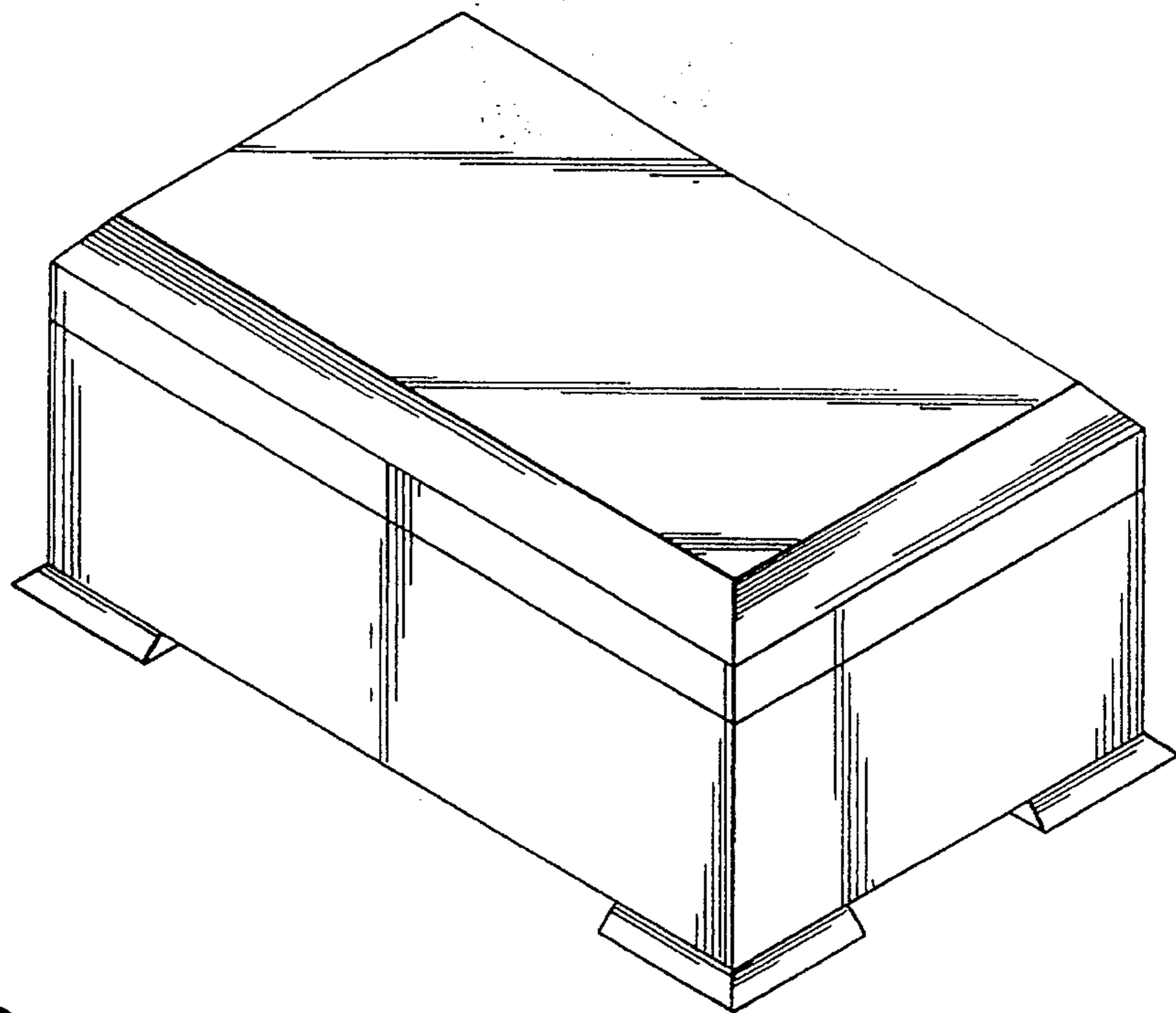


FIG. 10

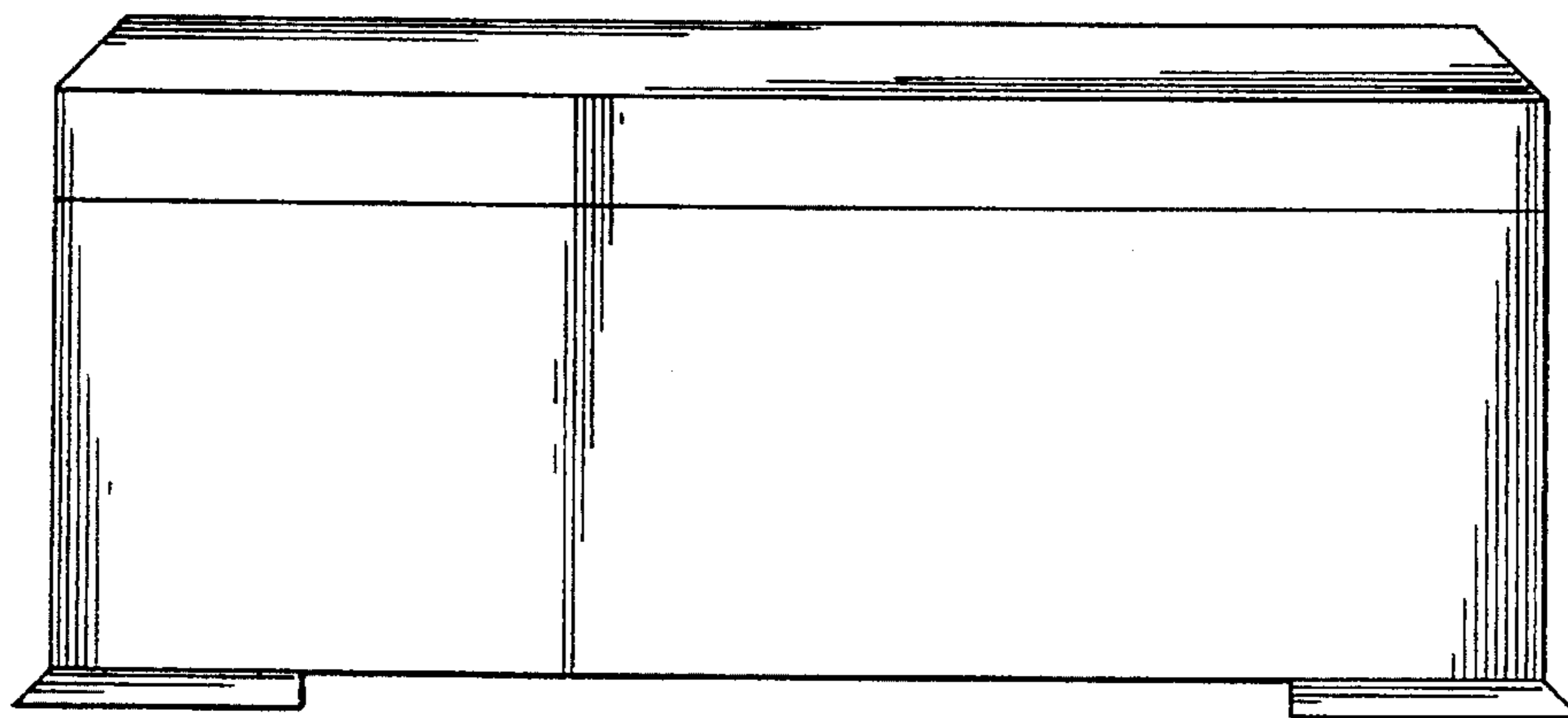


FIG. 11

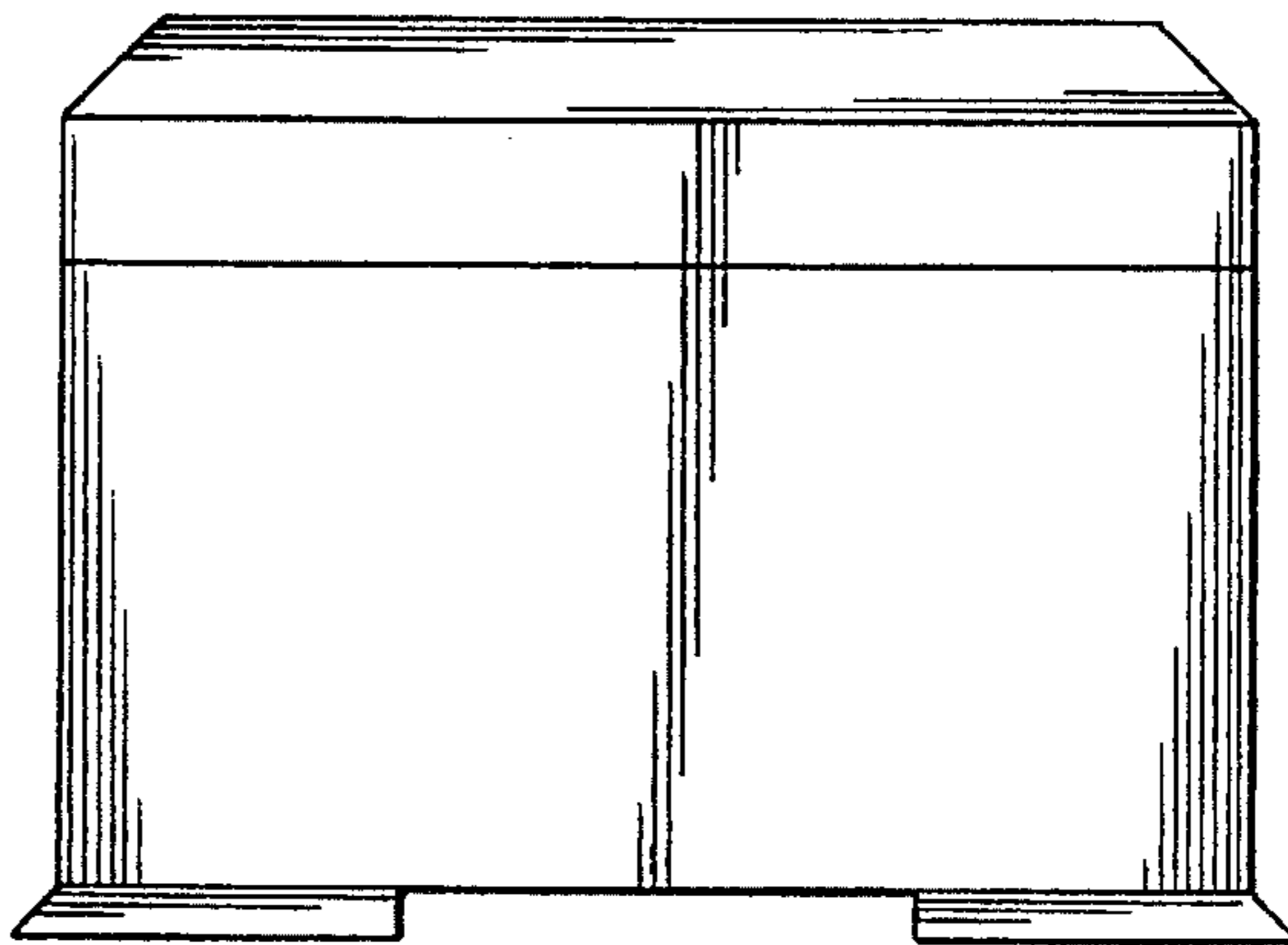


FIG. 12

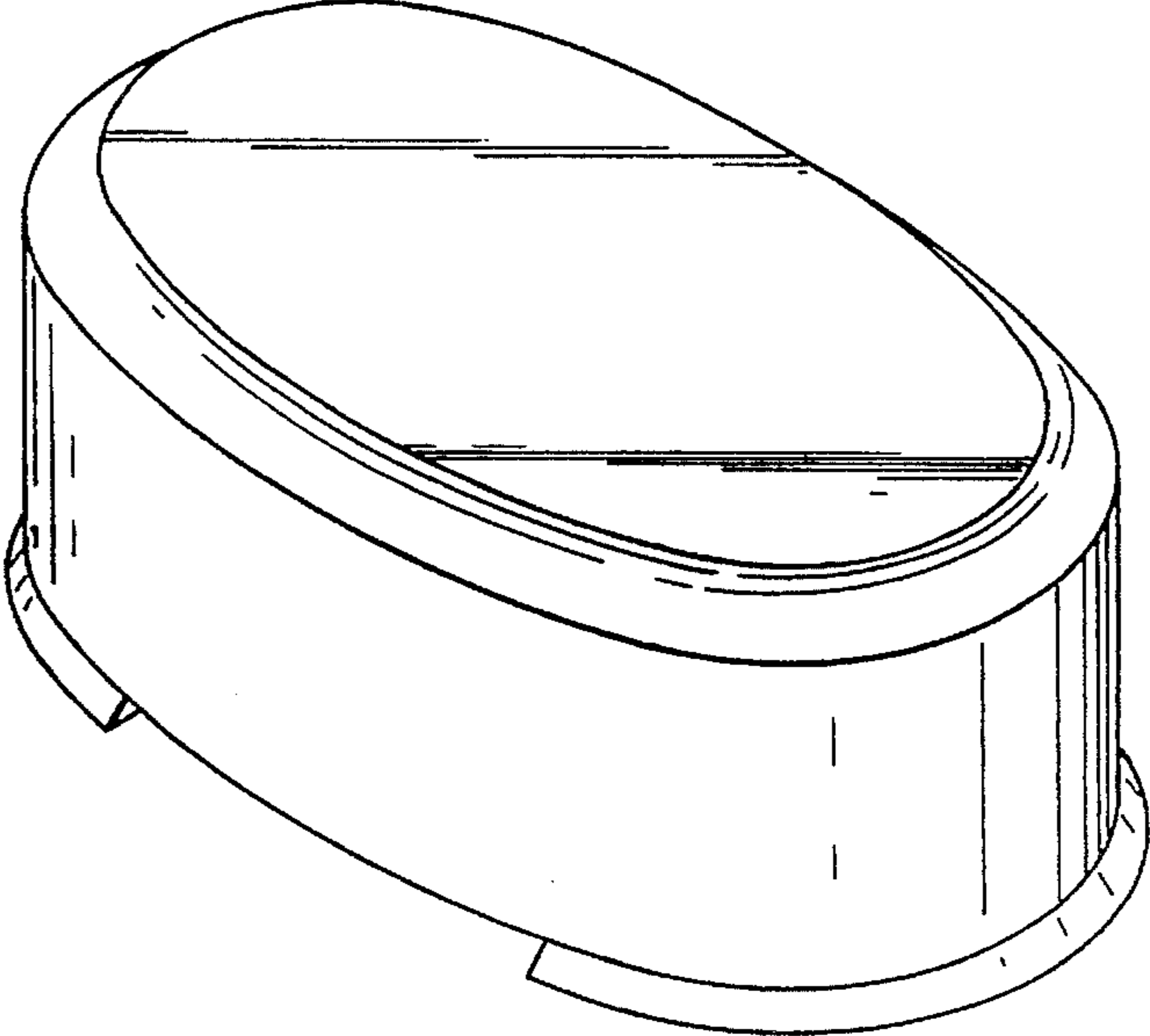


FIG. 13

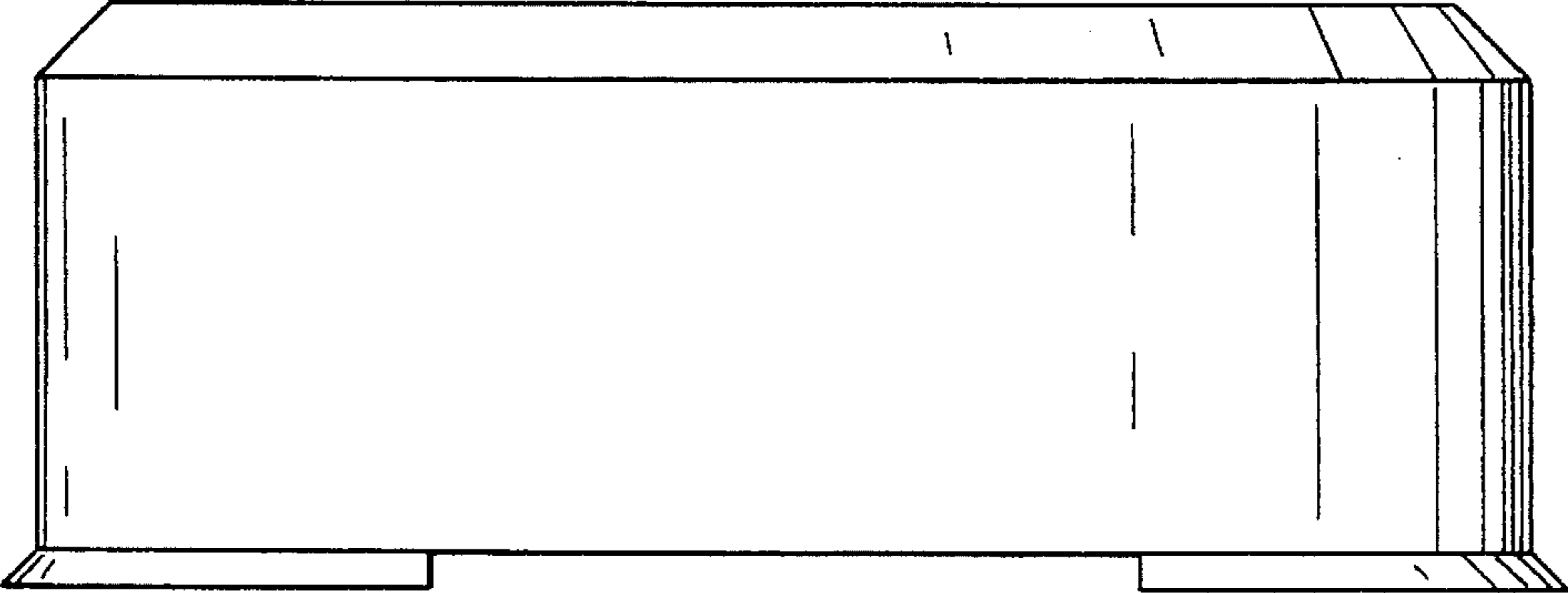


FIG. 14

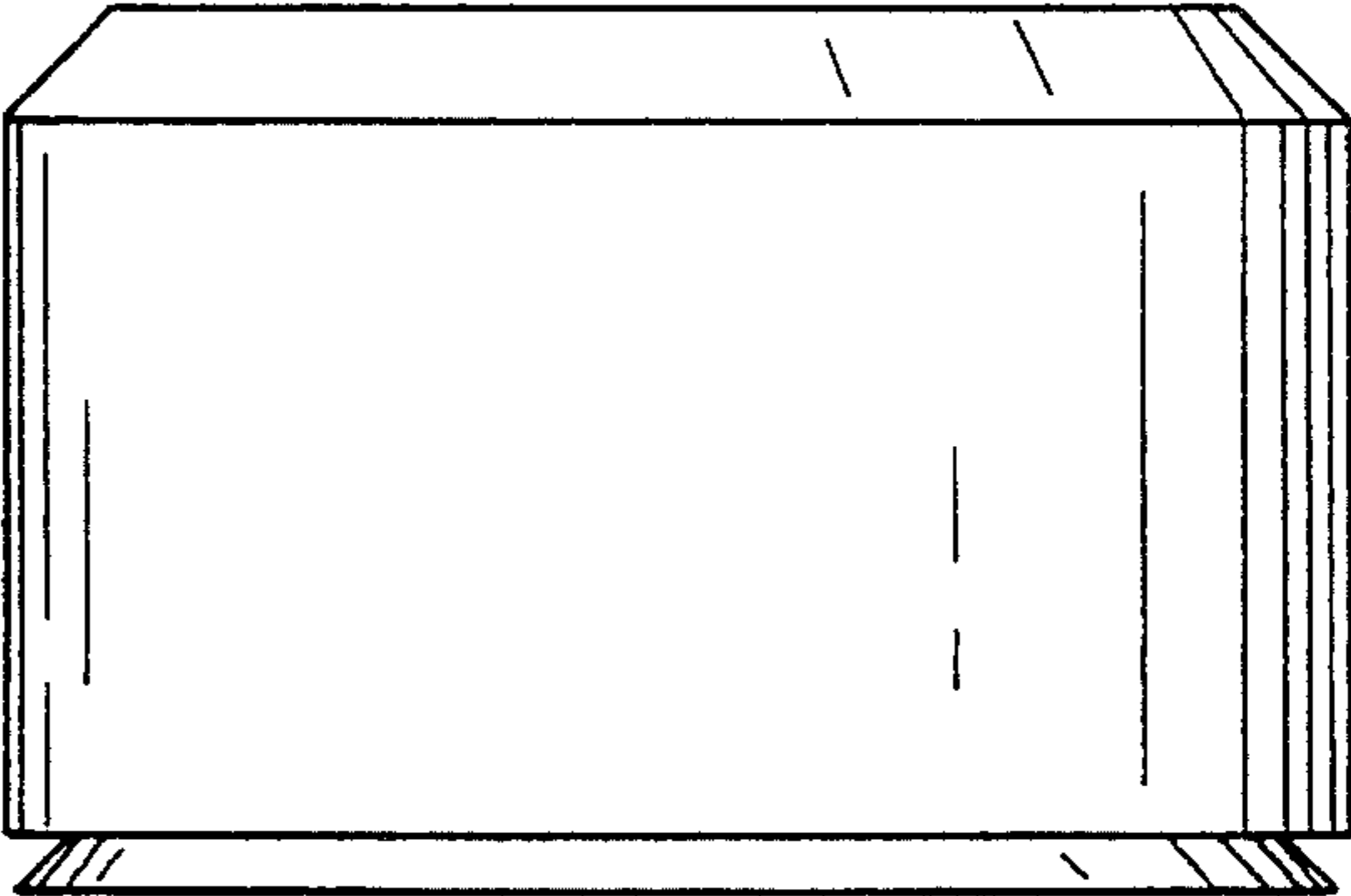


FIG. 15

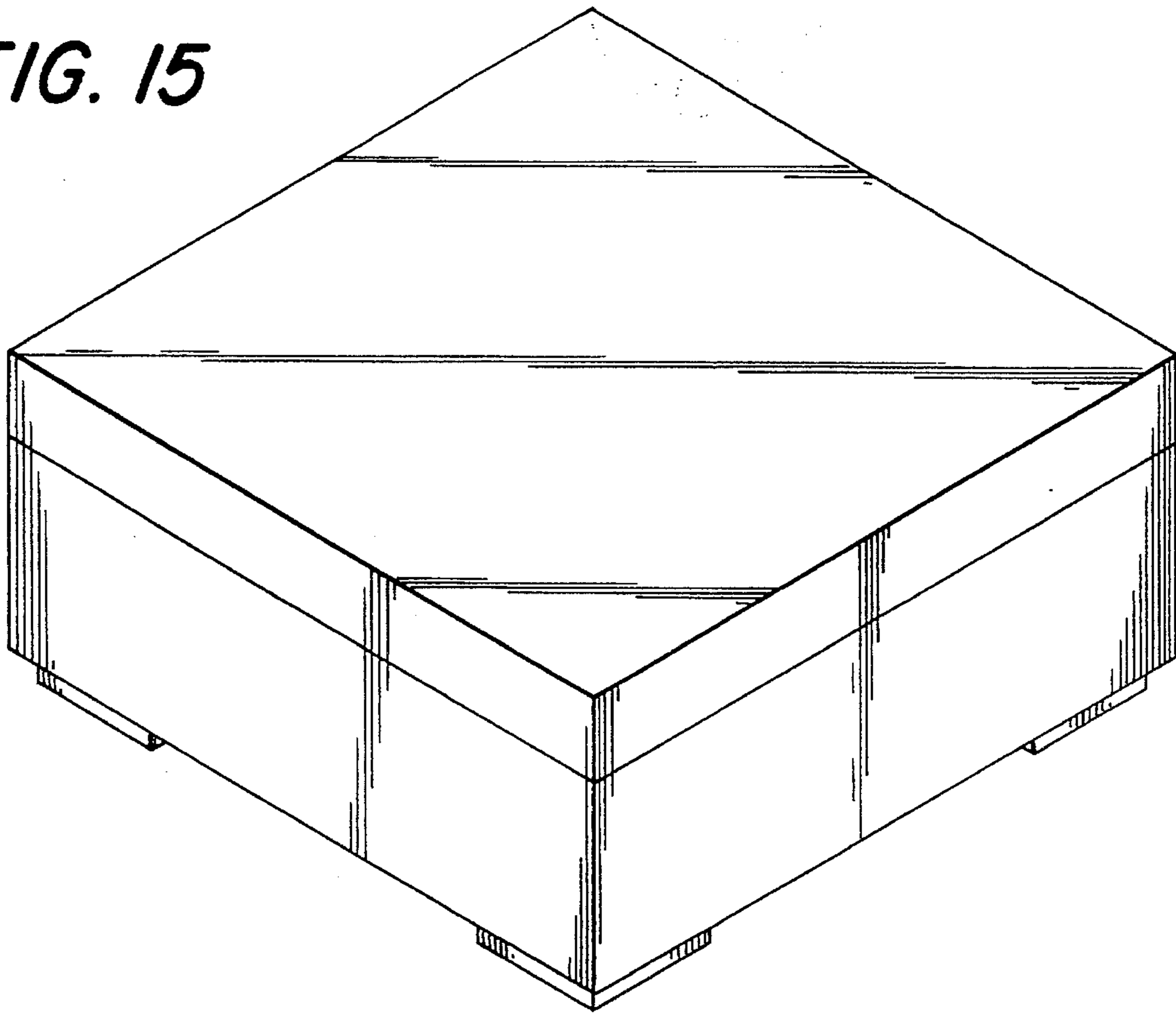


FIG. 16

