



US00D369300S

United States Patent [19] Ip

[11] Patent Number: **Des. 369,300**

[45] Date of Patent: ****Apr. 30, 1996**

[54] **CLOCK**
[75] Inventor: **Yu K. S. Ip**, Tin Shui Wai, Hong Kong
[73] Assignee: **Merry Global Technology Limited**,
Kowloon, Hong Kong
[**] Term: **14 Years**

D. 150,555	8/1948	Addario	D10/15 X
D. 150,556	8/1948	Addario	D10/15
D. 161,375	12/1950	Reinhardt	D10/15 X
D. 234,149	1/1975	Rowman	D10/15 X
D. 277,556	2/1985	Pappas	D10/15 X
D. 314,689	2/1991	Claudias	D10/6
1,015,195	1/1912	Kretschmar	368/23
2,513,465	7/1950	Fisk	368/21
2,637,969	5/1953	Beyer	368/21
3,875,736	4/1975	Gulko	368/228 X

[21] Appl. No.: **12,961**
[22] Filed: **Sep. 13, 1993**

Primary Examiner—Nelson C. Holtje
Attorney, Agent, or Firm—Leydig, Voit & Mayer

[30] Foreign Application Priority Data

[57] CLAIM

Mar. 12, 1993 [GB] United Kingdom 2029754
[52] U.S. Cl. **D10/15**
[58] Field of Search D10/1-40, 122-126;
368/107-121, 21-23, 276-277, 2; D19/81,
83

The ornamental design for a clock, as shown.

DESCRIPTION

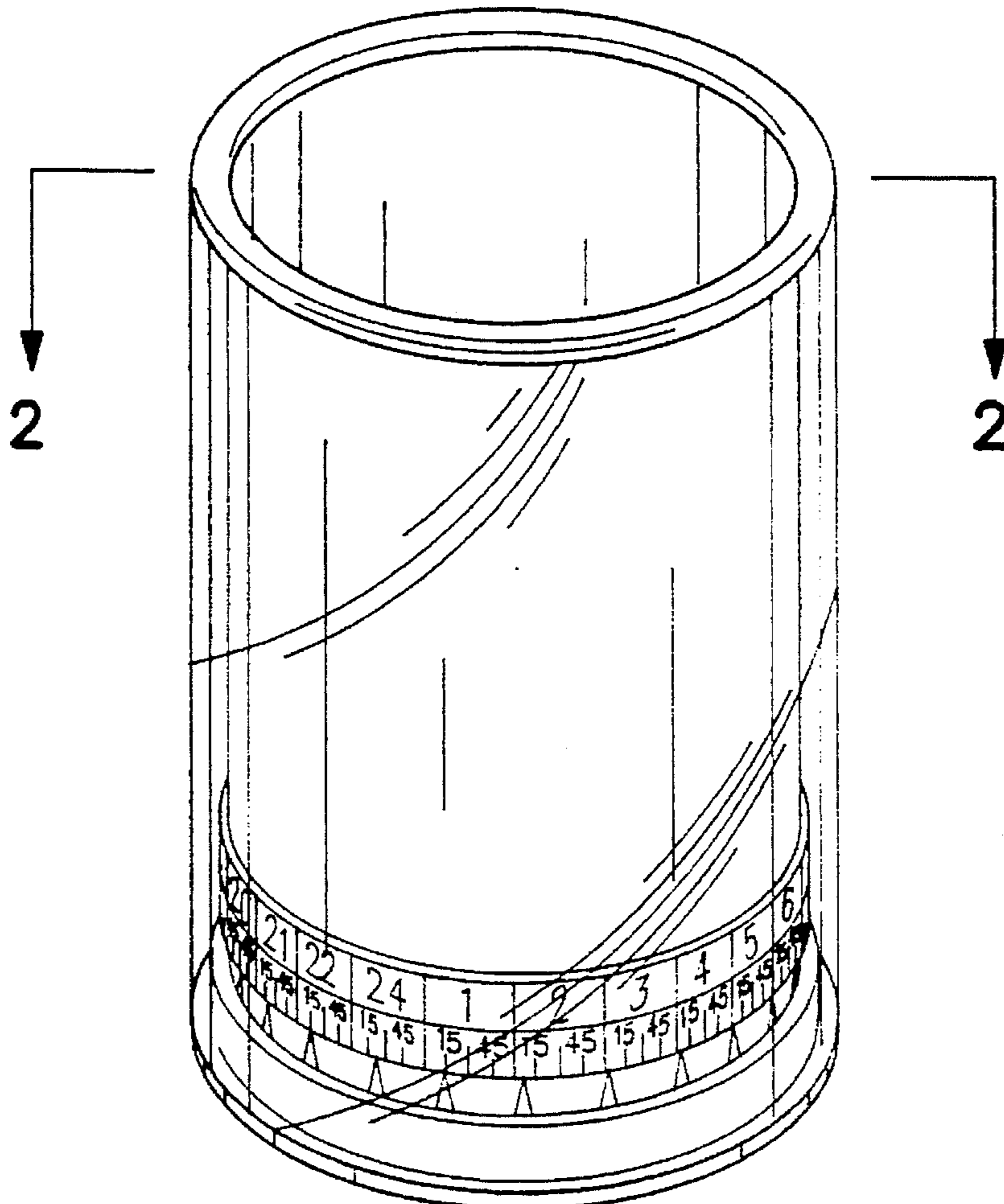
[56] References Cited

FIG. 1 is a perspective view of clock the present invention;
FIG. 2 is a cross sectional view thereof as taken from line
2—2 of FIG. 1; and,
FIG. 3 is an exploded front perspective view of the clock of
FIG. 1.

U.S. PATENT DOCUMENTS

D. 103,071 2/1937 Magro D10/15 X

1 Claim, 2 Drawing Sheets



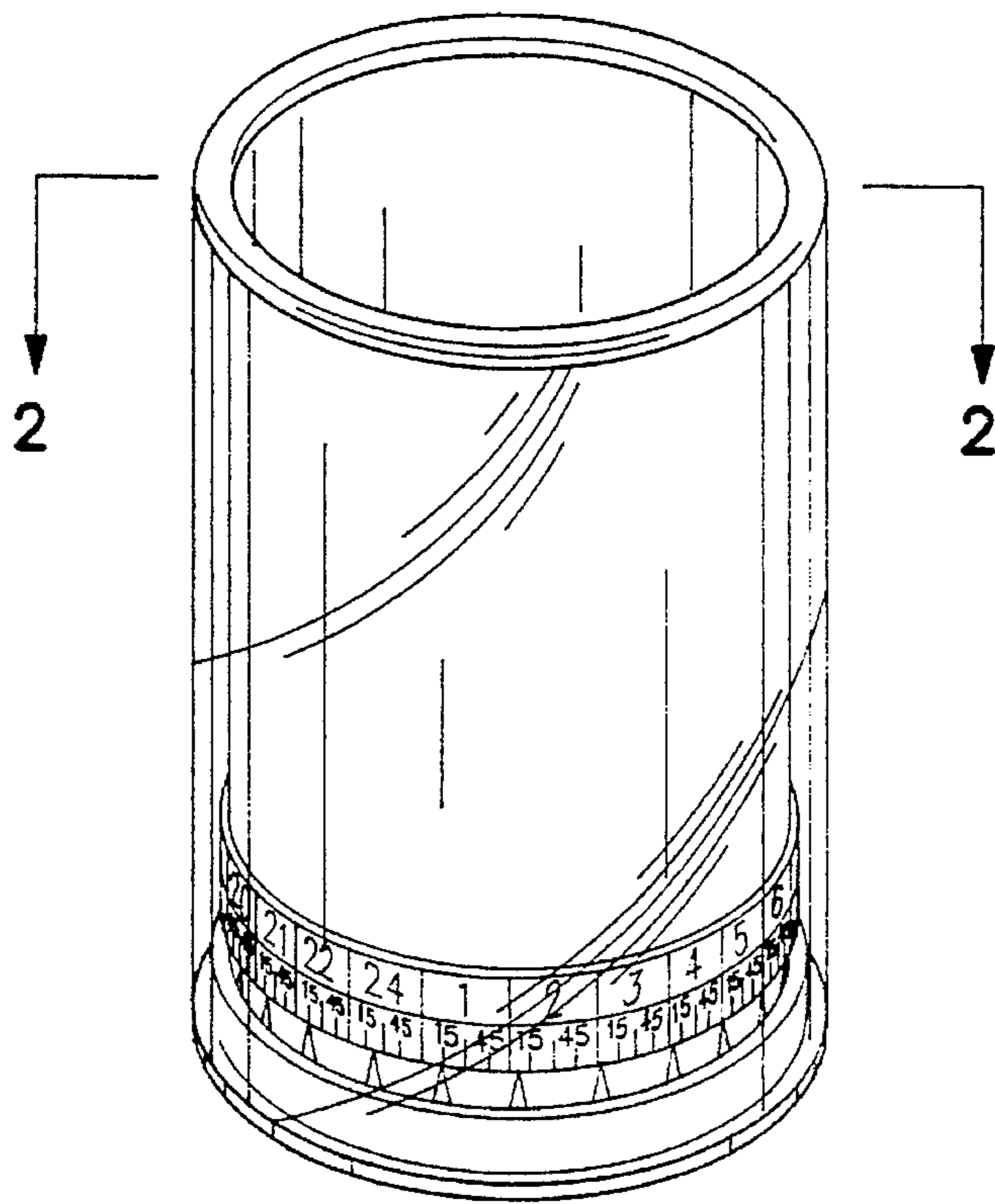


FIG. 1

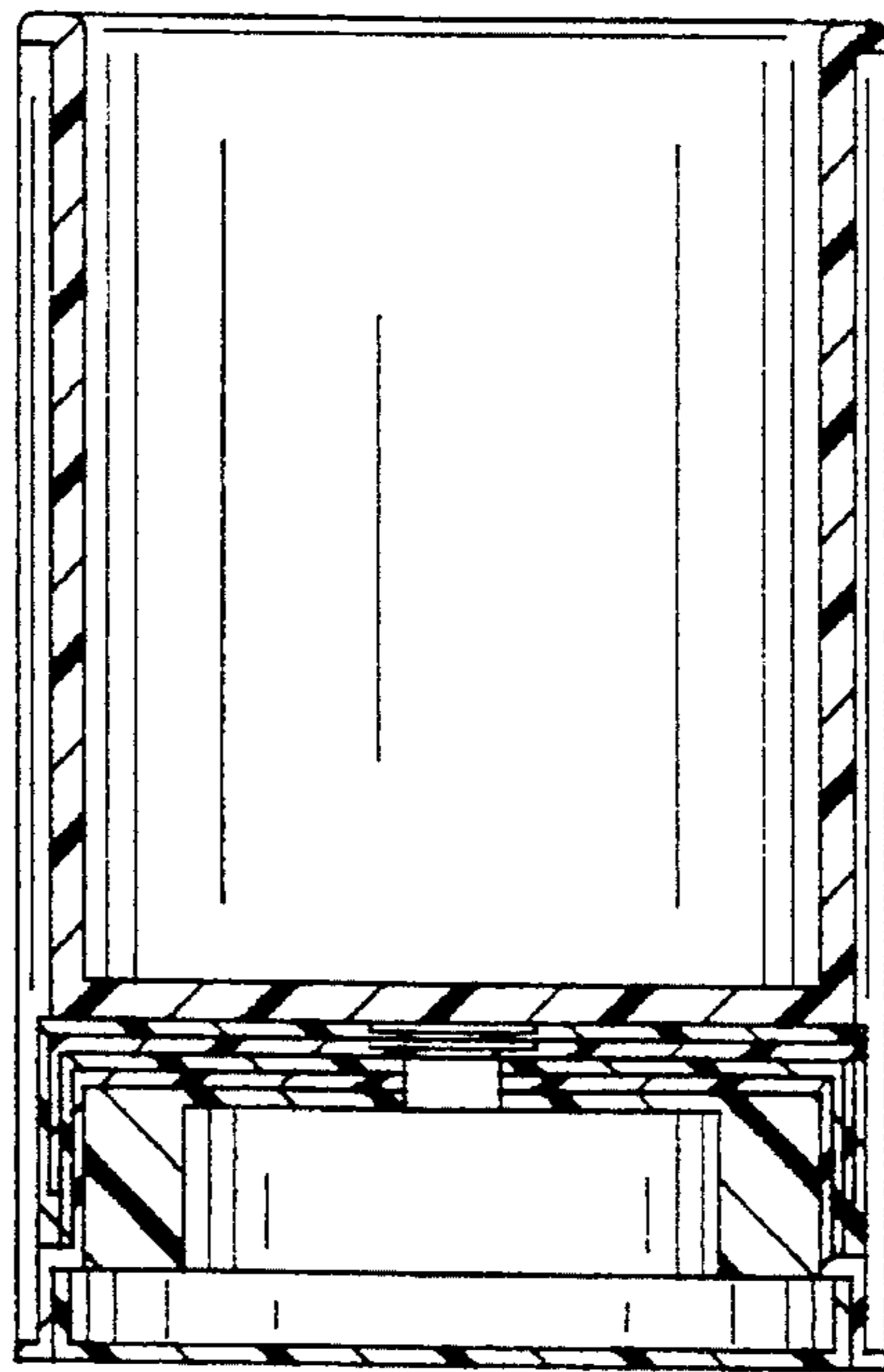


FIG. 2

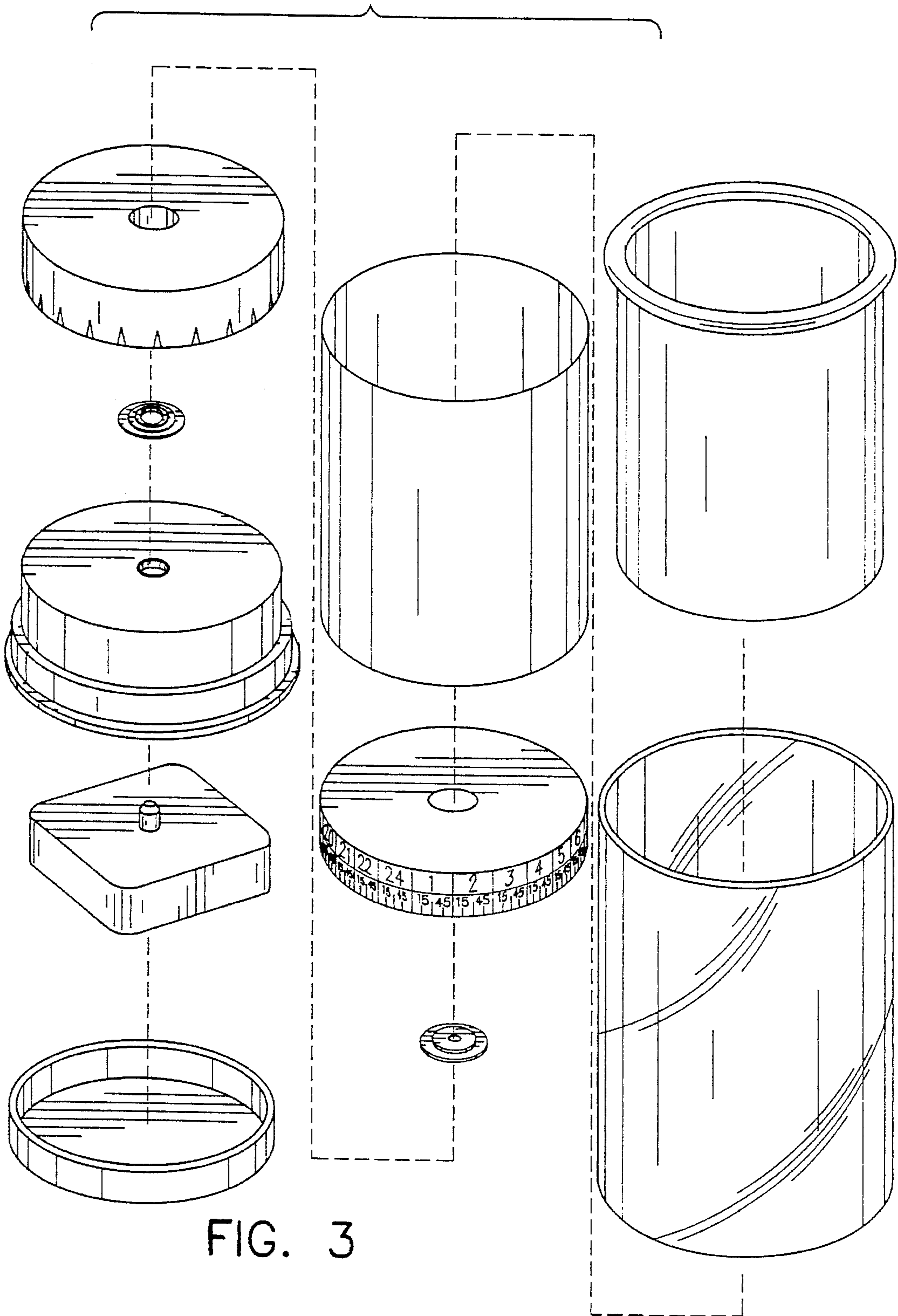


FIG. 3