



US00D369296S

# United States Patent [19] Park

[11] Patent Number: **Des. 369,296**

[45] Date of Patent: **\*\*Apr. 30, 1996**

[54] ICE CREAM CONTAINER

[75] Inventor: **Hyun S. Park**, Kyungki-do, Rep. of Korea

[73] Assignee: **Lotte Confectionery Co., Ltd.**, Seoul, Rep. of Korea

[\*\*] Term: **14 Years**

[21] Appl. No.: **27,827**

[22] Filed: **Aug. 30, 1994**

[52] U.S. Cl. .... **D9/429**

[58] Field of Search ..... D9/428, 429, 431, D9/424, 425, 455, 337; D1/118; D7/619; 229/1.5 R, 1.5 B, 1.5 H, 932; 206/499; 220/902, DIG. 8, 903

[56] **References Cited**

**U.S. PATENT DOCUMENTS**

- D. 279,037 5/1985 Schuler ..... D9/428 X
- D. 307,868 5/1990 Van Sumeren ..... D9/428
- D. 311,330 10/1990 Hamamura ..... D9/428
- D. 313,462 1/1991 Hart et al. .... D9/428

- D. 331,013 11/1992 Hamamura ..... D9/428
- 1,054,833 3/1913 Dutton ..... 220/4.21 X
- 3,322,262 5/1967 Puente ..... 220/4.21 X
- 3,768,691 10/1973 Cobb et al. .... 220/4.21 X
- 4,333,580 6/1982 Sweigart, Jr. .... 220/4.21 X

*Primary Examiner*—Prabhakar G. Deshmukh  
*Attorney, Agent, or Firm*—Kenyon & Kenyon

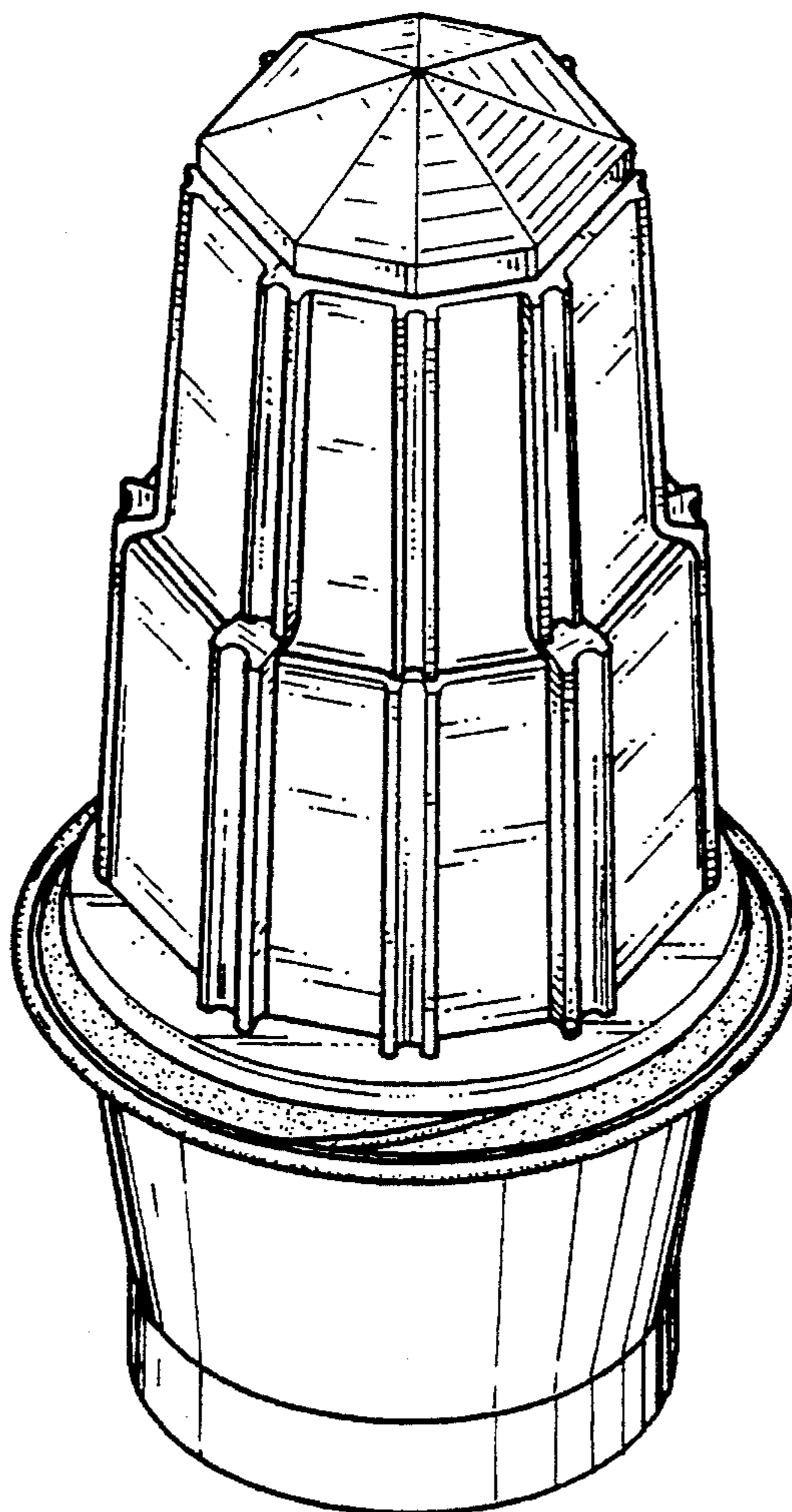
[57] **CLAIM**

The ornamental design for an ice cream container, as shown and described.

**DESCRIPTION**

FIG. 1 is a perspective view of an ice cream container, showing my new design;  
 FIG. 2 is a front elevation view thereof;  
 FIG. 3 is a rear elevation view thereof;  
 FIG. 4 is a top view thereof;  
 FIG. 5 is a bottom view thereof;  
 FIG. 6 is a left side elevation view thereof;  
 FIG. 7 is a right side elevation view thereof; and,  
 FIG. 8 is an exploded perspective view thereof.

**1 Claim, 5 Drawing Sheets**



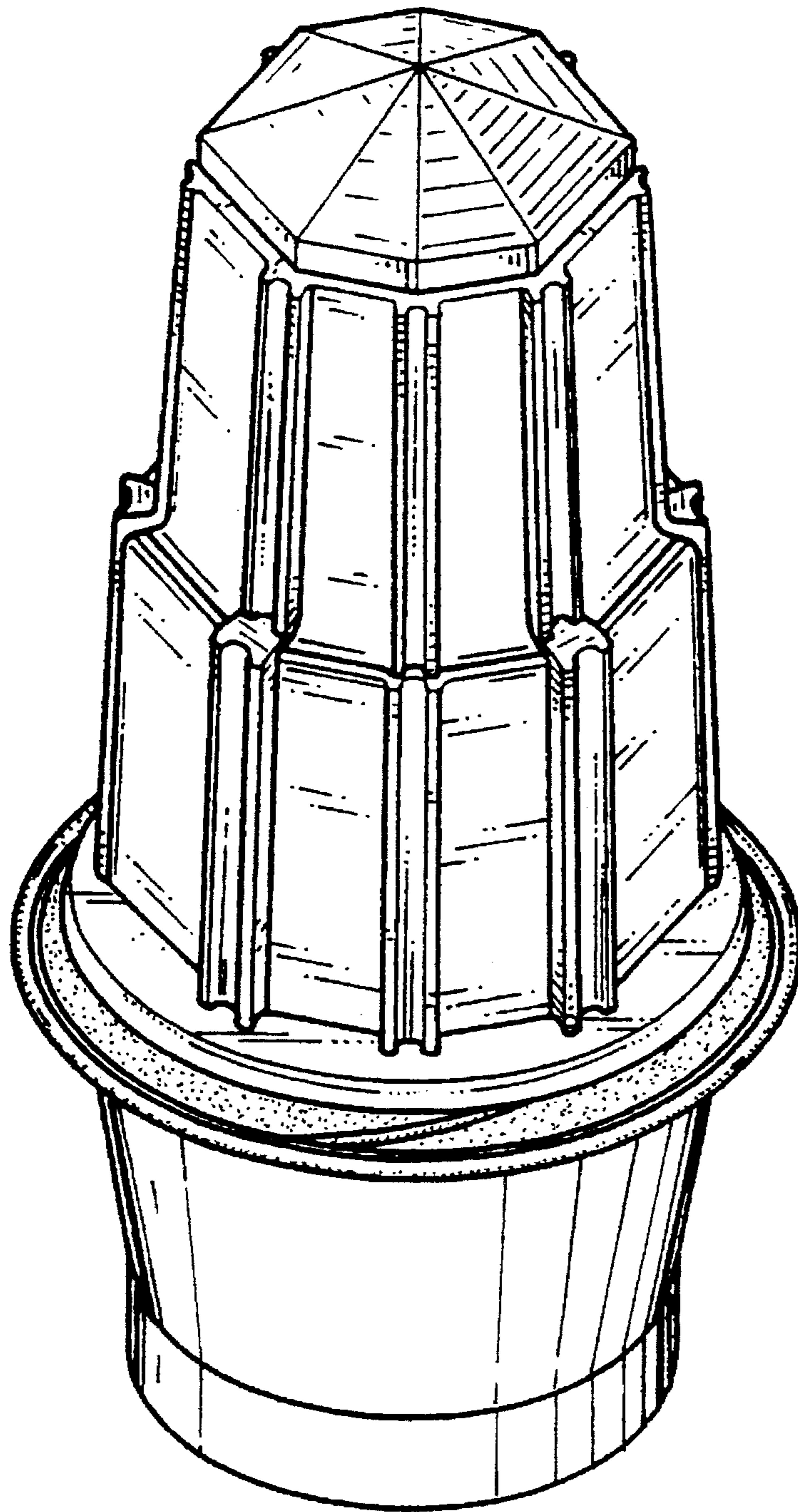


FIG. 1

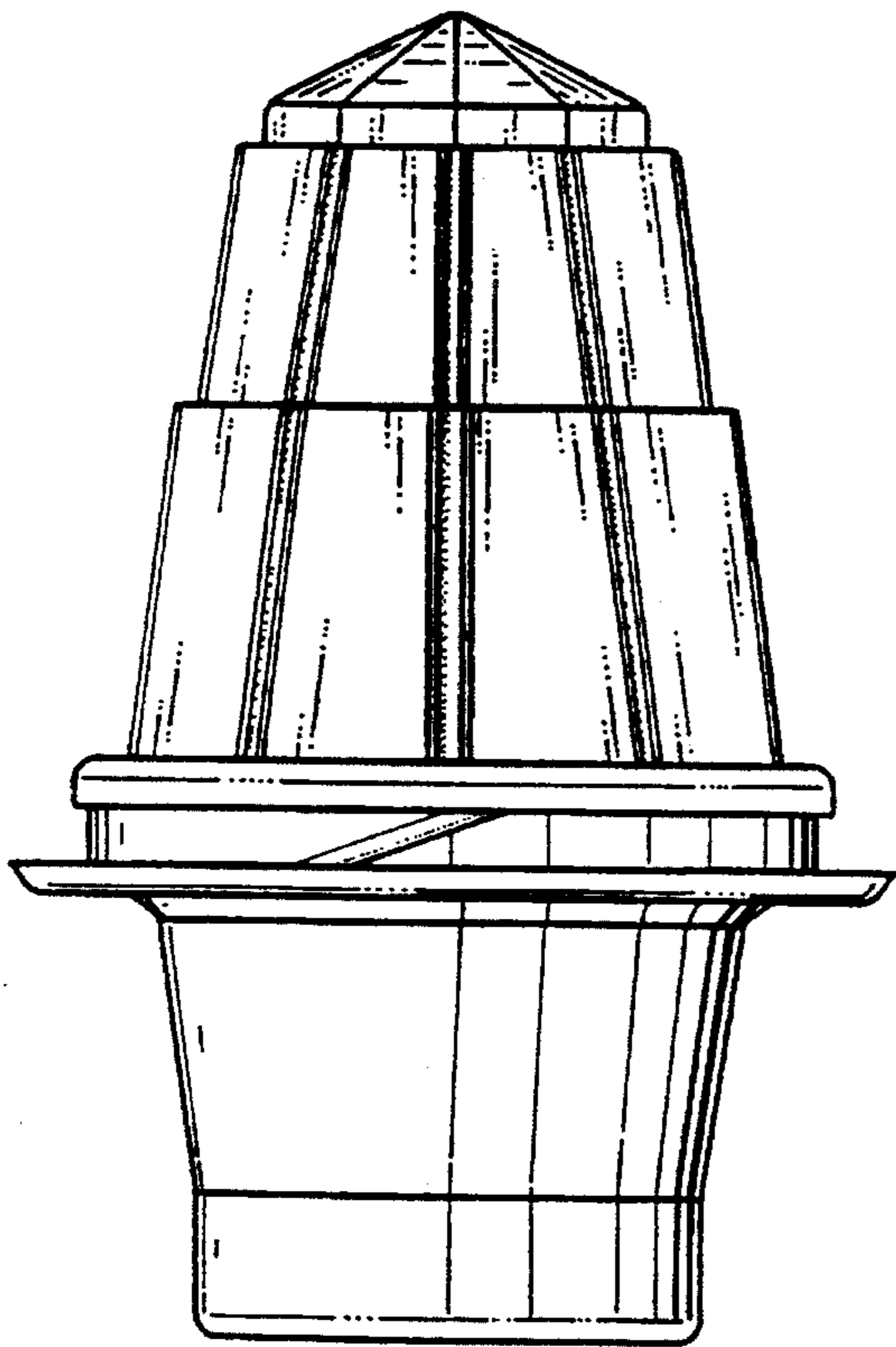


FIG. 2

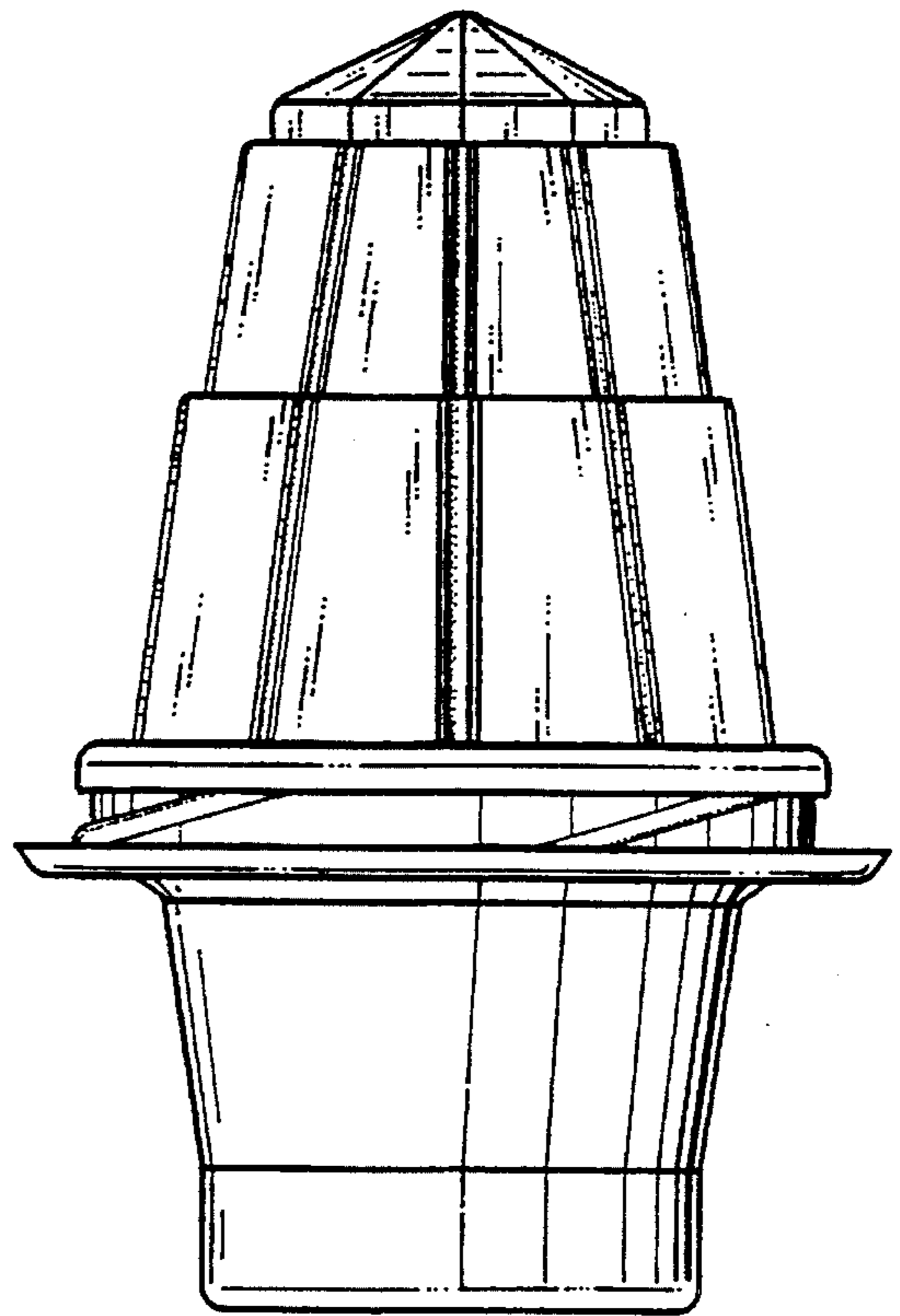


FIG. 3



FIG. 4

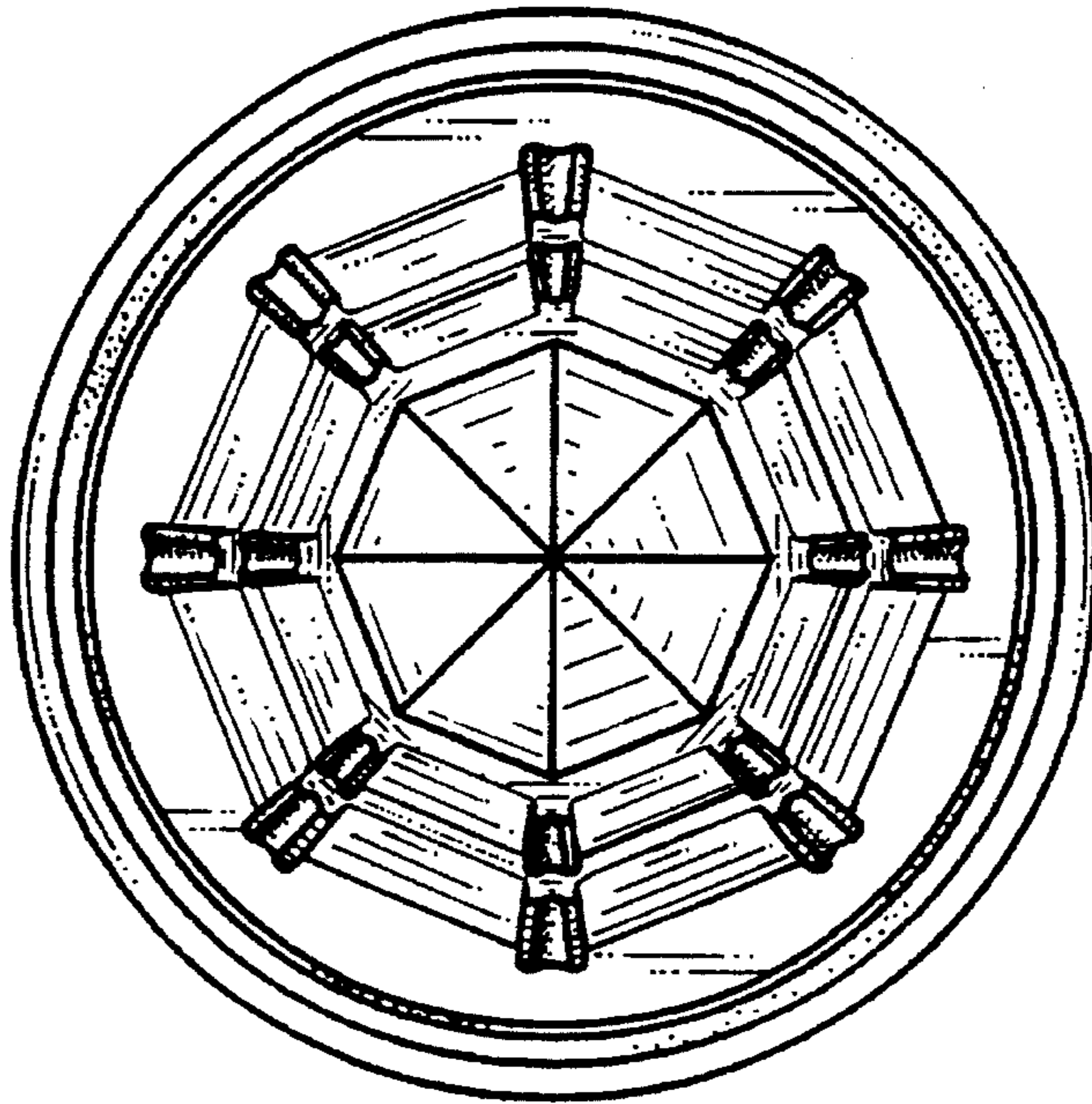
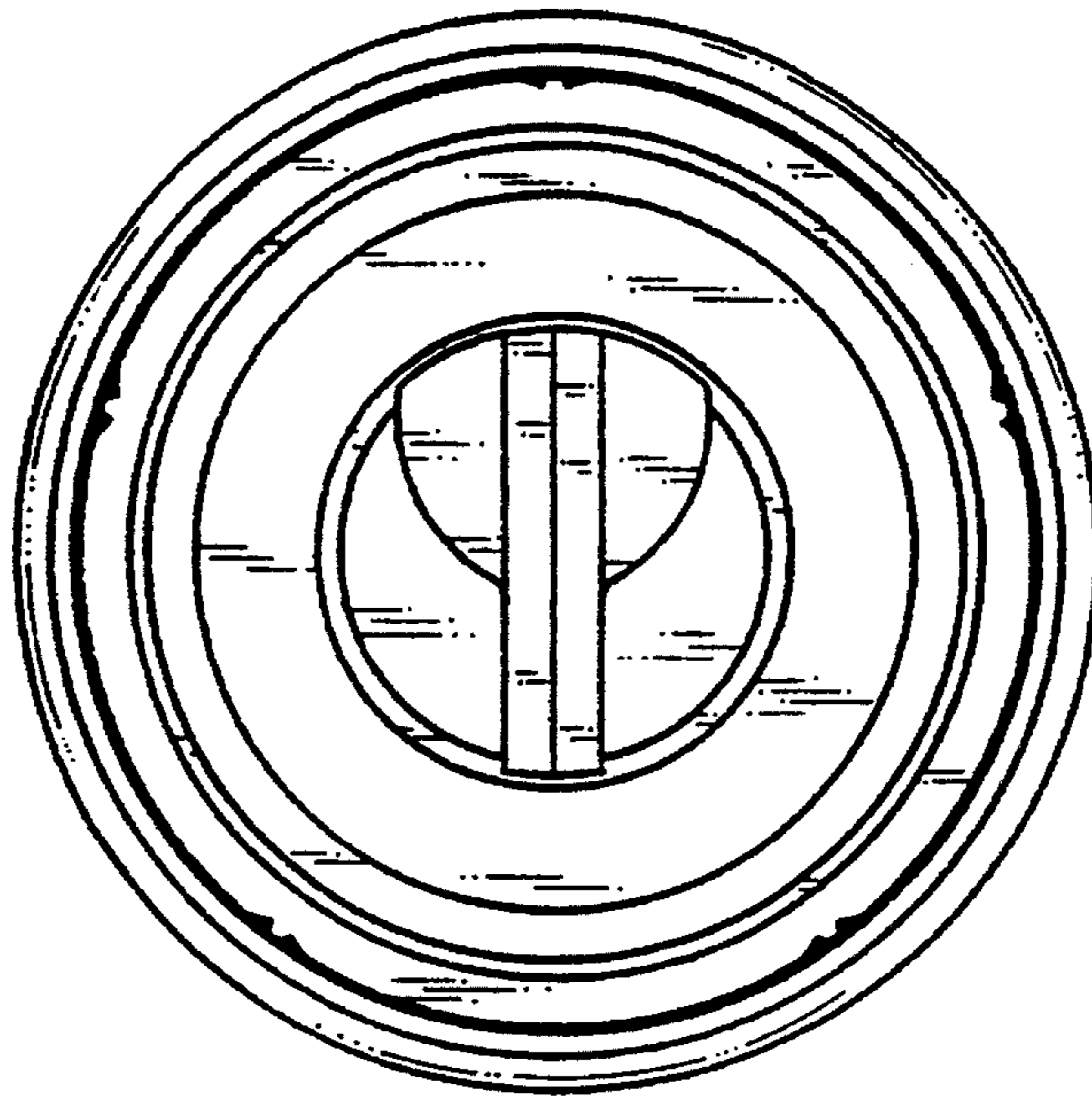


FIG. 5



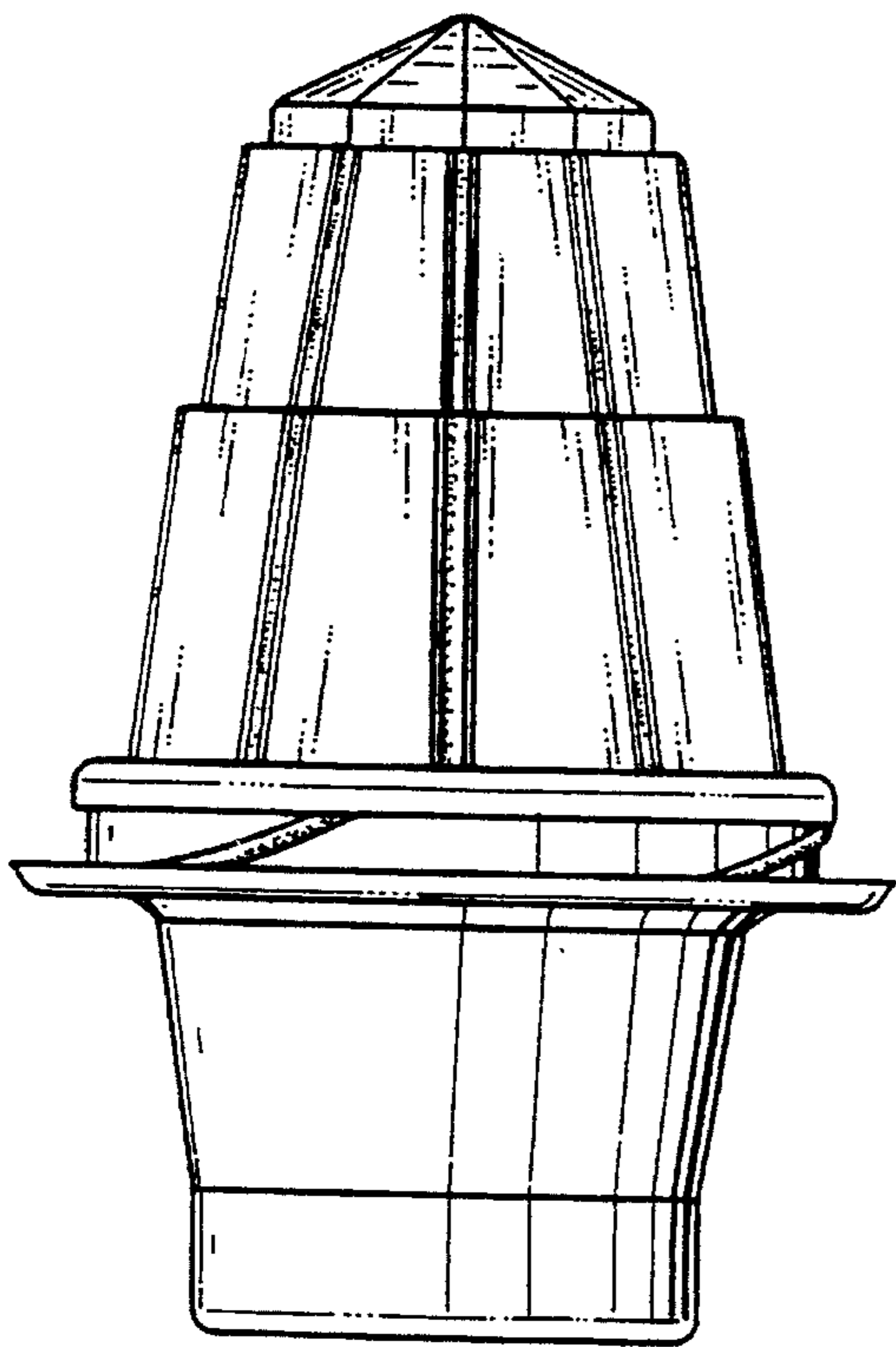


FIG. 6

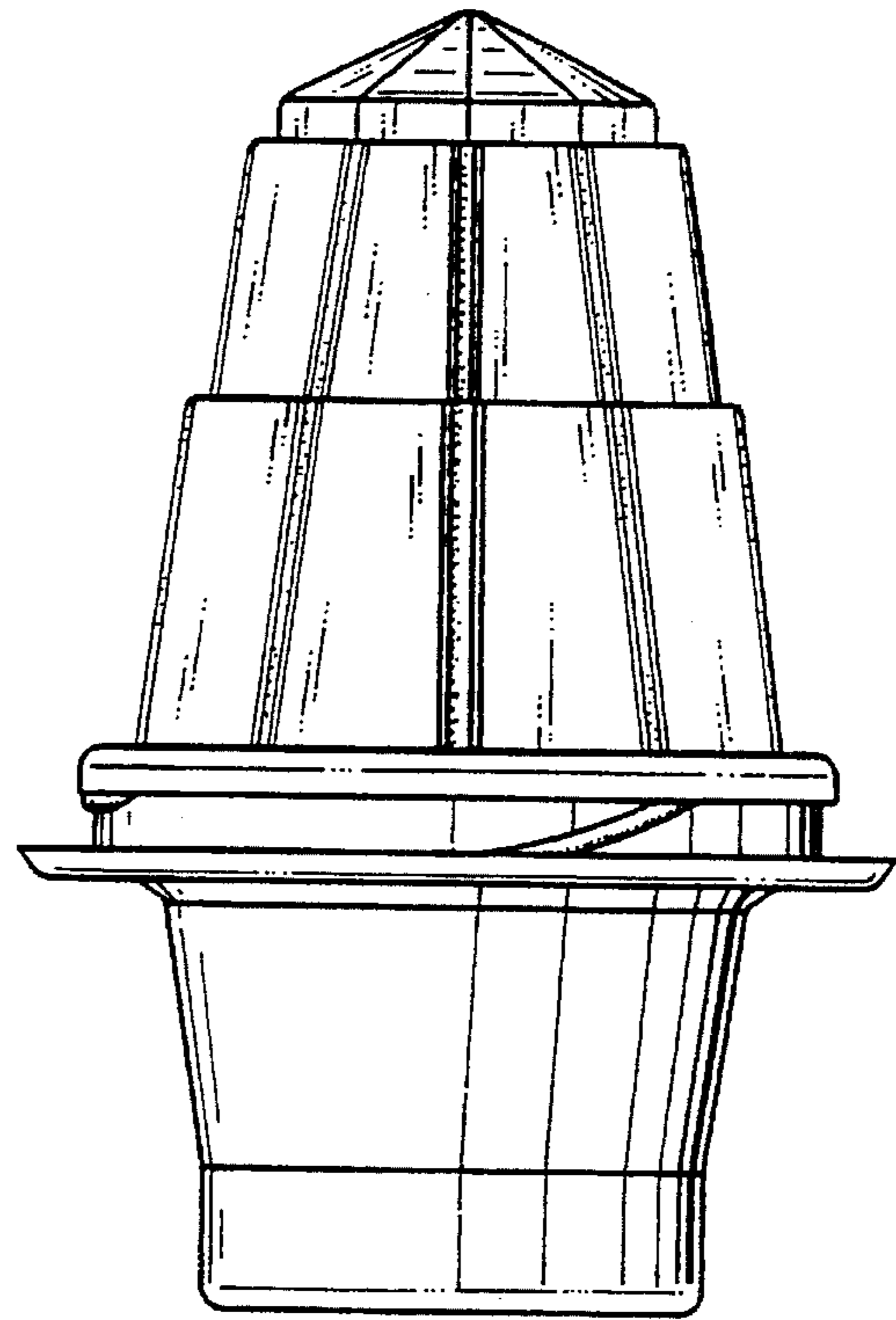


FIG. 7

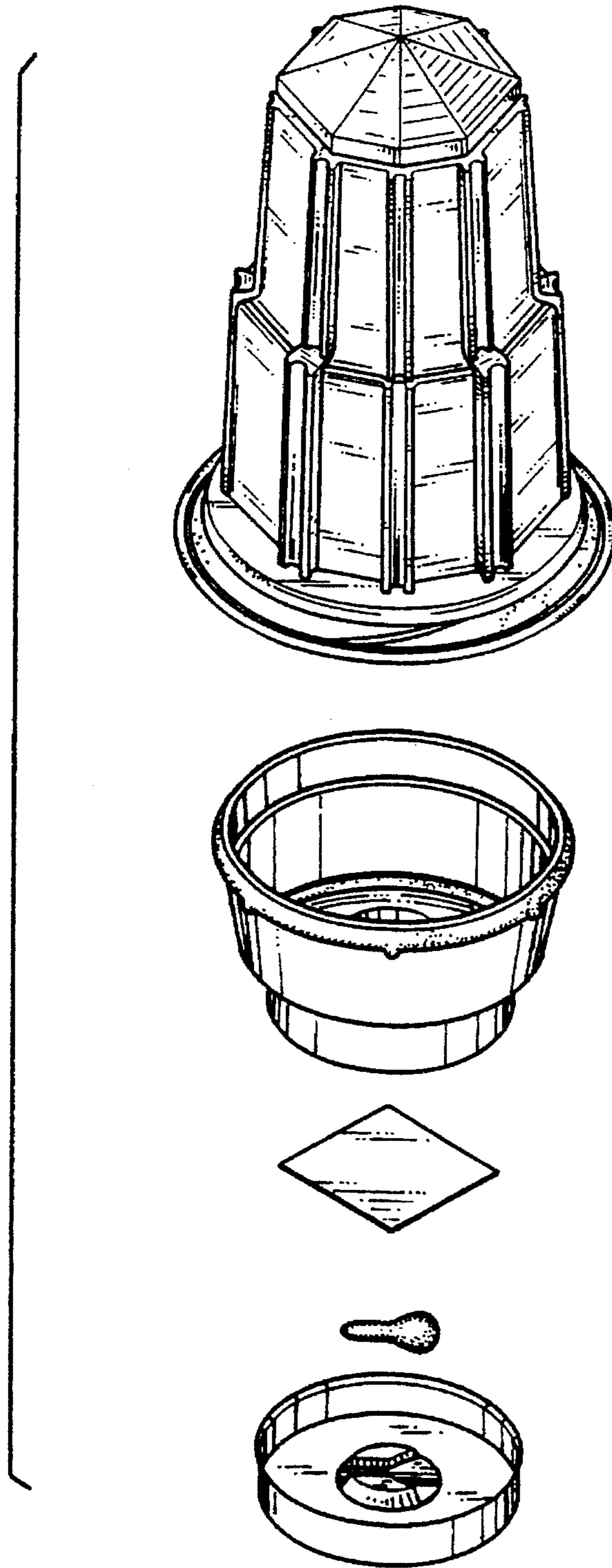


FIG. 8