



US00D369295S

United States Patent [19]

Kobari et al.

[11] Patent Number: **Des. 369,295**

[45] Date of Patent: ****Apr. 30, 1996**

[54] WATCH BOX

[75] Inventors: **Hiroaki Kobari**, Tokyo, Japan;
Toyohiko Shigeta, Hackensack, N.J.;
Takashi Wakuyama, Tokyo, Japan

[73] Assignee: **Kabushiki Kaisha Hattori Seiko**,
Tokyo, Japan

[**] Term: **14 Years**

[21] Appl. No.: **22,802**

[22] Filed: **Apr. 25, 1994**

[52] U.S. Cl. **D9/423; D9/432**

[58] Field of Search D9/420-423, 432,
D9/337, 456, 341; 206/6.1, 301, 18; 220/356,
334, 337

[56] References Cited

U.S. PATENT DOCUMENTS

D. 174,454	4/1955	King	D9/423
D. 314,273	2/1991	Minneman	D9/423 X
D. 336,989	7/1993	Rentz	D9/423
D. 344,676	3/1994	Newman	D9/430
1,098,768	6/1914	Sundee	206/301 X
1,653,500	12/1927	Flier	206/310 X
1,735,060	11/1929	Shields	206/301 X
5,133,455	7/1992	Chow	220/337 X

OTHER PUBLICATIONS

Tory Jewel Boxes, Cat #50, Jan. 1950.
Jewelers Keystone Jun. 20, 1975, p. 530.
Packaging Catalog, 1964, p. 222.
Modern Packaging, 1967, p. 227.

Primary Examiner—Prabhakar G. Deshmukh
Attorney, Agent, or Firm—Stroock & Stroock & Lavan

[57] CLAIM

The ornamental design for a watch box, as shown and described.

DESCRIPTION

FIG. 1 is a front perspective view of the watch box in the closed position in accordance with our new design;
FIG. 2 is a front perspective view of the watch box in the opened position in accordance with our new design;
FIG. 3 is a top plan view thereof;
FIG. 4 is a front elevational view thereof;
FIG. 5 is a left side view thereof;
FIG. 6 is a right side view thereof;
FIG. 7 is a rear elevational view thereof; and,
FIG. 8 is a bottom plan view thereof.

1 Claim, 3 Drawing Sheets

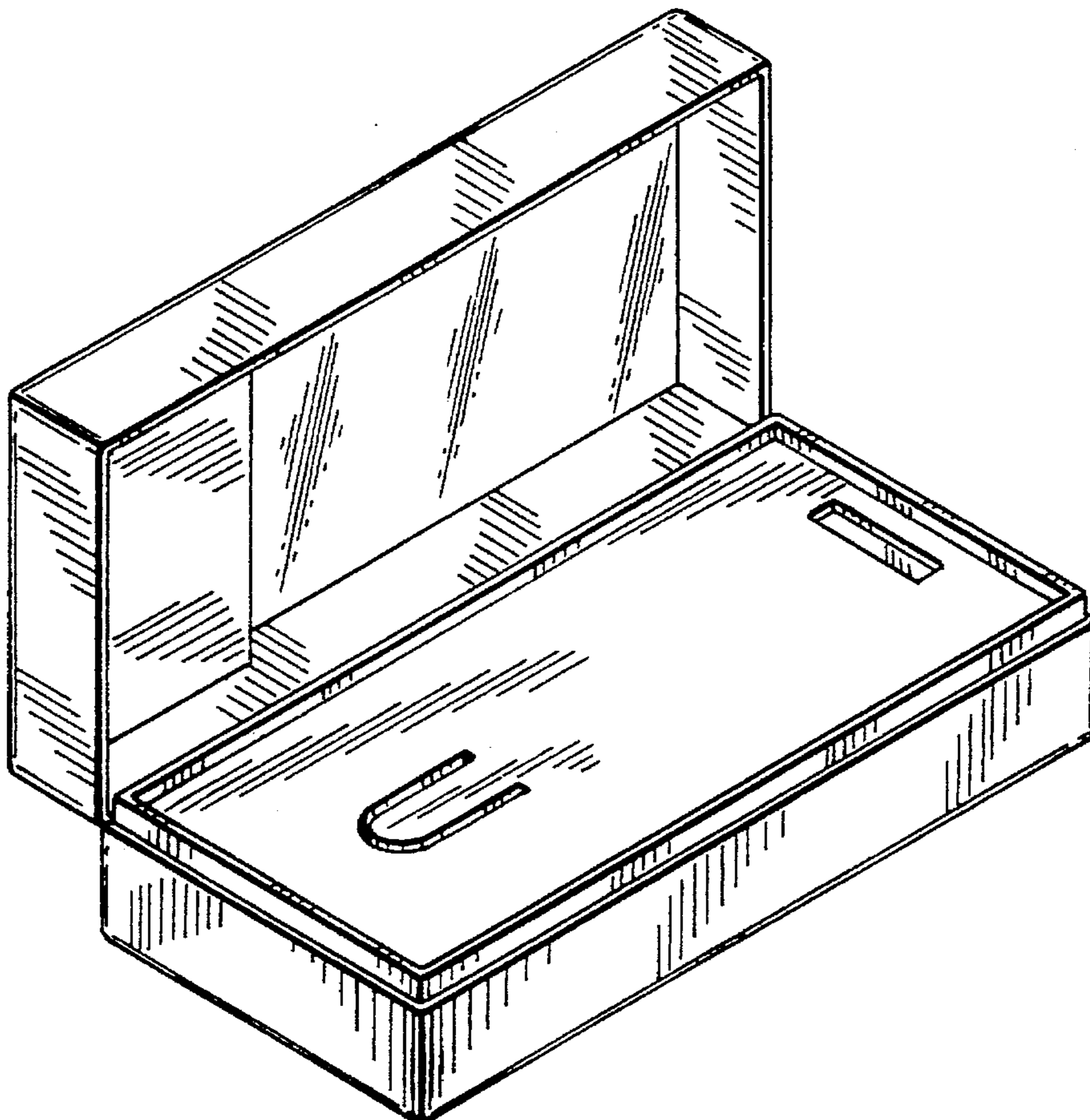


FIG. 1

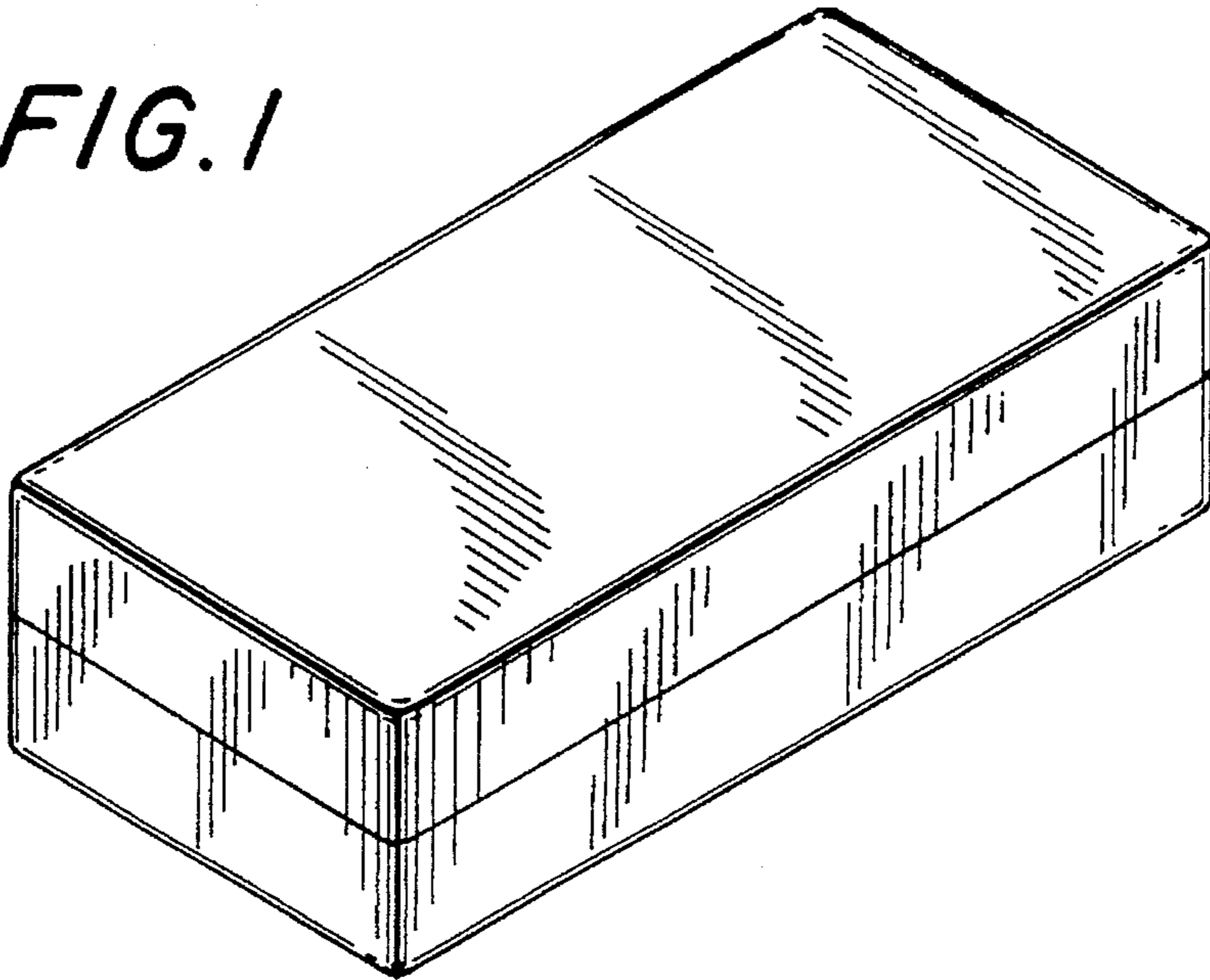
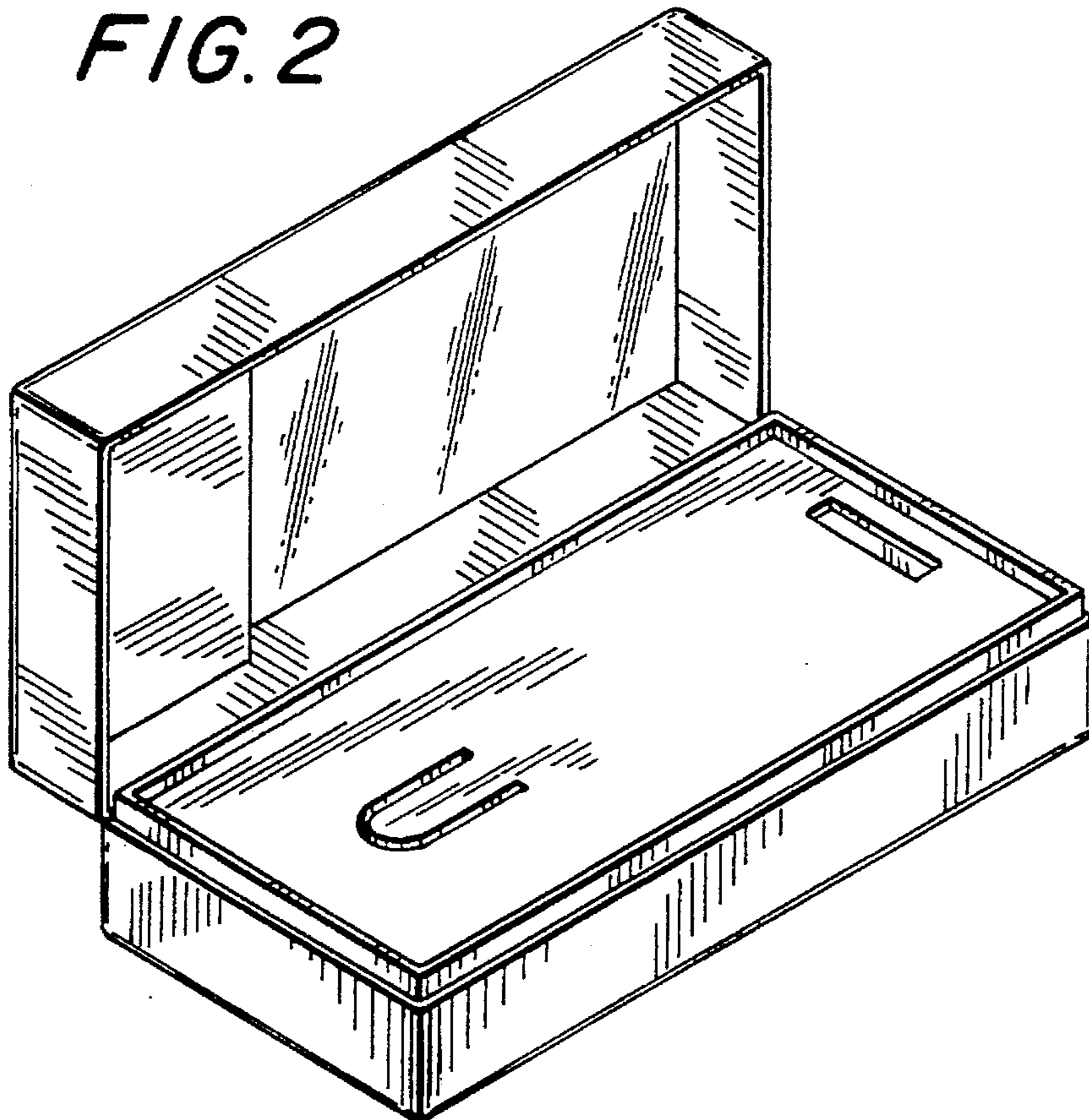


FIG. 2



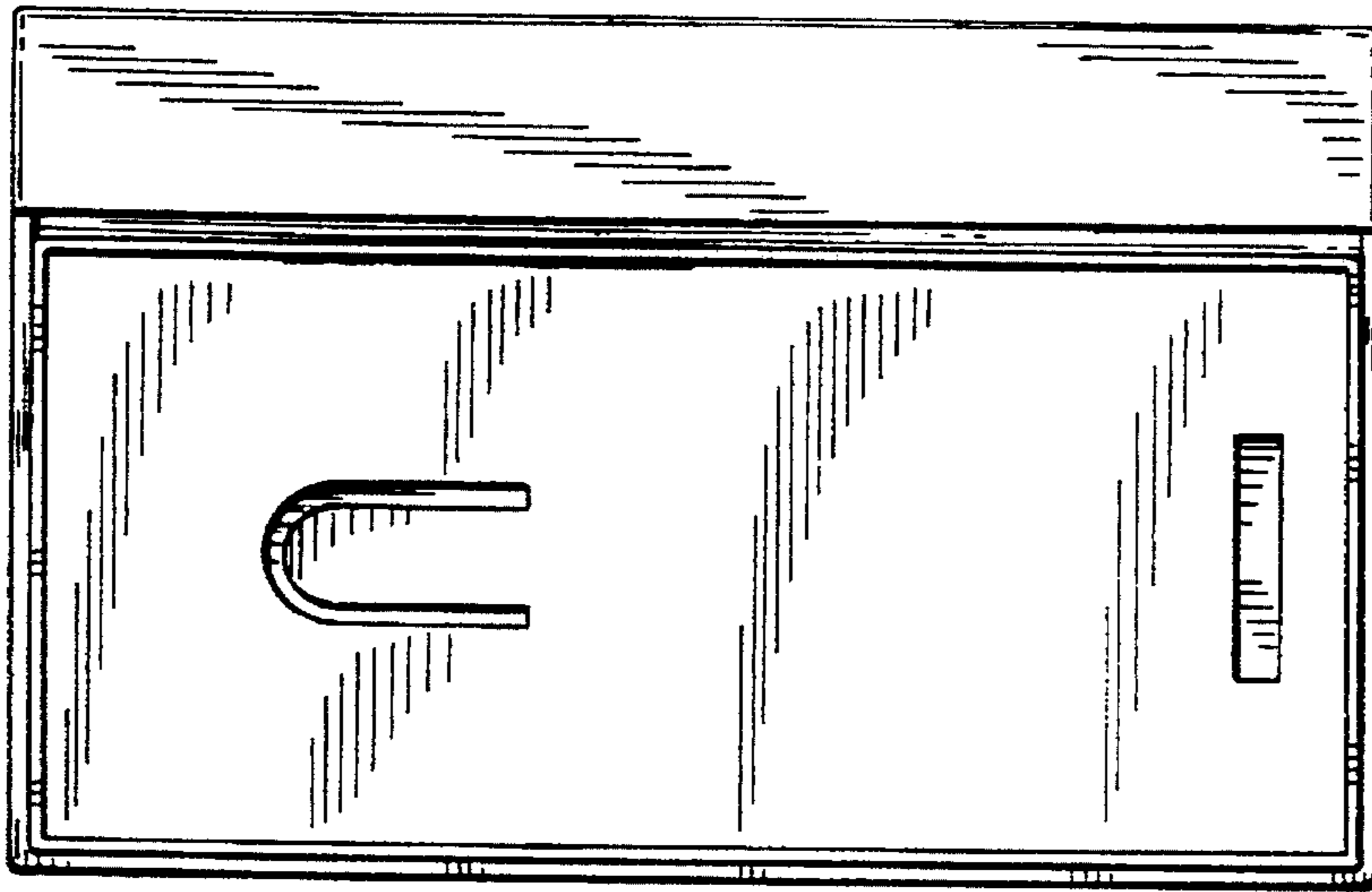


FIG. 3

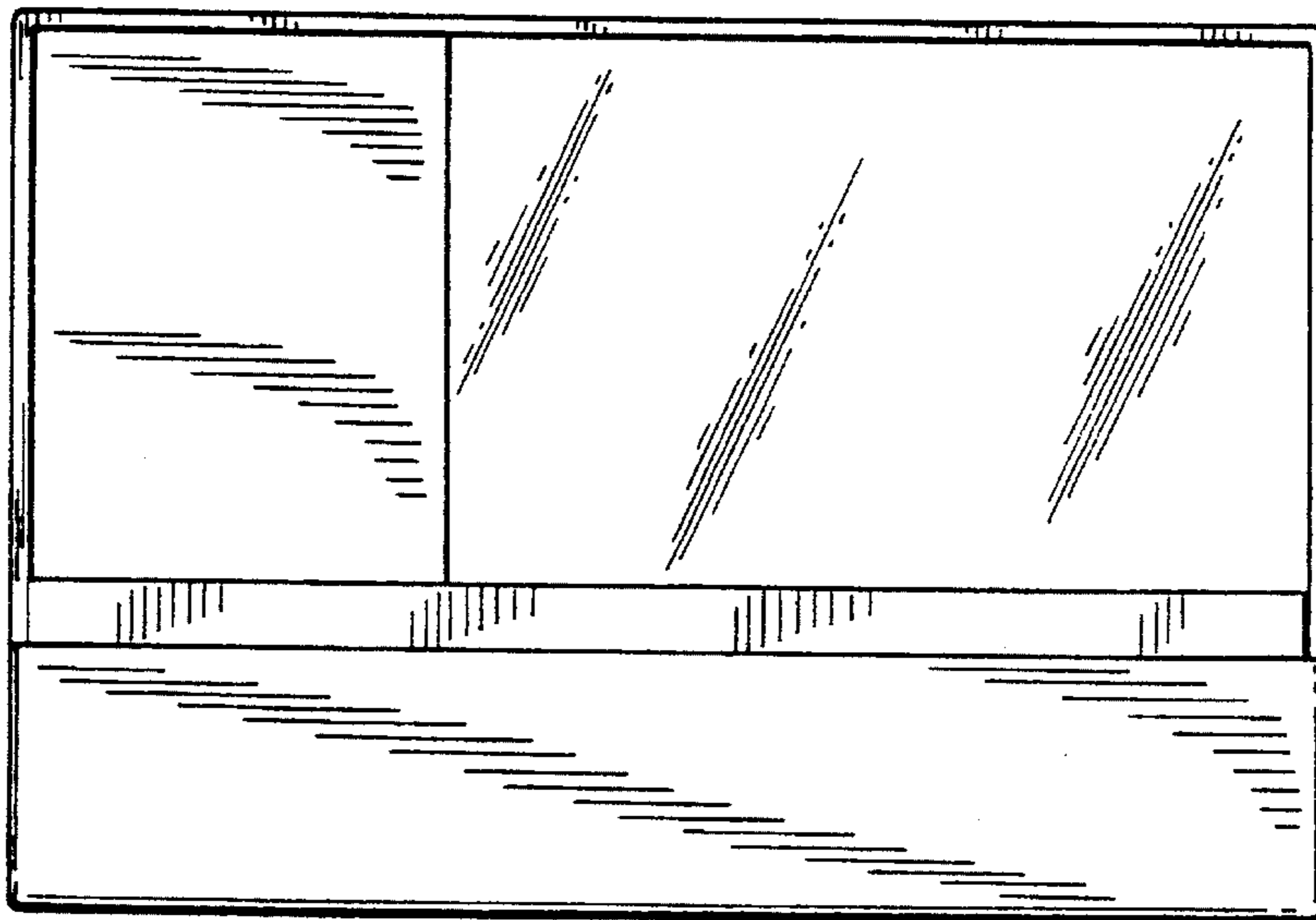


FIG. 4

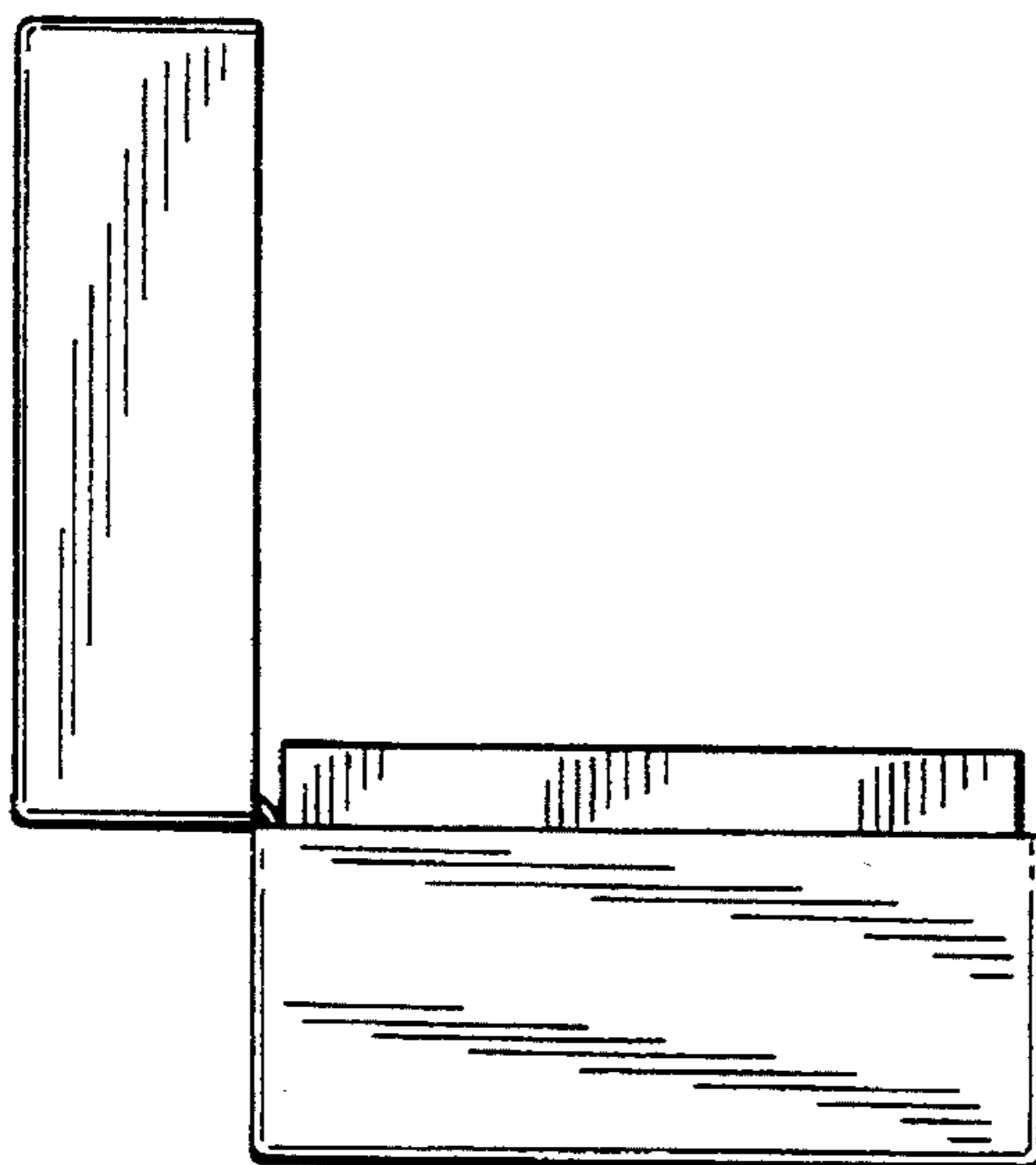


FIG. 5

FIG. 6

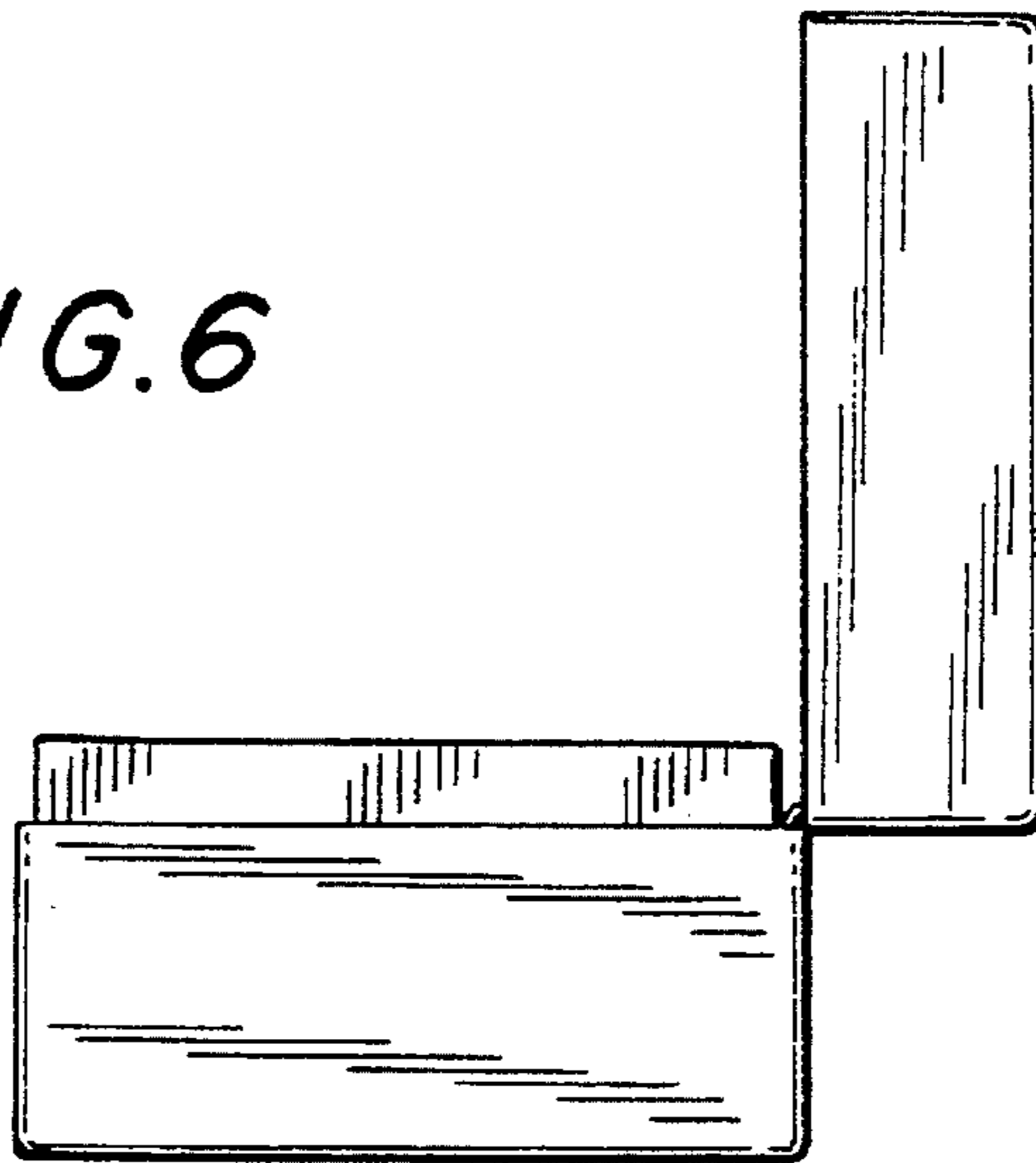


FIG. 7

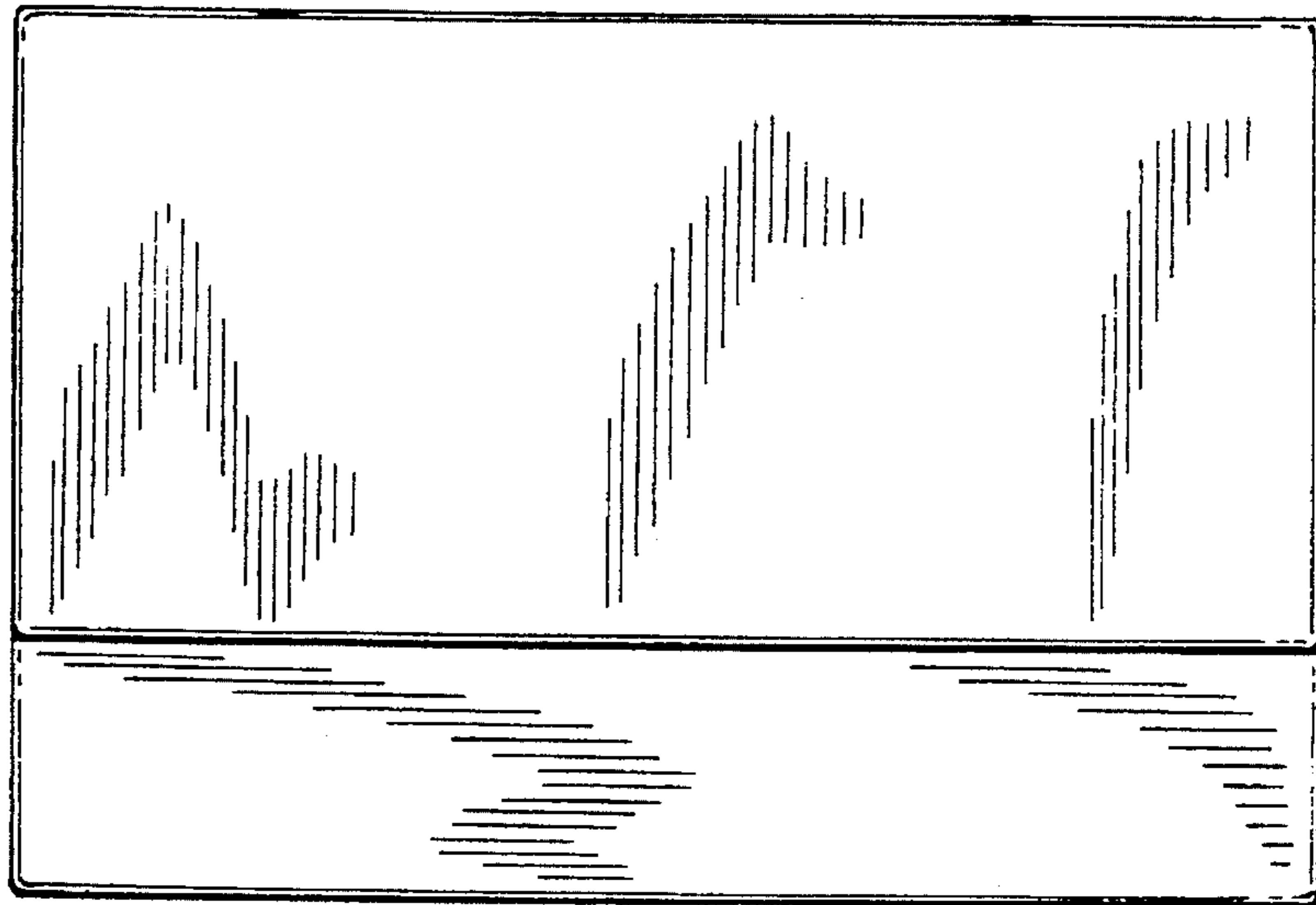


FIG. 8

