



US00D369288S

# United States Patent [19]

Jensen

[11] Patent Number: **Des. 369,288**

[45] Date of Patent: **\*\*Apr. 30, 1996**

[54] **DRAW-OPERATED LOCK HANDLE**

[76] Inventor: **Ulla L. F. Jensen**, Storeholm 17,  
DK-2670 Greve, Denmark

[\*\*] Term: **14 Years**

[21] Appl. No.: **20,304**

[22] Filed: **Mar. 23, 1994**

### [30] Foreign Application Priority Data

Sep. 23, 1993 [DK] Denmark ..... 93/0871

[52] U.S. Cl. .... **D8/313**; D8/310; D8/330;  
D8/352

[58] Field of Search ..... D8/300, 302, 307,  
D8/310, 313, 330, 352; 16/110 R, 124;  
312/348.6; 70/85, 208, 86

### [56] References Cited

#### U.S. PATENT DOCUMENTS

D. 160,710	10/1950	Kadleck	.....	D8/313
D. 164,606	9/1951	Schlage	.....	D8/352
D. 240,394	7/1976	Geer	.....	D8/302
D. 321,468	11/1991	Reid	.....	D8/352
2,357,049	8/1944	Leonard	.....	70/208

2,720,103	10/1955	Golden et al.	.....	70/86
3,070,830	1/1963	Schirmer	.....	16/124
5,076,080	12/1991	Fuss et al.	.....	70/208

Primary Examiner—B. J. Bullock  
Attorney, Agent, or Firm—Antonelli, Terry, Stout & Kraus

### [57] CLAIM

The ornamental design for a draw-operated lock handle, as shown and described.

### DESCRIPTION

FIG. 1 is a perspective view of the draw-operated lock handle in a locked position;

FIG. 2 is a side view of the draw-operated lock handle in the locked position;

FIG. 3 is a front view of the draw-operated lock handle; and, FIG. 4 is a perspective view of the draw-operated lock handle in an unlocked position.

The broken lines in FIGS. 1-4 showing a portion of a panel on which the draw-operated lock handle and a lock operated by the draw-operated lock handle are mounted and a housing of the lock are for illustrative purposes only and form no part of the claimed design.

1 Claim, 2 Drawing Sheets

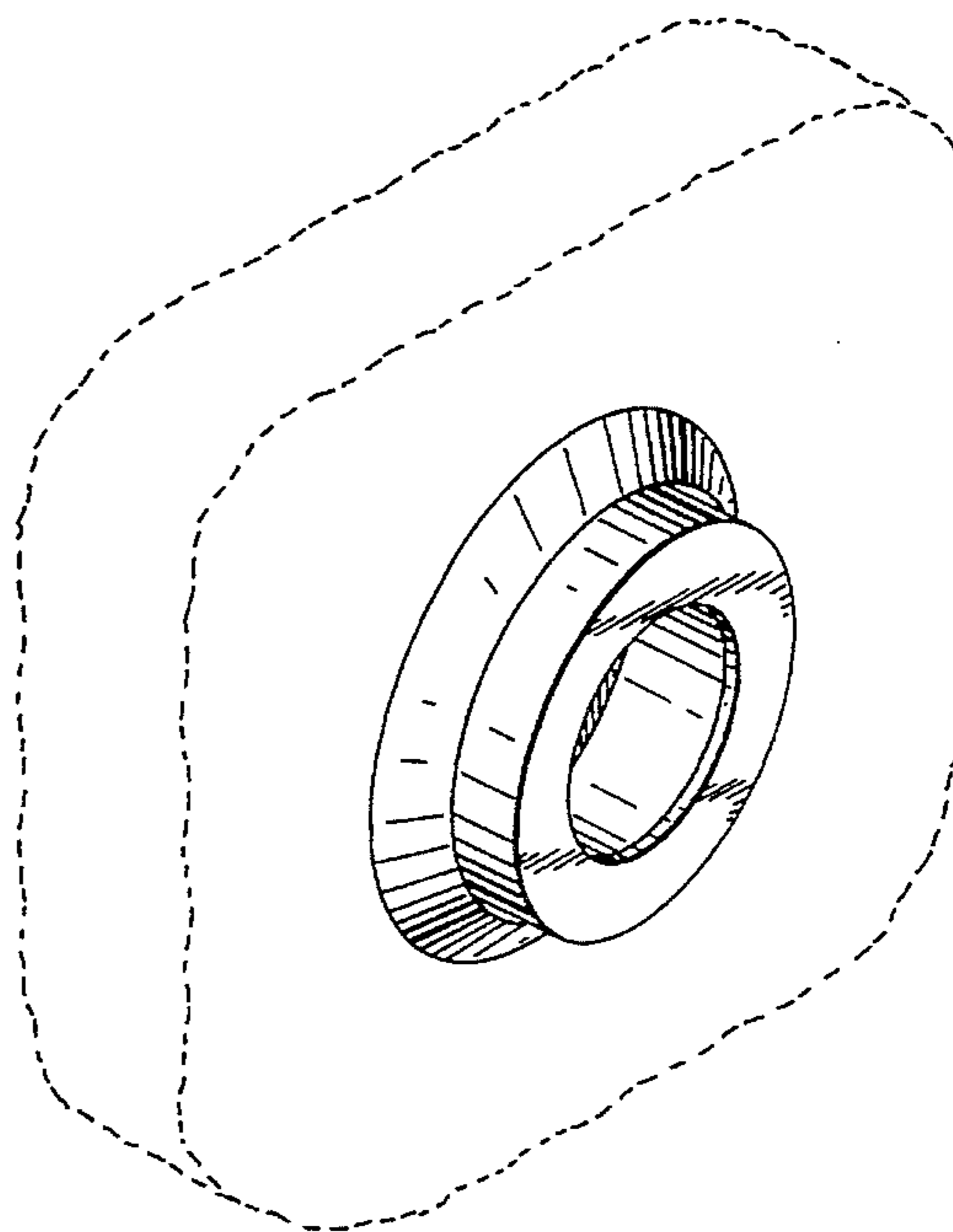
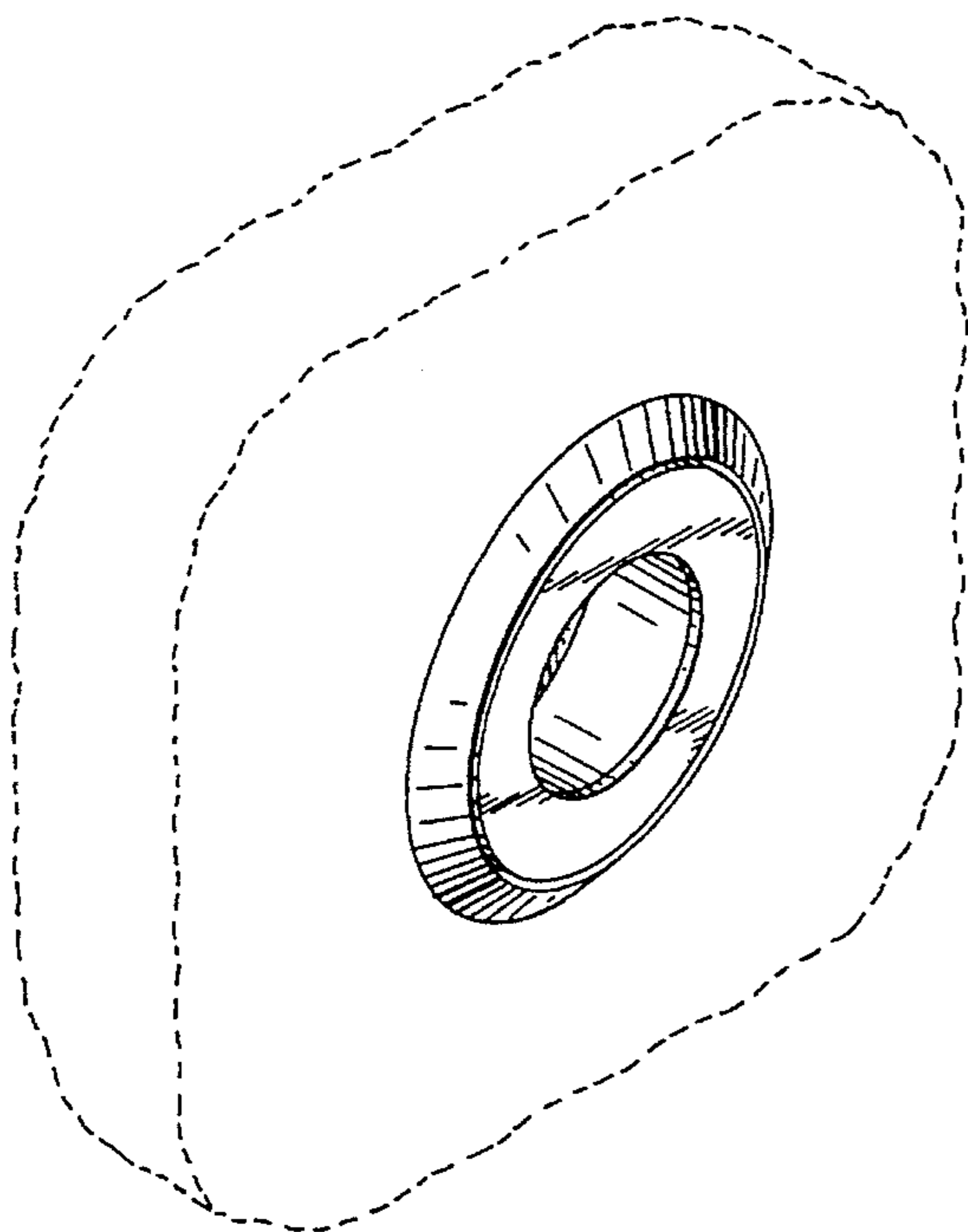


FIG. 1

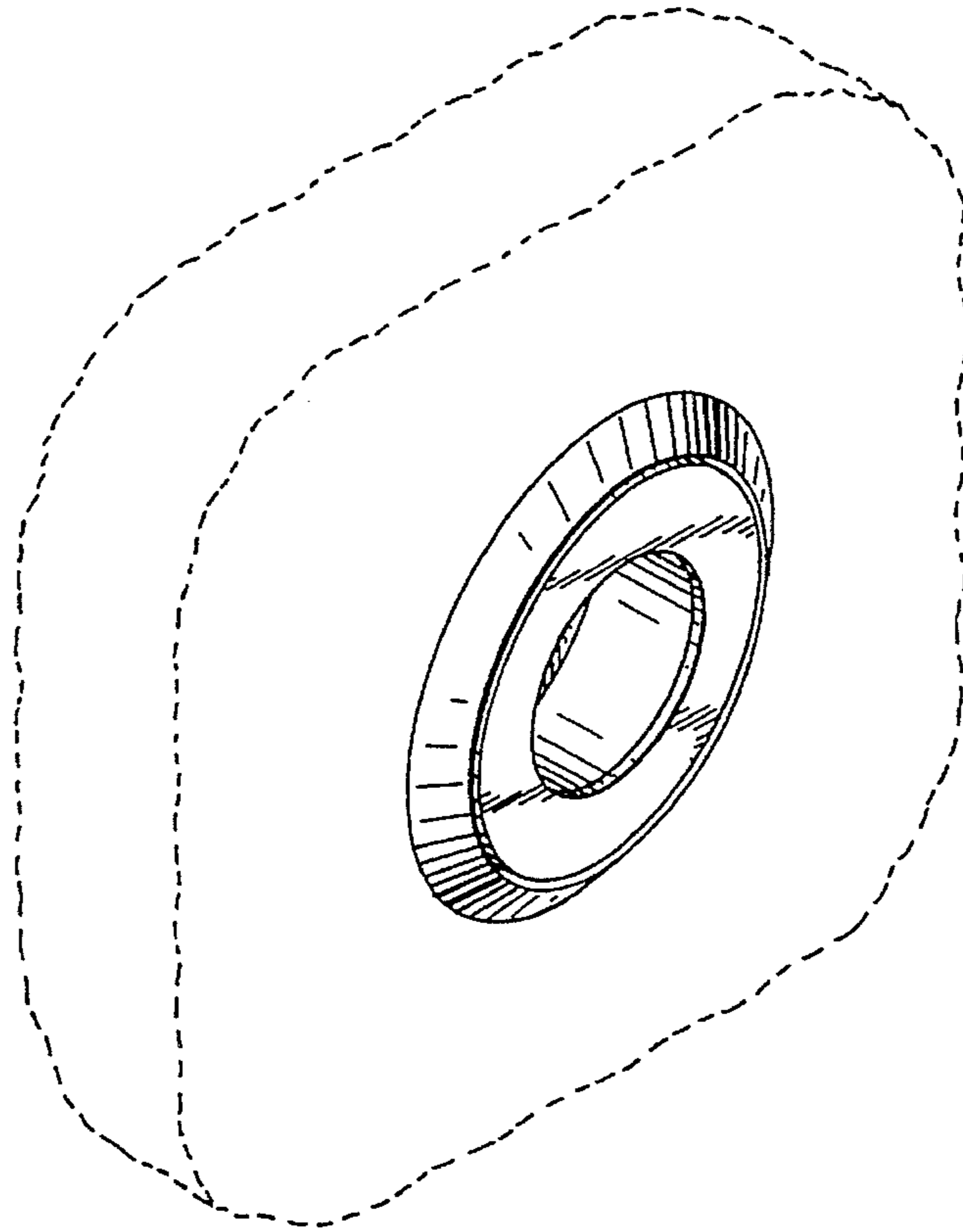


FIG. 2

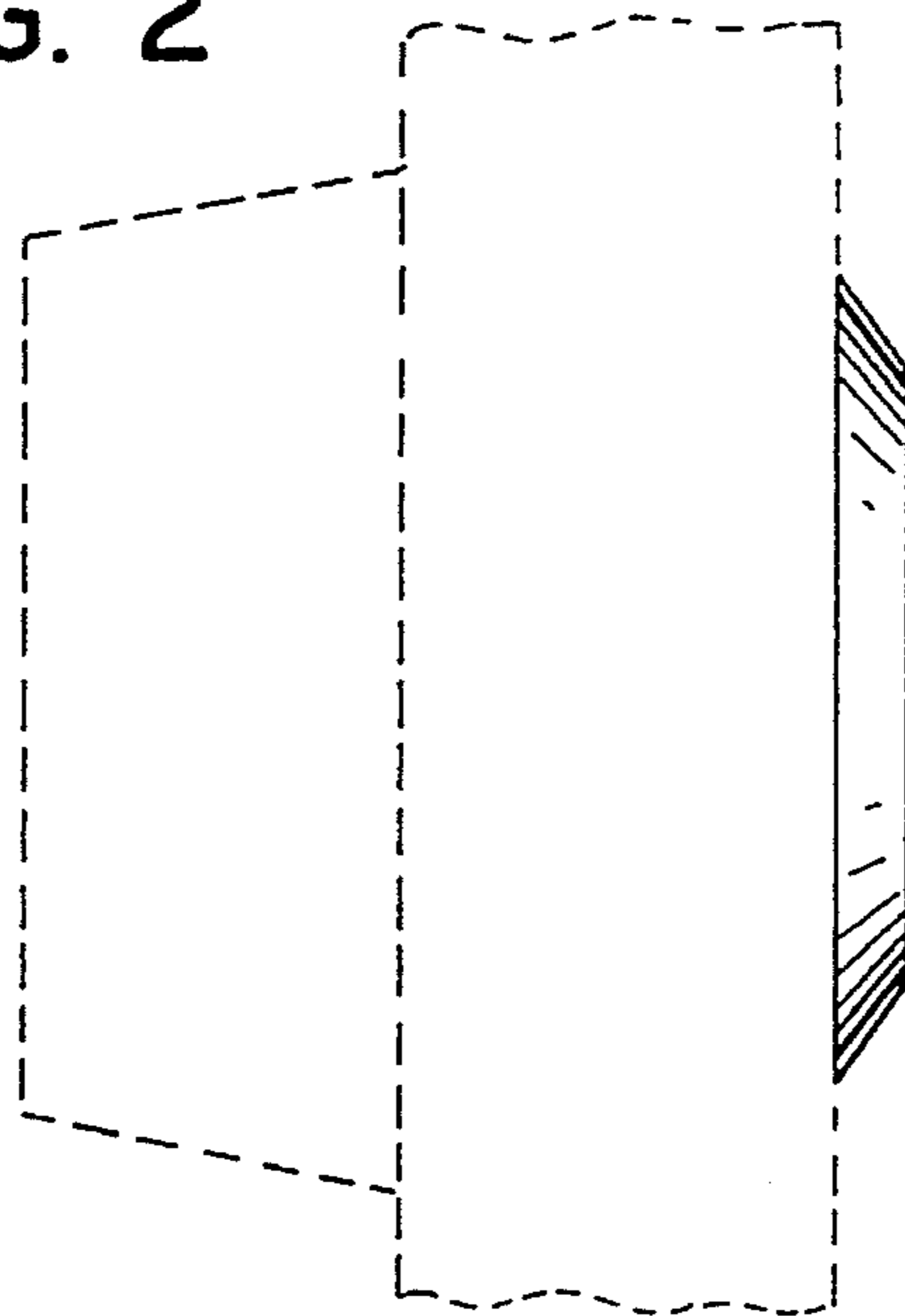


FIG. 3

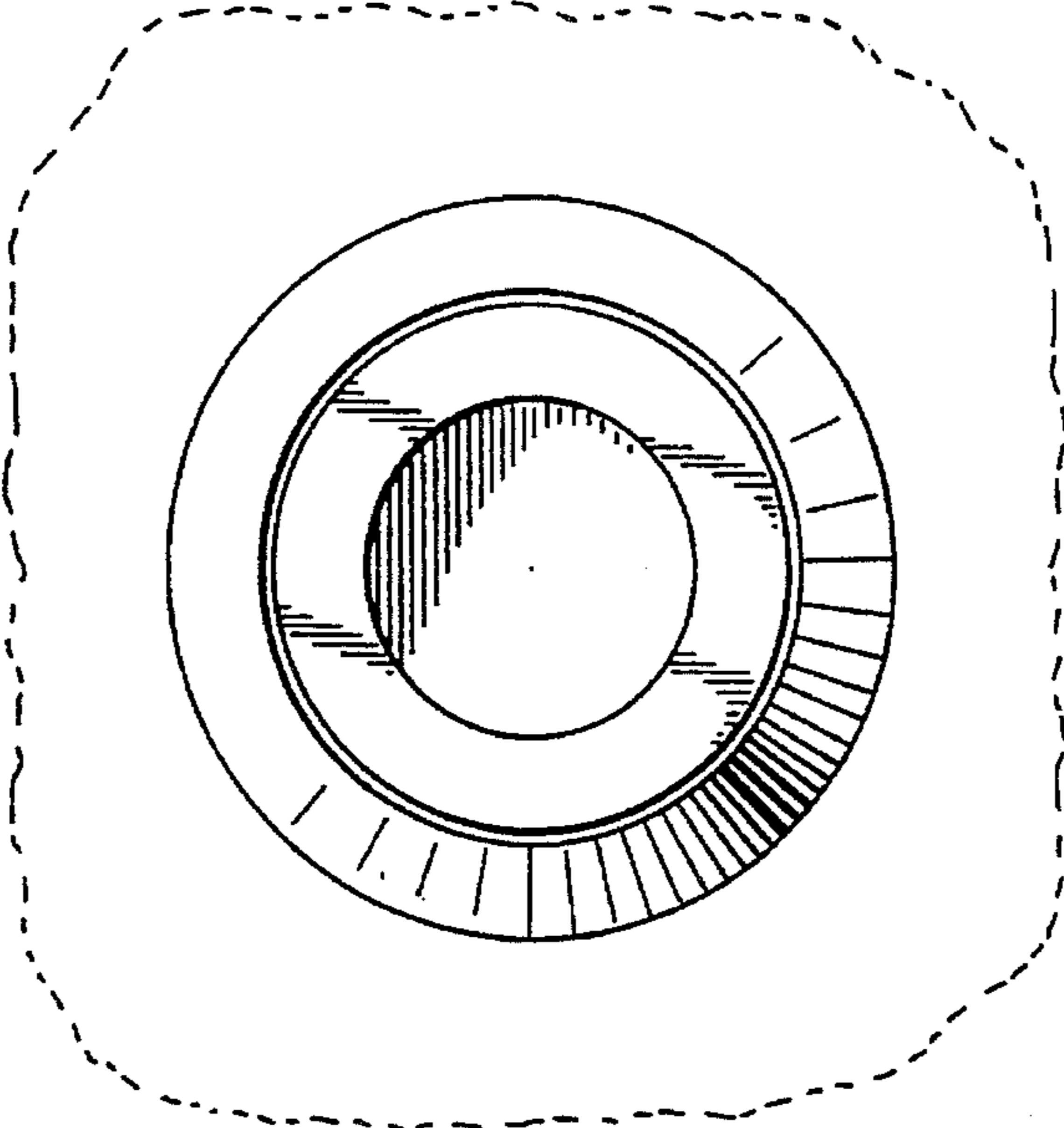


FIG. 4

