



US00D369285S

United States Patent [19] Leech

[11] Patent Number: **Des. 369,285**

[45] Date of Patent: ****Apr. 30, 1996**

[54] **MASTIC GUN**

[75] Inventor: **Andrew C. Leech**, Newbury, England

[73] Assignee: **B.B.A. Group plc**, West Yorkshire,
United Kingdom

[**] Term: **14 Years**

[21] Appl. No.: **37,828**

[22] Filed: **Apr. 21, 1995**

[30] Foreign Application Priority Data

Oct. 21, 1994 [GB] United Kingdom 2042736

[52] U.S. Cl. **D8/14.1**

[58] Field of Search D8/14.1; D15/150;
74/525; 222/386-394

[56] References Cited

U.S. PATENT DOCUMENTS

3,571,885 3/1971 McGrath D8/14.1 X

4,461,407 7/1984 Finnegan 222/391

4,509,662 4/1985 Weiss 222/391

FOREIGN PATENT DOCUMENTS

1023572 6/1985 United Kingdom .

Primary Examiner—Antoine Duval Davis
Attorney, Agent, or Firm—Olson & Hierl, Ltd.

[57] CLAIM

The ornamental design for a mastic gun, as shown and described.

DESCRIPTION

FIG. 1 is a perspective view of the new design for a mastic gun;

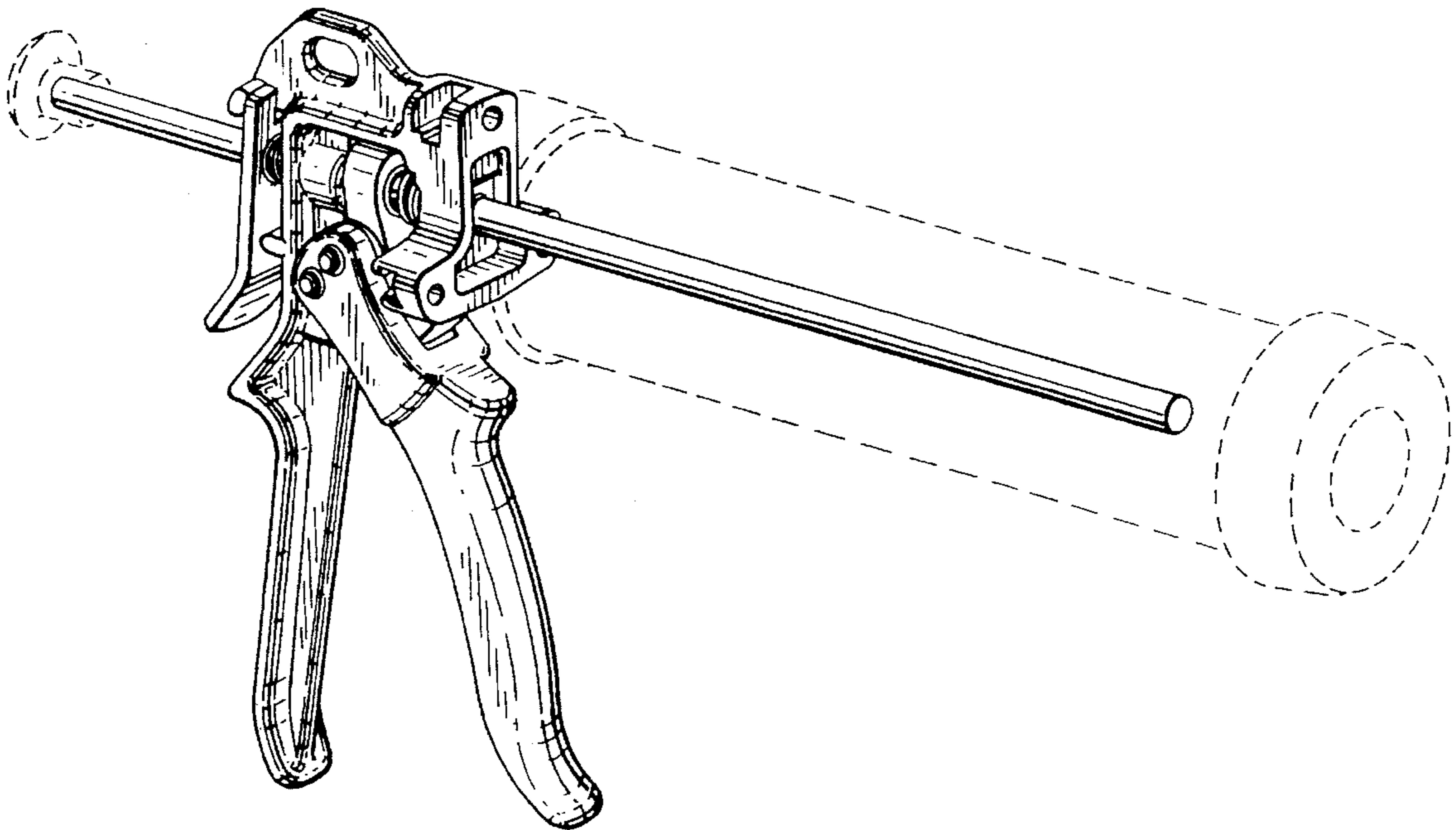
FIG. 2 is a plan view of the mastic gun shown in FIG. 1;
FIG. 3 is a side elevational view of the mastic gun shown in FIG. 1;

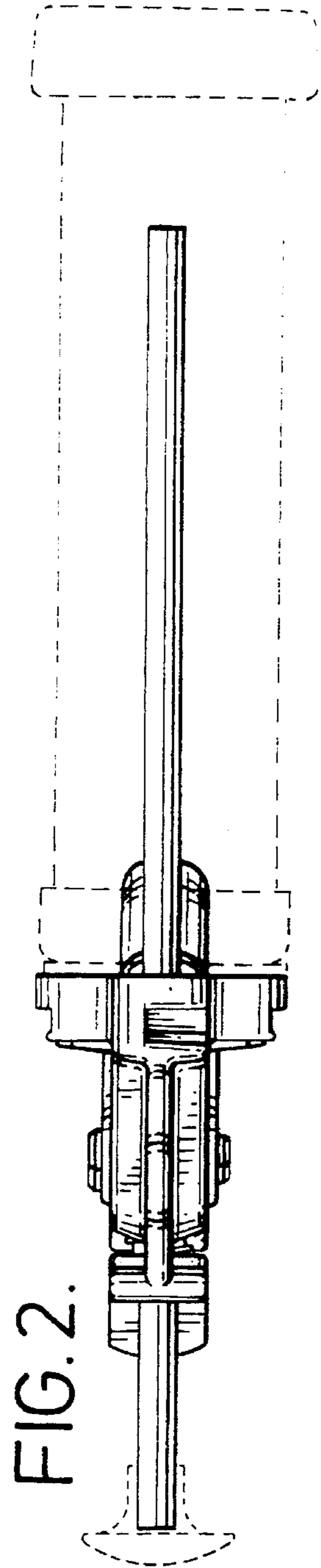
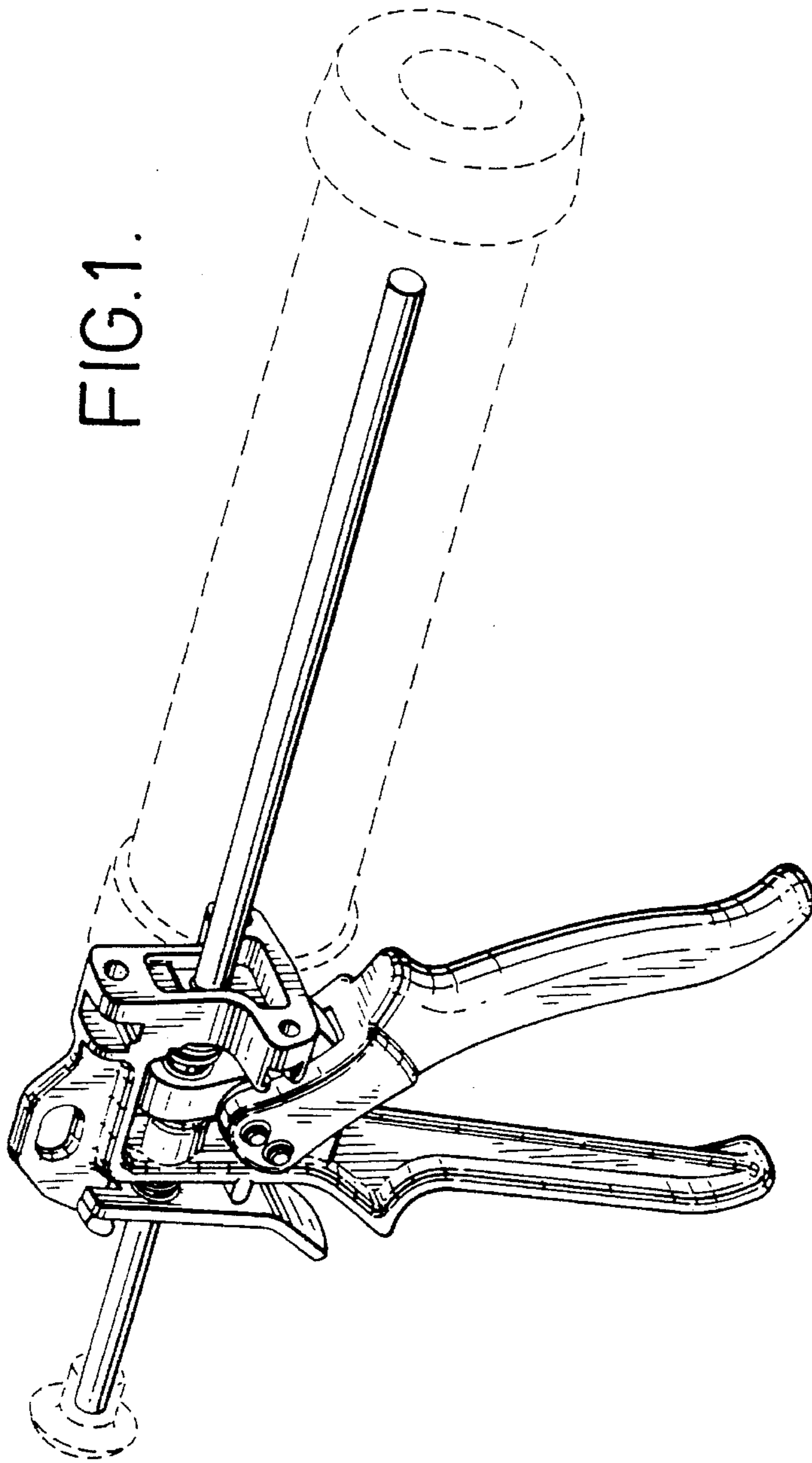
FIG. 4 is a rear elevational view of the mastic gun shown in FIG. 1; and,

FIG. 5 is a front elevational view of the mastic gun shown in FIG. 1.

The broken line showings are for illustrative purposes only and forms no part of the claimed design.

1 Claim, 2 Drawing Sheets





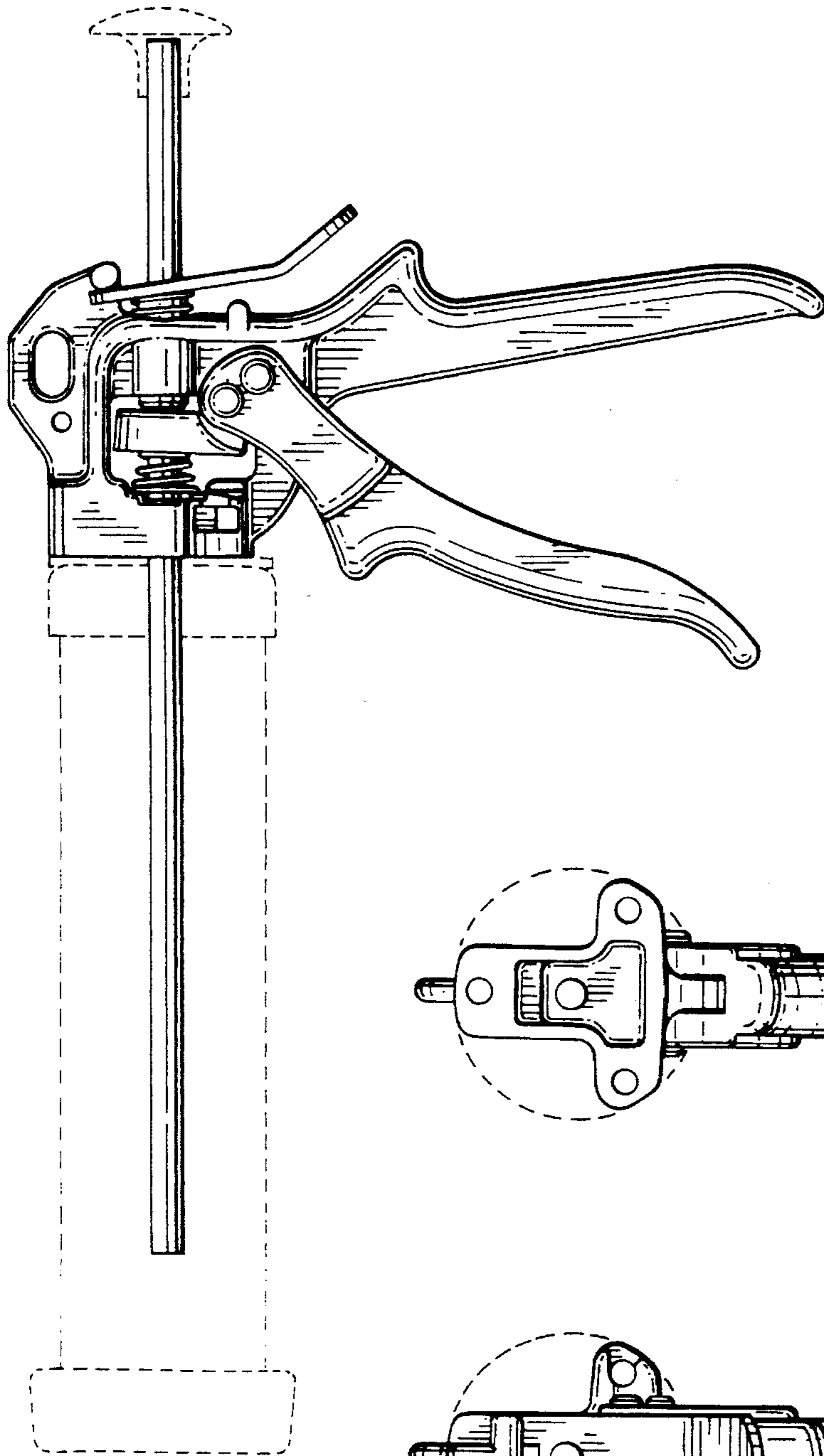


FIG. 3.

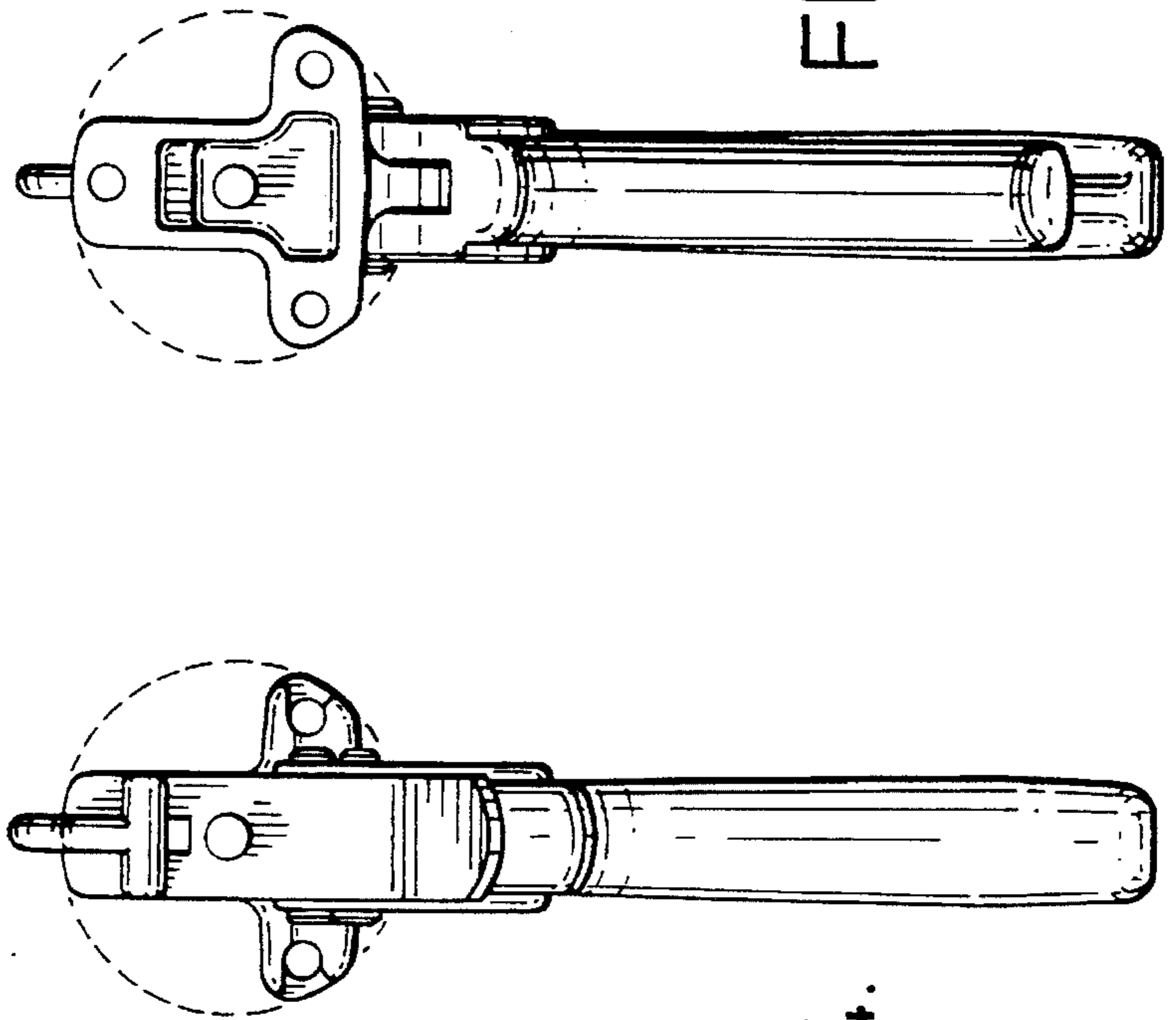


FIG. 4.

FIG. 5.