



US00D369283S

# United States Patent [19] Finlay

[11] Patent Number: **Des. 369,283**

[45] Date of Patent: **\*\*Apr. 30, 1996**

[54] **FOOD EXTRUDING GUN**

[75] Inventor: **Robert L. Finlay**, Emporia, Kans.

[73] Assignee: **BPE, Inc.**, Emporia, Kans.

[\*\*] Term: **14 Years**

[21] Appl. No.: **34,572**

[22] Filed: **Feb. 8, 1995**

[52] U.S. Cl. .... **D7/672**

[58] Field of Search ..... **D7/672; D8/14.1; 222/256, 257, 260, 325-327, 340, 372, 383.1, 391; 425/183, 190**

[56] **References Cited**

**U.S. PATENT DOCUMENTS**

2,115,591	4/1938	Sherbondy .....	222/327
2,927,543	3/1960	Sherbondy .....	D7/672 X
4,869,403	9/1989	Bizüning .....	222/327
5,137,184	8/1992	Jackson et al. ....	222/327
5,385,274	1/1995	Twyman .....	222/327

**OTHER PUBLICATIONS**

Good Housekeeping, Dec. 1980, p. 260, Cookie Press, 2nd from top.

*Primary Examiner*—Terry A. Wallace  
*Attorney, Agent, or Firm*—Hovey, Williams, Timmons & Collins

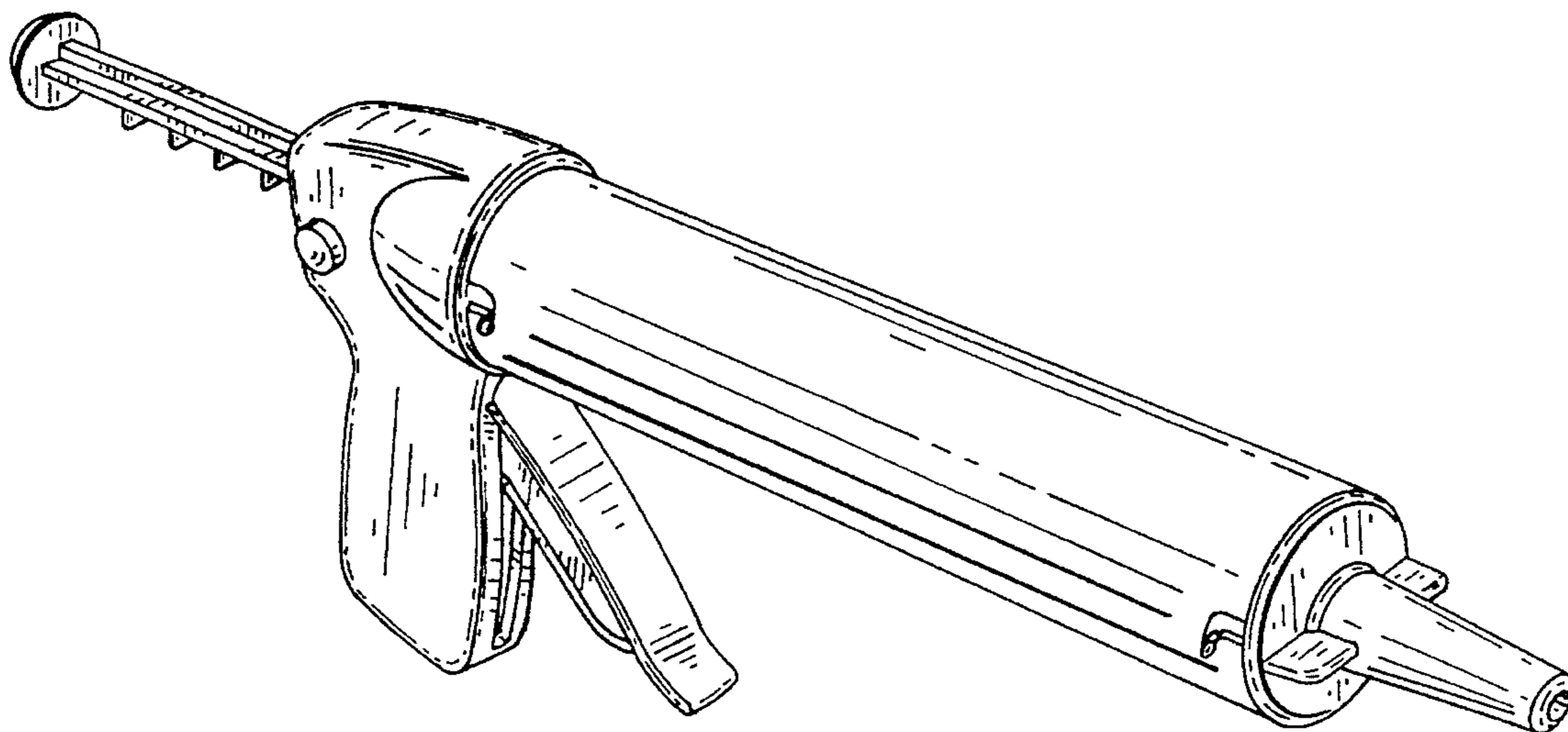
[57] **CLAIM**

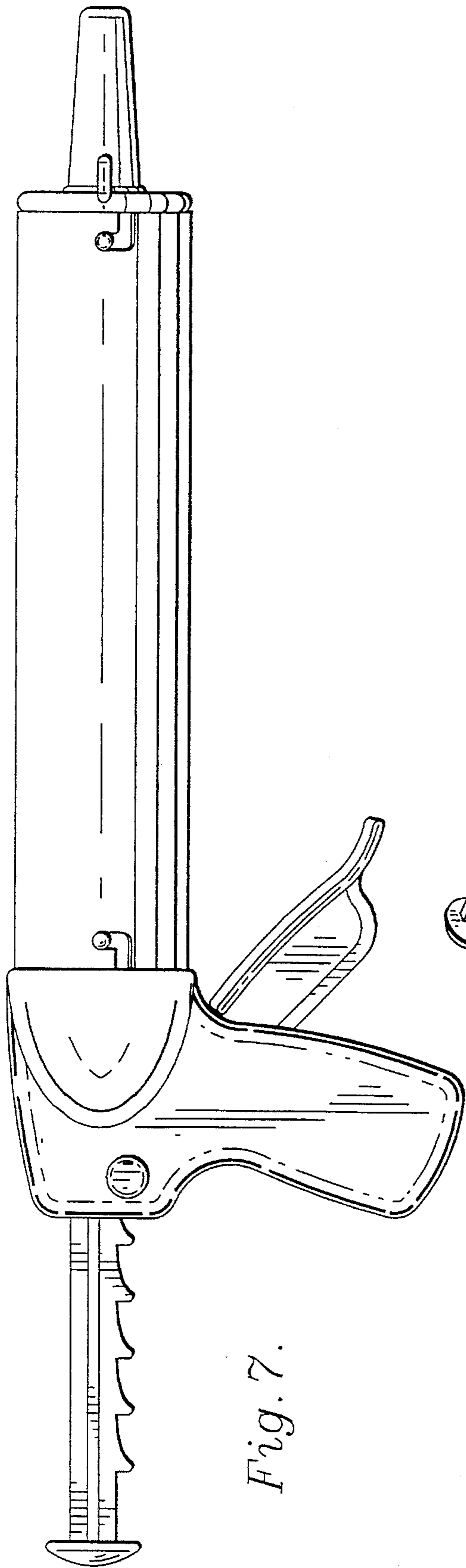
The ornamental design for a food extruding gun, as shown and described.

**DESCRIPTION**

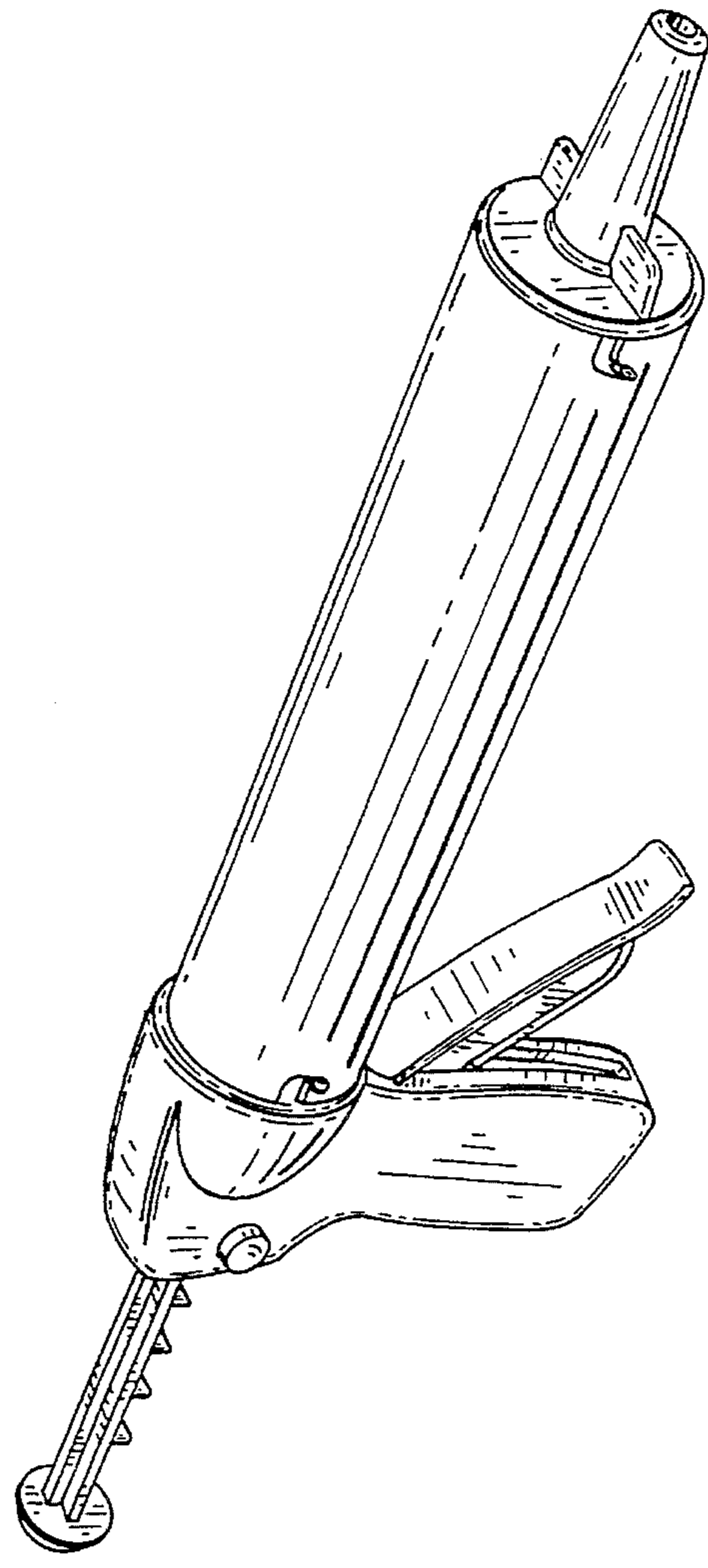
FIG. 1 is a perspective view of a food extruding gun showing my new design;  
FIG. 2 is a right side elevation view thereof;  
FIG. 3 is a top plan view thereof;  
FIG. 4 is a bottom plan view thereof;  
FIG. 5 is a front elevation view thereof;  
FIG. 6 is a rear elevation view thereof; and,  
FIG. 7 is a right side elevation view thereof.

**1 Claim, 2 Drawing Sheets**

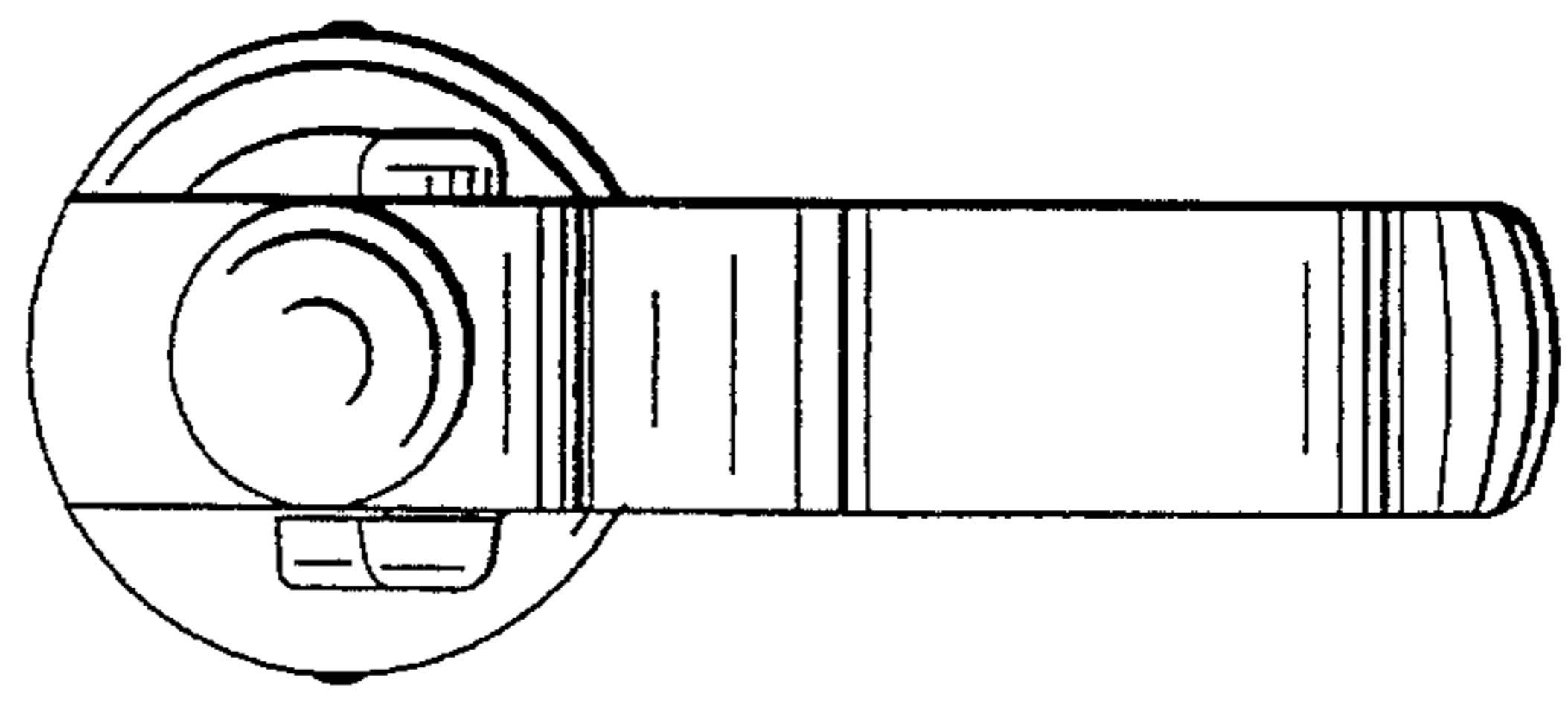




*Fig. 7.*

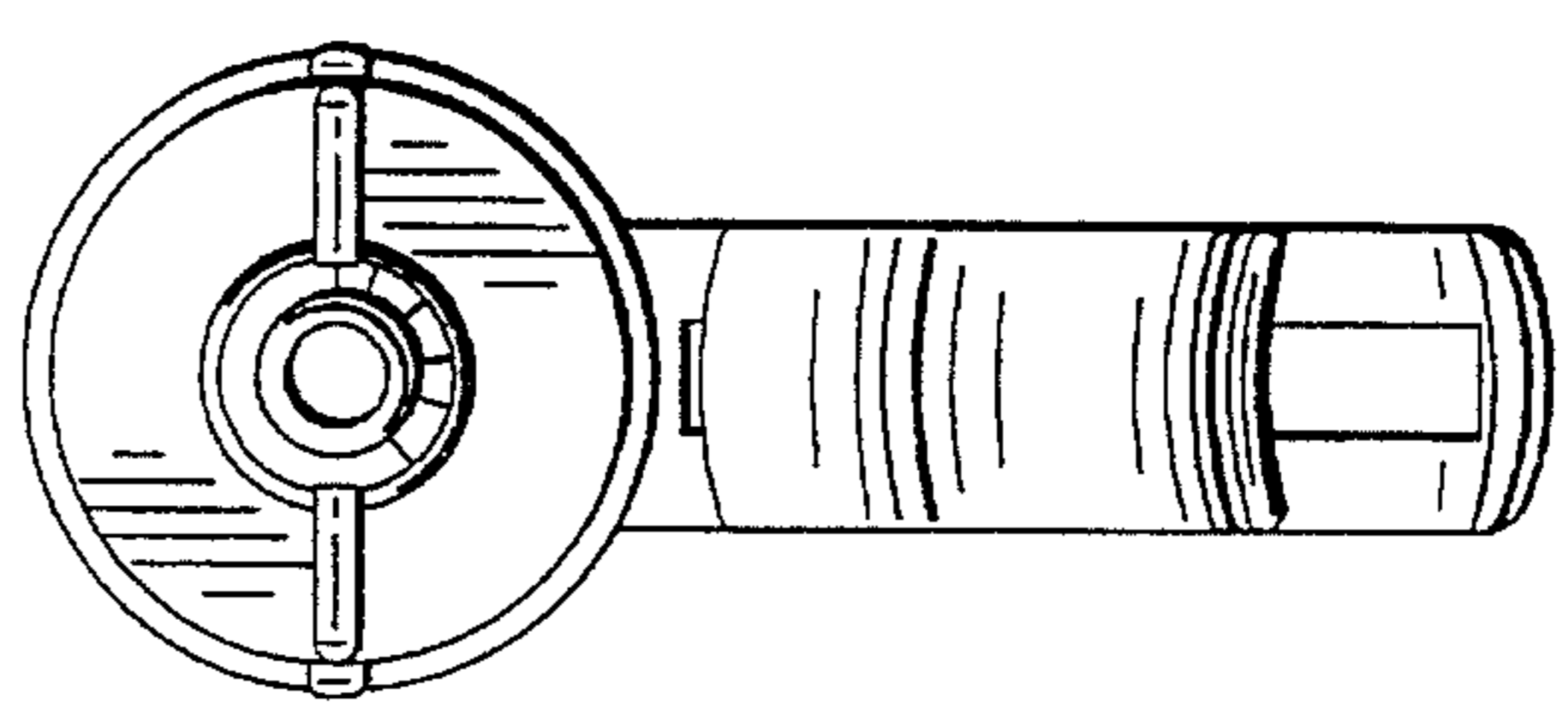


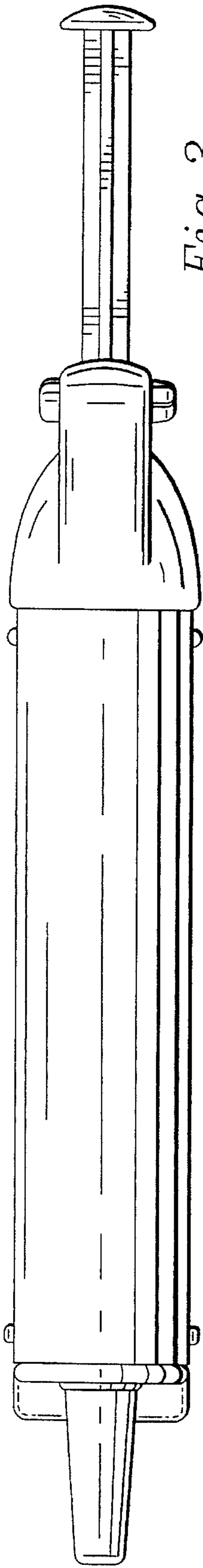
*Fig. 1.*



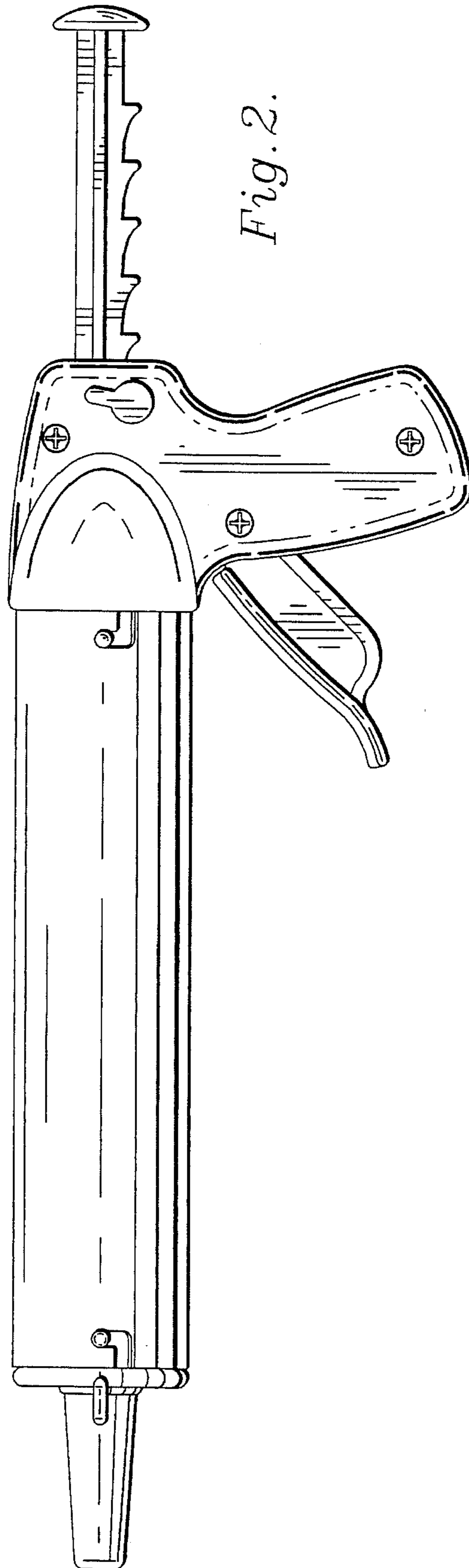
*Fig. 6.*

*Fig. 5.*

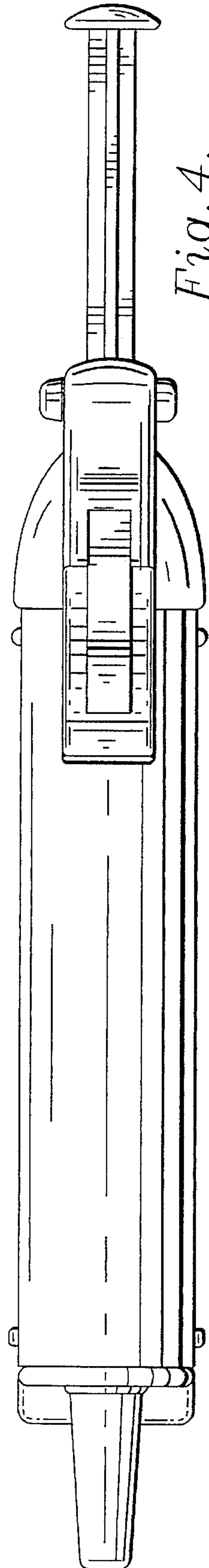




*Fig. 3.*



*Fig. 2.*



*Fig. 4.*