



US00D369279S

**United States Patent** [19]  
**Rothschild, III**

[11] **Patent Number: Des. 369,279**

[45] **Date of Patent: \*\*Apr. 30, 1996**

[54] **CRUET SET**

[76] **Inventor: Robert B. Rothschild, III**, 3143 E.  
Rte. 36, Urbana, Ohio 43078

[\*\*] **Term: 14 Years**

[21] **Appl. No.: 30,636**

[22] **Filed: Nov. 4, 1994**

[52] **U.S. Cl.** ..... **D7/598**; D9/341; D9/524;  
D9/534

[58] **Field of Search** ..... D7/300, 312, 318,  
D7/319, 598; D9/341, 524, 534; 211/71,  
74; 215/6, 10

[56] **References Cited**

**U.S. PATENT DOCUMENTS**

- D. 192,875 5/1962 Barrett ..... D7/319
- D. 200,977 4/1965 Baum ..... D9/515
- D. 204,702 5/1966 Nixon ..... D9/534

- D. 233,584 11/1974 Salviato ..... D7/598 X
- D. 257,582 12/1980 Hayes ..... D9/534
- D. 333,263 2/1993 Markuzov ..... D9/341

*Primary Examiner*—Terry A. Wallace  
*Attorney, Agent, or Firm*—Cushman, Darby & Cushman

[57] **CLAIM**

The ornamental design for a cruet set, as shown and described.

**DESCRIPTION**

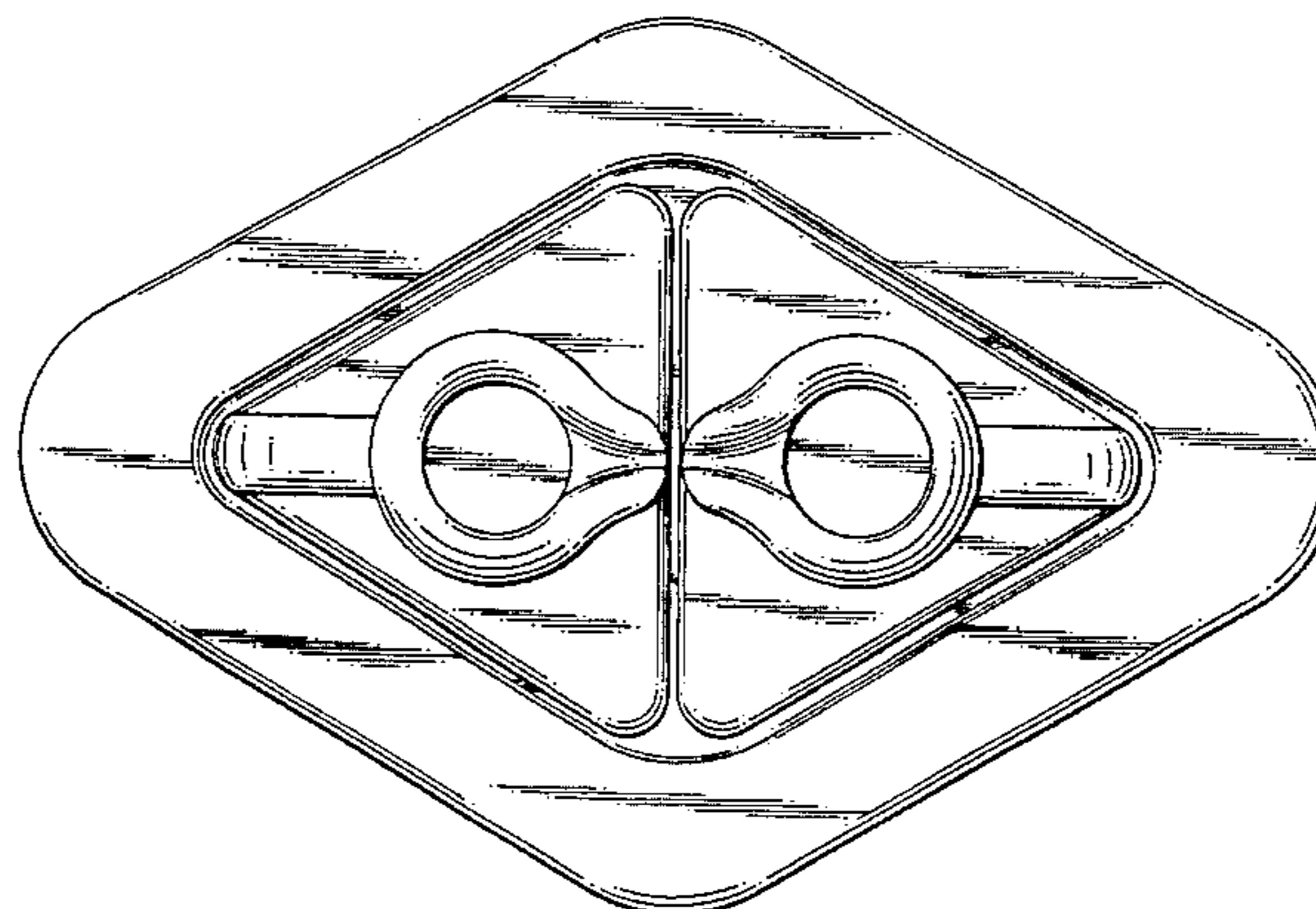
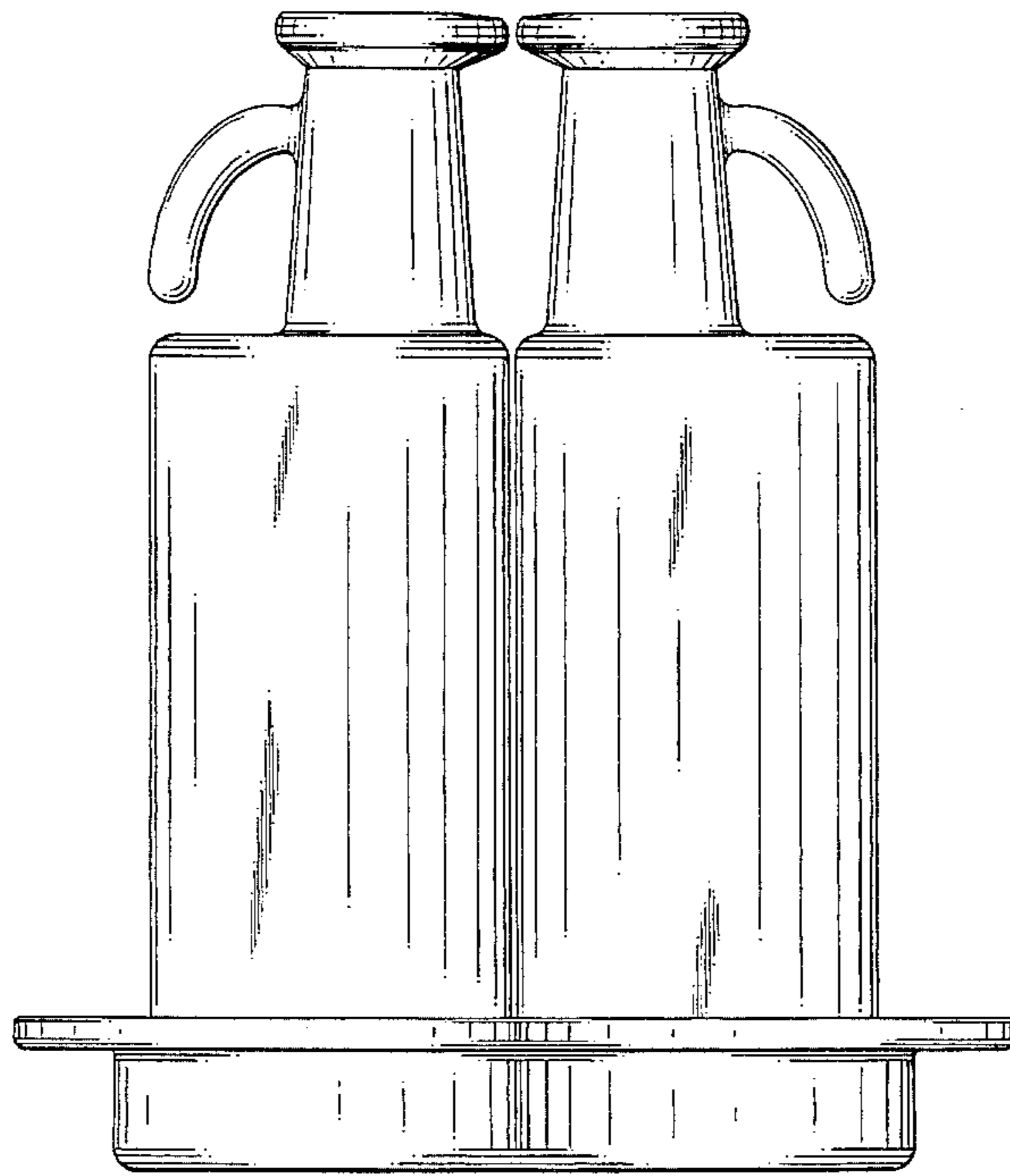
FIG. 1 is a front elevational view of a cruet set showing my new design, the rear elevational view being a mirror image thereof;

FIG. 2 is a left end elevational view thereof, the right end elevational view being a mirror image thereof;

FIG. 3 is a top plan view thereof; and,

FIG. 4 is a bottom plan view thereof.

**1 Claim, 3 Drawing Sheets**



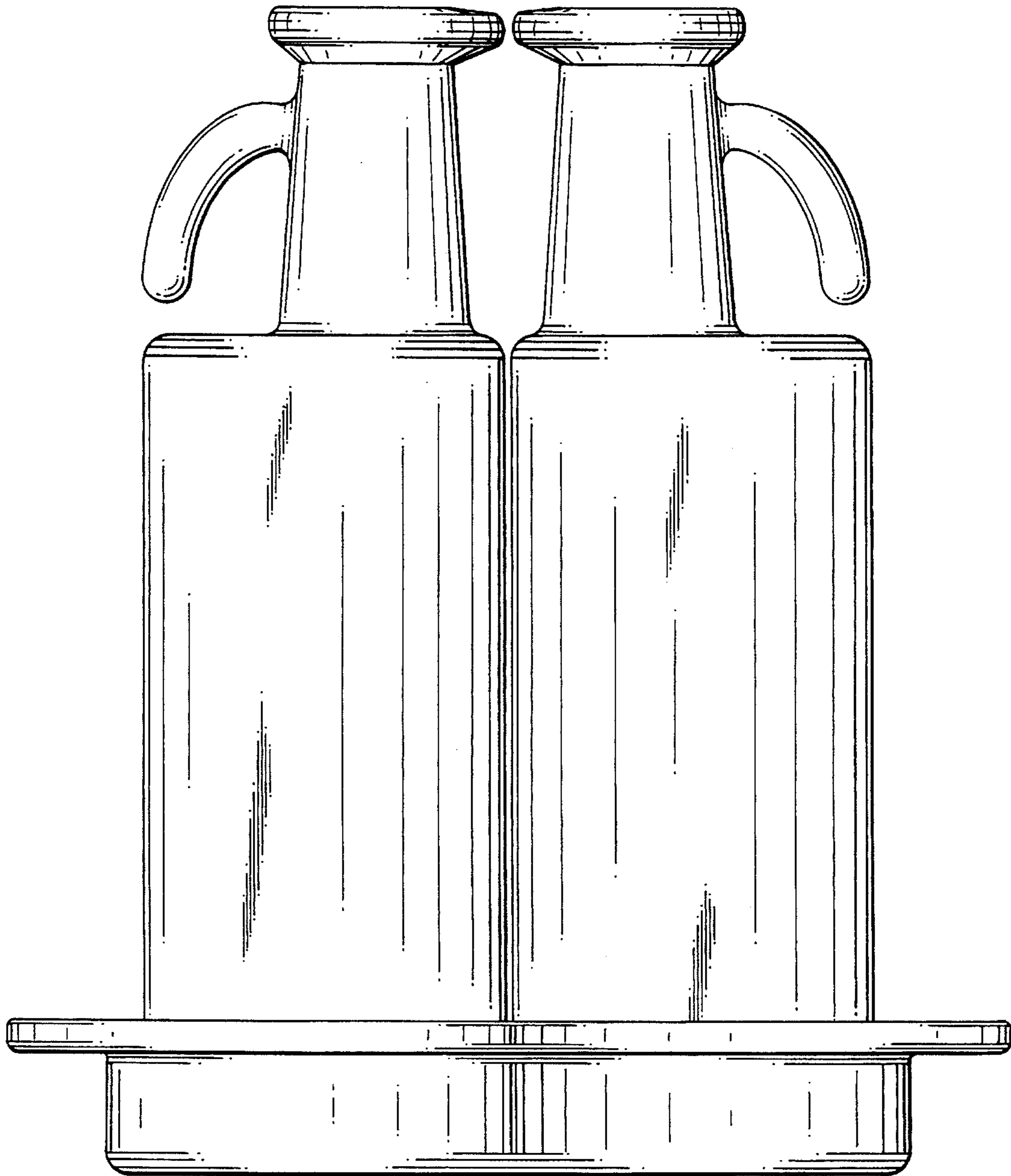


FIG. 1

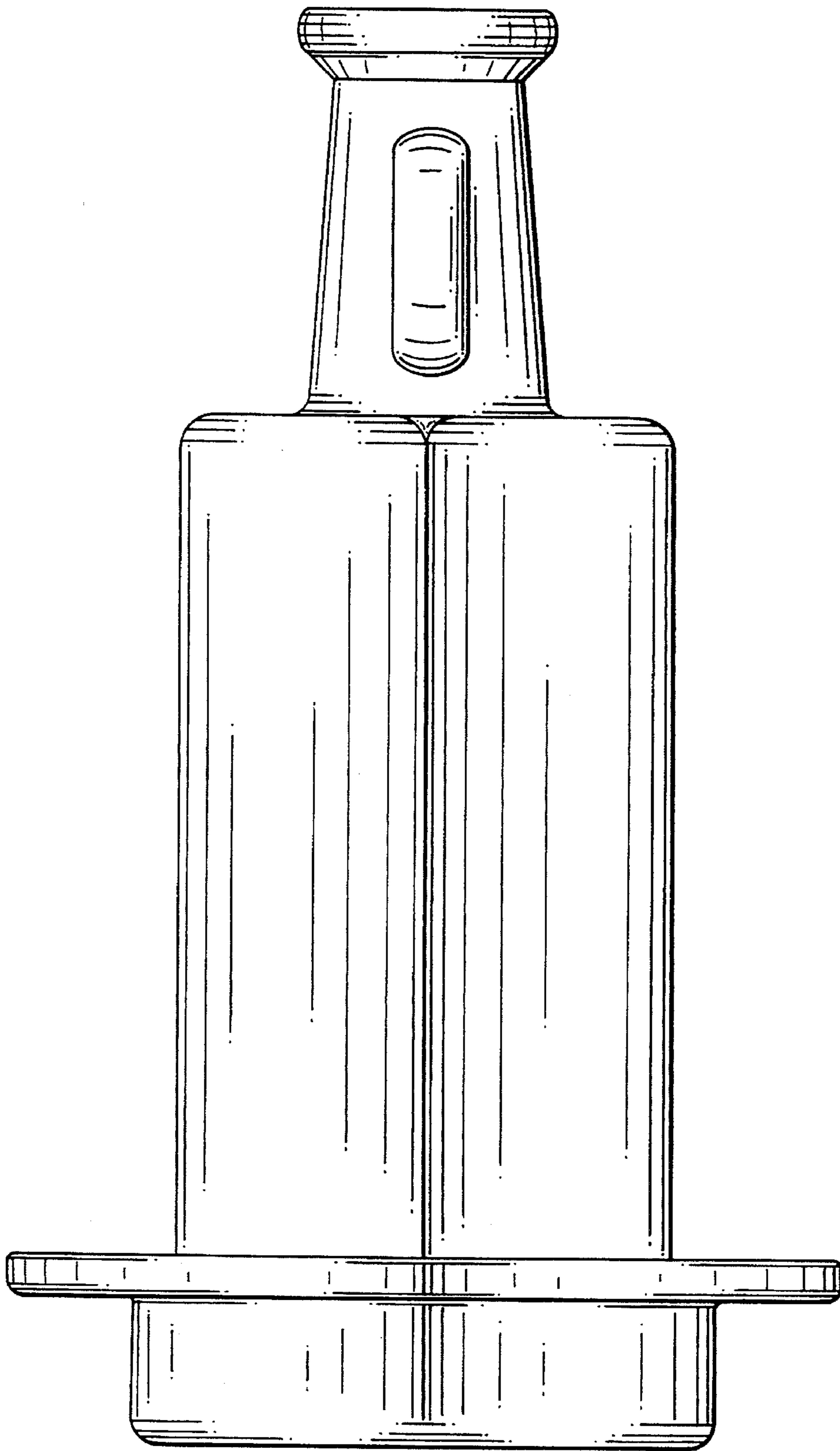


FIG. 2

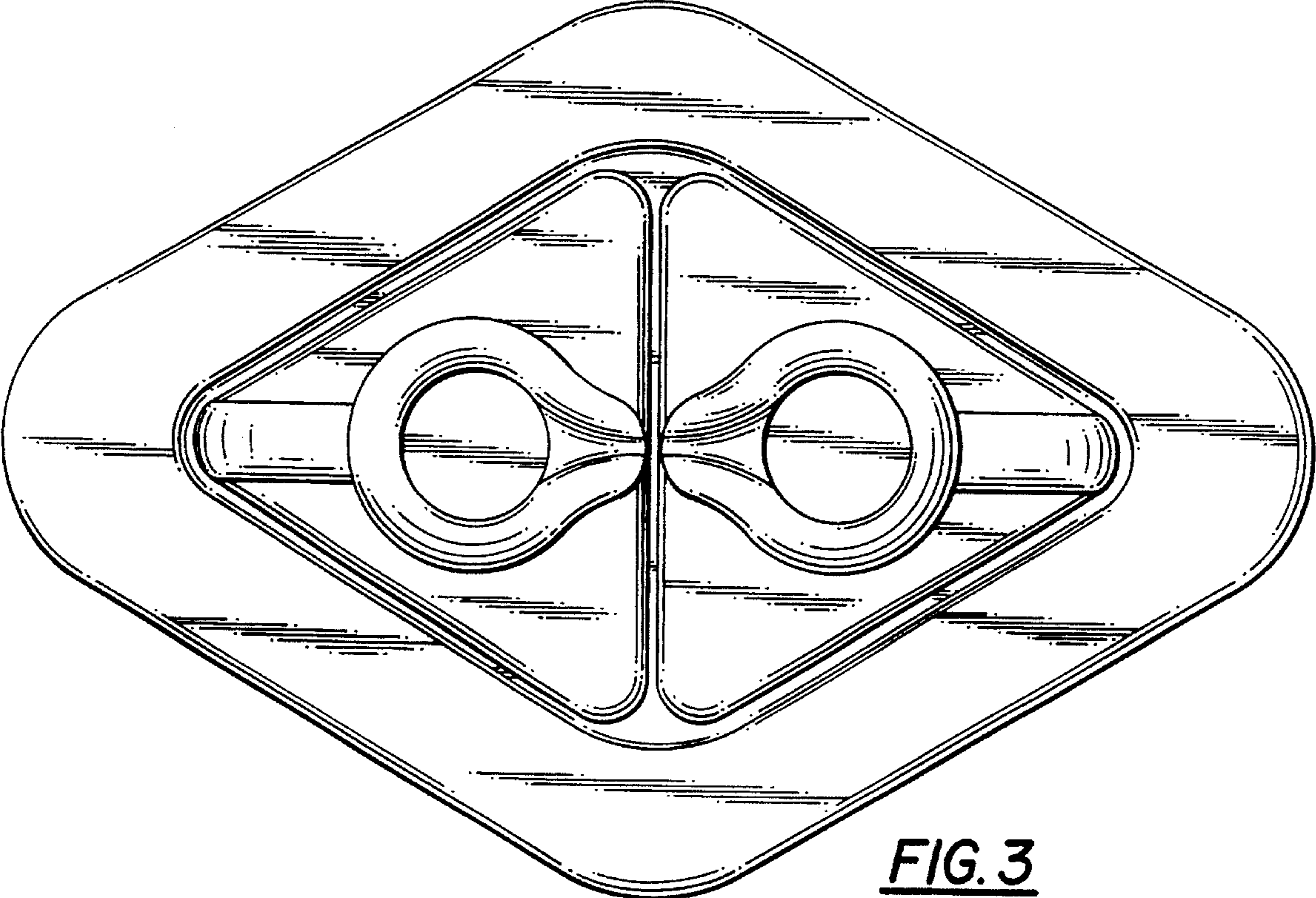


FIG. 3

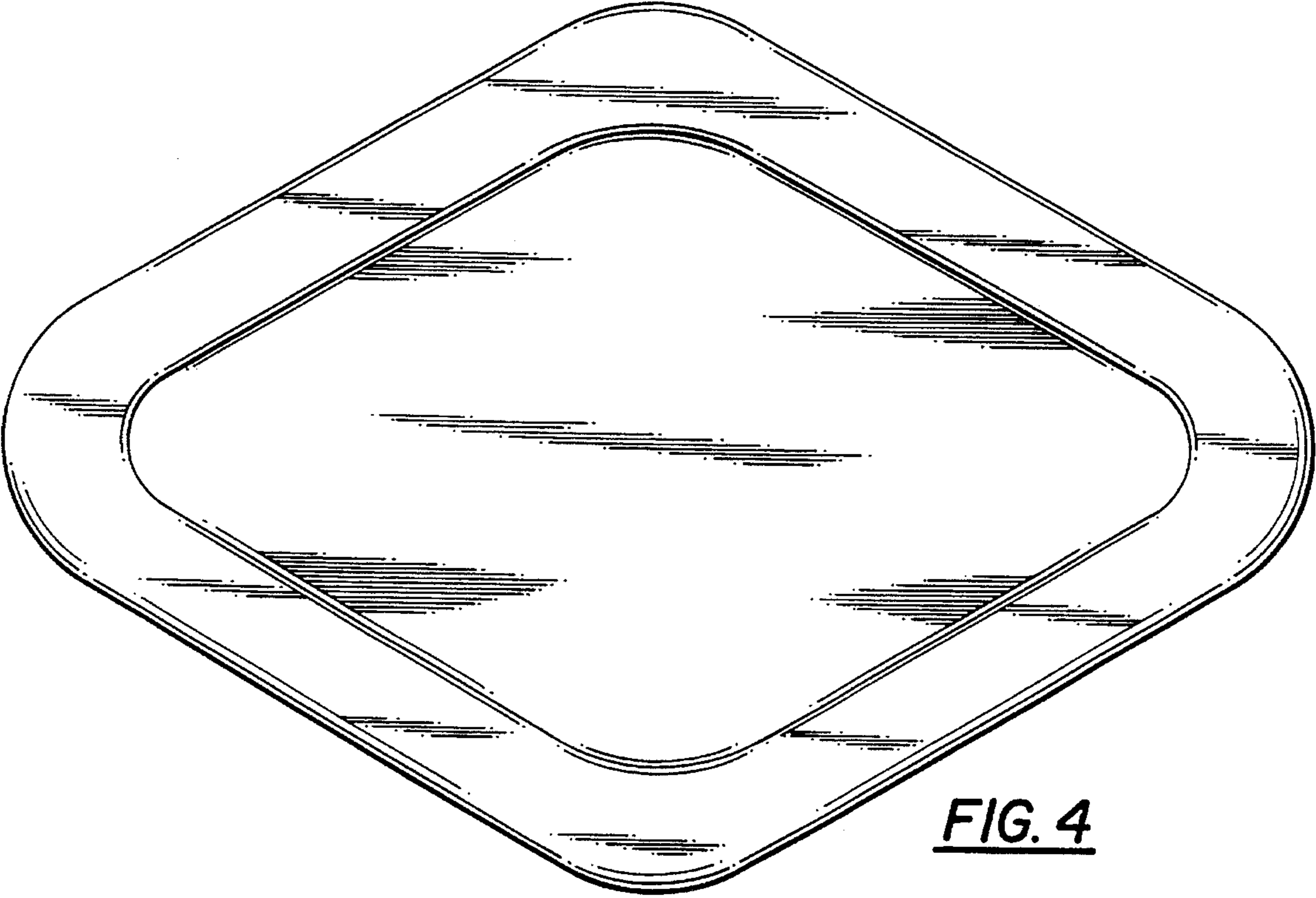


FIG. 4