



US00D369278S

United States Patent [19]

[11] Patent Number: **Des. 369,278**

Scialpi et al.

[45] Date of Patent: ****Apr. 30, 1996**

[54] **BOWL**

D. 170,715 10/1953 Pusecker D7/579

[76] Inventors: **Daniel A. Scialpi**, 1209 E. 98th St., Brooklyn, N.Y. 11236; **Tony J. Caggiano**, 51 Laurel Ave., East Islip, N.Y. 11730

Primary Examiner—Dominic Simone

[**] Term: **14 Years**

[57] CLAIM

The ornamental design for a bowl, as shown and described.

[21] Appl. No.: **26,037**

DESCRIPTION

[22] Filed: **Jul. 18, 1994**

FIG. 1 is a front elevational view of the bowl showing our new design;

[52] U.S. Cl. **D7/579**; D7/628; D11/160

FIG. 2 is a rear elevational view thereof;

[58] Field of Search D7/500, 571, 579, D7/628; D11/157, 160; 220/574, 574.1, 575

FIG. 3 is a left side elevational view thereof;

FIG. 4 is a right side elevational view thereof;

FIG. 5 is a top plan view thereof; and,

FIG. 6 is a bottom plan view thereof.

[56] References Cited

U.S. PATENT DOCUMENTS

D. 141,599 6/1945 Abrams D7/579

1 Claim, 3 Drawing Sheets

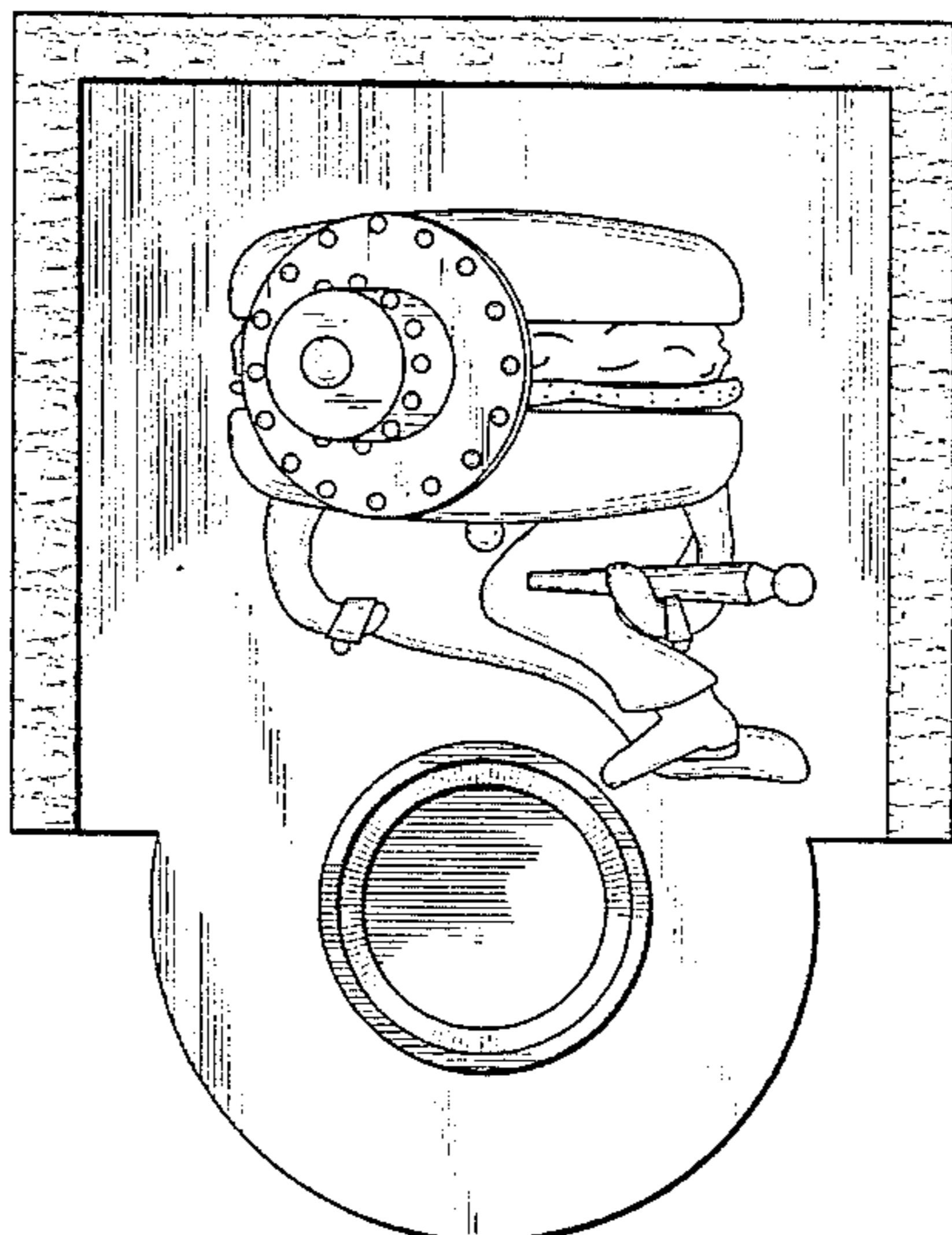
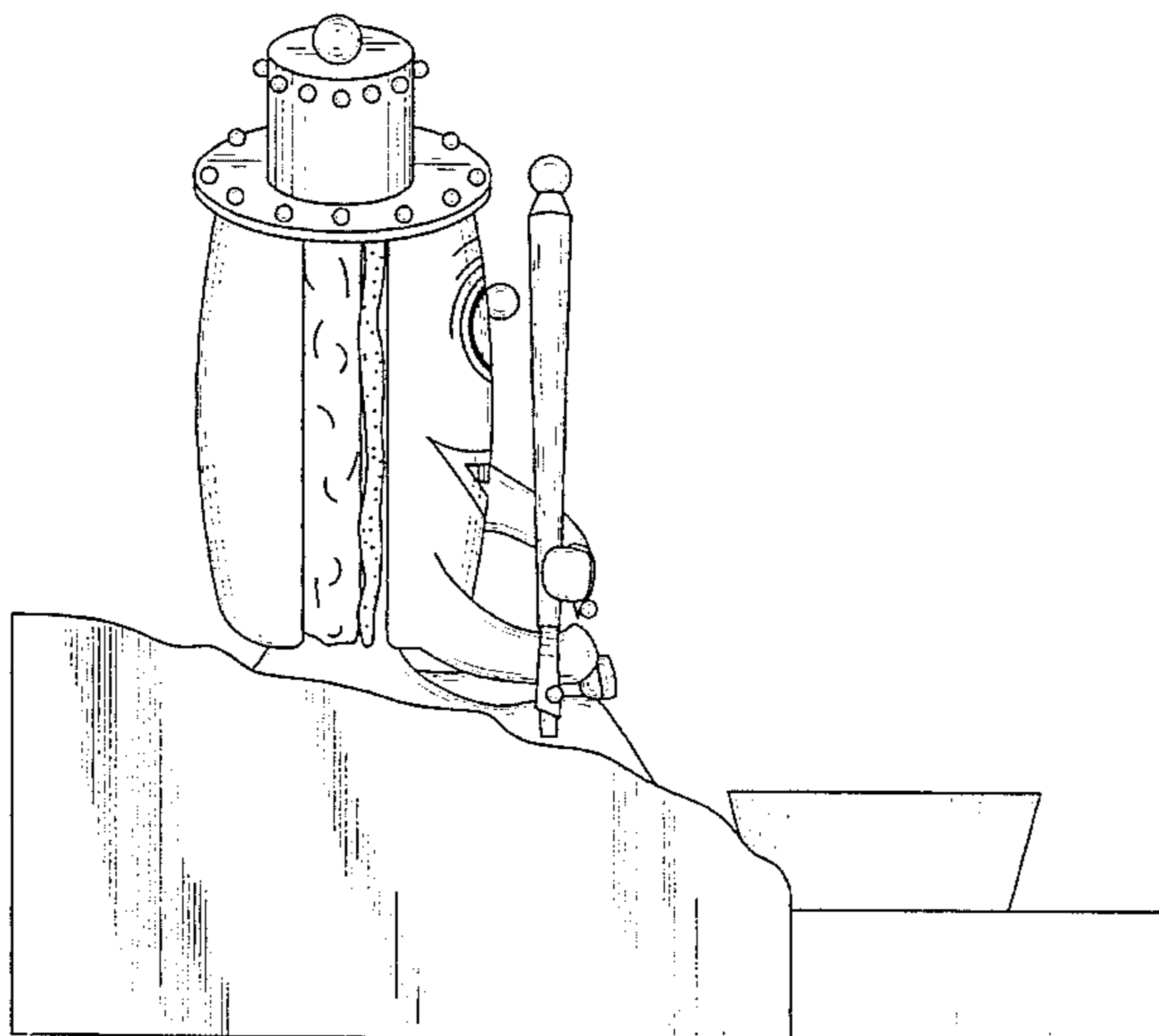
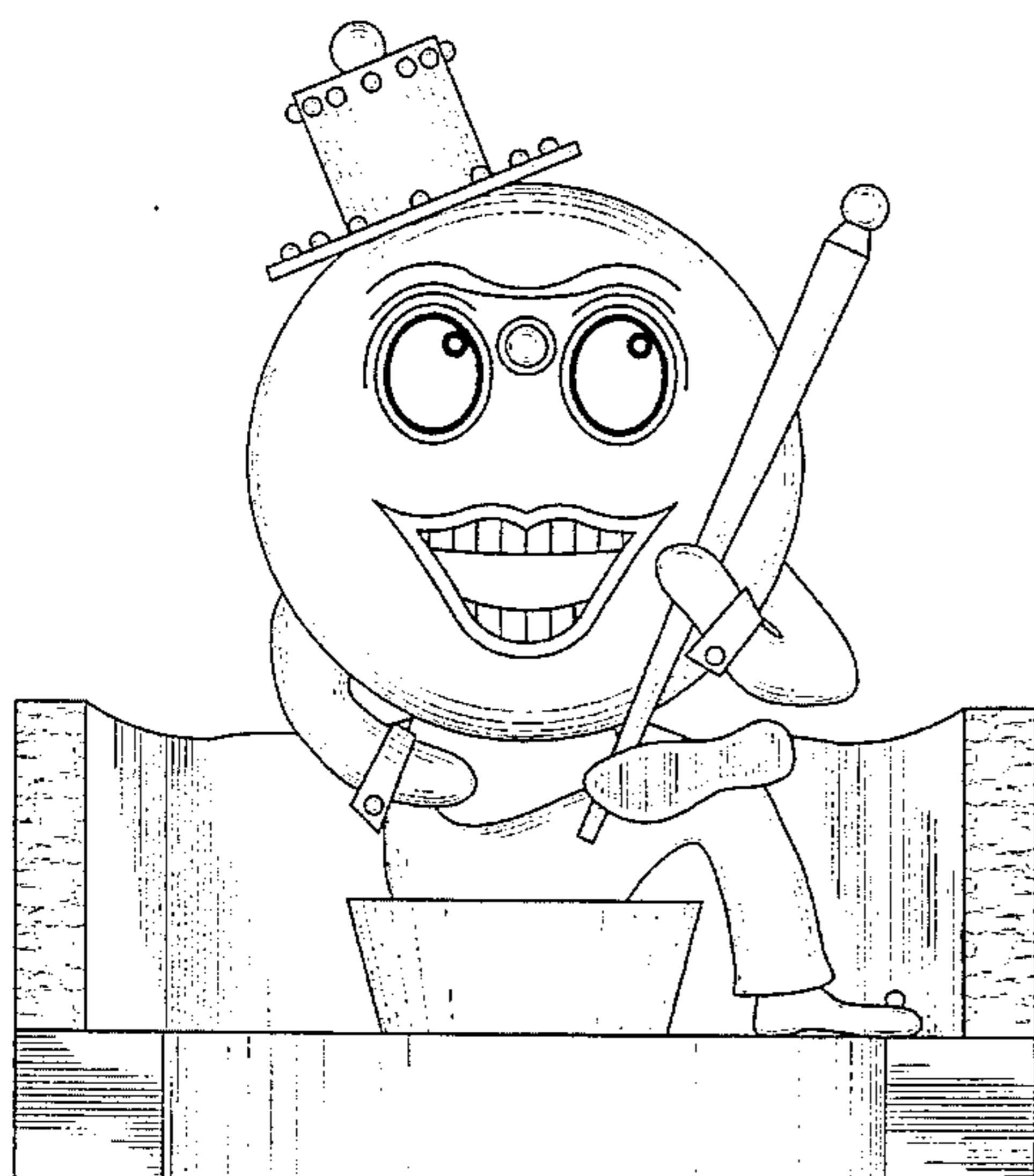


FIG. 1

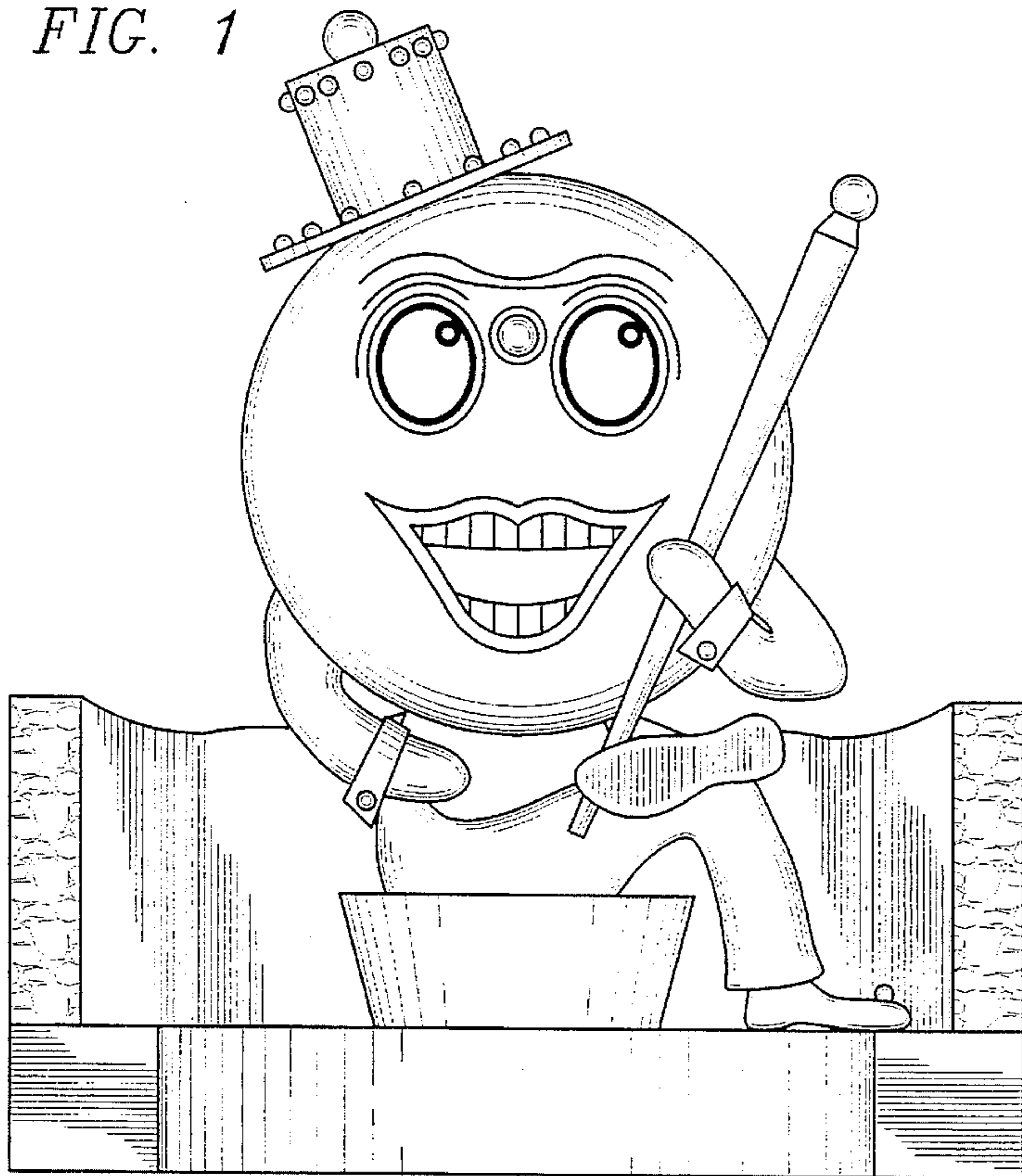


FIG. 2

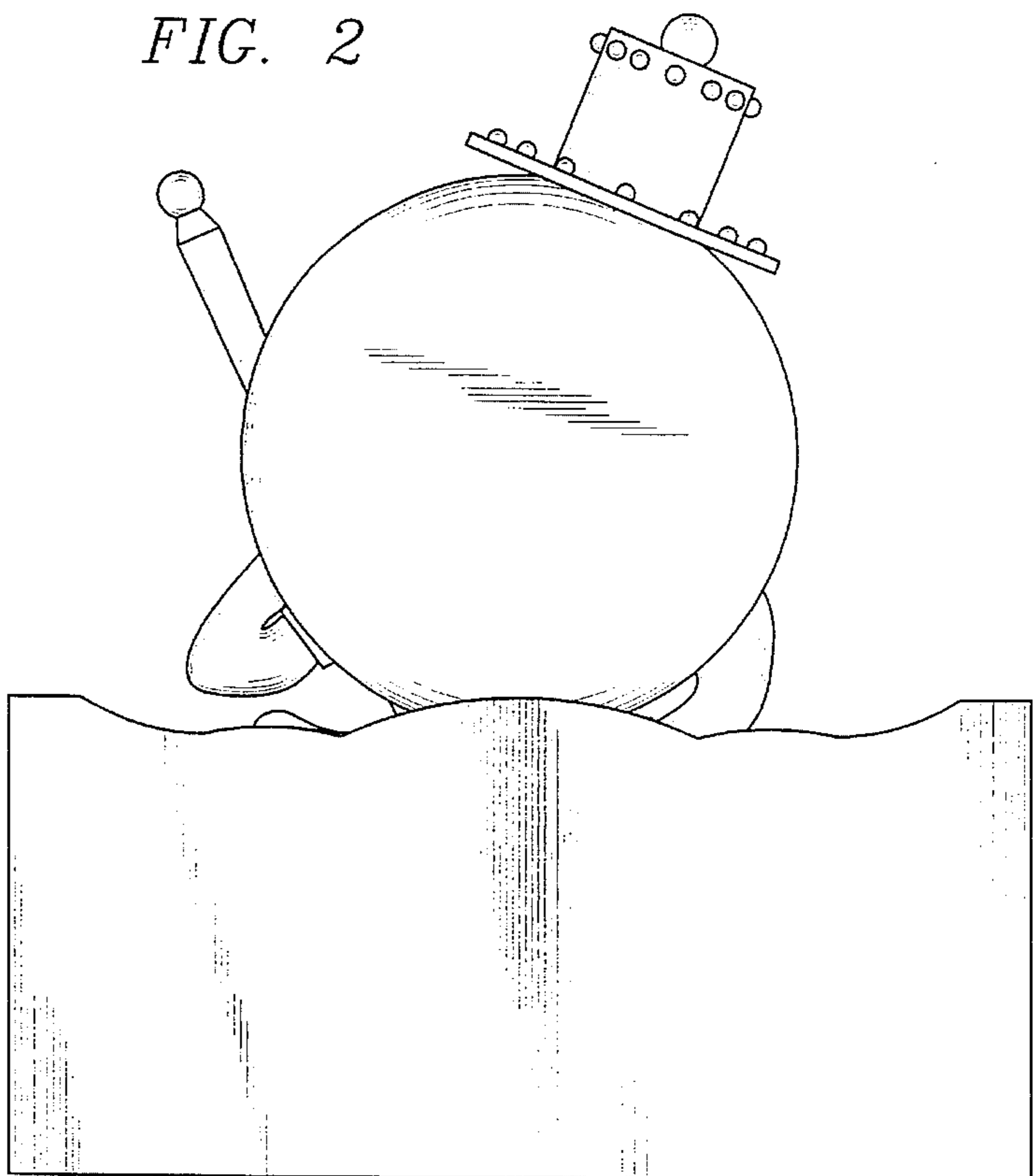


FIG. 3

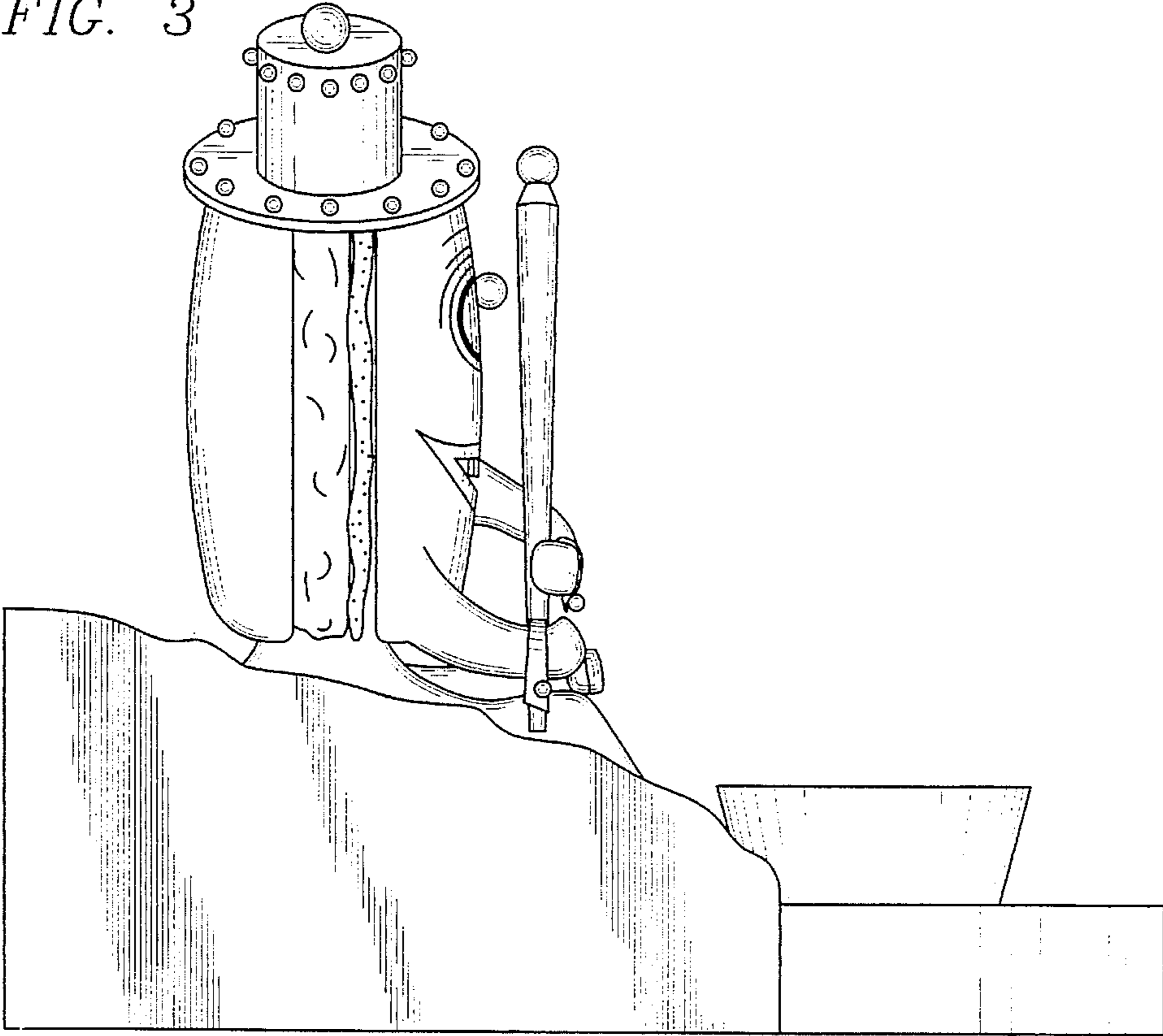


FIG. 4

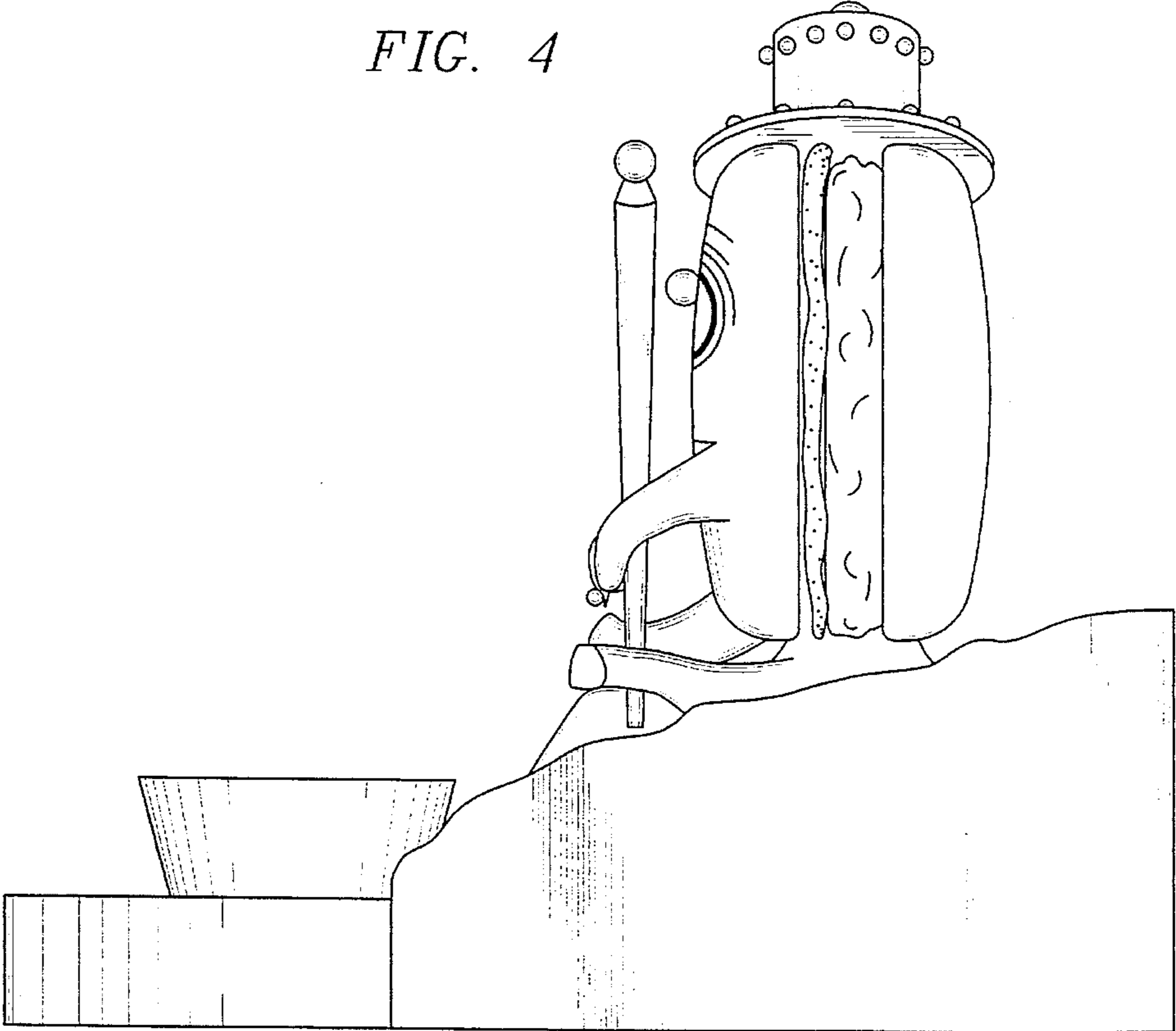


FIG. 5

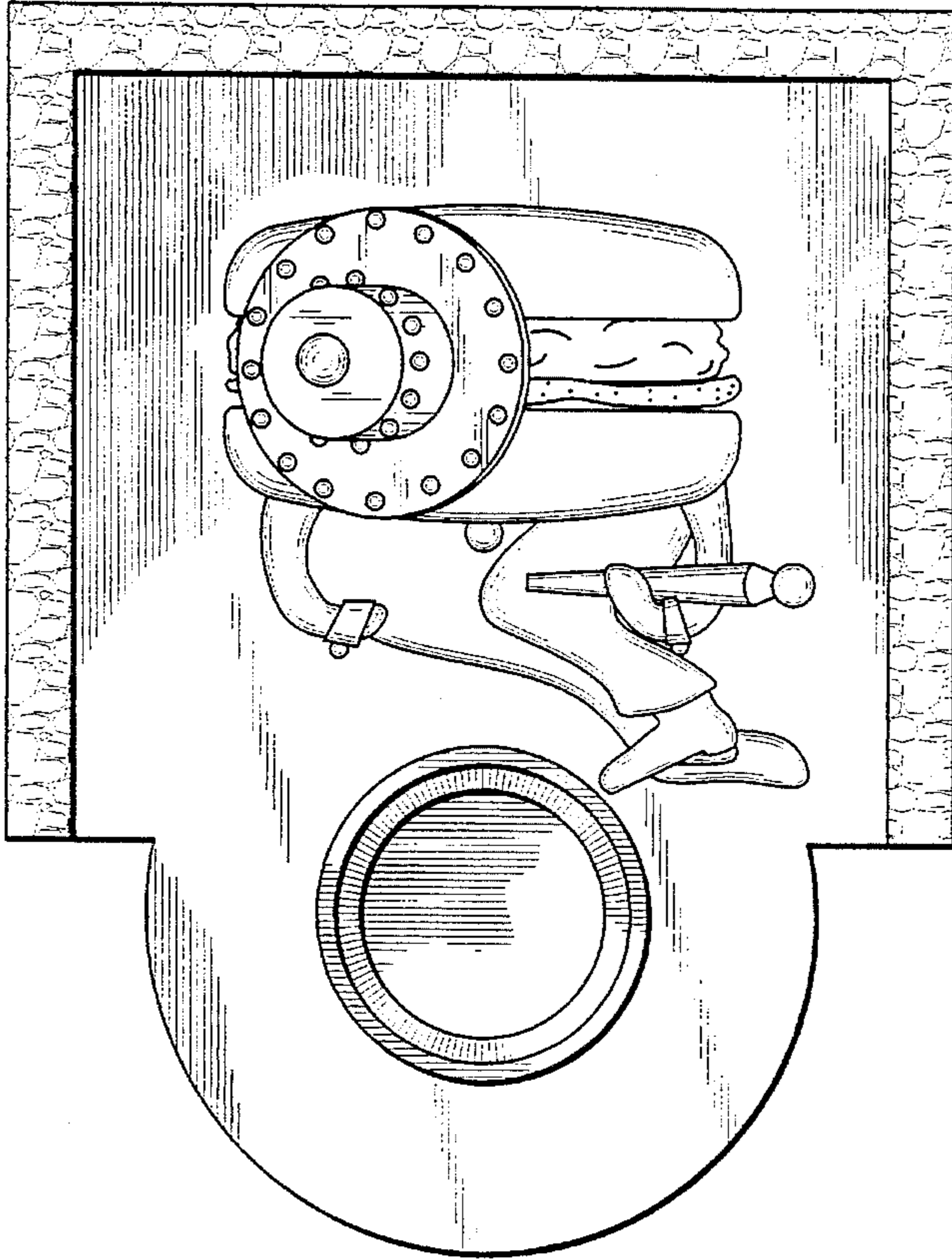


FIG. 6

