



US00D369274S

**United States Patent** [19]

[11] **Patent Number: Des. 369,274**

**Dornbush et al.**

[45] **Date of Patent: \*\*Apr. 30, 1996**

[54] **EXTENSION RING FOR A CONVECTION OVEN**

[75] Inventors: **David A. Dornbush**, Prior Lake; **Chad S. Erickson**, Plymouth; **Jeffrey E. Sandahl**, Burnsville; **Neal P. Barnes**, Maple Grove; **James B. Easley**; **Richard C. Jackson**, both of Minneapolis; **Andrew L. Von Duyke**, Greenwood; **Kevin B. Moore**, Chaska, all of Minn.

[73] Assignee: **American Harvest, Inc.**, Chaska, Minn.

[\*\*] Term: **14 Years**

[21] Appl. No.: **7,682**

[22] Filed: **Apr. 27, 1993**

|           |         |                      |        |
|-----------|---------|----------------------|--------|
| 4,132,216 | 9/1979  | Guibert .            |        |
| 4,210,072 | 7/1980  | Pedrini .            |        |
| 4,226,178 | 10/1980 | Geissler et al. .    |        |
| 4,295,034 | 10/1981 | Assmann .            |        |
| 4,350,874 | 9/1982  | Nishikawa .          |        |
| 4,509,412 | 4/1985  | Whittenburg et al. . |        |
| 4,591,698 | 5/1986  | Chang .              |        |
| 4,817,509 | 4/1989  | Erickson .           |        |
| 4,818,550 | 4/1989  | Davidson .           |        |
| 5,165,328 | 11/1992 | Erickson et al. .... | D7/350 |

**FOREIGN PATENT DOCUMENTS**

|          |         |                  |  |
|----------|---------|------------------|--|
| 934357   | 5/1948  | France .         |  |
| 2409736  | 6/1979  | France .         |  |
| 2412835  | 9/1975  | Germany .        |  |
| 90-11260 | 12/1990 | Rep. of Korea .  |  |
| 643129   | 5/1984  | Switzerland .    |  |
| 63403    | 12/1984 | Taiwan .         |  |
| 117976   | 1/1989  | Taiwan .         |  |
| 23335    | 2/1990  | Taiwan .         |  |
| 2007515  | 5/1979  | United Kingdom . |  |

**Related U.S. Application Data**

[63] Continuation-in-part of Ser. No. 6,661, Apr. 13, 1993, Pat. No. Des. 357,383, which is a continuation-in-part of Ser. No. 6,031, Mar. 31, 1993, Pat. No. Des. 355,564.

[52] **U.S. Cl.** ..... **D7/402**

[58] **Field of Search** ..... D7/348-351; 99/330, 99/340, 341, 447, 467-468, 473-474; 219/400, 391

**References Cited**

**U.S. PATENT DOCUMENTS**

|            |         |                      |        |
|------------|---------|----------------------|--------|
| D. 268,472 | 4/1983  | Nishikawa .....      | D7/348 |
| D. 293,539 | 1/1988  | Nishikawa .          |        |
| D. 321,109 | 10/1991 | Erickson et al. .... | D7/350 |
| D. 321,110 | 10/1991 | Worrell et al. ....  | D7/350 |
| D. 328,687 | 8/1992  | Dornbush et al. .... | D7/350 |
| D. 329,163 | 9/1992  | Chang .....          | D7/348 |
| D. 334,864 | 4/1993  | Chang .....          | D7/350 |
| 1,986,088  | 1/1935  | Wild .               |        |
| 2,523,796  | 9/1950  | Weeks .....          | 219/35 |
| 3,529,556  | 9/1970  | Barnes .             |        |

*Primary Examiner*—Ruth McInroy  
*Attorney, Agent, or Firm*—Merchant, Gould, Smith, Edell, Welter & Schmidt

[57] **CLAIM**

The ornamental design for a extension ring for a convection oven, as shown and described.

**DESCRIPTION**

FIG. 1 is a perspective view of an extension ring for a convection oven showing our new design, the convection oven shown in broken lines is for illustrative purposes only and forms no part of the claimed design; FIG. 2 is a front elevational view thereof; FIG. 3 is a rear elevational view thereof; FIG. 4 is a right side elevational view thereof; FIG. 5 is a left side elevational view thereof; FIG. 6 is a top plan view thereof; and, FIG. 7 is a bottom plan view thereof.

**1 Claim, 5 Drawing Sheets**

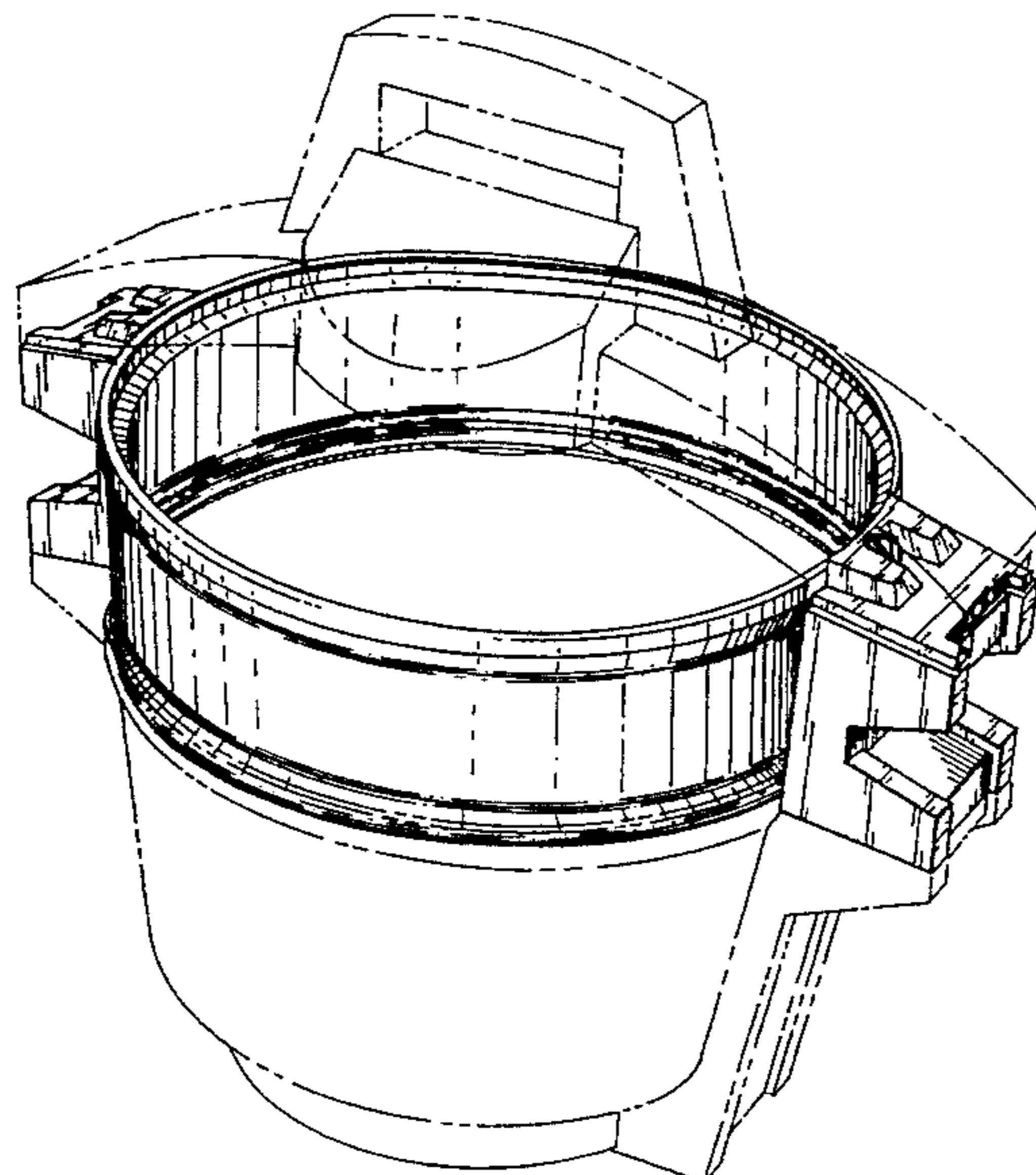


FIG. 1

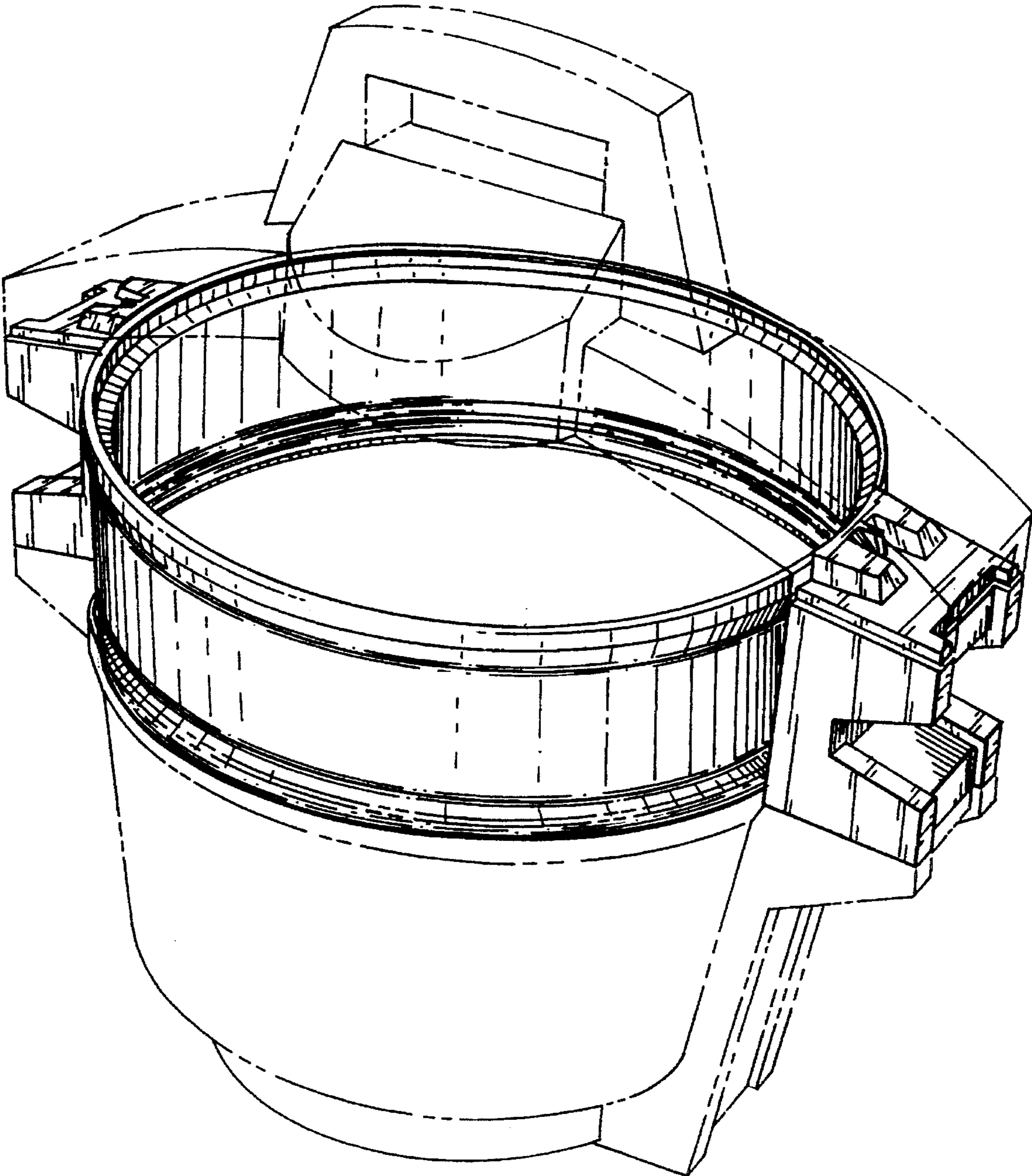


FIG. 2

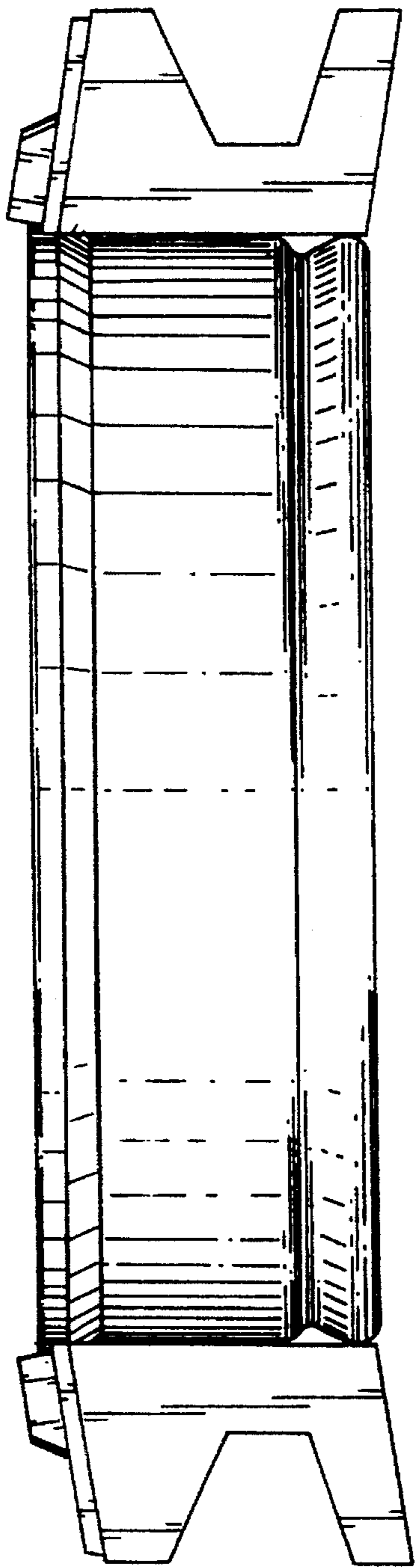


FIG. 4

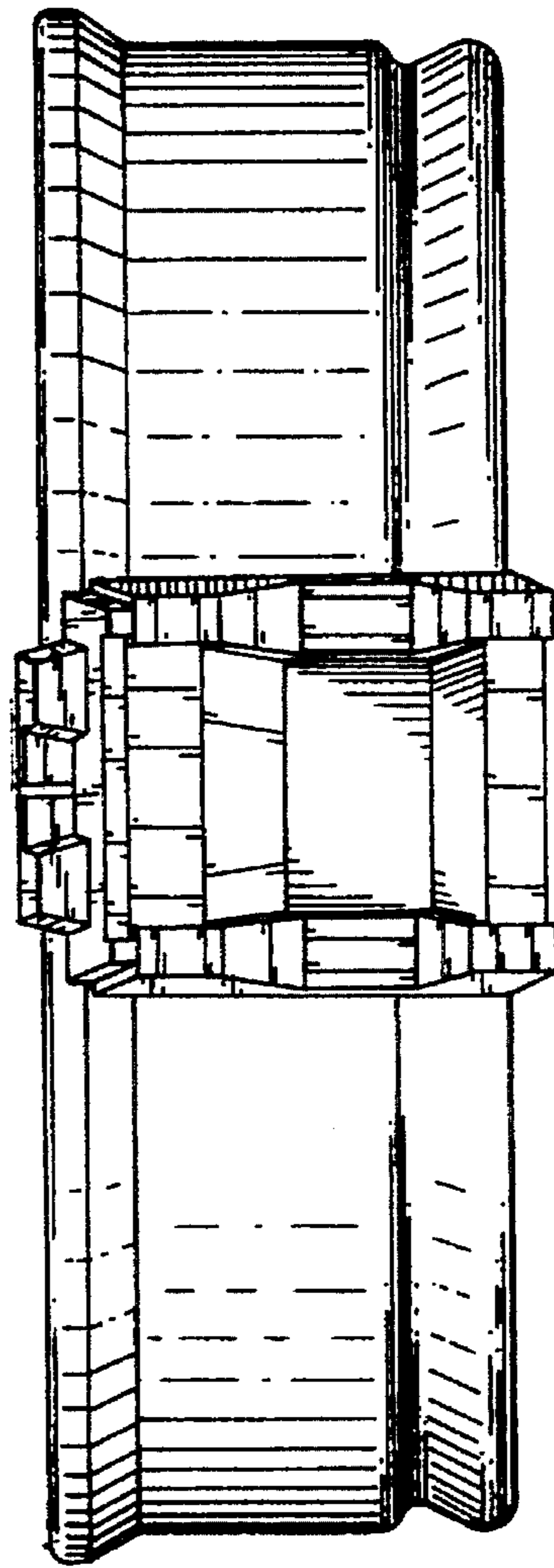


FIG. 3

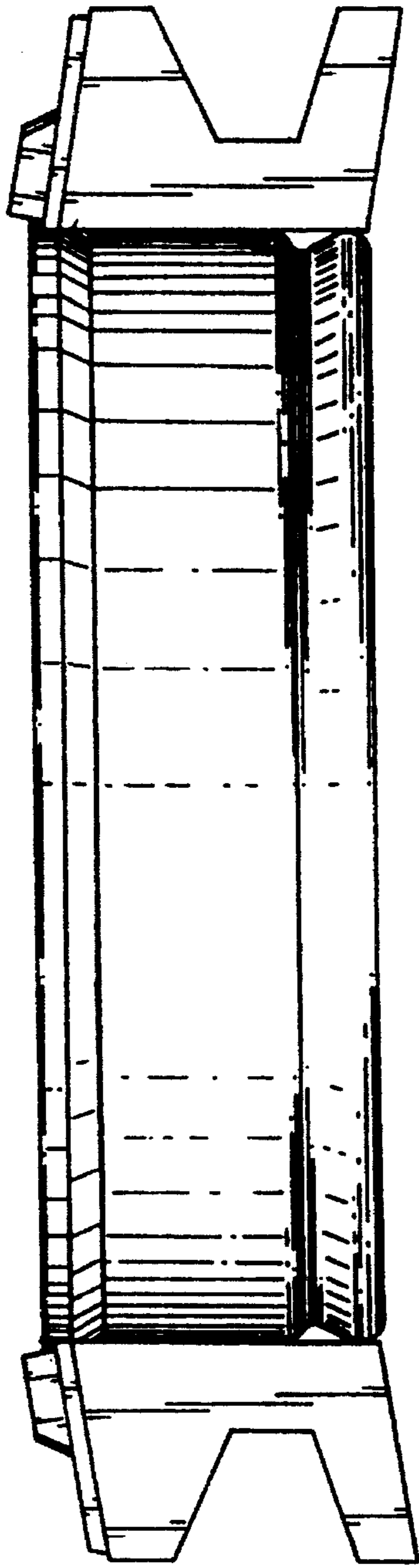
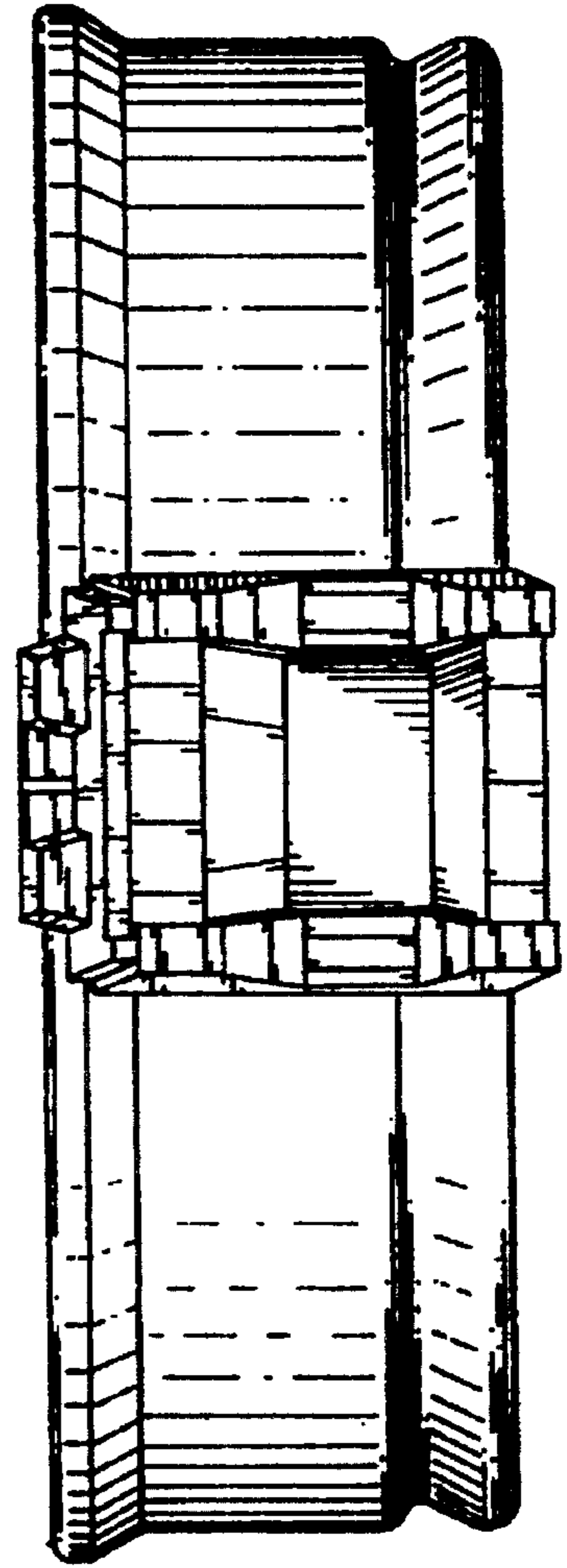


FIG. 5



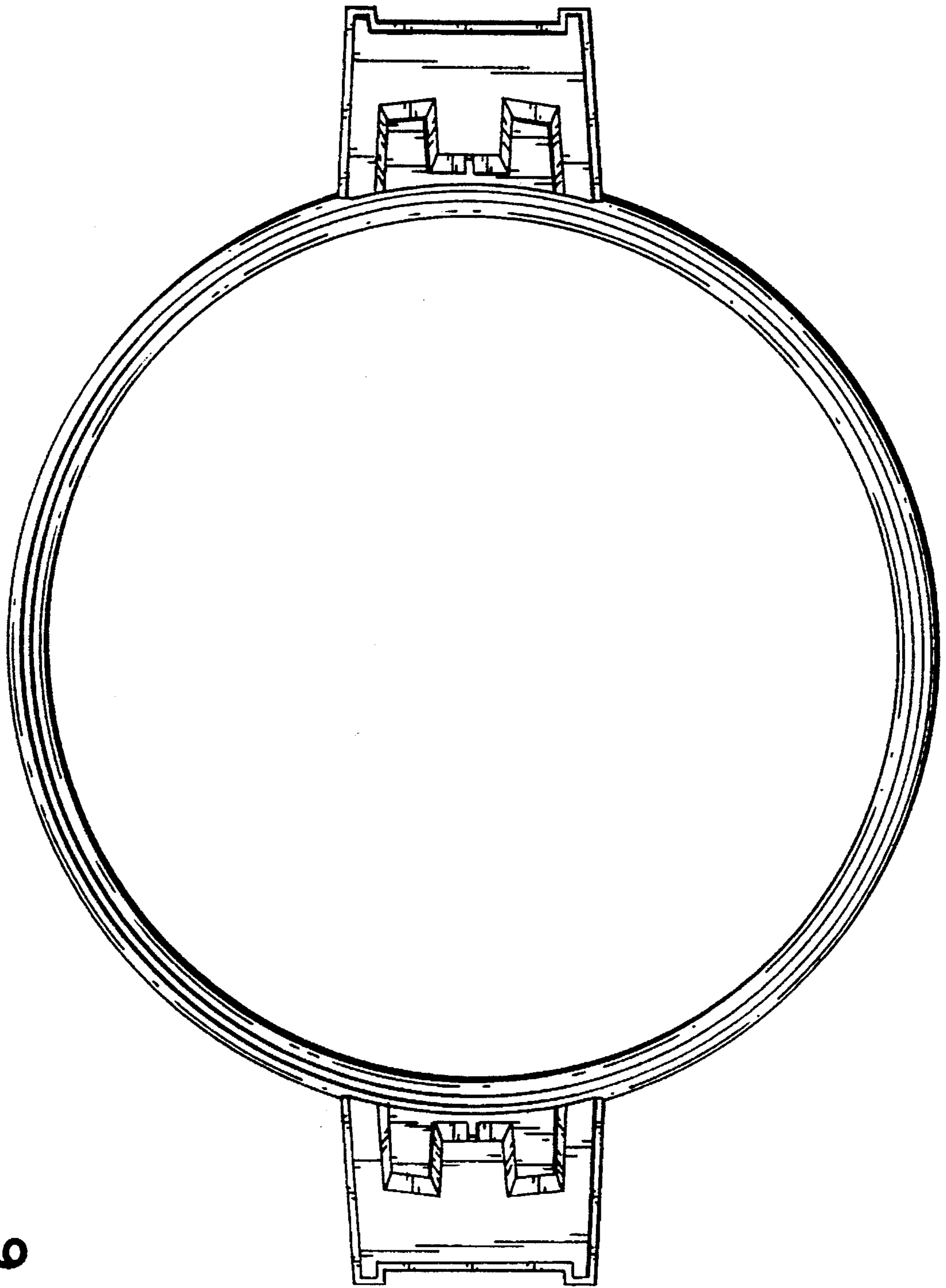


FIG. 6

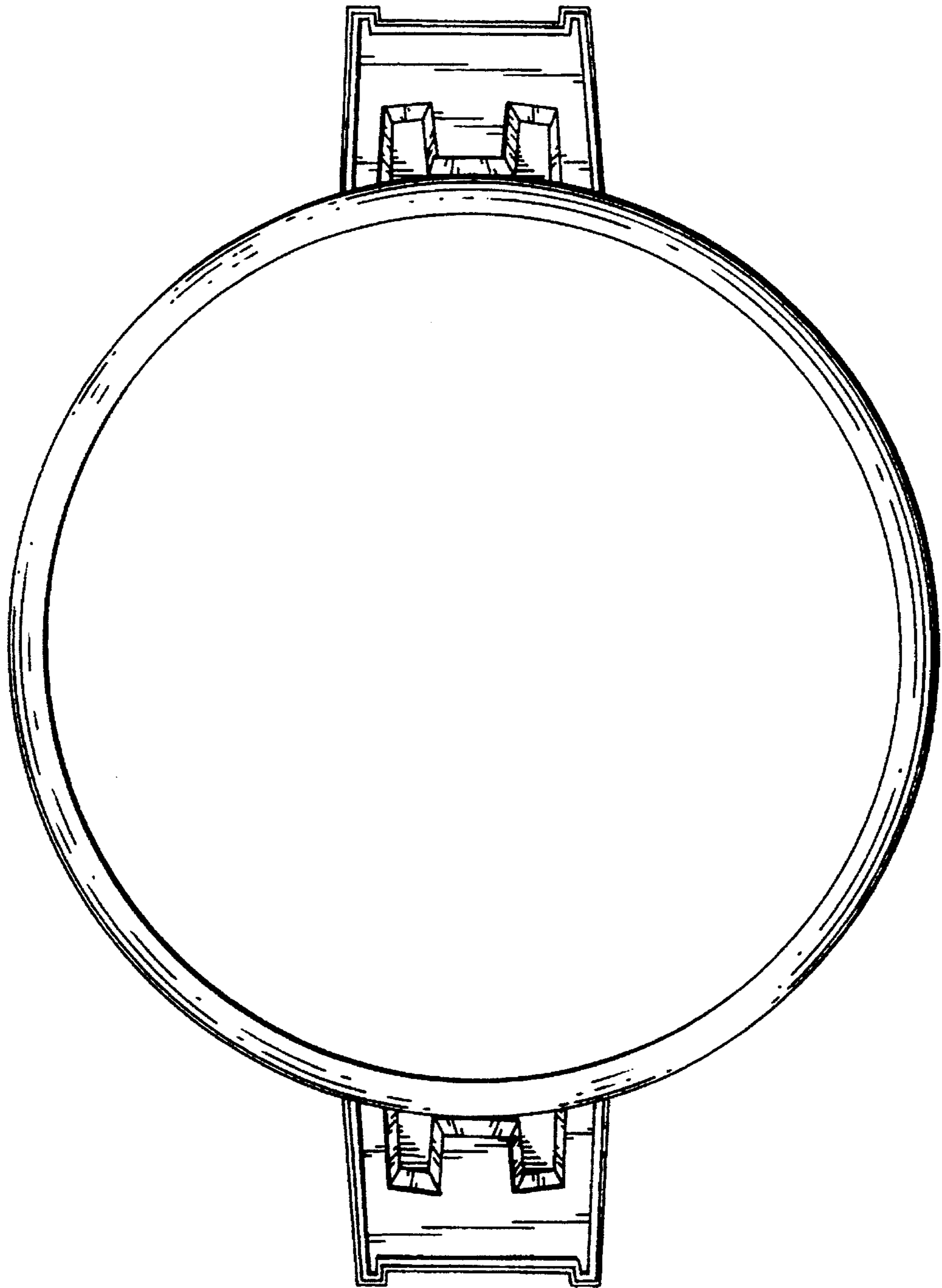


FIG. 7