



US00D369272S

United States Patent [19]

[11] Patent Number: **Des. 369,272**

Mendelson et al.

[45] Date of Patent: ****Apr. 30, 1996**

[54] SKILLET

OTHER PUBLICATIONS

[75] Inventors: **Lewis A. Mendelson**, Overland Park, Kans.; **Donald L. Avise**, Lake Lotawana, Mo.

1987 Delco catalog; p. 135; Items #6, #7, #8 & #9.
1991/1992 Best Jewelry and General Merchandise catalog; p. 225; Items#22 #26.

[73] Assignee: **Dazey Corporation**, New Century, Kans.

1992/1993 Service Merchandise catalog; p. 272; Items #1-#6.

[**] Term: **14 Years**

Presto flyer; Date more than one year before filing date.

[21] Appl. No.: **33,184**

Primary Examiner—Alan P. Douglas

Assistant Examiner—Caron D. Veynar

Attorney, Agent, or Firm—Litman, McMahon and Brown

[22] Filed: **Jan. 6, 1995**

[57] CLAIM

[52] U.S. Cl. **D7/360**

The ornamental design for a skillet, as shown and described.

[58] Field of Search D7/352, 354, 356, D7/360; 99/324, 325, 339, 345, 425, 426, 445; 126/373, 390; 220/912

DESCRIPTION

[56] References Cited

U.S. PATENT DOCUMENTS

D. 195,268	5/1963	Reed et al.	D7/360
D. 206,389	12/1966	Ernest	D7/360
D. 253,930	1/1980	Zinkgraf et al.	D7/360
D. 268,471	4/1983	Gremontprez	D7/352 X

FIG. 1 is a perspective view of a skillet showing our new design;

FIG. 2 is a rear view thereof;

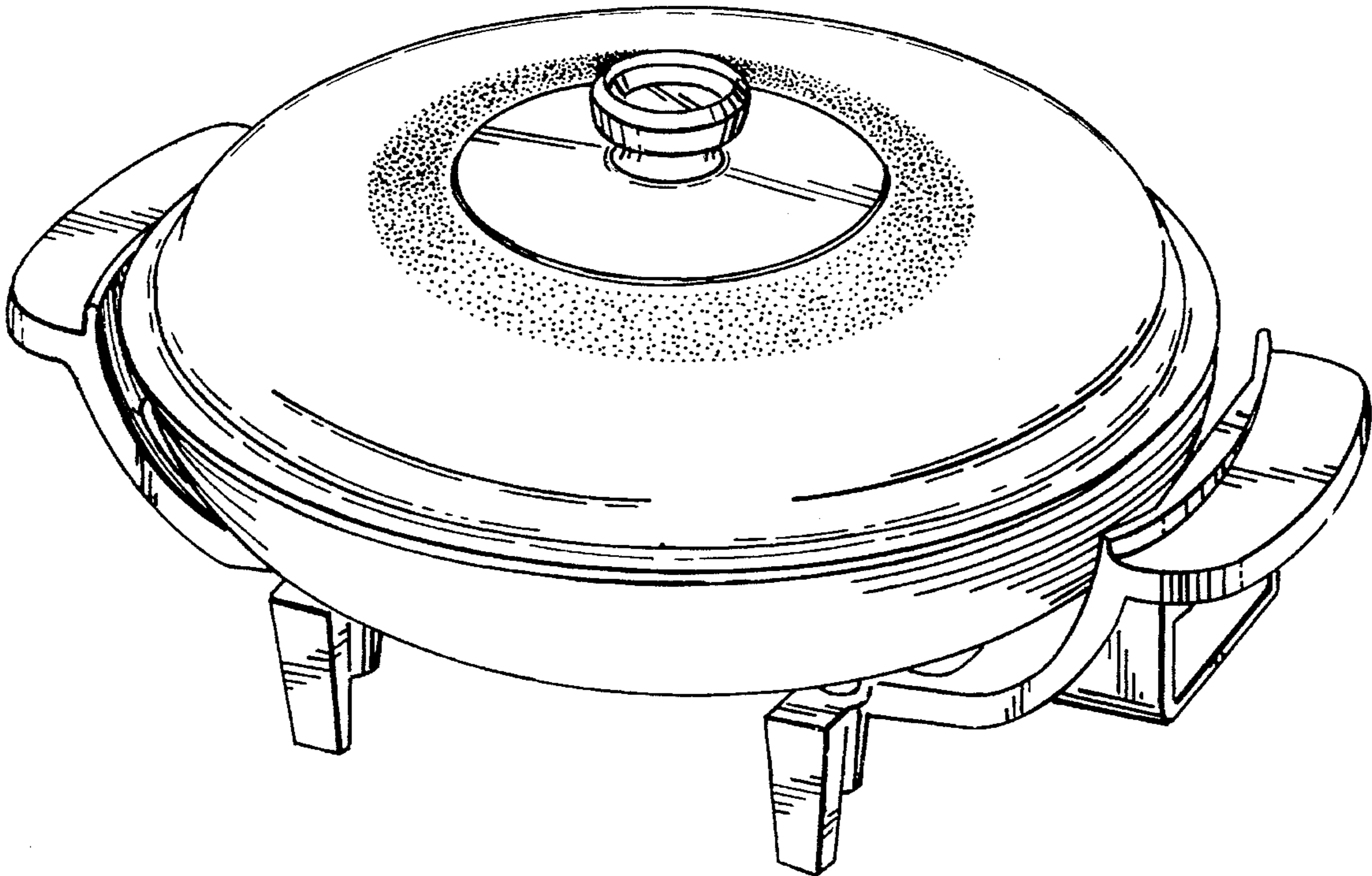
FIG. 3 is a top view thereof;

FIG. 4 is a left side view thereof; the right side view is a mirror image of the left side view thereof;

FIG. 5 is a bottom view thereof; and,

FIG. 6 is a front side view thereof.

1 Claim, 3 Drawing Sheets



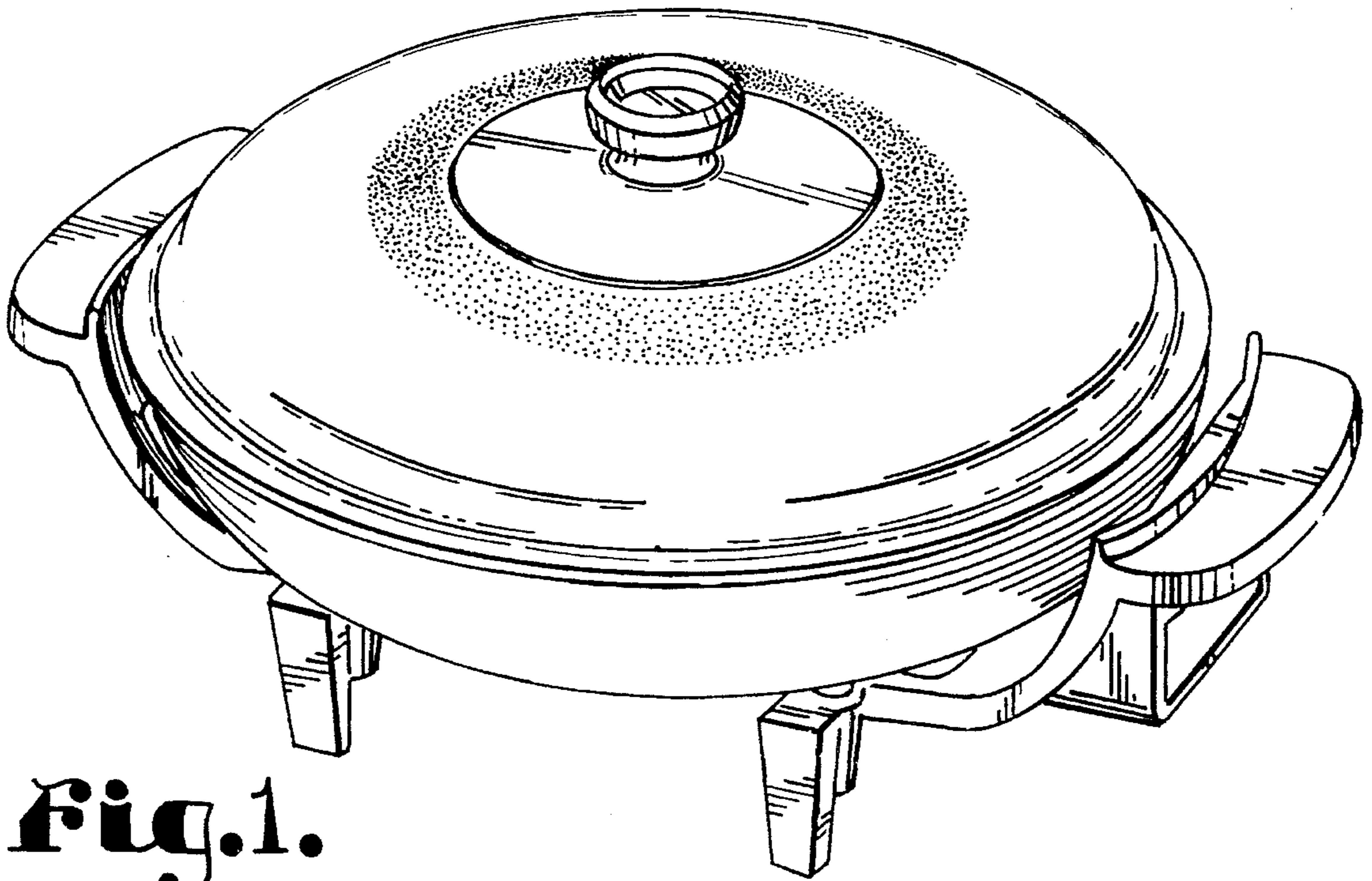


Fig. 1.

Fig. 2.

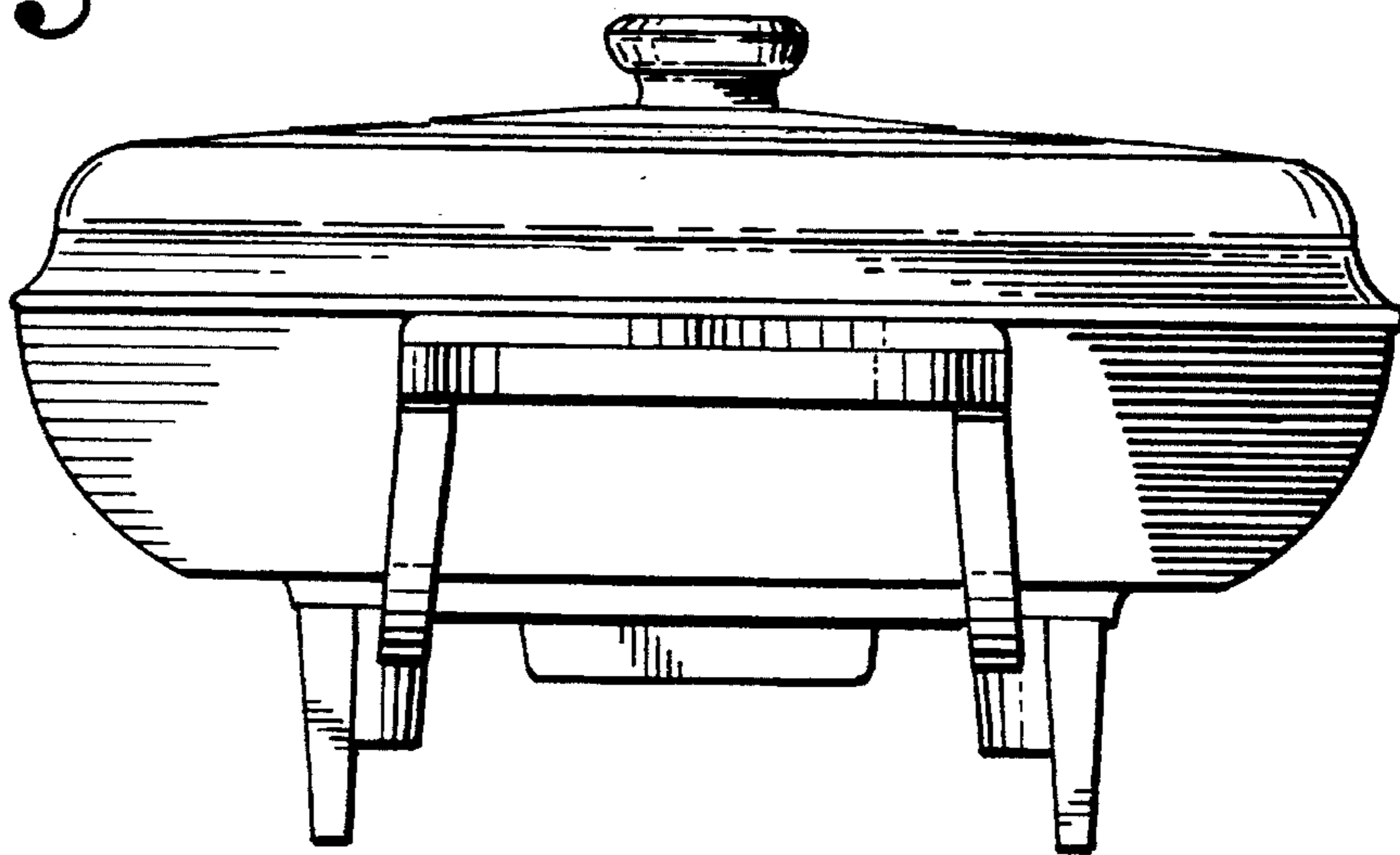


Fig. 3.

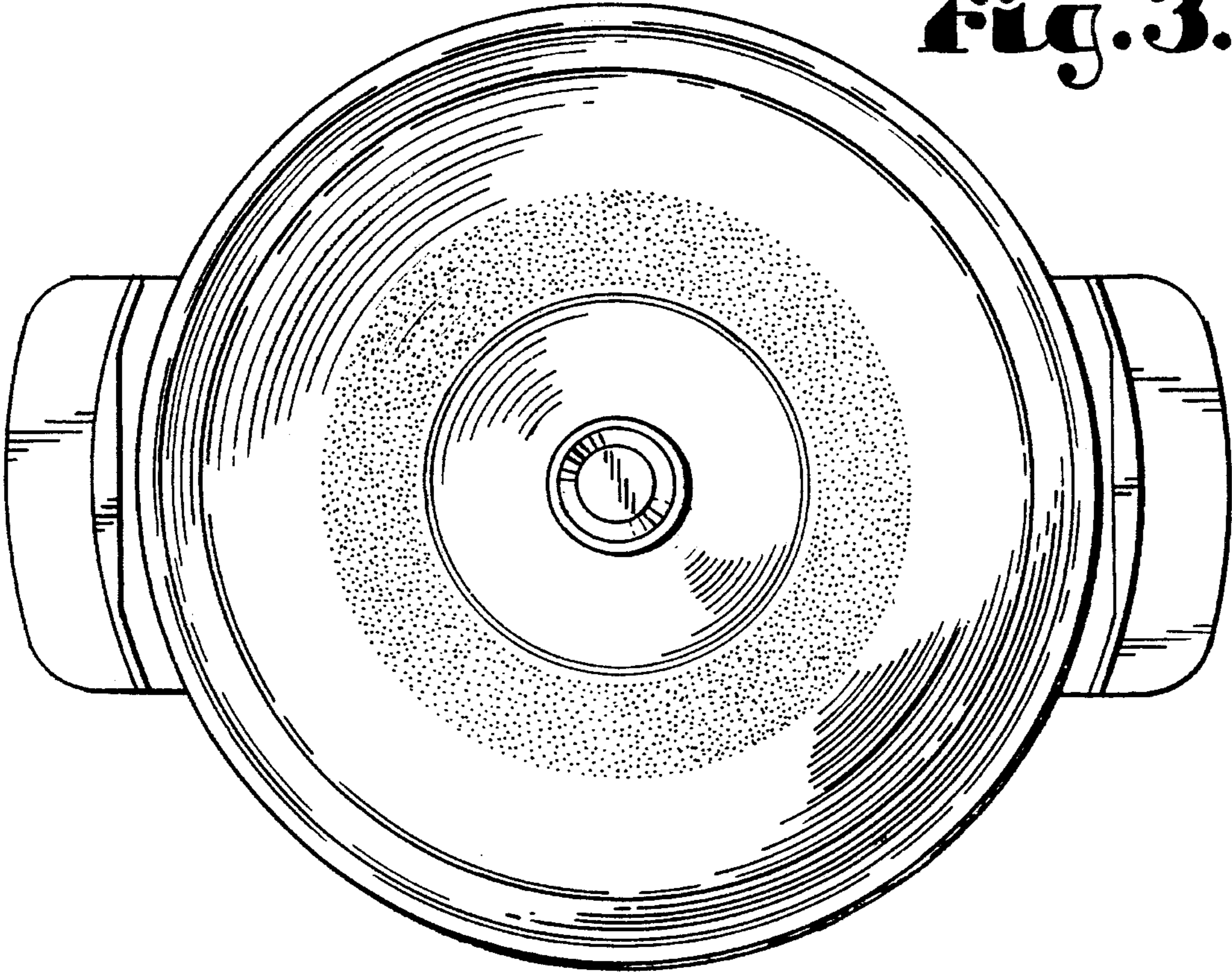


Fig. 4.

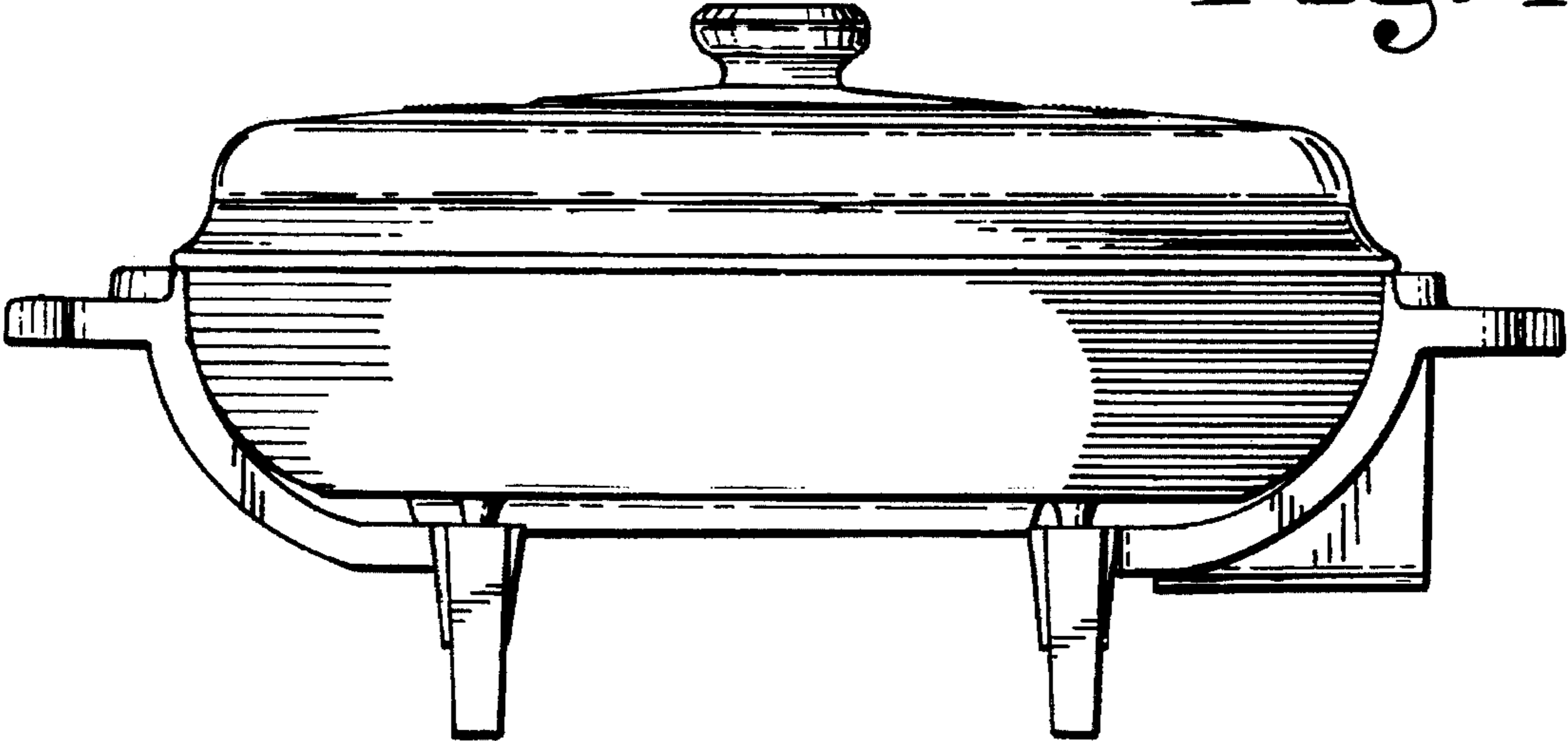


Fig. 5.

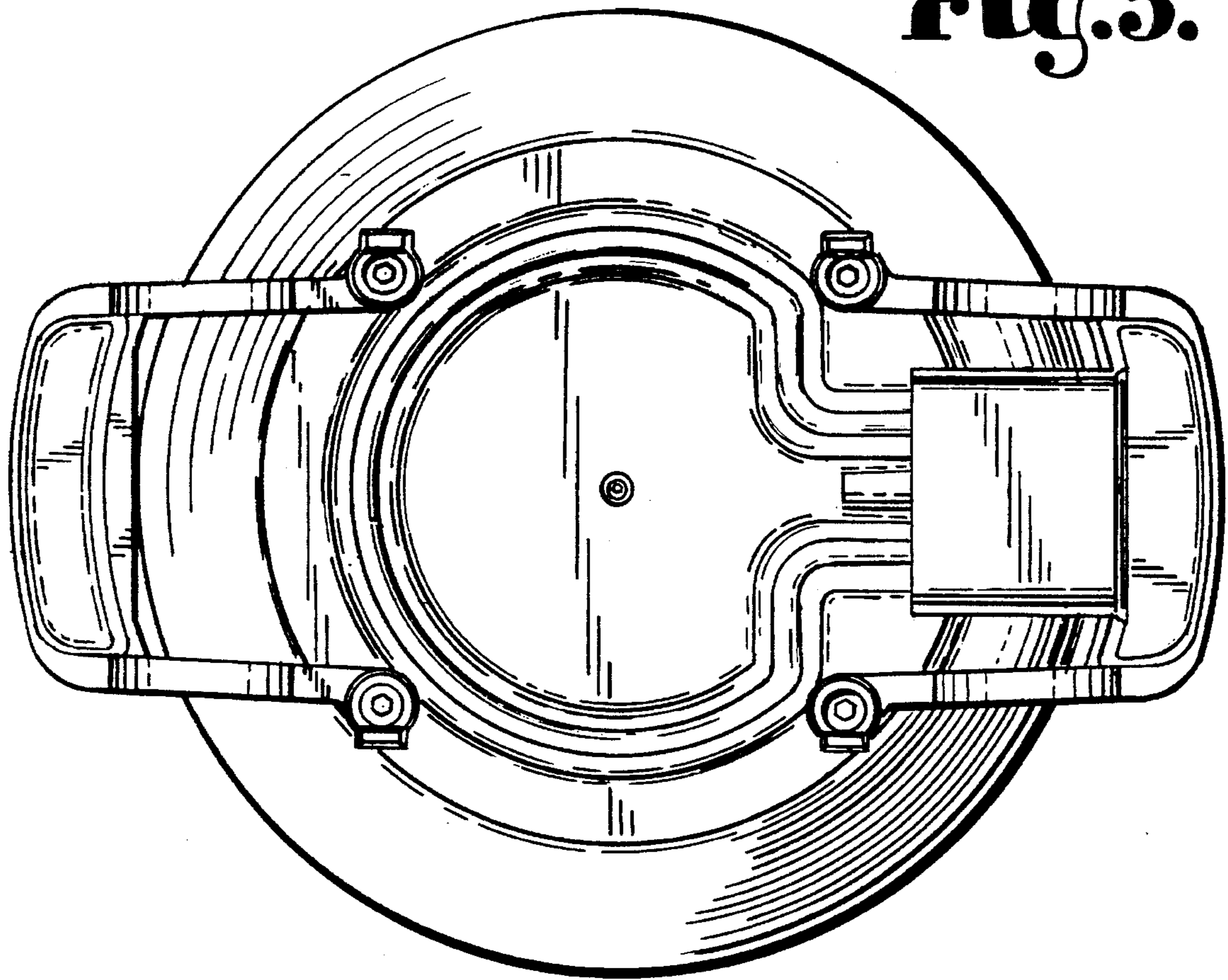


Fig. 6.

