



US00D369271S

United States Patent [19] Doumeng

[11] **Patent Number: Des. 369,271**
[45] **Date of Patent: **Apr. 30, 1996**

[54] **COOKING APPARATUS**

2,419,674 4/1947 Caplan 99/339

[75] Inventor: **Lionel Doumeng**, Marcellaz-Albanais, France

Primary Examiner—Alan P. Douglas
Assistant Examiner—Caron D. Veynar
Attorney, Agent, or Firm—Young & Thompson

[73] Assignee: **Tefal SA**, Ruimilly, France

[**] Term: **14 Years**

[57] **CLAIM**

[21] Appl. No.: **11,688**

The ornamental design for a cooking apparatus, as shown and described.

[22] Filed: **Aug. 12, 1993**

DESCRIPTION

[30] **Foreign Application Priority Data**

Feb. 19, 1993 [FR] France 93 0790

[52] **U.S. Cl.** **D7/357; D7/361**

[58] **Field of Search** **D7/35414 361; 99/324, 325, 339, 345, 425, 426, 445**

FIG. 1 is a top plan view of a cooking apparatus showing my new design;

FIG. 2 is a top perspective view of FIG. 1;

FIG. 3 is a front elevation view, the rear elevation view being a mirror image thereof;

FIG. 4 is a left side view of FIG. 1;

FIG. 5 is a right side view of FIG. 1; and,

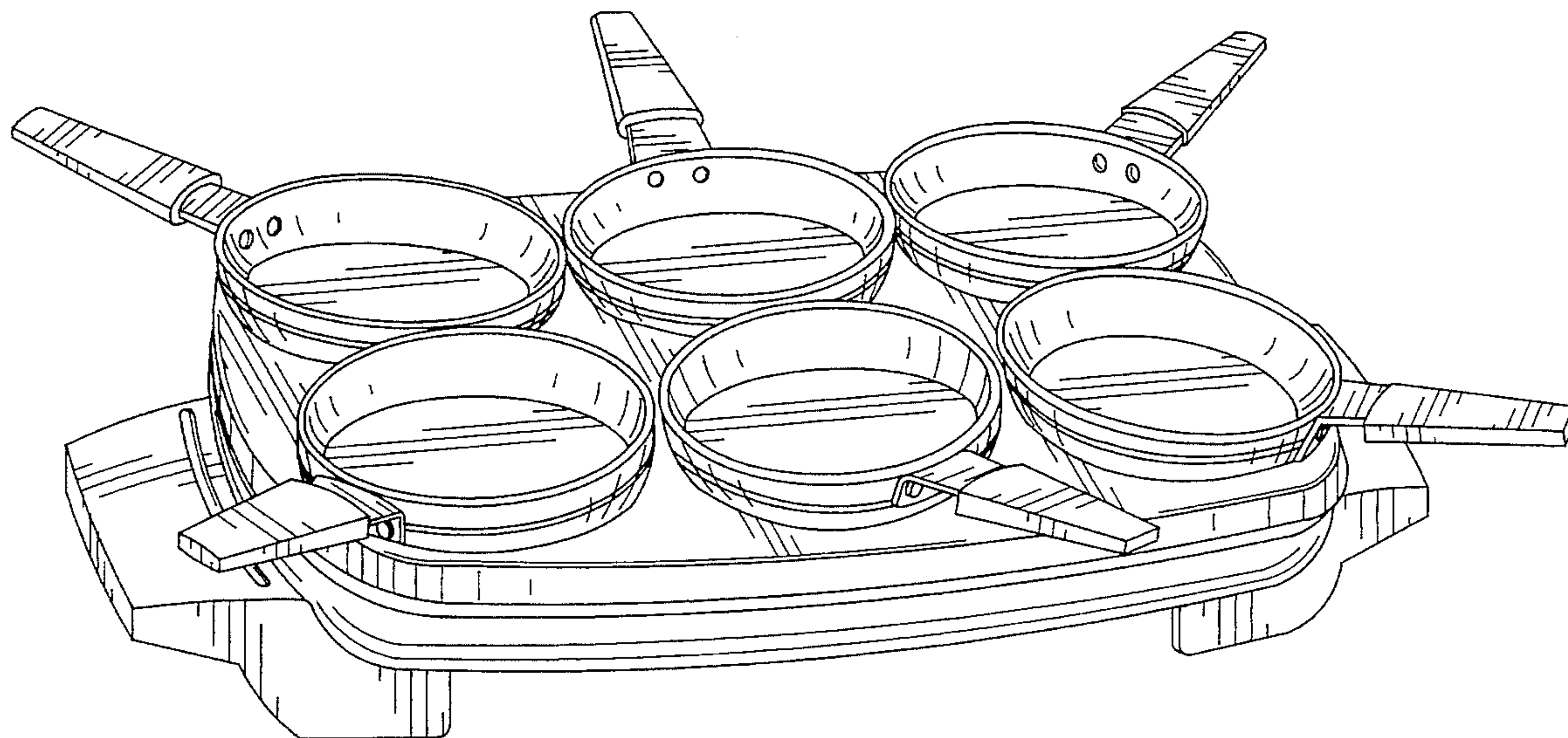
FIG. 6 is an underside plan view of FIG. 1.

[56] **References Cited**

U.S. PATENT DOCUMENTS

D. 260,721 9/1981 Terzian D7/357

1 Claim, 5 Drawing Sheets



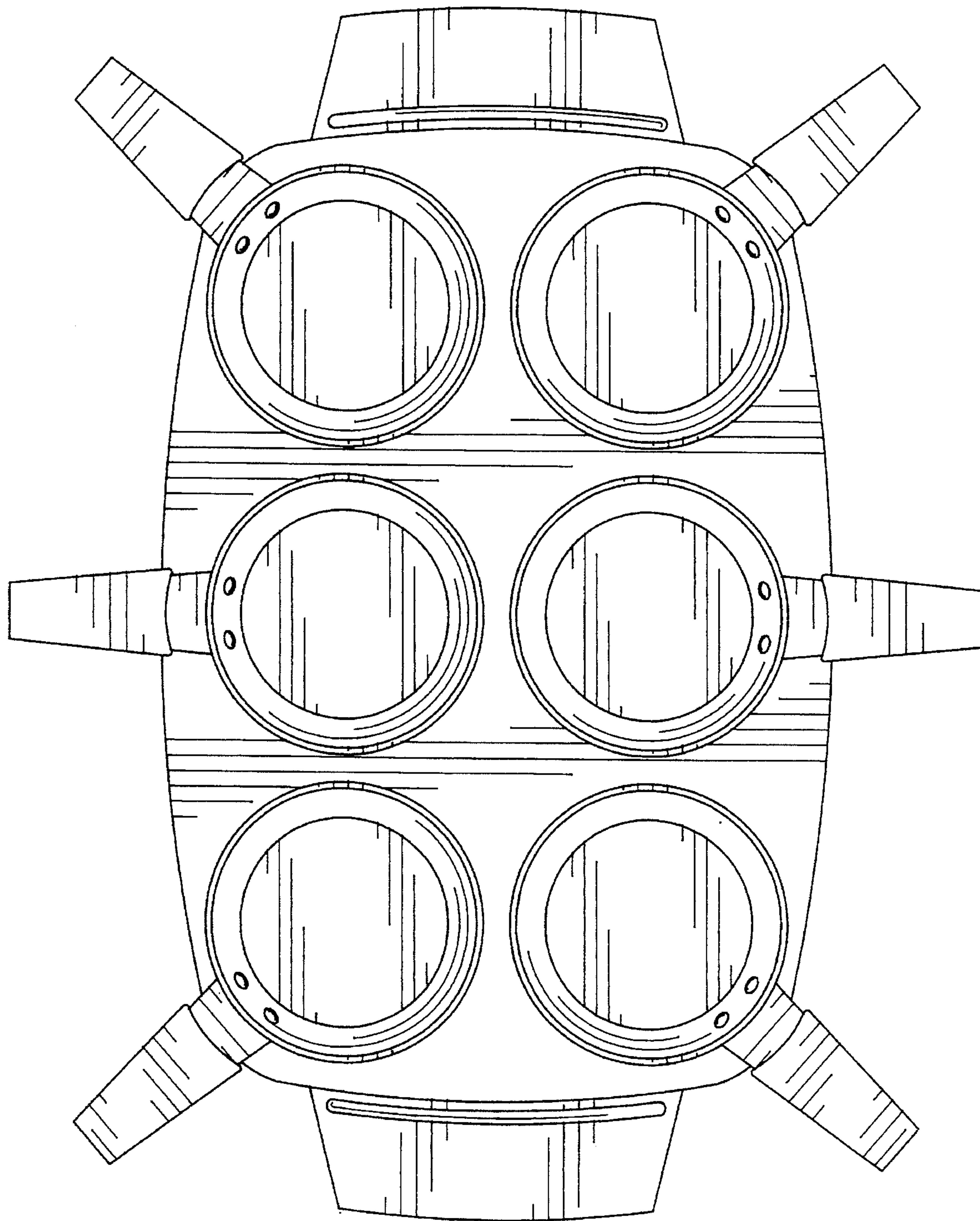


FIG. 1

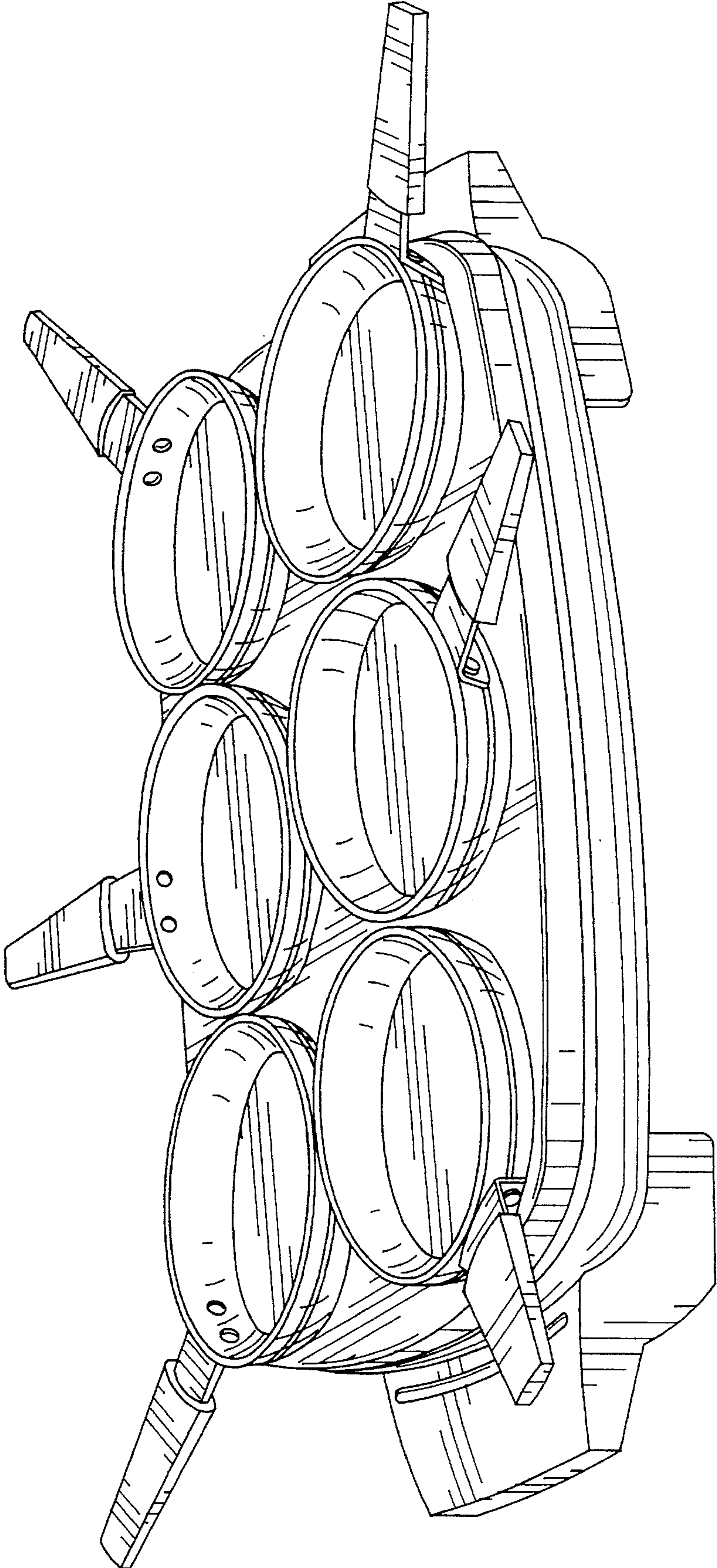


FIG. 2

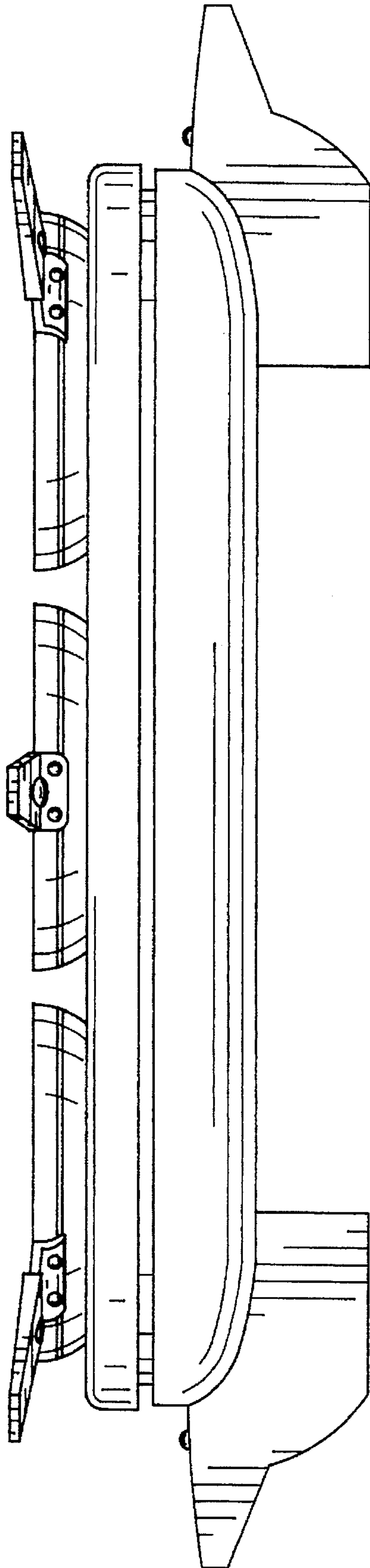


FIG. 3

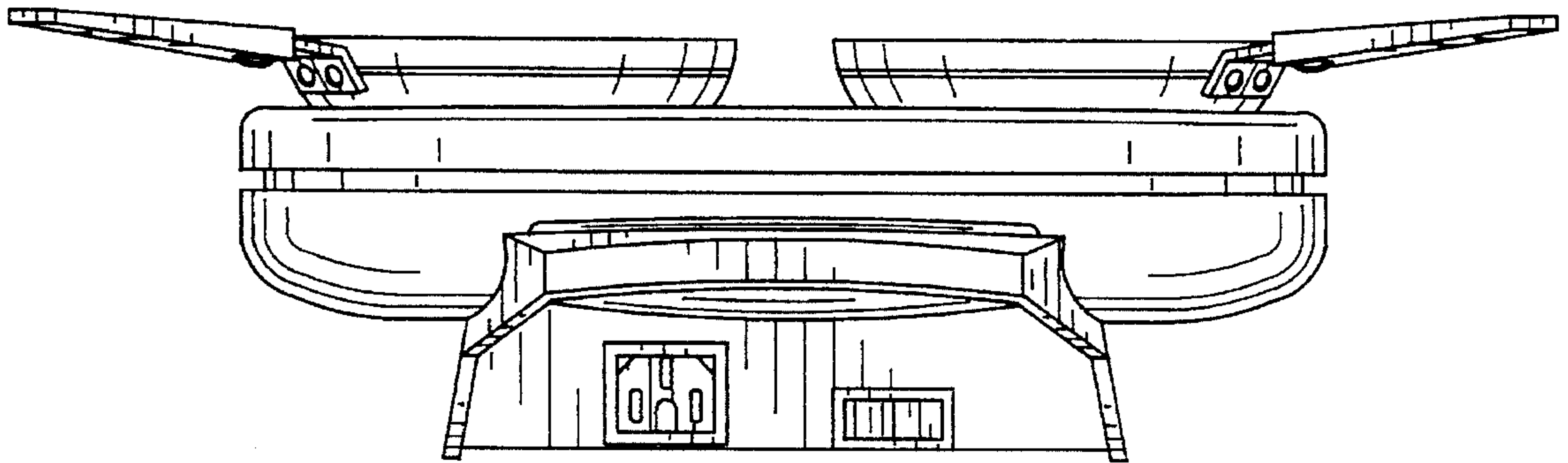


FIG. 4

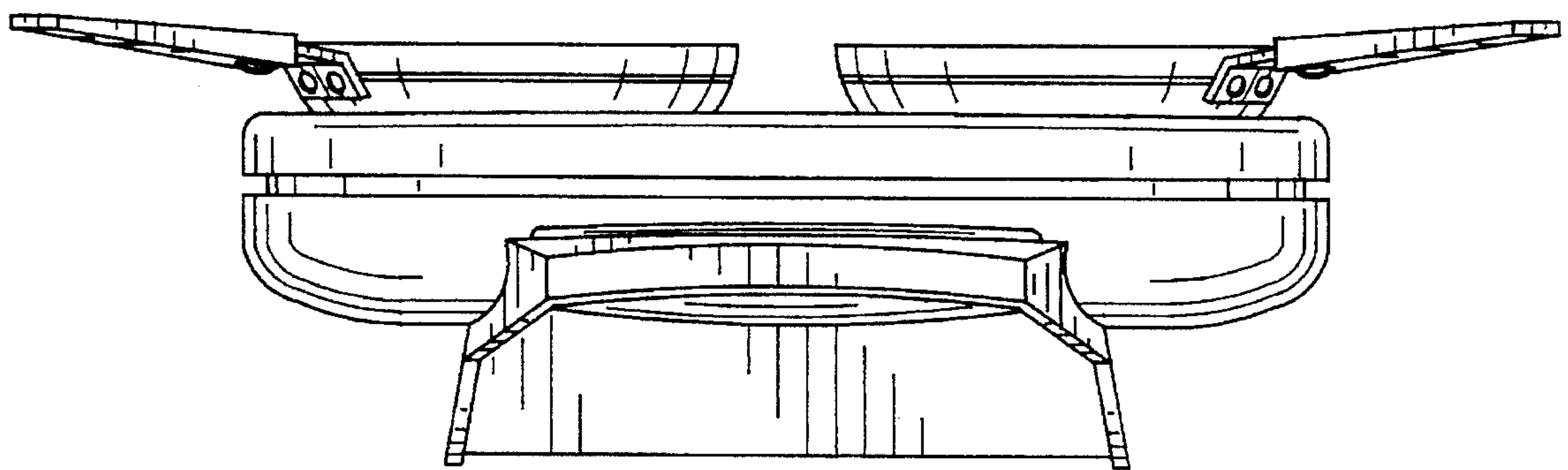


FIG. 5

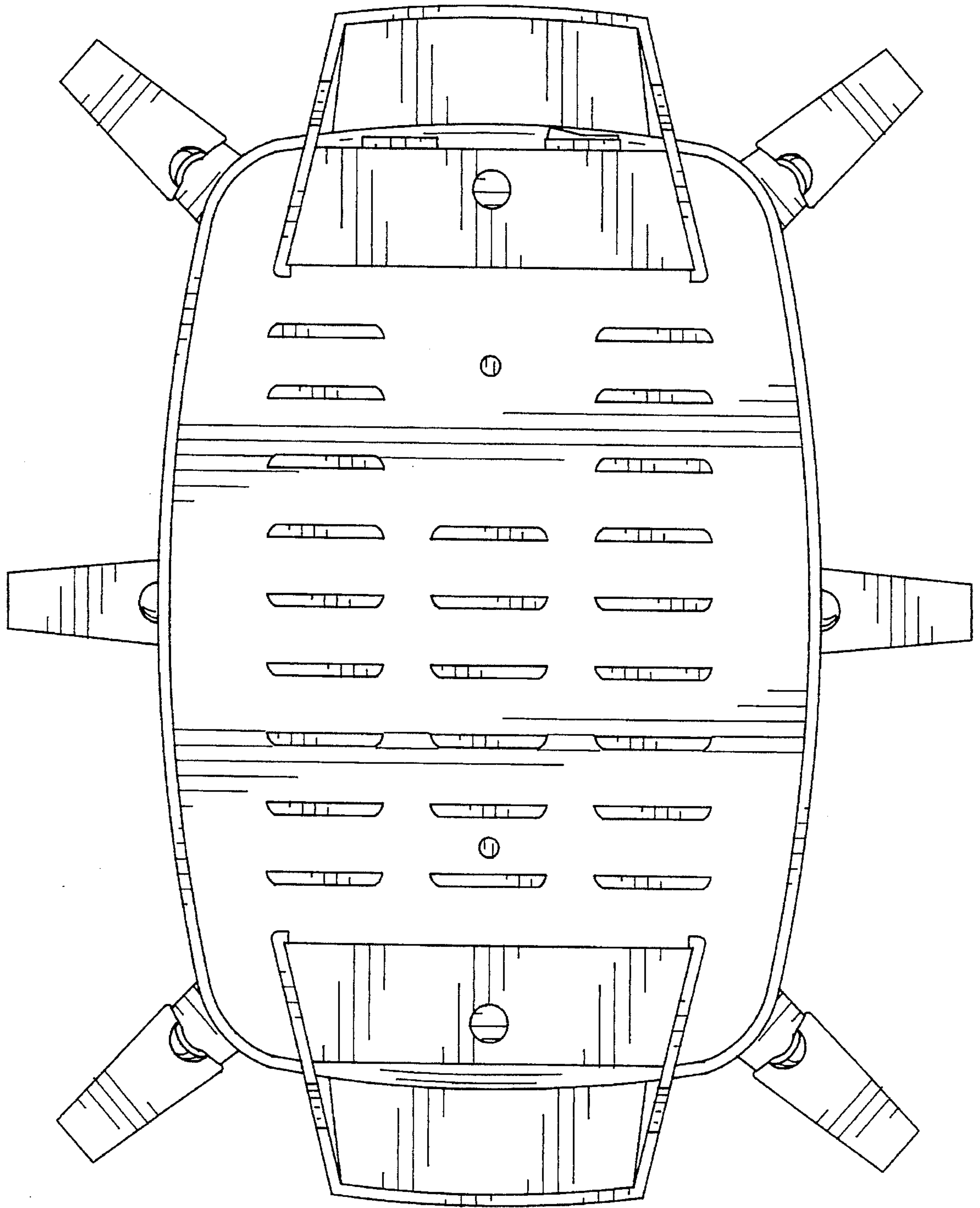


FIG. 6