



US00D369269S

United States Patent [19]

Labadia Del Fresno

[11] Patent Number: **Des. 369,269**

[45] Date of Patent: ****Apr. 30, 1996**

[54] **MINI COOKING CENTER**

[75] Inventor: **Miguel Labadia Del Fresno**, Vitoria, Spain

[73] Assignee: **Electrodomesticos Solac, S.A.**, Vitoria, Spain

[**] Term: **14 Years**

[21] Appl. No.: **35,282**

[22] Filed: **Feb. 22, 1995**

[30] Foreign Application Priority Data

Aug. 22, 1994 [ES] Spain 133303

[52] U.S. Cl. **D7/352; D7/323**

[58] Field of Search **D7/323, 352, 353; 99/372, 376, 380, 426**

[56] References Cited

U.S. PATENT DOCUMENTS

- D. 152,321 1/1949 Cavanagh D7/352
- D. 195,801 7/1963 Carpenter D7/352
- D. 235,610 7/1975 Giguere D7/352

- D. 242,975 1/1977 Daher D7/352
- D. 266,306 9/1982 Ansel D7/352
- D. 301,671 6/1989 Van Asten D7/352

Primary Examiner—Alan P. Douglas
Assistant Examiner—Caron D. Veynar
Attorney, Agent, or Firm—Helfgott & Karas

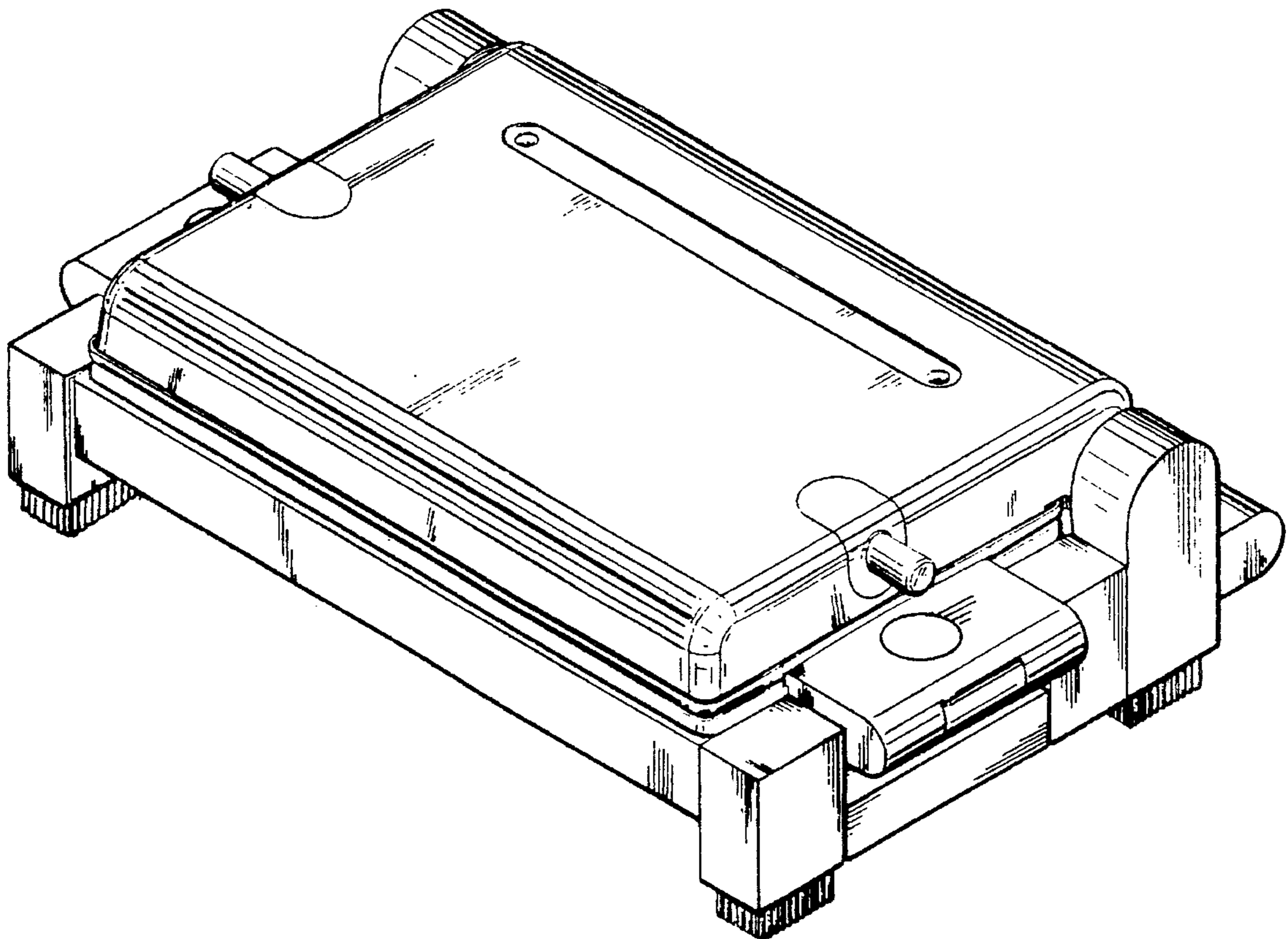
[57] CLAIM

The ornamental design for a mini cooking center, as shown.

DESCRIPTION

FIG. 1 is a perspective view of a mini cooking center showing my new design;
 FIG. 2 is a top perspective view with the cover closed and taken from the front thereof;
 FIG. 3 is a top perspective view of the invention with the top closed, and taken from the rear thereof;
 FIG. 4 is a rear elevational view thereof;
 FIG. 5 is a left side view thereof;
 FIG. 6 is a right side view thereof;
 FIG. 7 is a top view thereof;
 FIG. 8 is a front view thereof; and,
 FIG. 9 is a bottom view thereof.

1 Claim, 4 Drawing Sheets



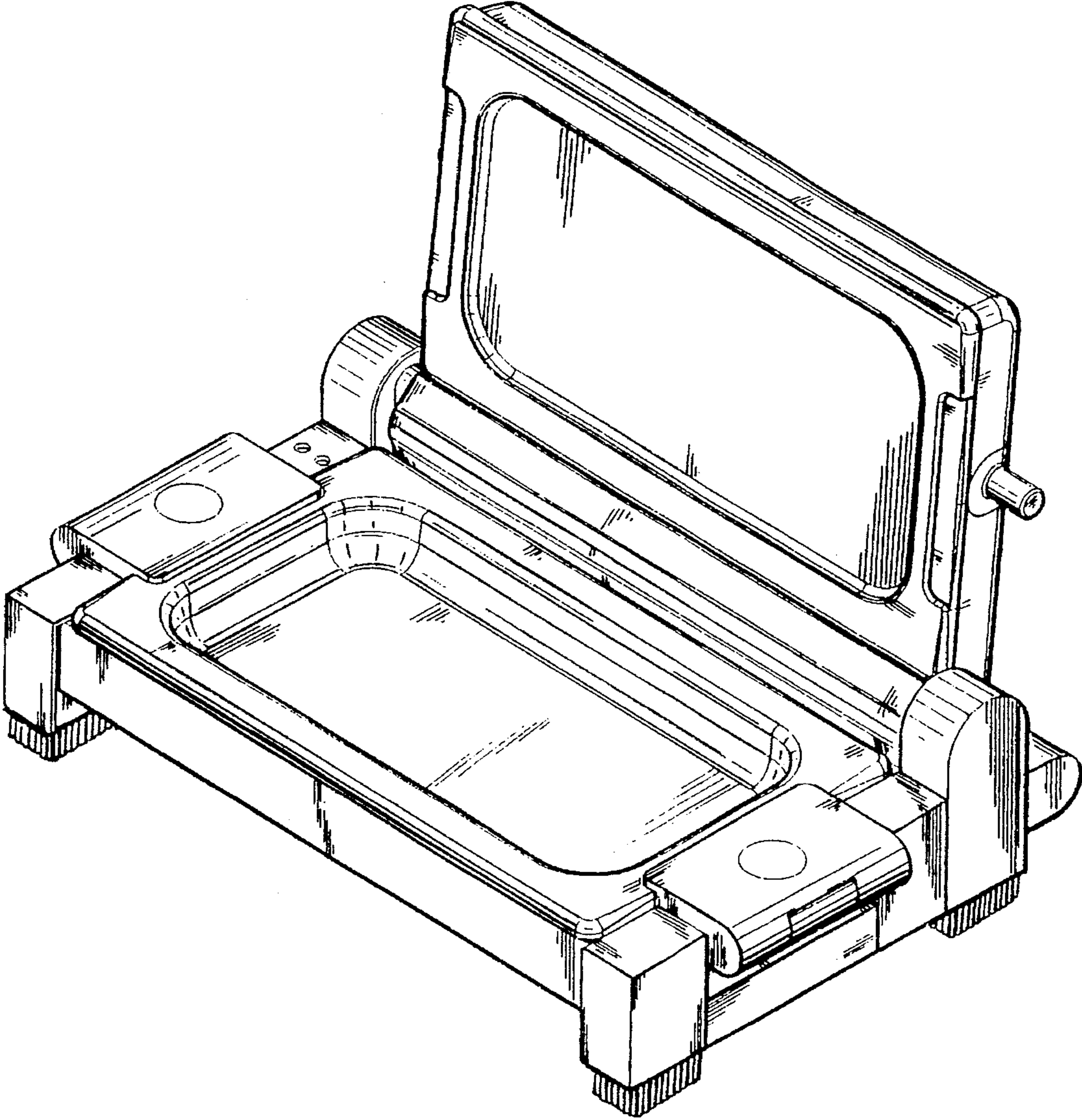


FIG. 1

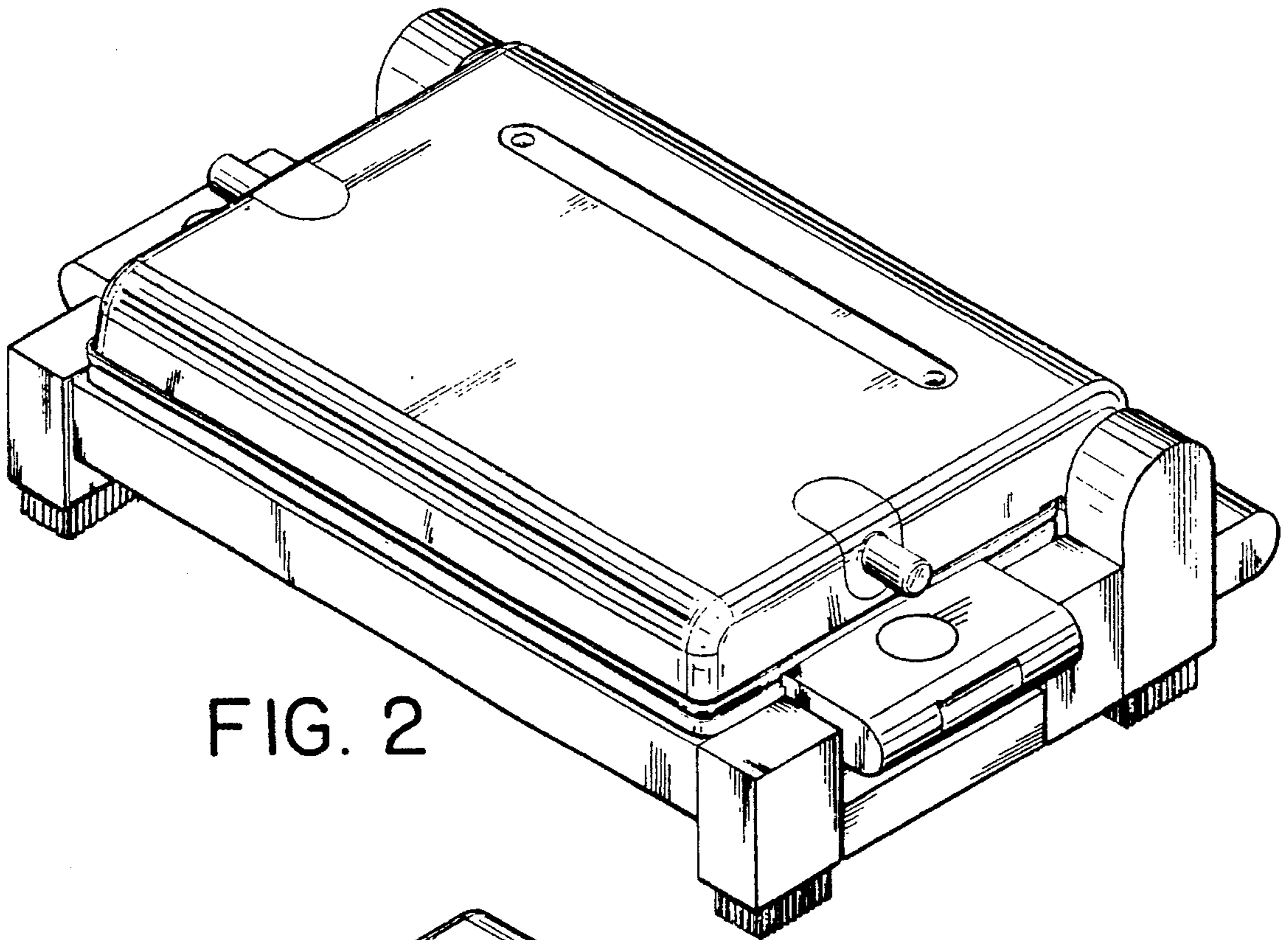


FIG. 2

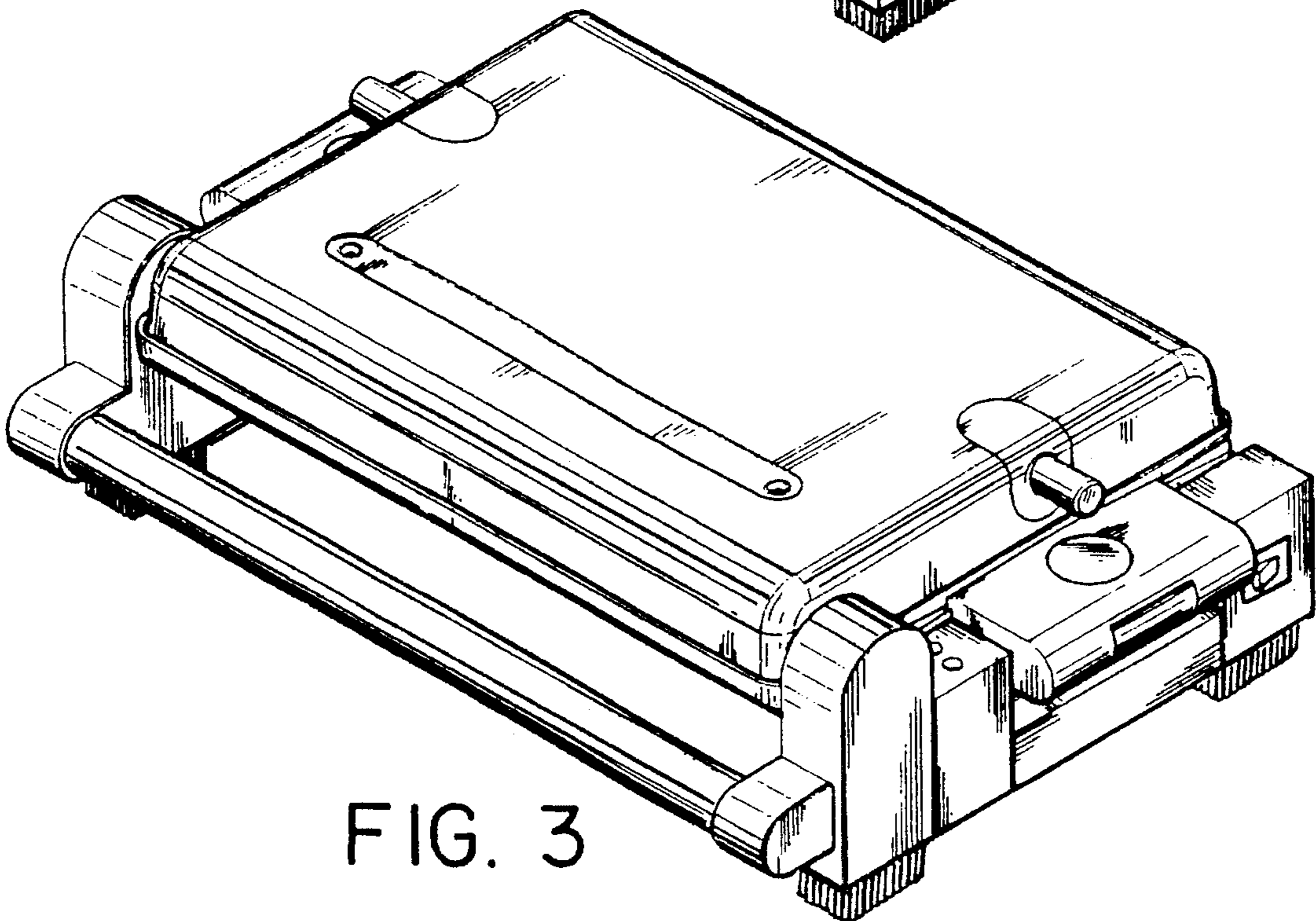


FIG. 3

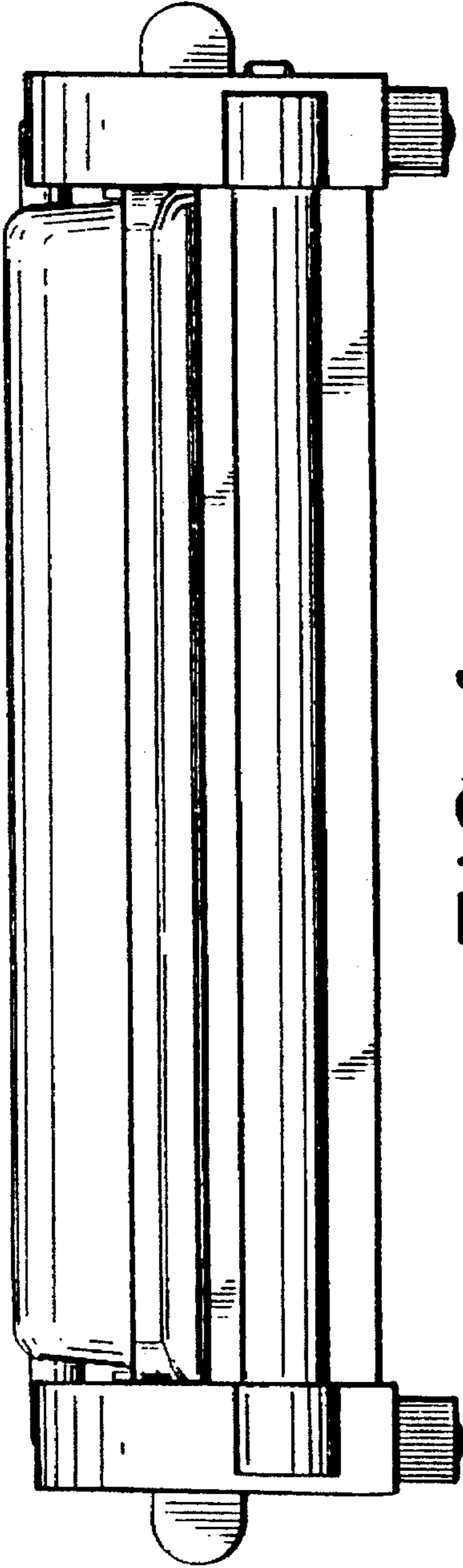


FIG. 4

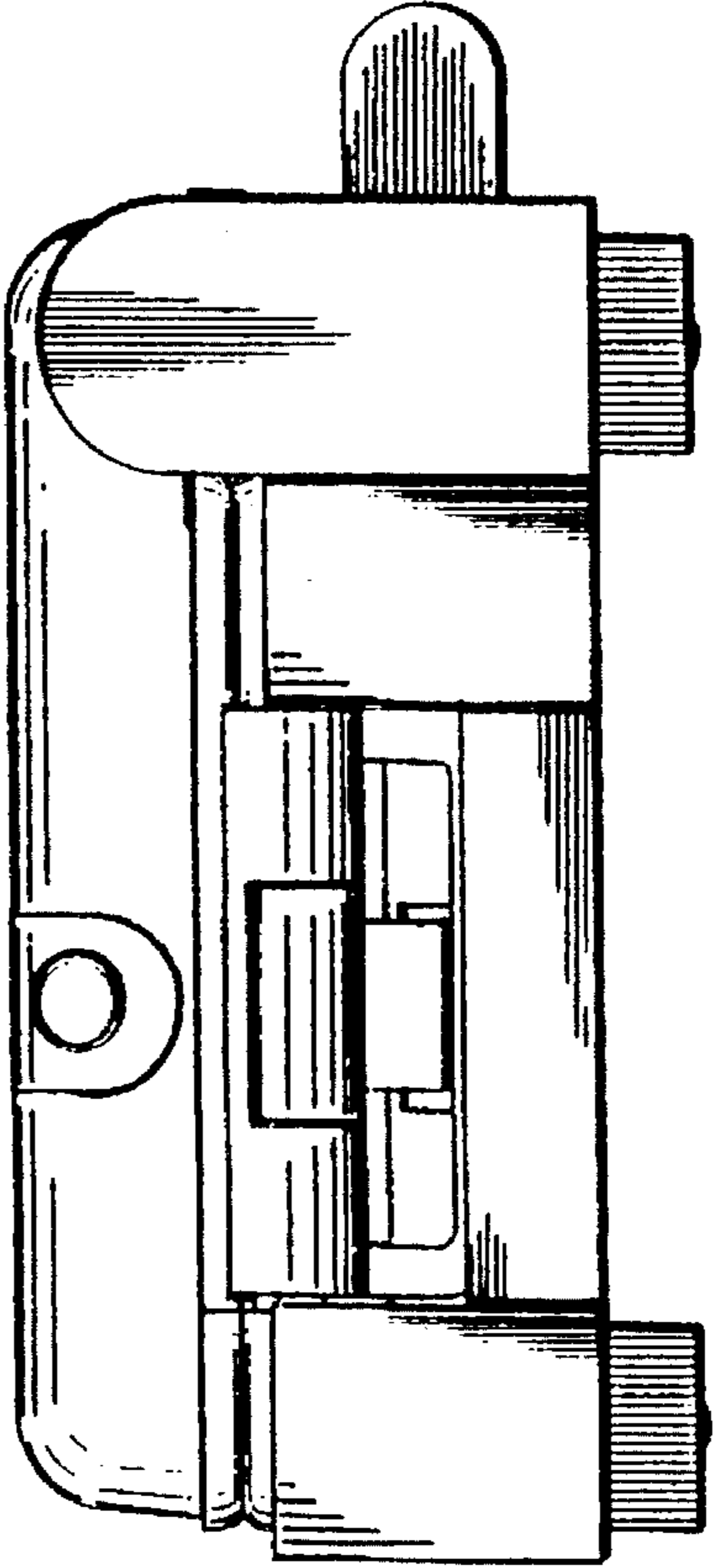


FIG. 6

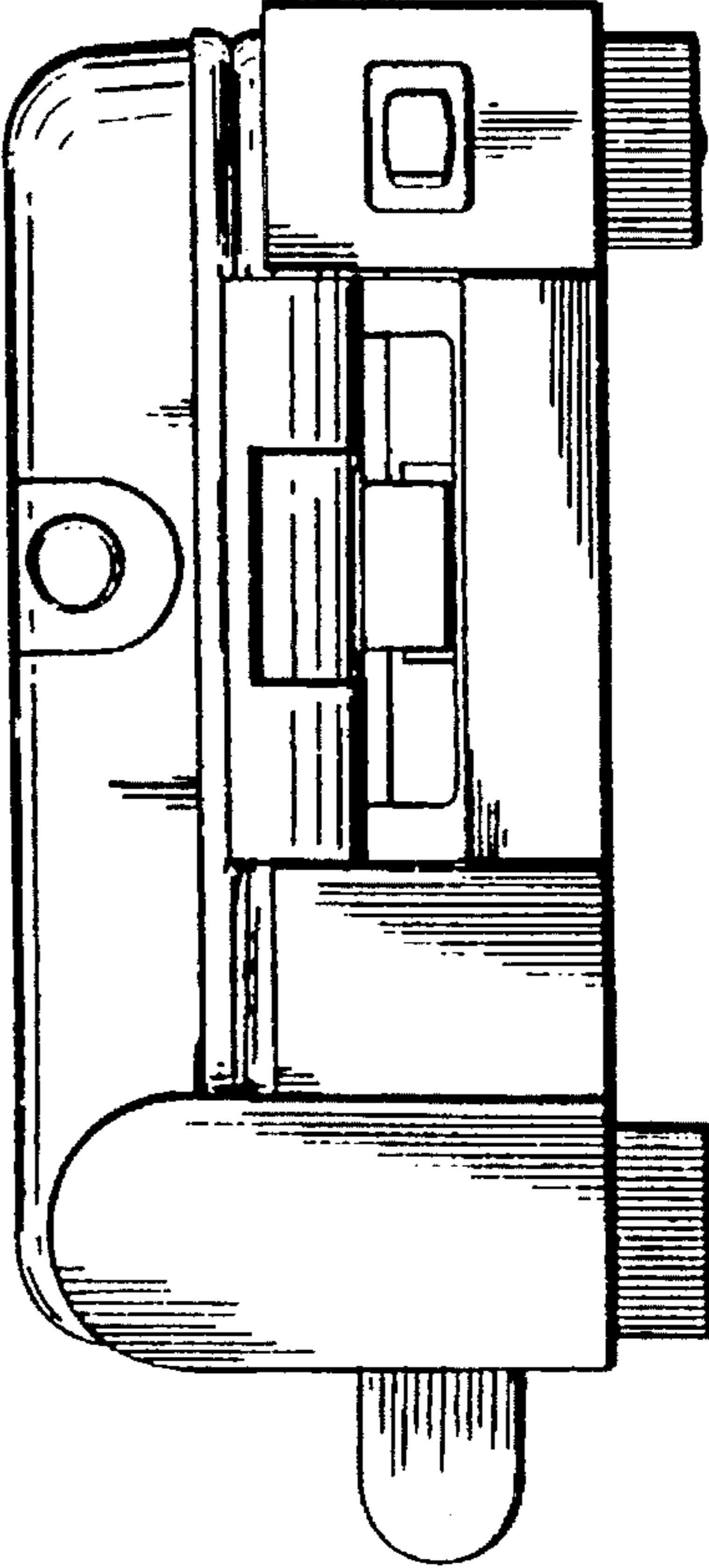


FIG. 5

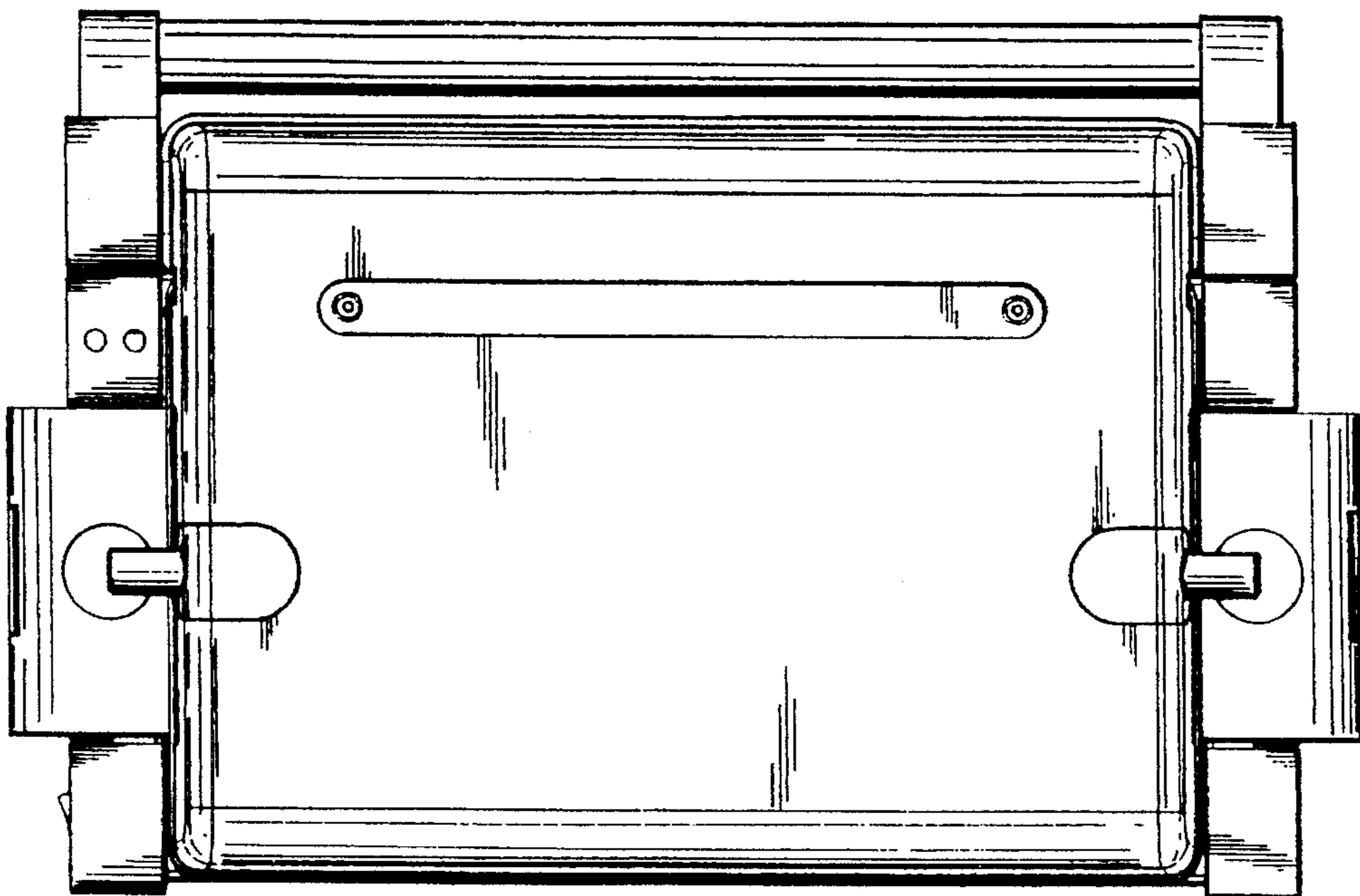


FIG. 7

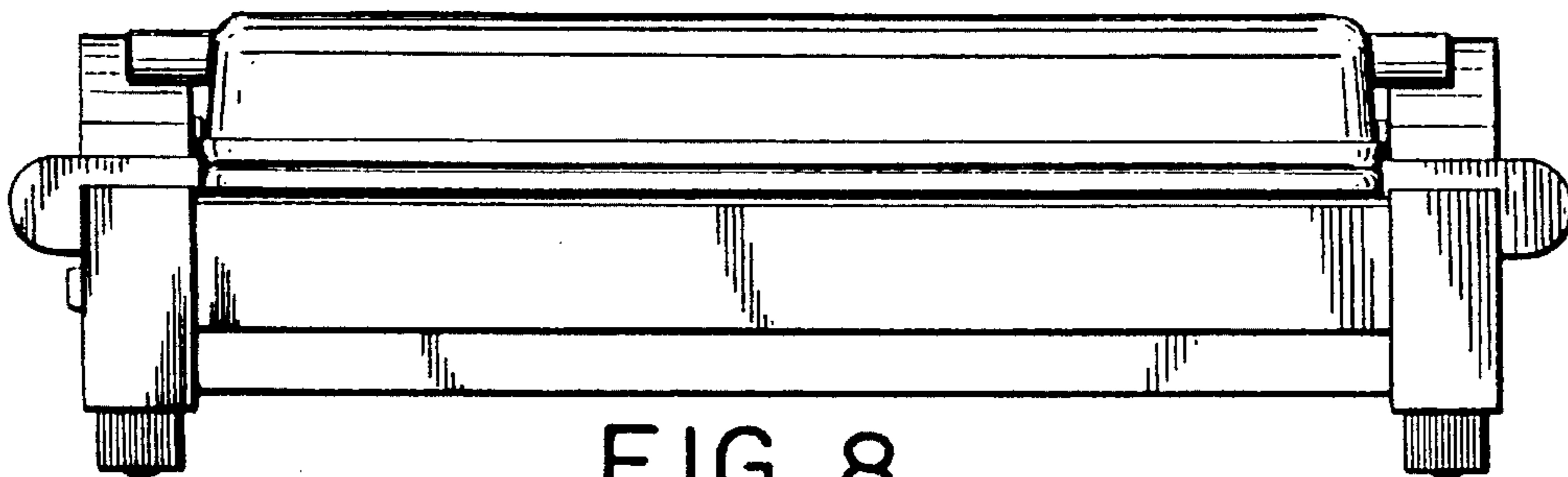


FIG. 8

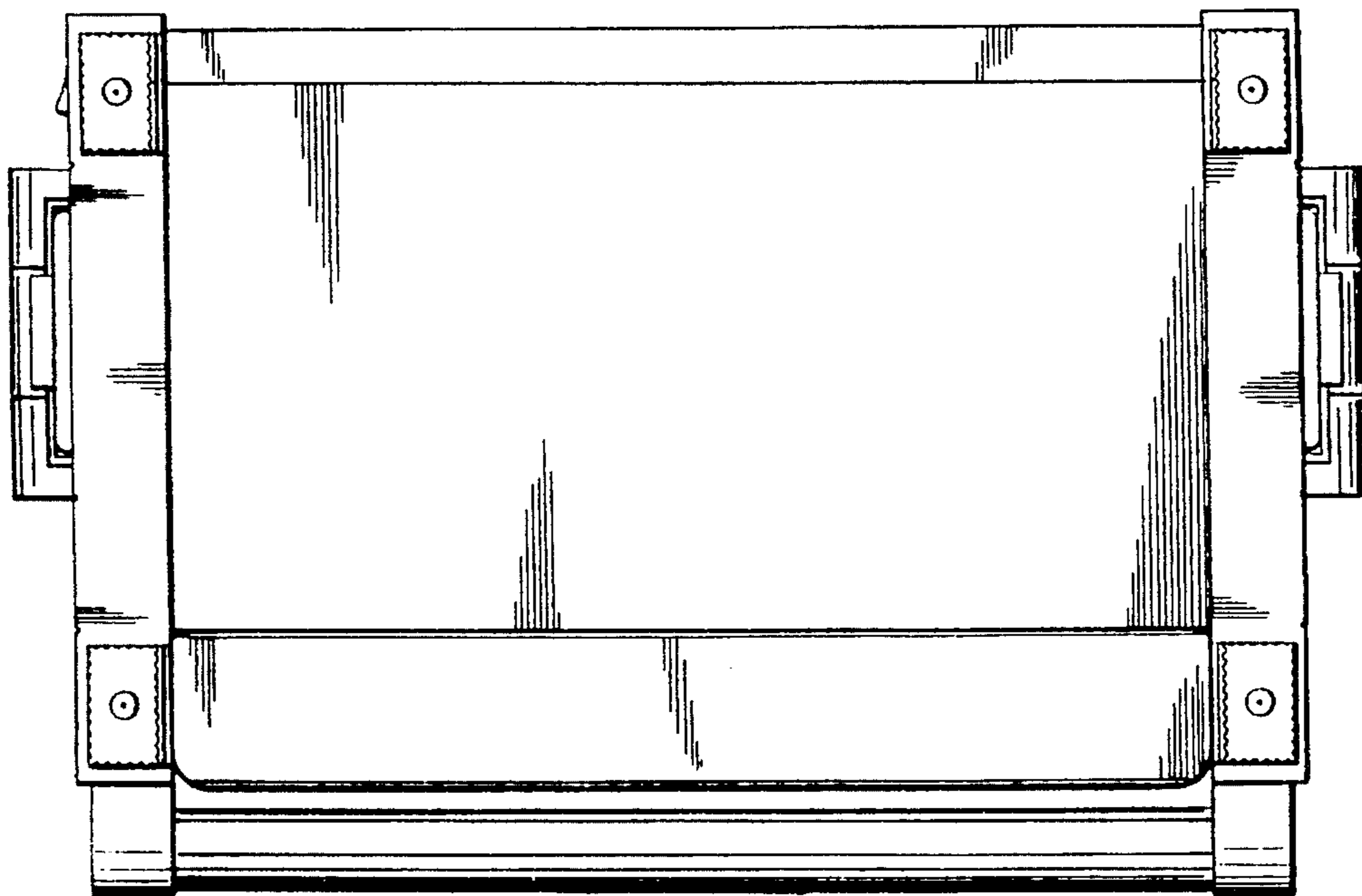


FIG. 9