



US00D369267S

United States Patent [19]
Harrington

[11] **Patent Number: Des. 369,267**
[45] **Date of Patent: **Apr. 30, 1996**

[54] **COMPUTER DISK SEPARATING TAB**

FOREIGN PATENT DOCUMENTS

[76] Inventor: **Michael L. Harrington**, 1918 W. Clarke, Spokane, Wash. 99201

305344 2/1929 United Kingdom 211/11

[**] Term: **14 Years**

Primary Examiner—Alan P. Douglas
Assistant Examiner—S. Snapp
Attorney, Agent, or Firm—Wells, St. John, Roberts, Gregory & Matkin

[21] Appl. No.: **30,085**

[22] Filed: **Oct. 20, 1994**

[57] **CLAIM**

[52] **U.S. Cl.** **D6/630; D19/99**

The ornamental design for a computer disk separating tab, as shown and described.

[58] **Field of Search** D6/407, 626-635;
206/387.1, 387.13, 387.15, 307.1, 308.1,
308.3; 312/9.1; 211/40, 41, 42, 11; D19/99;
402/80 R

DESCRIPTION

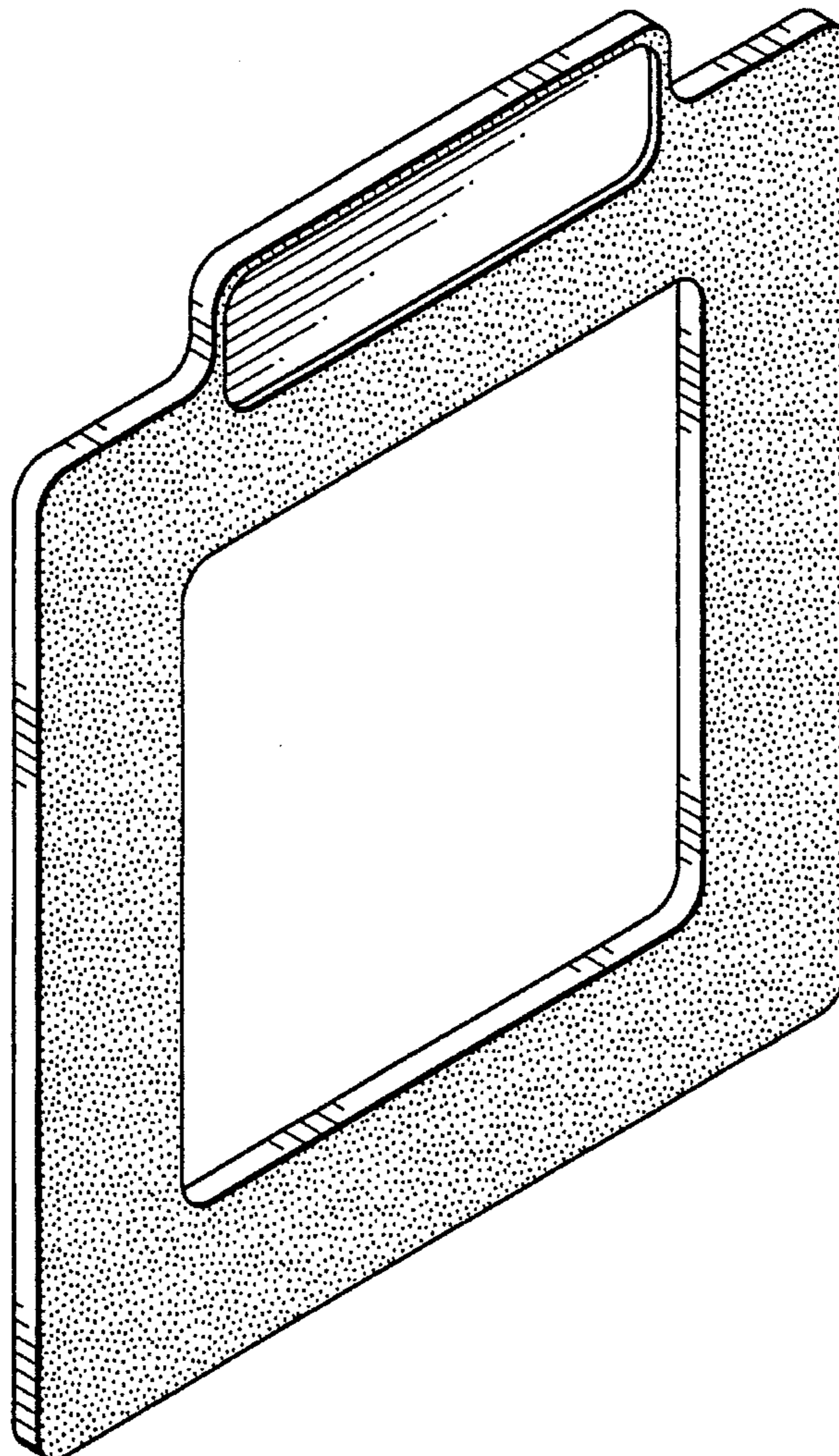
[56] **References Cited**

FIG. 1 is a perspective view of a computer disk separating tab showing my new design;
FIG. 2 is an orthographic front view thereof;
FIG. 3 is an orthographic rear view thereof;
FIG. 4 is a side view thereof, the opposite side being identical thereto; and,
FIG. 5 is a bottom view thereof.

U.S. PATENT DOCUMENTS

D. 267,911	2/1983	Long et al.	D6/630
D. 287,070	12/1986	Staubitz et al.	D6/630
D. 288,214	2/1987	Evenson	D19/99
2,239,840	4/1941	Casey	211/11
4,776,482	10/1988	Wolters et al.	206/308.3 X
4,930,928	6/1990	Ristuccia, Sr.	402/80 R X

1 Claim, 2 Drawing Sheets



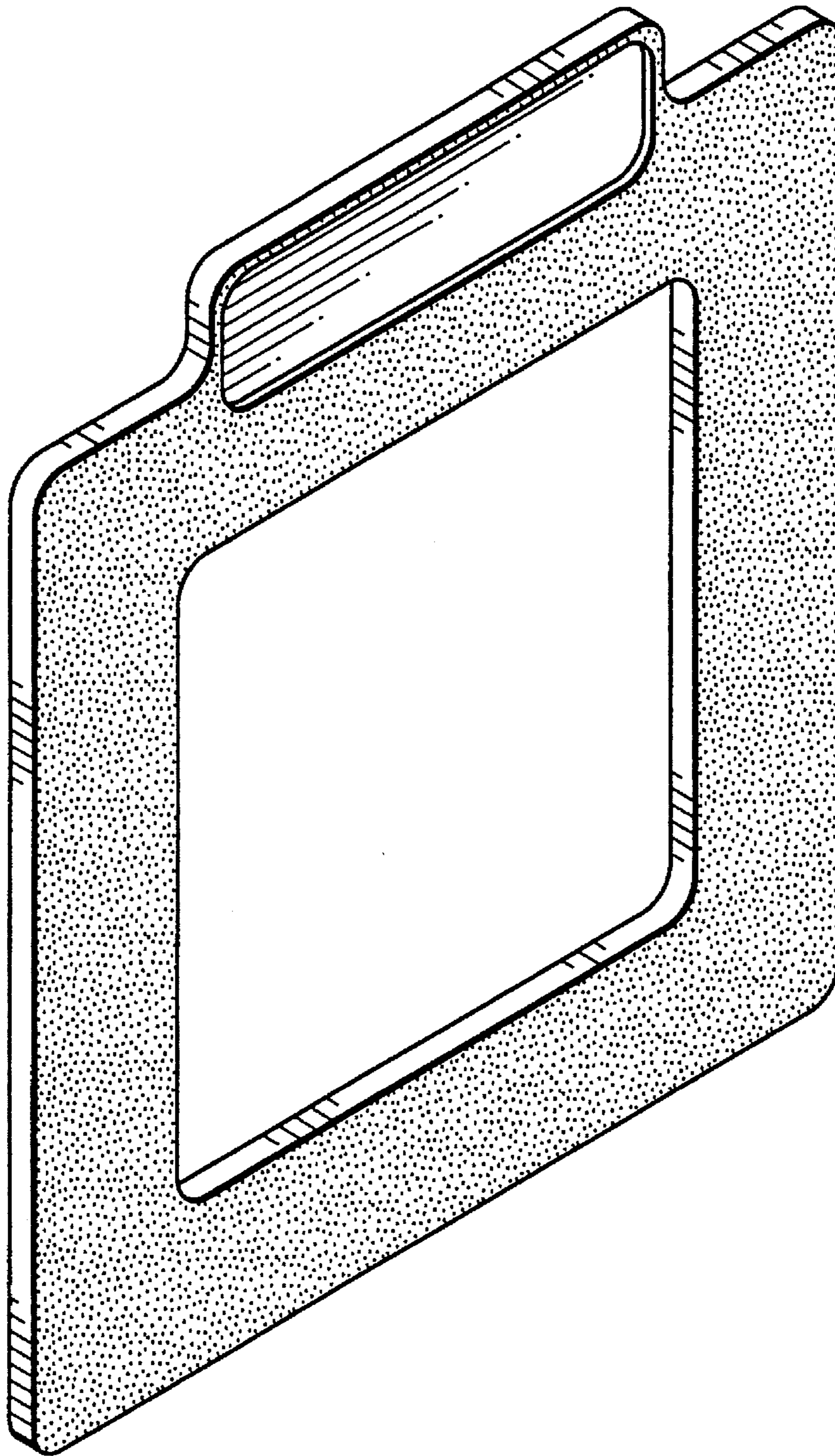


FIG. 1



Fig. 2

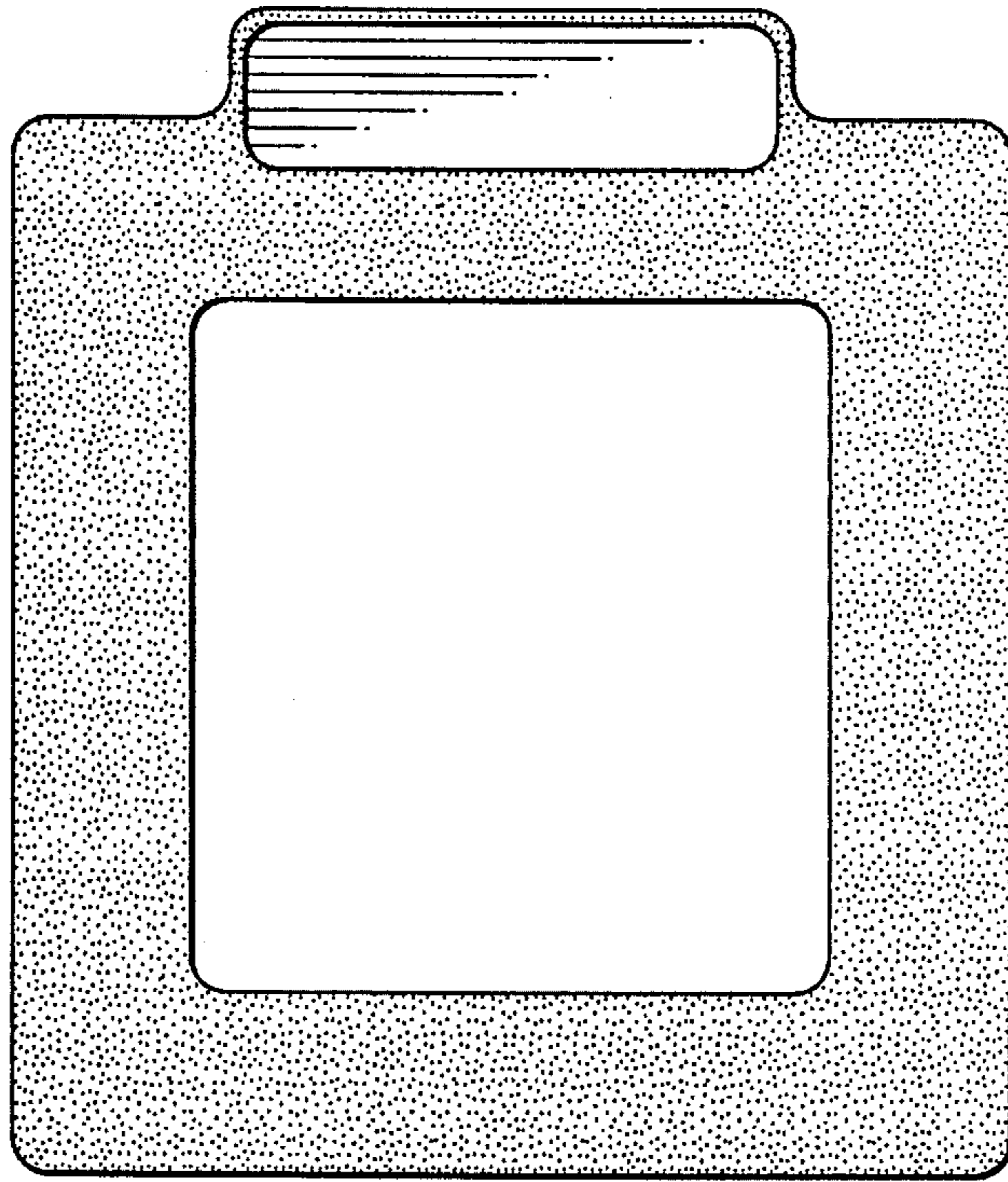


Fig. 1

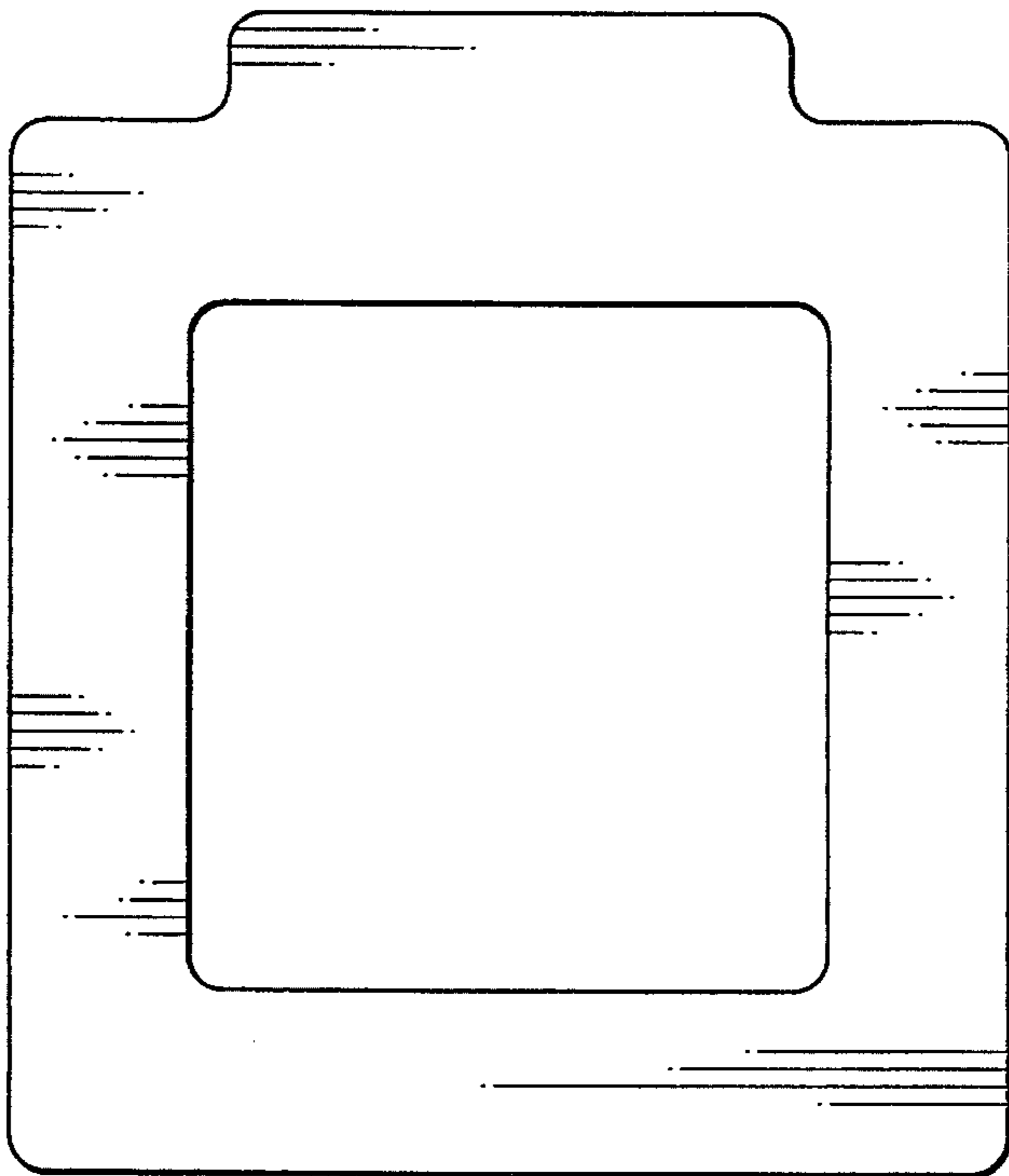


Fig. 3

Fig. 4

