



US00D369263S

**United States Patent** [19]  
**Gregg**

[11] **Patent Number: Des. 369,263**

[45] **Date of Patent: \*\*Apr. 30, 1996**

[54] **SOAP HOLDER**

[75] Inventor: **William L. Gregg**, Portland, Oreg.

[73] Assignee: **GBS Products, Inc.**, Portland, Oreg.

[\*\*] Term: **14 Years**

[21] Appl. No.: **35,350**

[22] Filed: **Feb. 24, 1995**

[52] **U.S. Cl.** ..... **D6/540**

[58] **Field of Search** ..... D6/536-540; 206/77.1;  
211/13, 86-90, 126, 134; 248/309.1

4,588,075 5/1986 Rupp ..... 206/77.1  
4,621,730 11/1986 Mancusi, Jr. .... 206/77.1  
4,993,546 2/1991 Southard ..... 206/77.1

**OTHER PUBLICATIONS**

Soap Cradle—Starcrest mail order catalog—1994.  
Soap Gondola—Starcrest mail order catalog—1994.

*Primary Examiner*—Brian N. Vinson

[57] **CLAIM**

The ornamental design for a soap holder, as shown.

**DESCRIPTION**

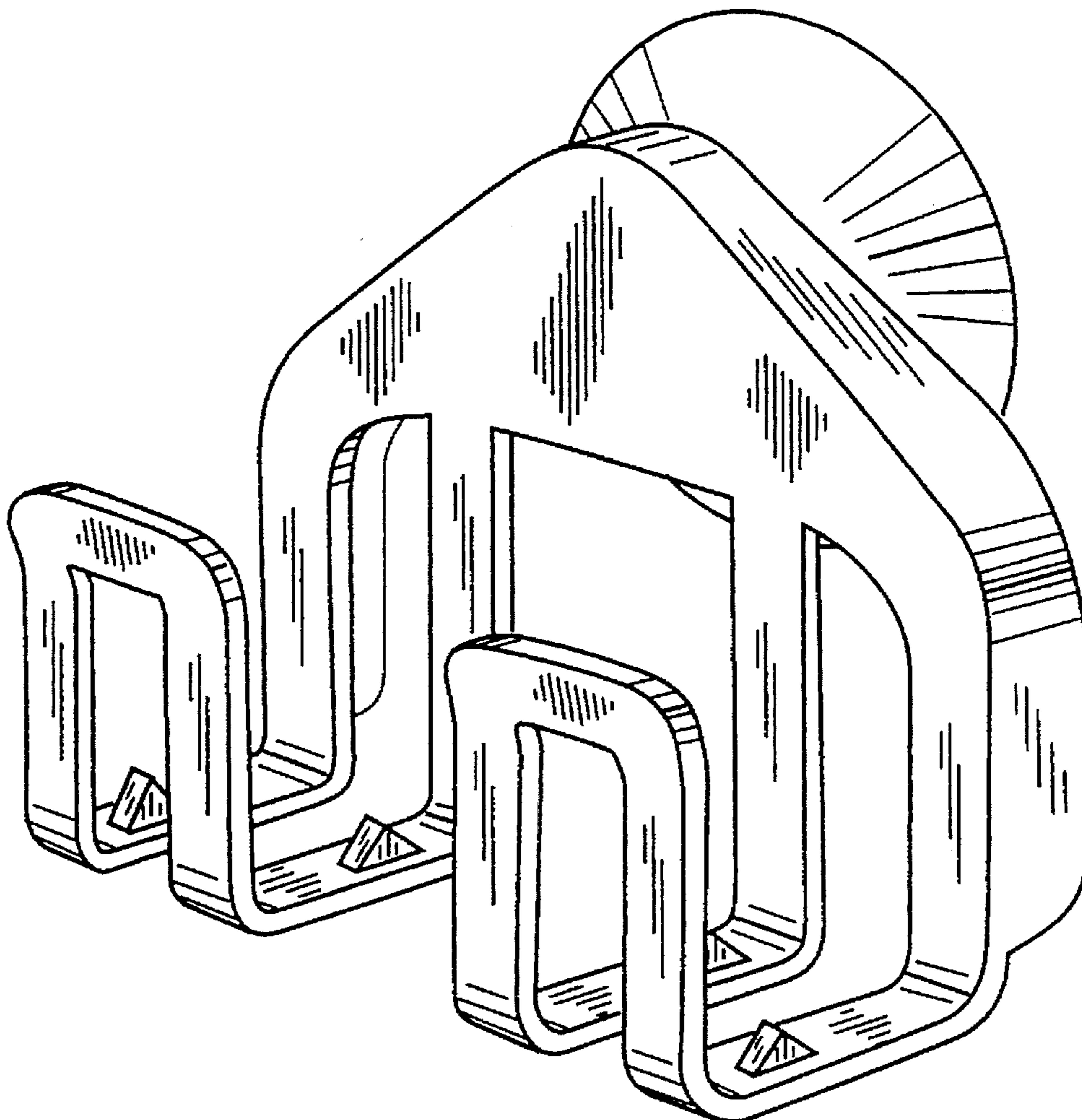
FIG. 1 is a perspective view;  
FIG. 2 is a top view;  
FIG. 3 is a side view;  
FIG. 4 is a front view;  
FIG. 5 is a back view; and,  
FIG. 6 is a bottom view.

**References Cited**

**U.S. PATENT DOCUMENTS**

D. 197,693 3/1964 Wessel ..... D4/3  
D. 239,749 5/1976 Rose ..... D6/89  
D. 250,076 10/1978 Amst ..... D6/90  
D. 276,292 11/1984 Rivera et al. .... D6/536  
D. 279,640 7/1985 Walbeck ..... D6/536  
D. 355,320 2/1995 Jauregui ..... D6/540

**1 Claim, 1 Drawing Sheet**



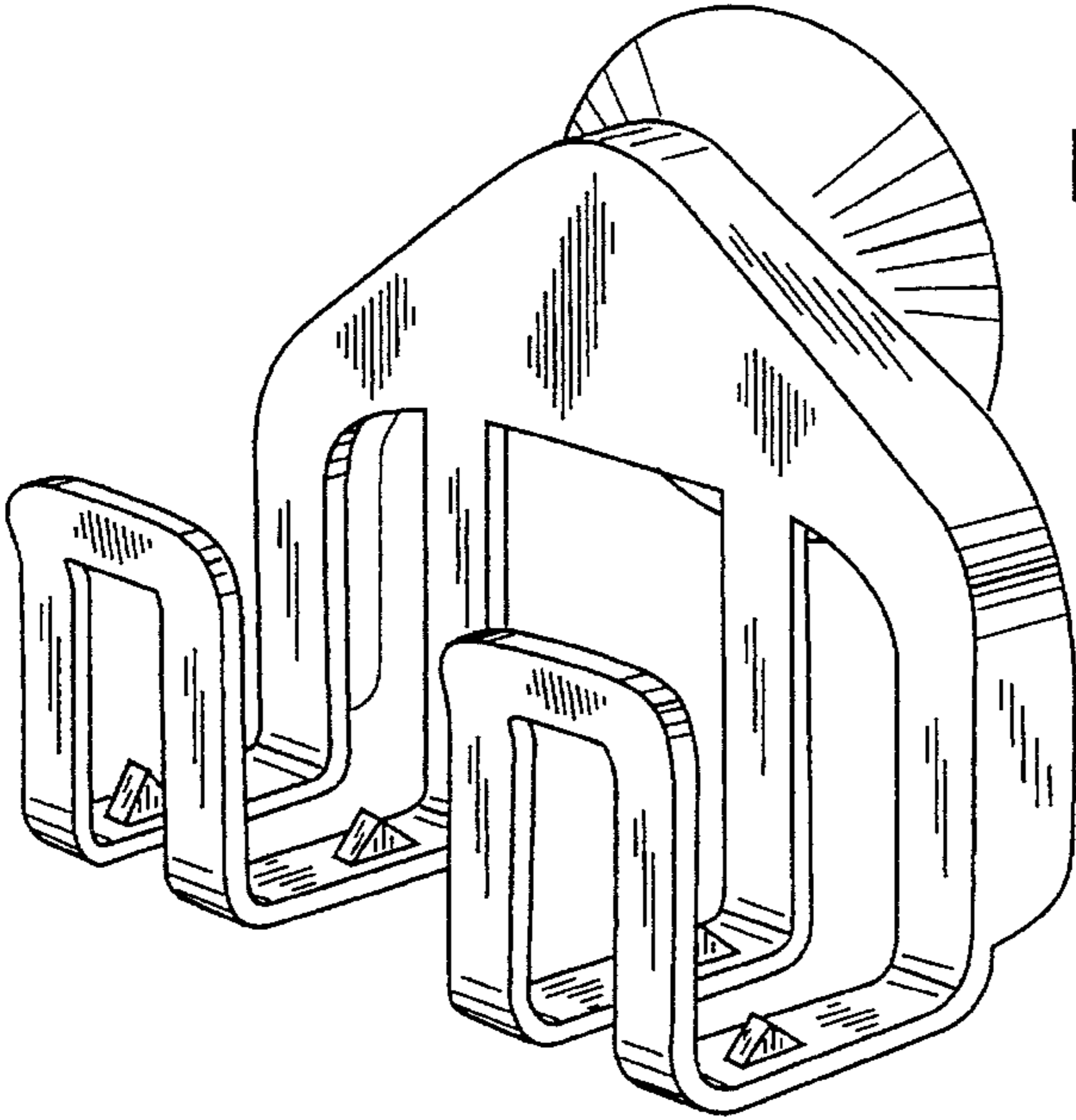


FIG. 1

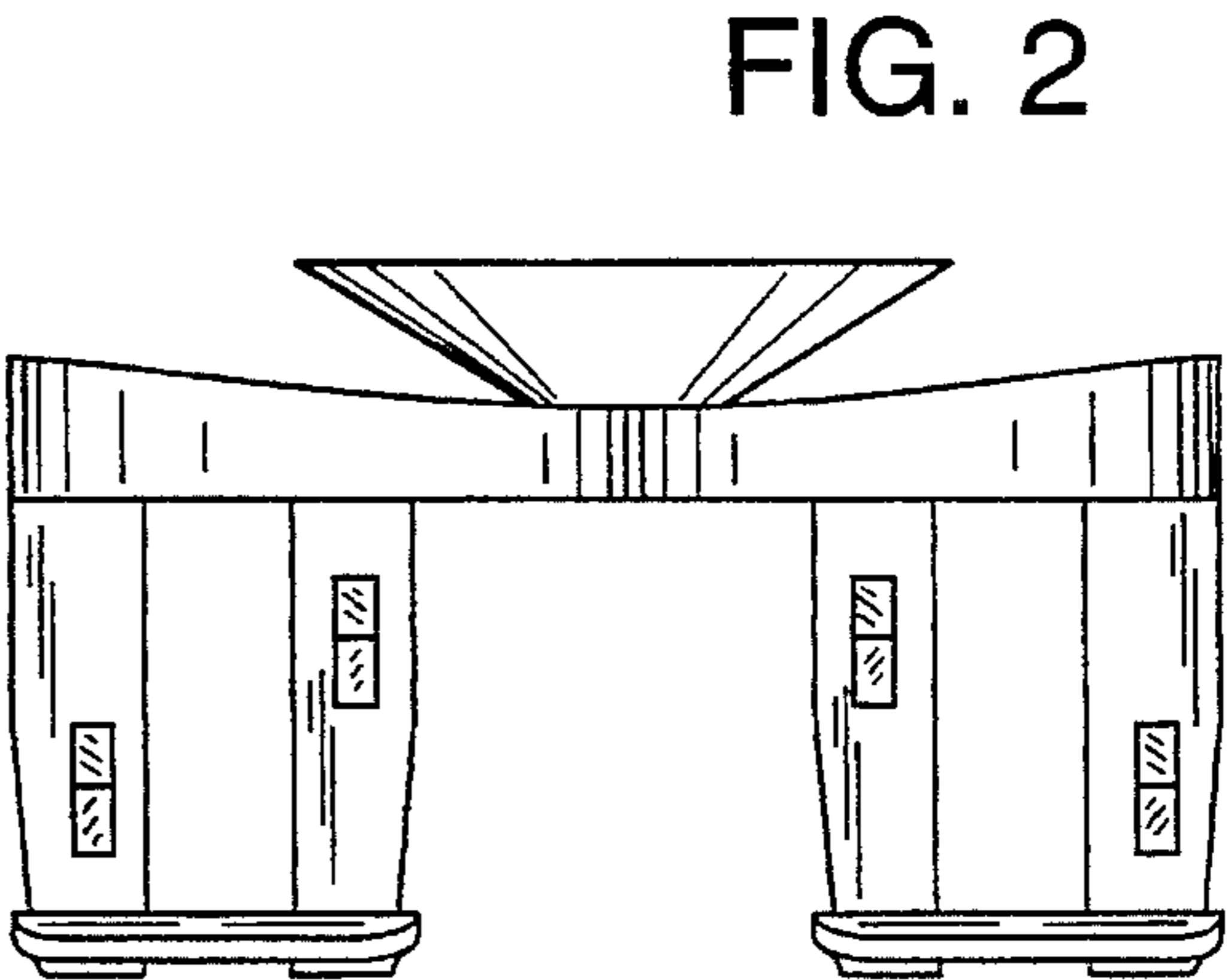


FIG. 2

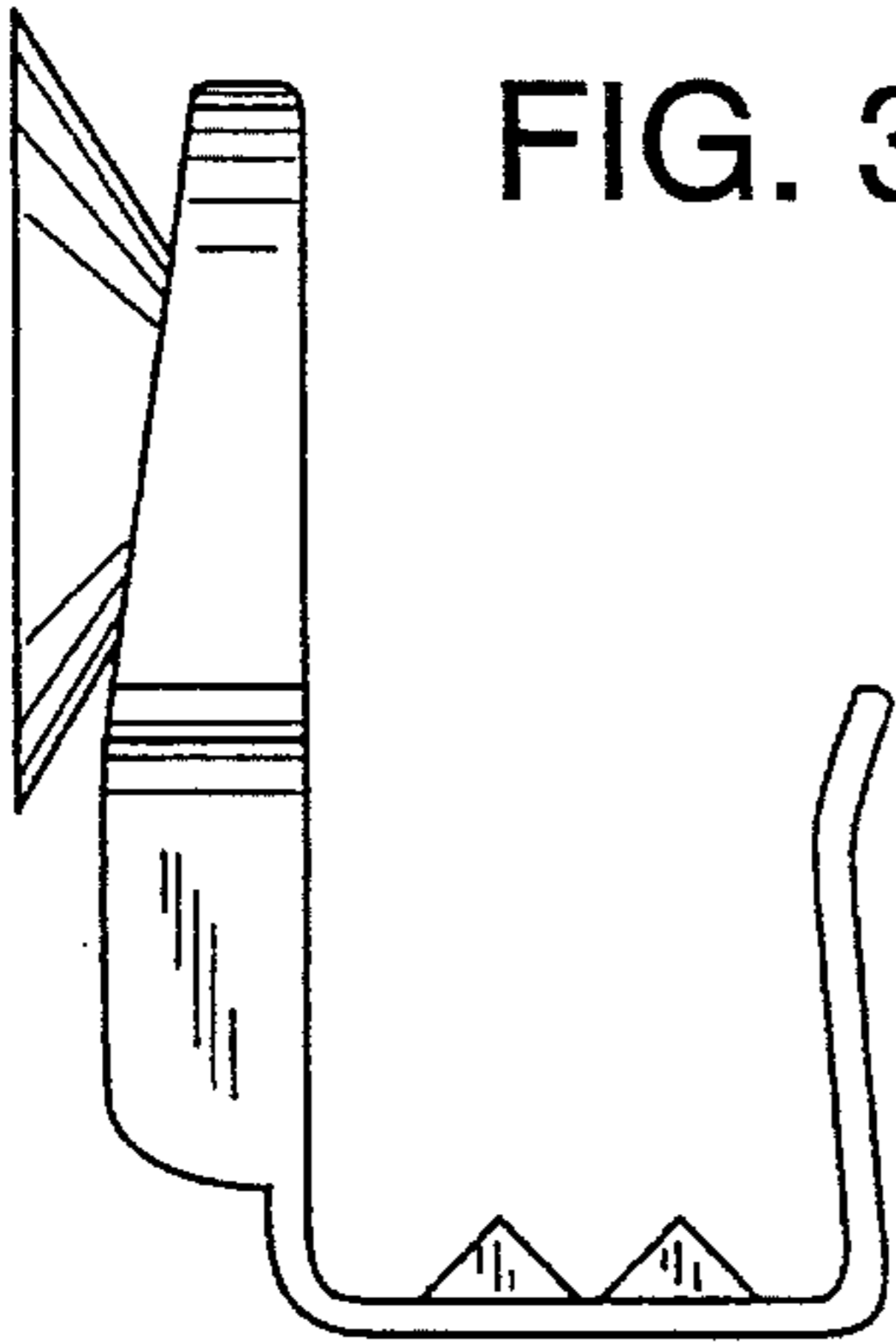


FIG. 3

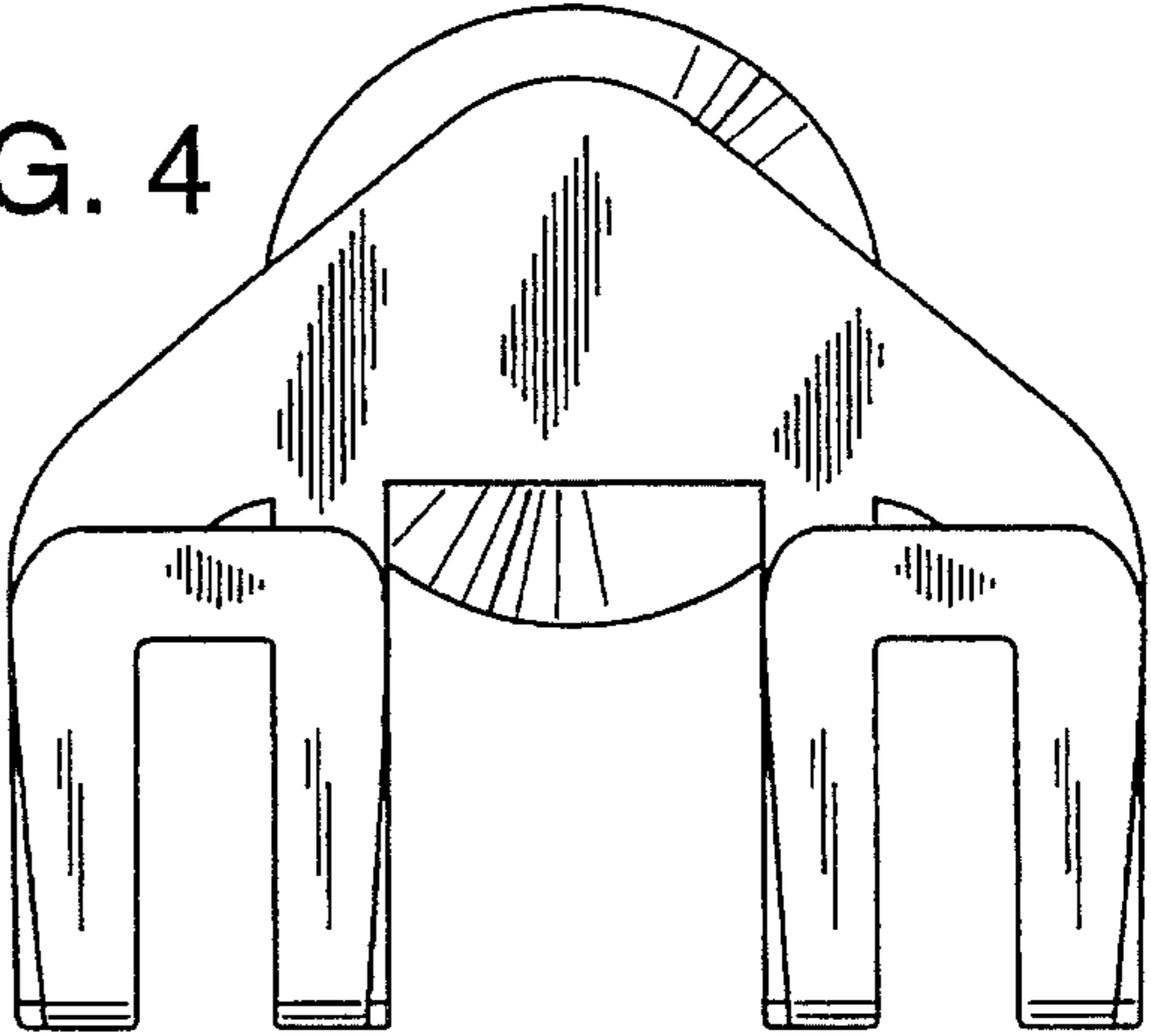


FIG. 4

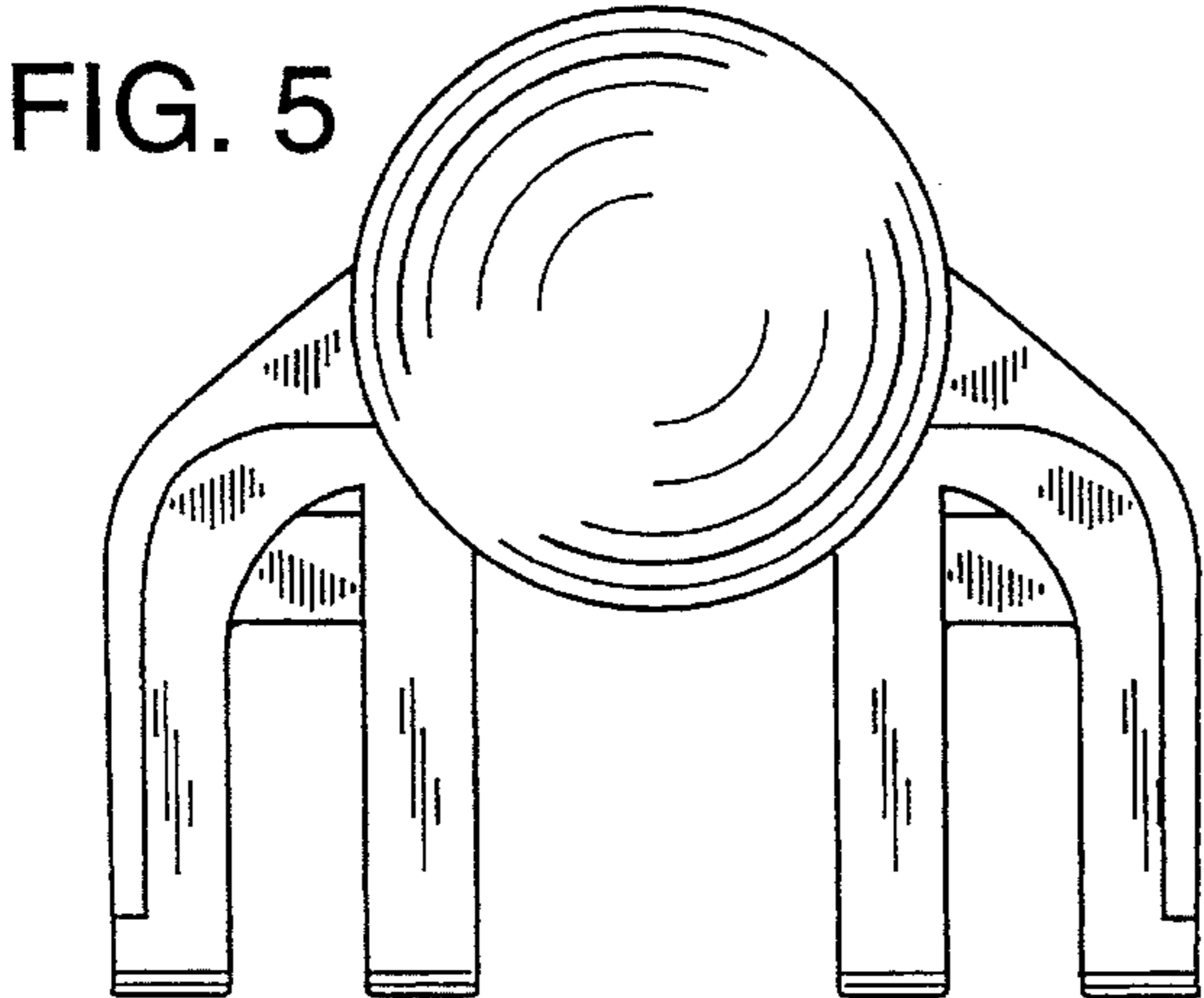


FIG. 5

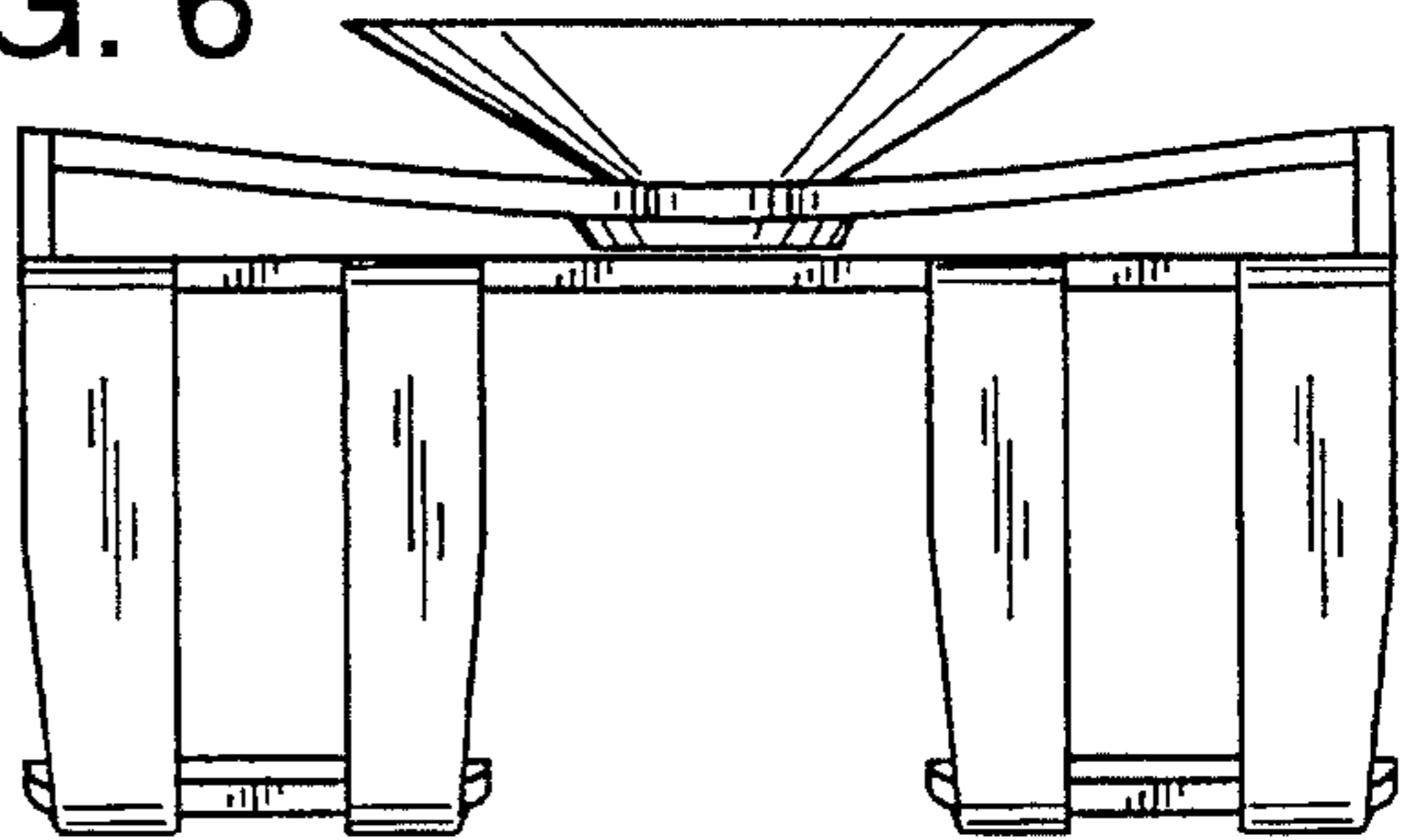


FIG. 6