



US00D369260S

United States Patent [19]

Cochrane et al.

[11] Patent Number: **Des. 369,260**

[45] Date of Patent: ****Apr. 30, 1996**

[54] **WORKBENCH EXTENDER**

5,186,228 2/1993 Stafford .

[76] Inventors: **Fred Cochrane; Coleen Hoekstra**,
both of P.O. Box 85, 35 W. Main St.,
Hillsborough, N.H. 03244

FOREIGN PATENT DOCUMENTS

442519 4/1927 Germany 144/286 R
3425443 1/1986 Germany 144/286 R

[**] Term: **14 Years**

Primary Examiner—Janice E. Seeger
Attorney, Agent, or Firm—Terry M. Gernstein

[21] Appl. No.: **25,665**

[57] CLAIM

[22] Filed: **Jul. 7, 1994**

The ornamental design for a workbench extender, as shown and described.

[52] U.S. Cl. **D6/509**; D6/491; D6/511;
D15/133; D15/141

[58] Field of Search D6/480–489, 429–431,
D6/400; 108/64, 65, 69, 78, 90, 191; 144/286 R,
287, 286 A; D15/127, 133, 141

DESCRIPTION

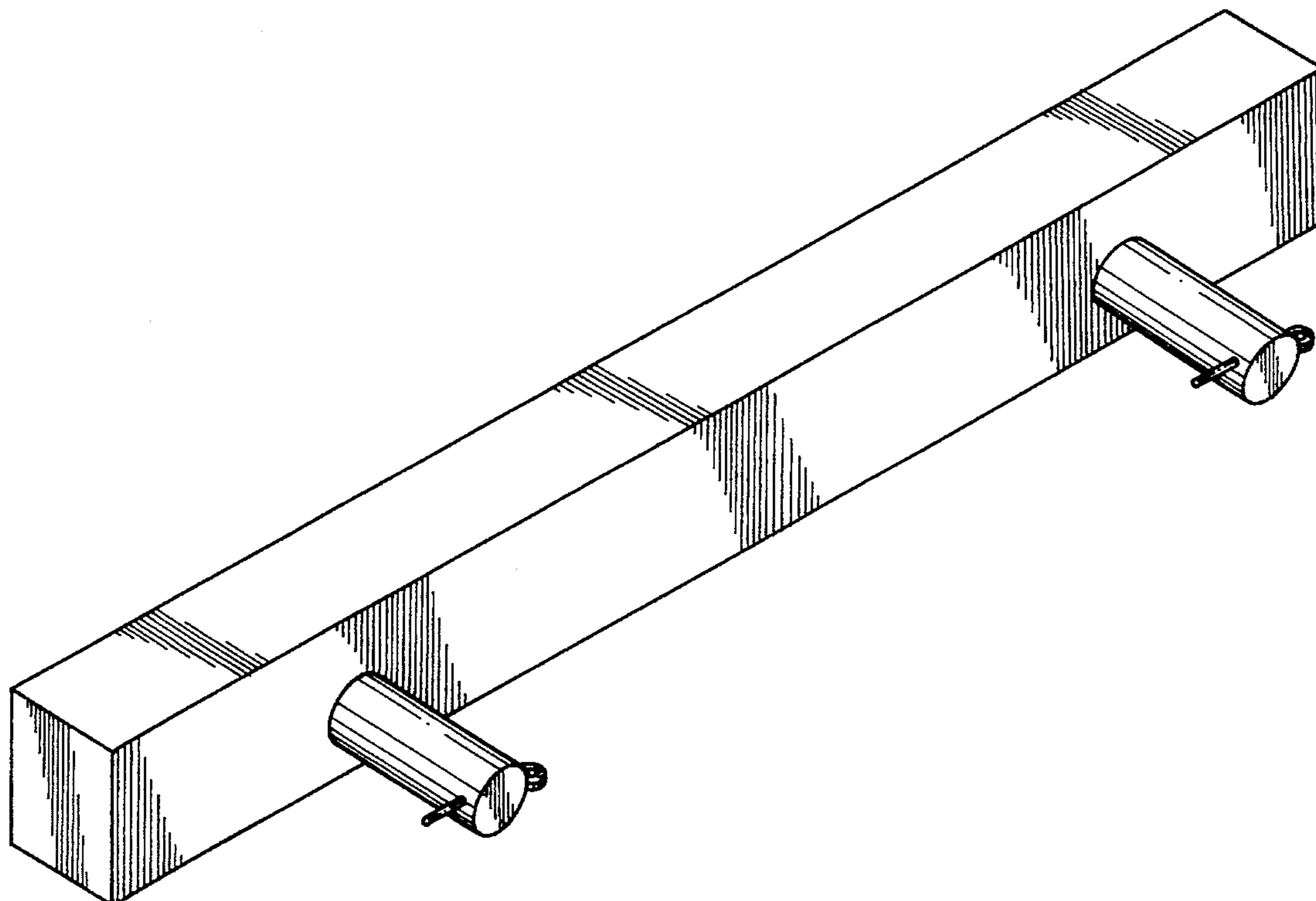
FIG. 1 is a front, top and side perspective view of the workbench extender showing our new design;
FIG. 2 is a front elevational view thereof;
FIG. 3 is a rear elevational view thereof;
FIG. 4 is a side elevational view thereof;
FIG. 5 is a side elevational view thereof; and,
FIG. 6 is a top plan view thereof, the bottom view being a mirror image of the top view shown in FIG. 6.

[56] References Cited

U.S. PATENT DOCUMENTS

D. 279,736 7/1985 Zastera et al. D6/400
D. 281,328 11/1985 Irelan et al. D15/127
1,552,340 9/1925 Paul 144/286 A
5,009,255 4/1991 Fournel 144/286 A
5,067,535 11/1991 Wolff .
5,105,862 4/1992 Skinner .

1 Claim, 3 Drawing Sheets



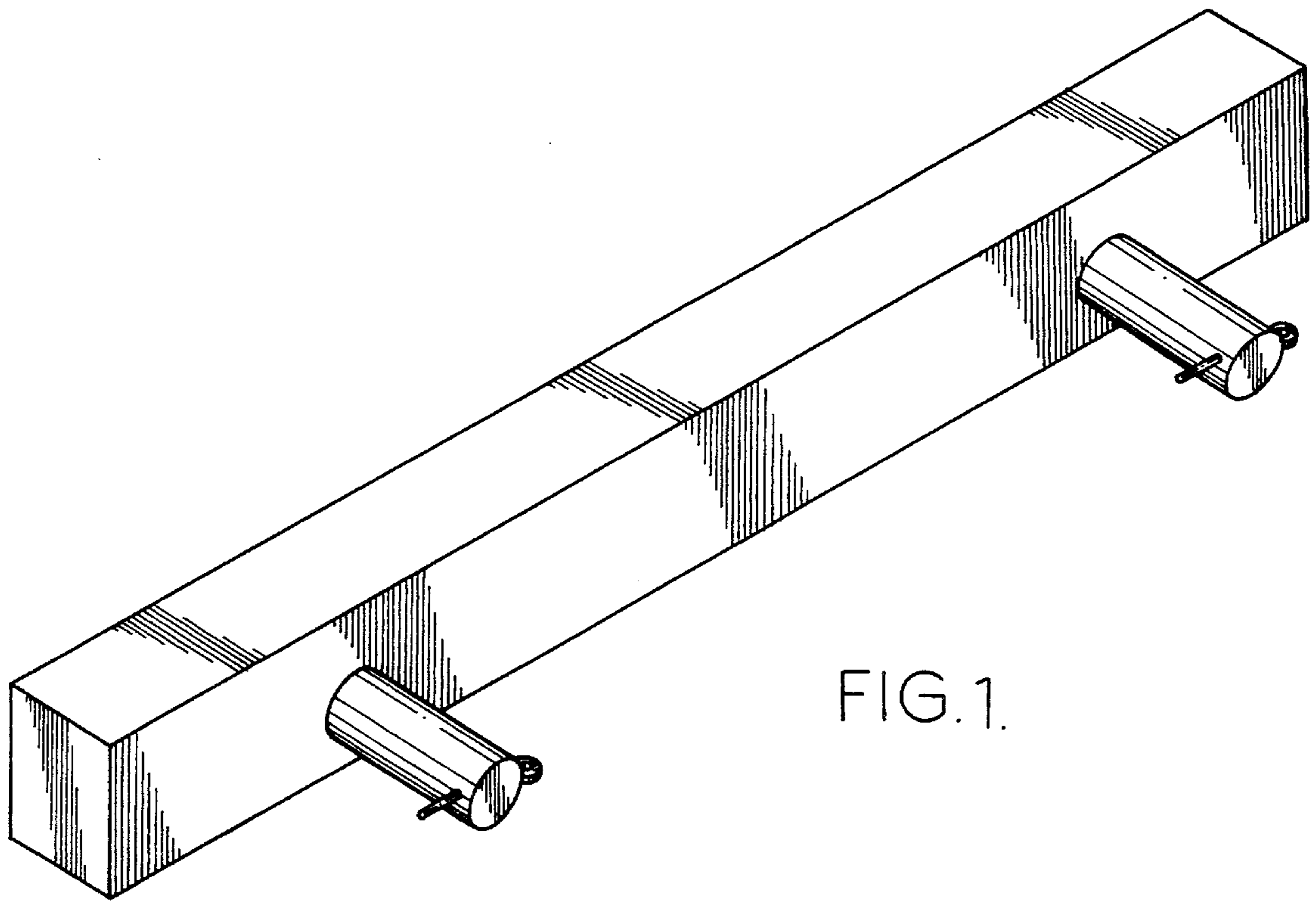


FIG.1.

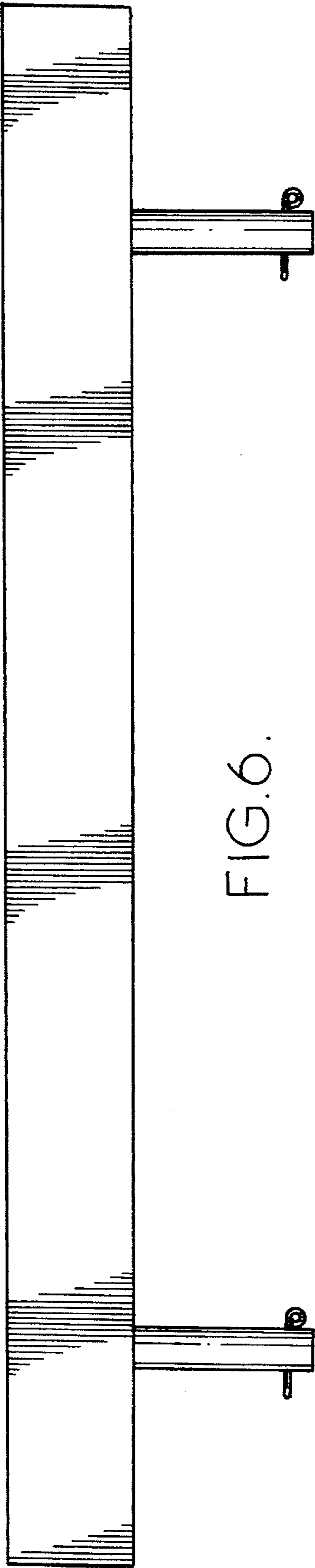


FIG. 6.

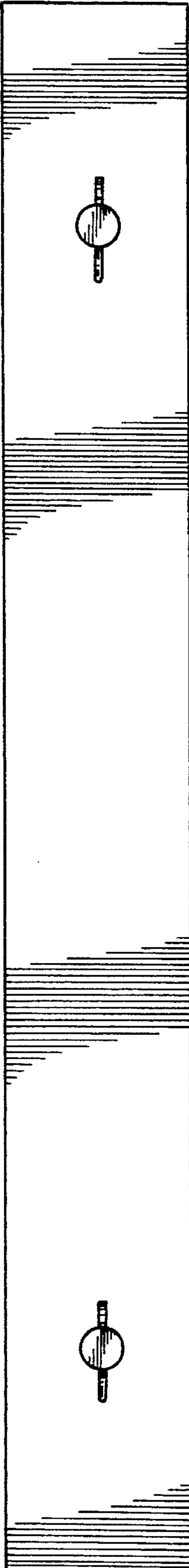


FIG. 2.

FIG. 3.

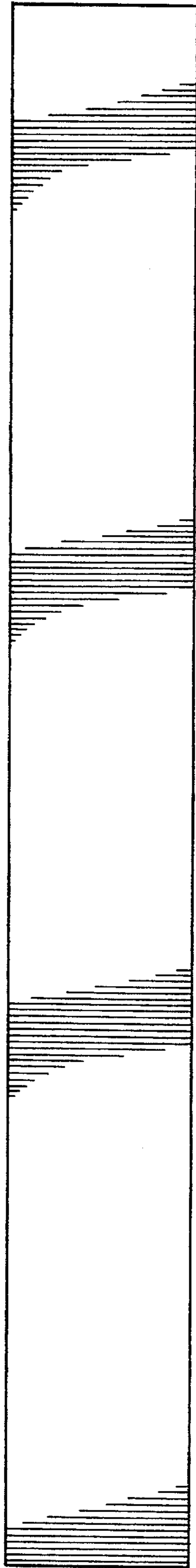


FIG. 4.

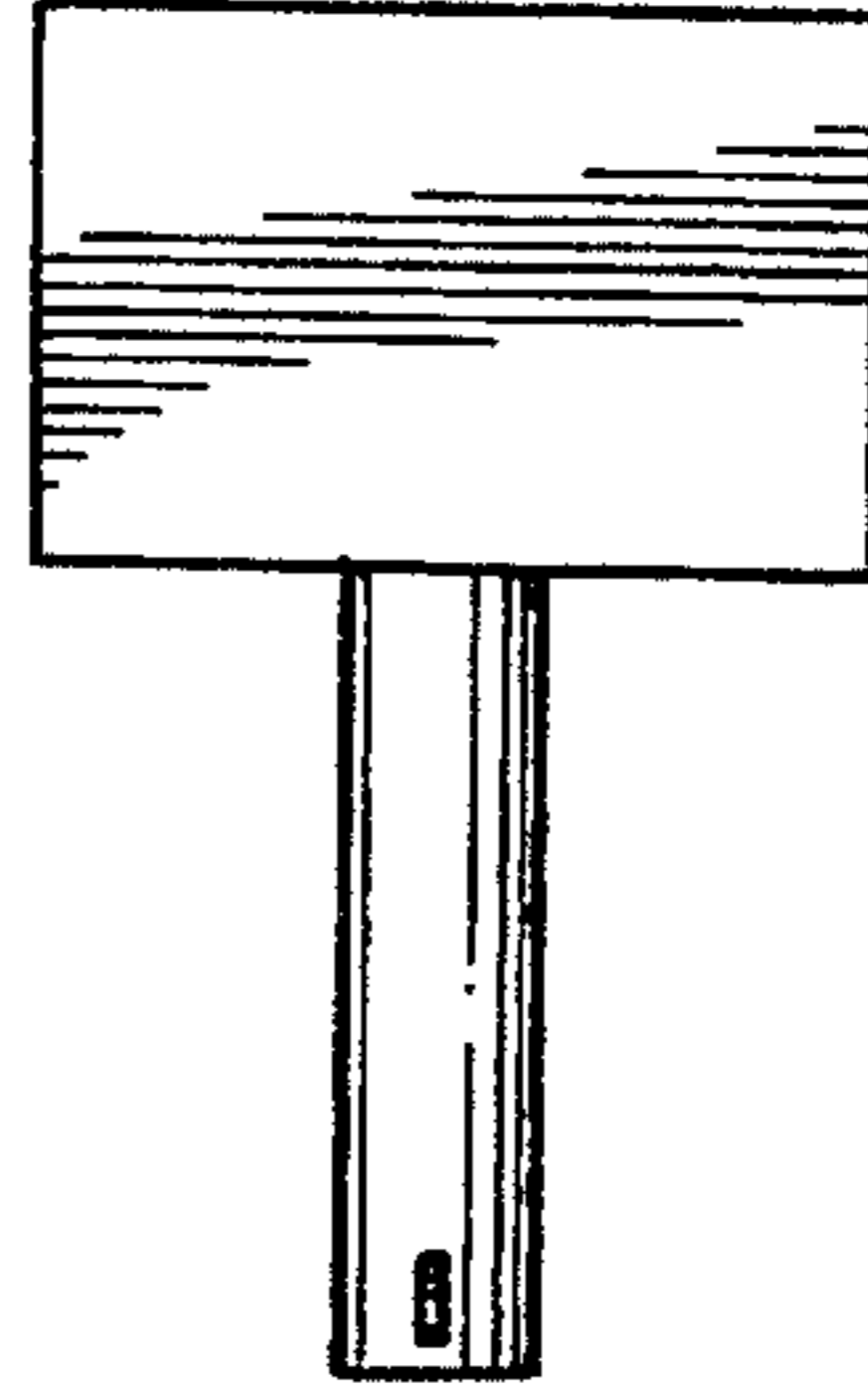


FIG. 5.

