



US00D369255S

**United States Patent** [19]  
**Laslo**

[11] **Patent Number: Des. 369,255**

[45] **Date of Patent: \*\*Apr. 30, 1996**

[54] **SEAT LEG**

Woodward & Lothrop, Jan. 21, 1993, see p. 11 leg on bed, bottom center.

[75] Inventor: **Larry Laslo**, New York, N.Y.

[73] Assignee: **Directional Buying Group, Inc.**, High Point, N.C.

*Primary Examiner*—Martie Thompson  
*Attorney, Agent, or Firm*—Bell, Seltzer, Park & Gibson

[\*\*] Term: **14 Years**

[21] Appl. No.: **35,905**

[57] **CLAIM**

The ornamental design for a seat leg, as shown and described.

[22] Filed: **Mar. 9, 1995**

[52] **U.S. Cl.** ..... **D6/495**

[58] **Field of Search** ..... D6/495, 496, 497,  
D6/498, 499; 248/188.8, 188.9

**DESCRIPTION**

[56] **References Cited**

**U.S. PATENT DOCUMENTS**

D. 10,638	4/1878	Holly	.....	D6/495	X
D. 10,639	4/1878	Norman	.....	D6/495	X
D. 27,509	8/1897	Chesson	.....	D6/495	X
D. 338,223	8/1993	Mine	.....	D6/495	X
3,883,257	5/1975	Delafield	.....	D6/495	X
5,170,972	12/1992	Casals Guell	.....	248/188.9	

FIG. 1 is a perspective view of a seat leg showing my new design;

FIG. 2 is a side elevational view thereof, all other sides being identical thereto;

FIG. 3 is a top plan view thereof; and,

FIG. 4 is a bottom plan view thereof.

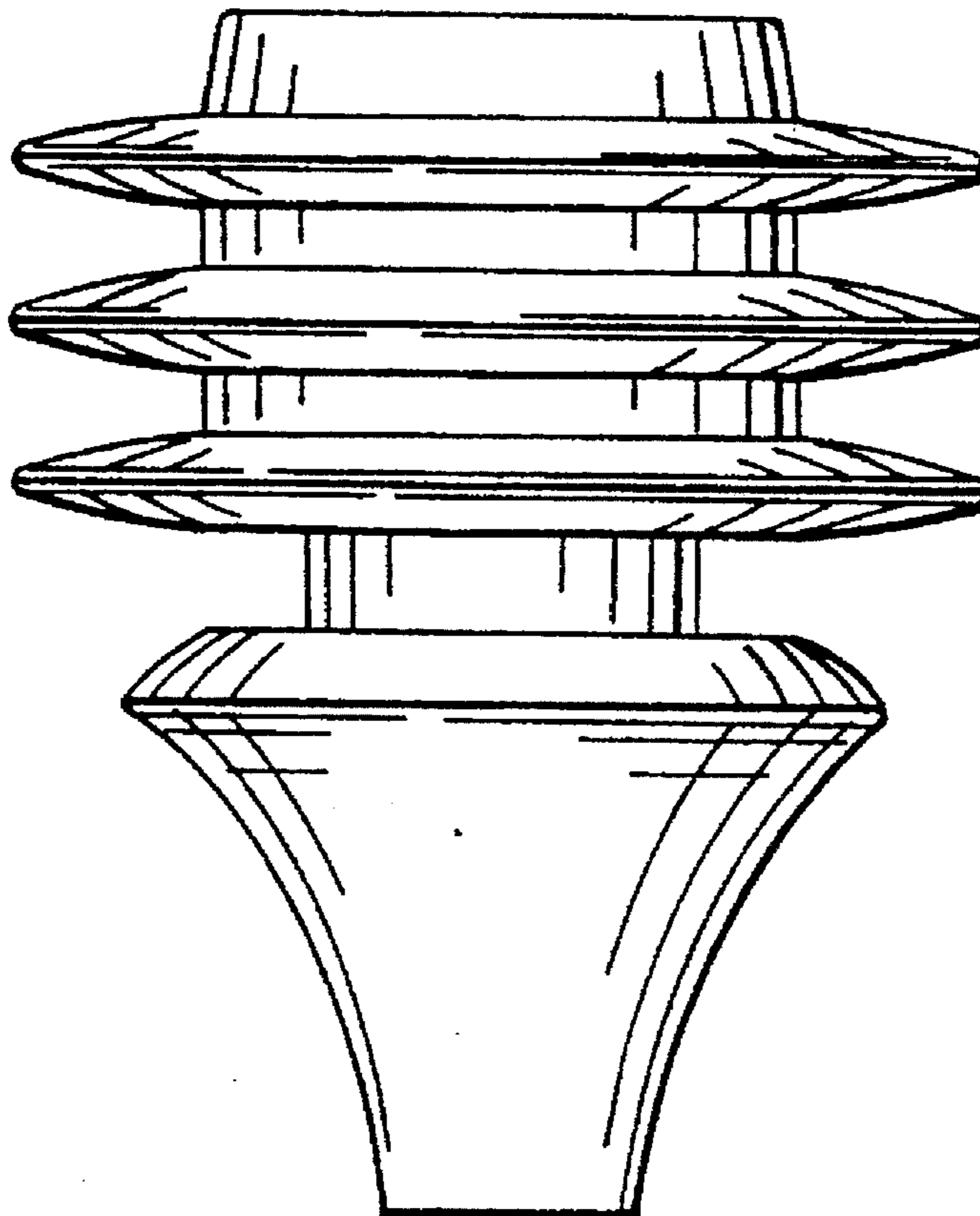
The broken line illustration of a sofa in FIG. 1 is for illustrative purposes only and forms no part of the claimed design.

**OTHER PUBLICATIONS**

Nic. Liesenbein's Sons ® 1921, p. 100, see leg on item #4106 upper left.

Jordan Marsh, Aug. 1992, p. 15, see leg on chair bottom center.

**1 Claim, 1 Drawing Sheet**



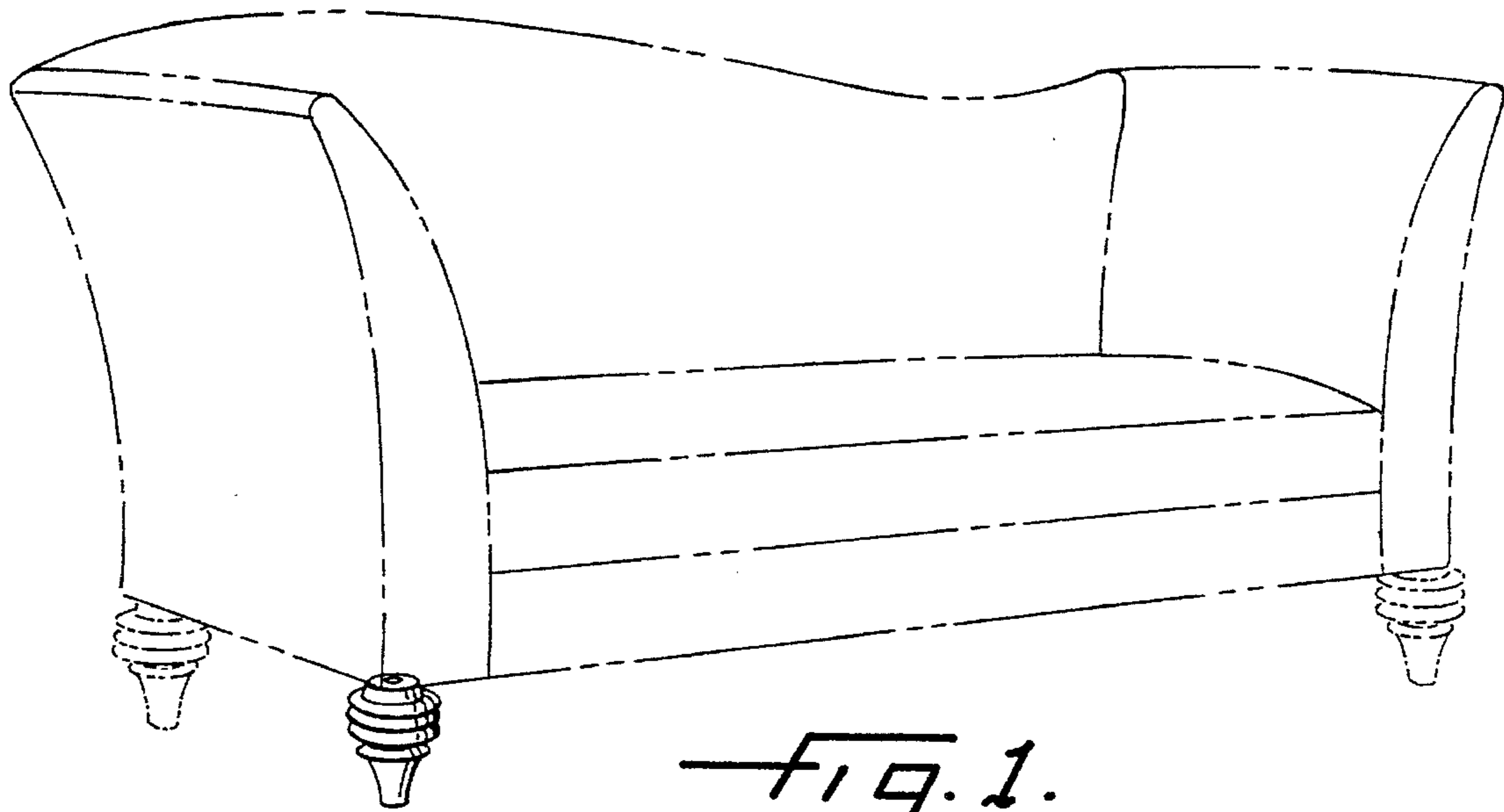


FIG. 1.

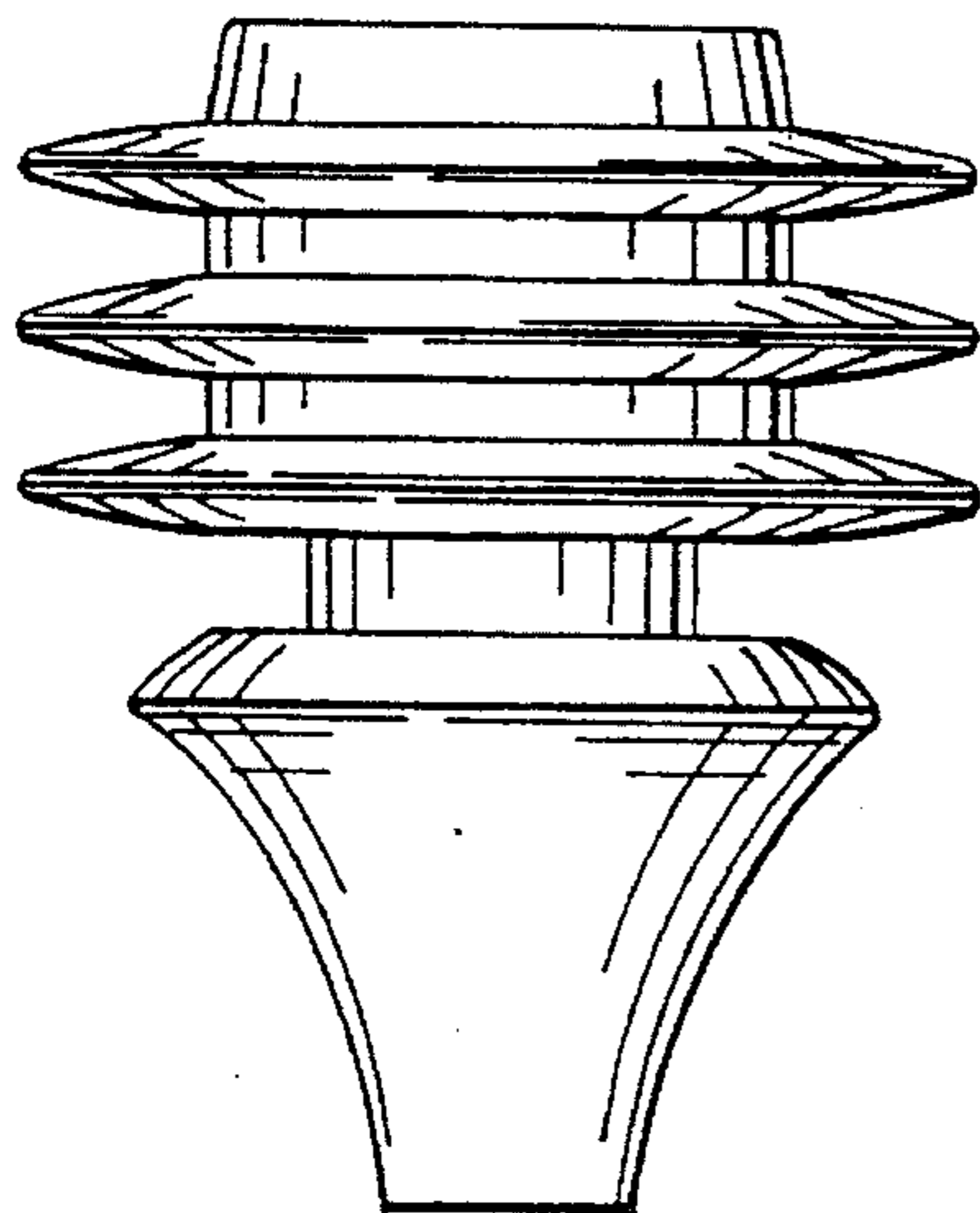


FIG. 2.

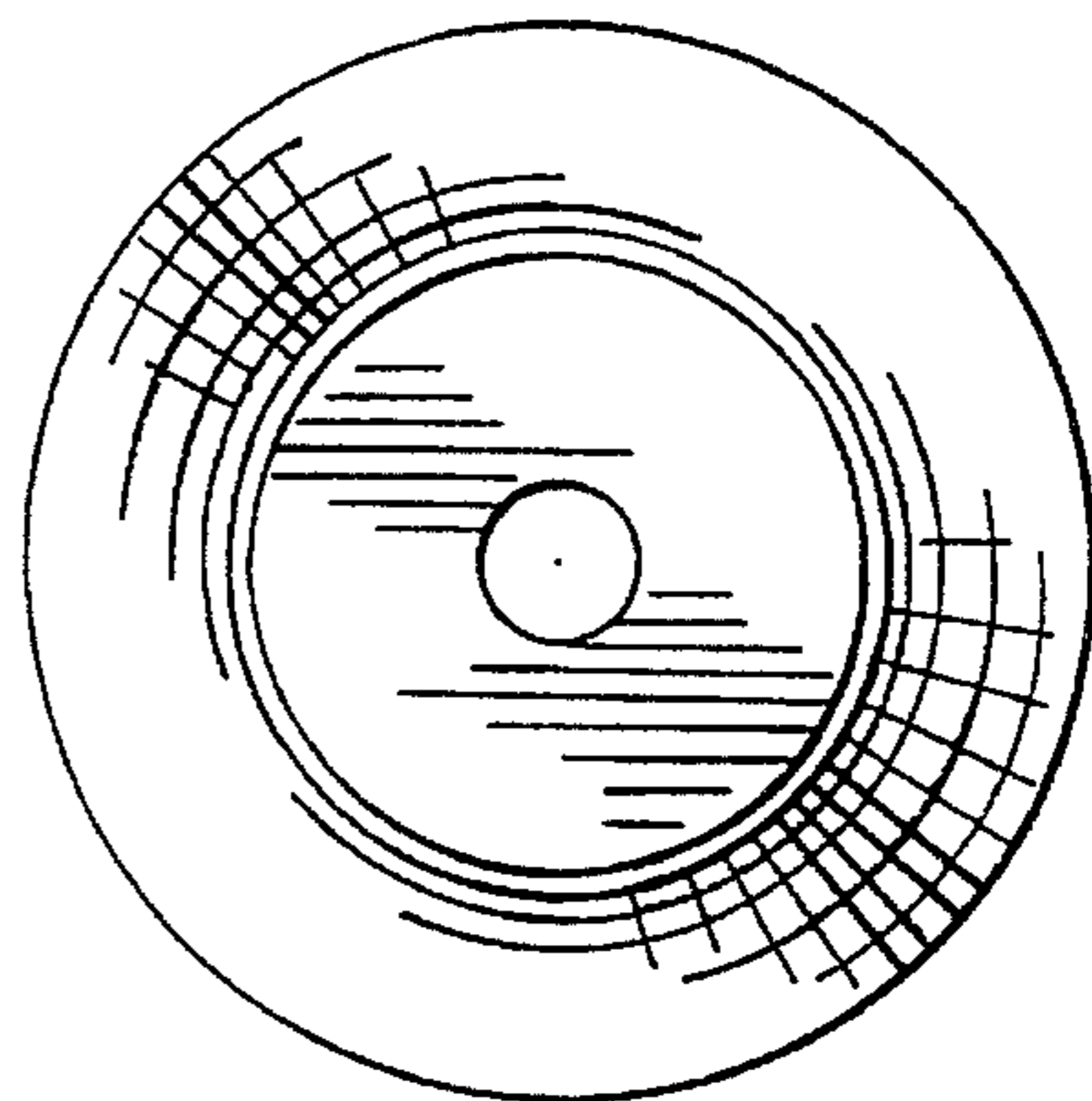


FIG. 3.

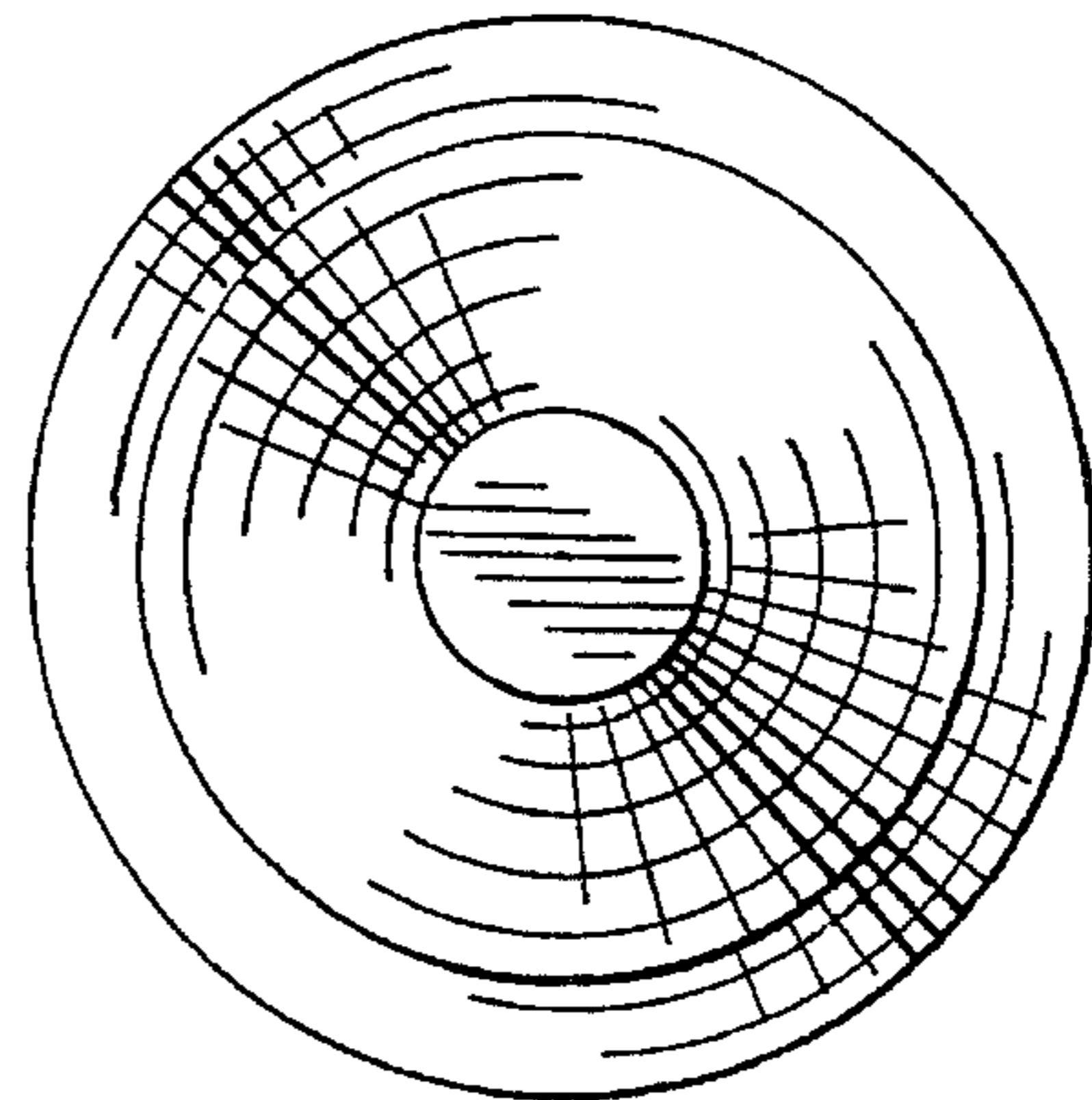


FIG. 4.