



US00D369254S

United States Patent [19]
Martin

[11] **Patent Number: Des. 369,254**
[45] **Date of Patent: **Apr. 30, 1996**

[54] **COMBINED HYGIENE SHIELD AND LIGHT FIXTURE**

[75] Inventor: **Peter C. Martin**, Denver, Colo.

[73] Assignee: **Lew's Inc.**, Denver, Colo.

[**] Term: **14 Years**

[21] Appl. No.: **25,337**

[22] Filed: **Jun. 30, 1994**

[52] **U.S. Cl.** **D6/491**

[58] **Field of Search** D6/481, 491; 312/140.1,
312/140.2, 116, 117, 126, 284

[56] **References Cited**

U.S. PATENT DOCUMENTS

D. 300,591	4/1989	Marchais	D6/481
D. 324,658	3/1992	Crowley	D6/405
3,868,155	2/1975	Cherubini	312/284
4,892,366	1/1990	Yerman	312/140.4

Primary Examiner—Janice E. Seeger

Attorney, Agent, or Firm—Frank P. Grassler

[57] **CLAIM**

The ornamental design for the combined hygiene shield and light fixture, as shown and described.

DESCRIPTION

FIG. 1 is a perspective view of a combined hygiene shield

and lighting fixture, showing my new design;

FIG. 2 is a side elevational view, the opposite side being identical;

FIG. 3 is a front elevational view, the rear being identical;

FIG. 4 is a top plan view thereof;

FIG. 5 is a bottom plan view thereof;

FIG. 6 is a front elevational view, the broken lines being for environmental purposes only and forming no part of the claimed design;

FIG. 7 is a side elevational view, the broken lines being for environmental purposes only and forming no part of the claimed design;

FIG. 8 is a perspective view, showing an alternate embodiment of my new design;

FIG. 9 is a right side elevational view thereof;

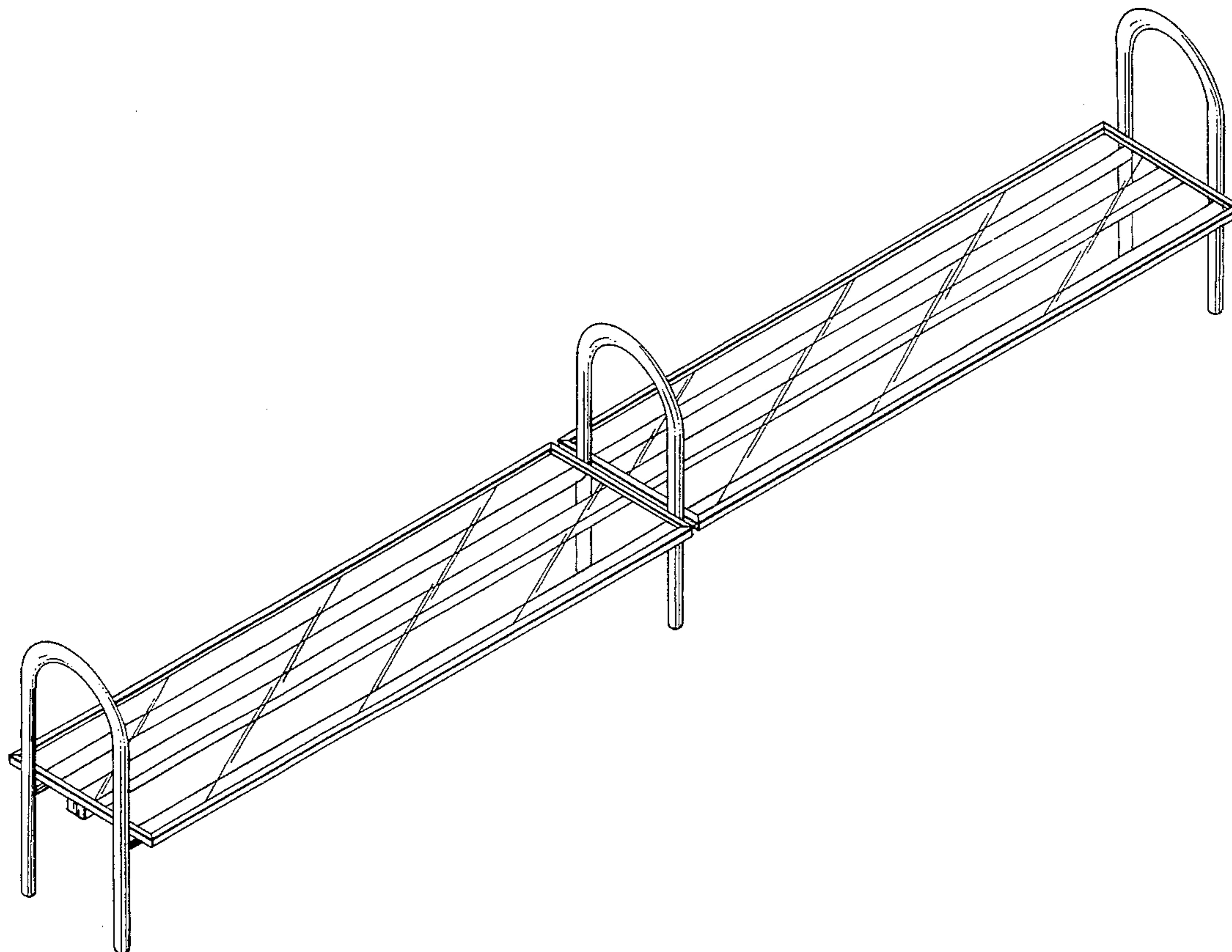
FIG. 10 is a left side elevational view thereof;

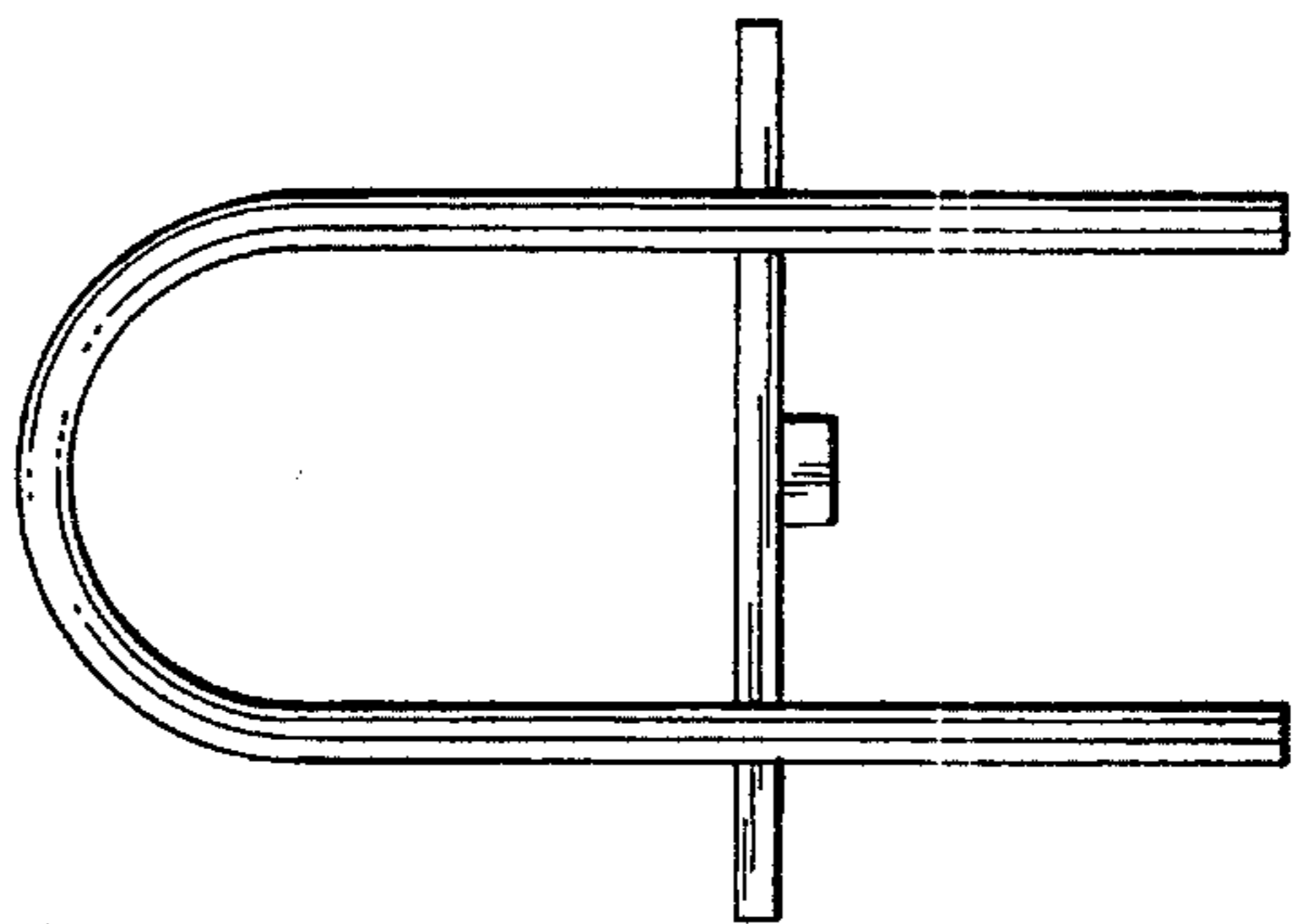
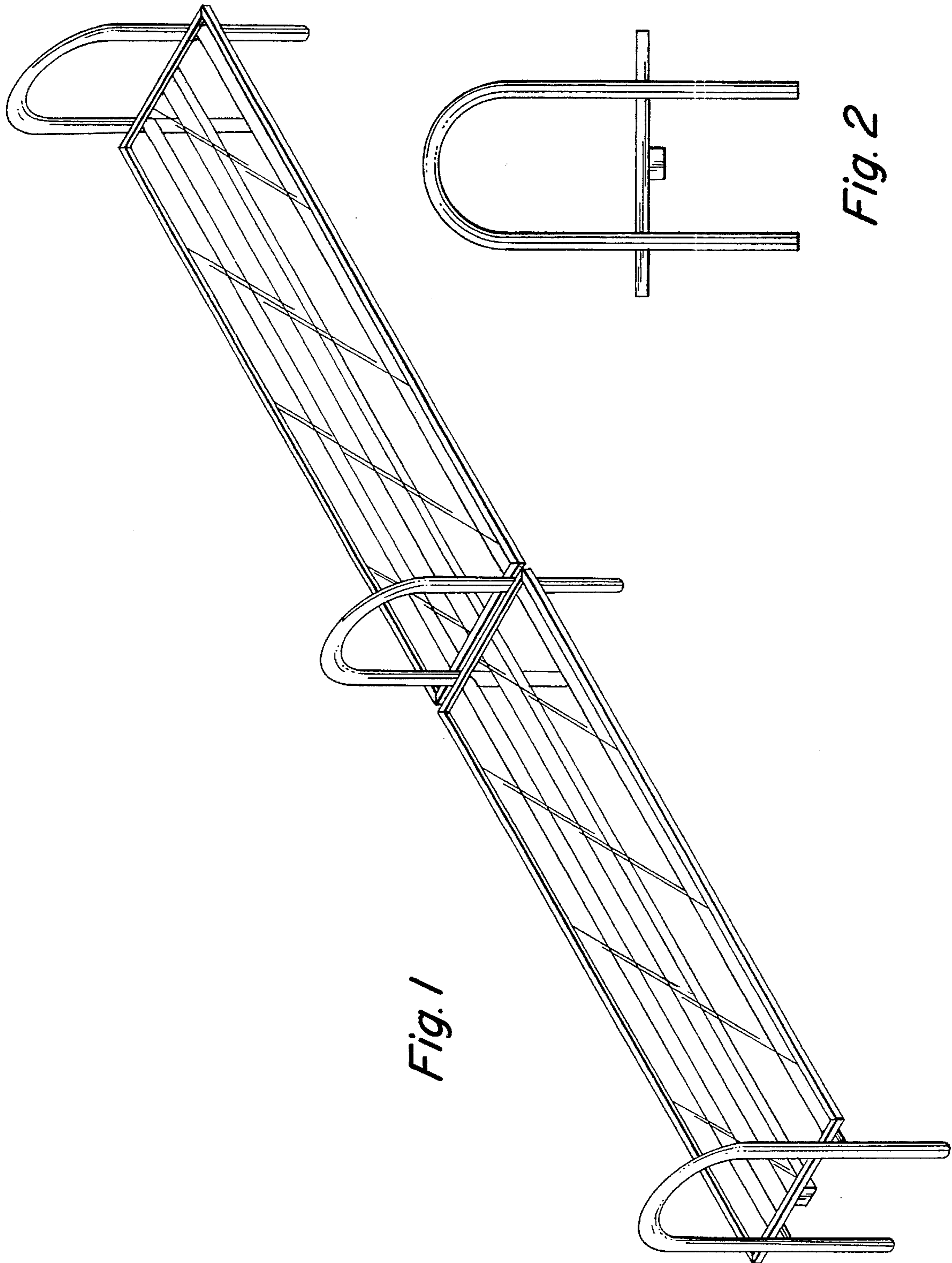
FIG. 11 is a front elevational view thereof;

FIG. 12 is a top plan view thereof; and,

FIG. 13 is a bottom plan view thereof.

1 Claim, 5 Drawing Sheets





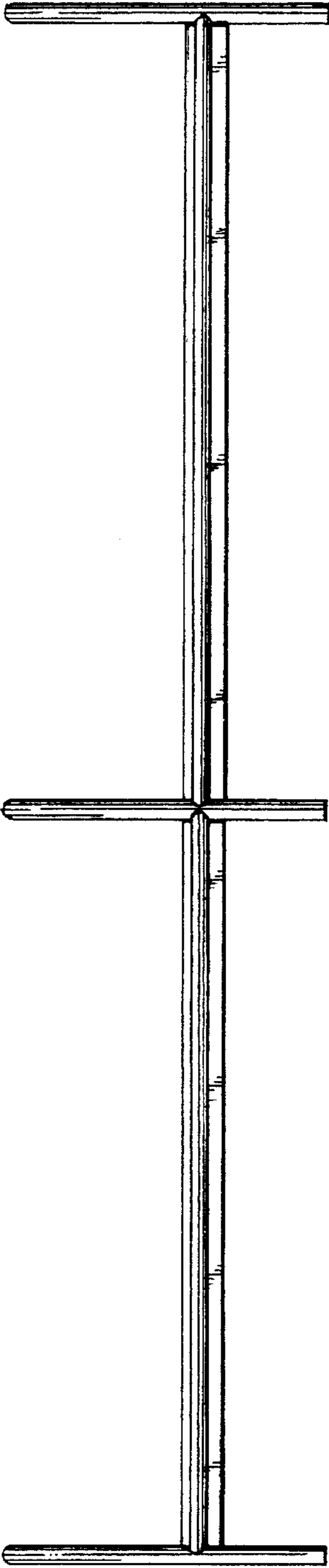


Fig. 3

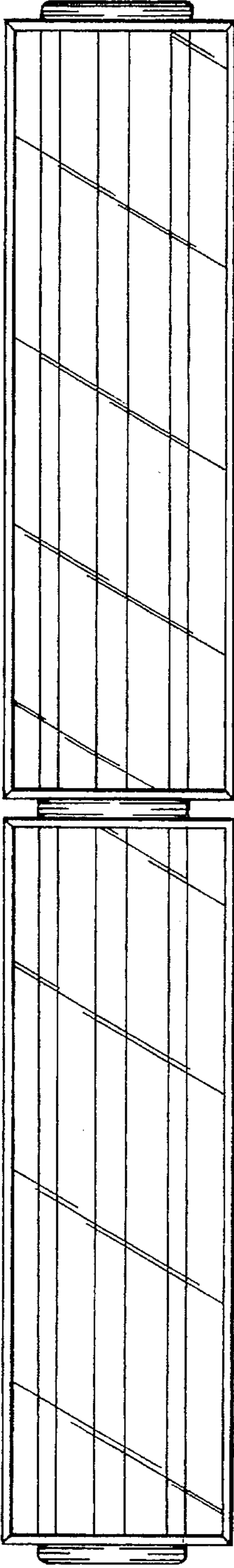


Fig. 4

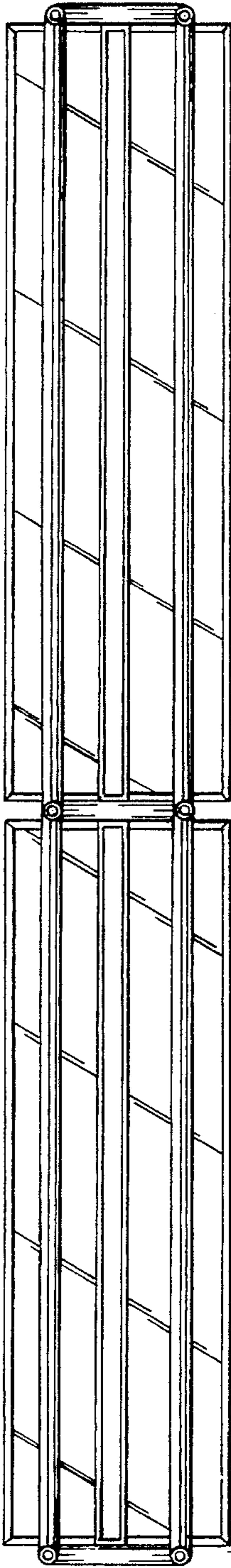


Fig. 5

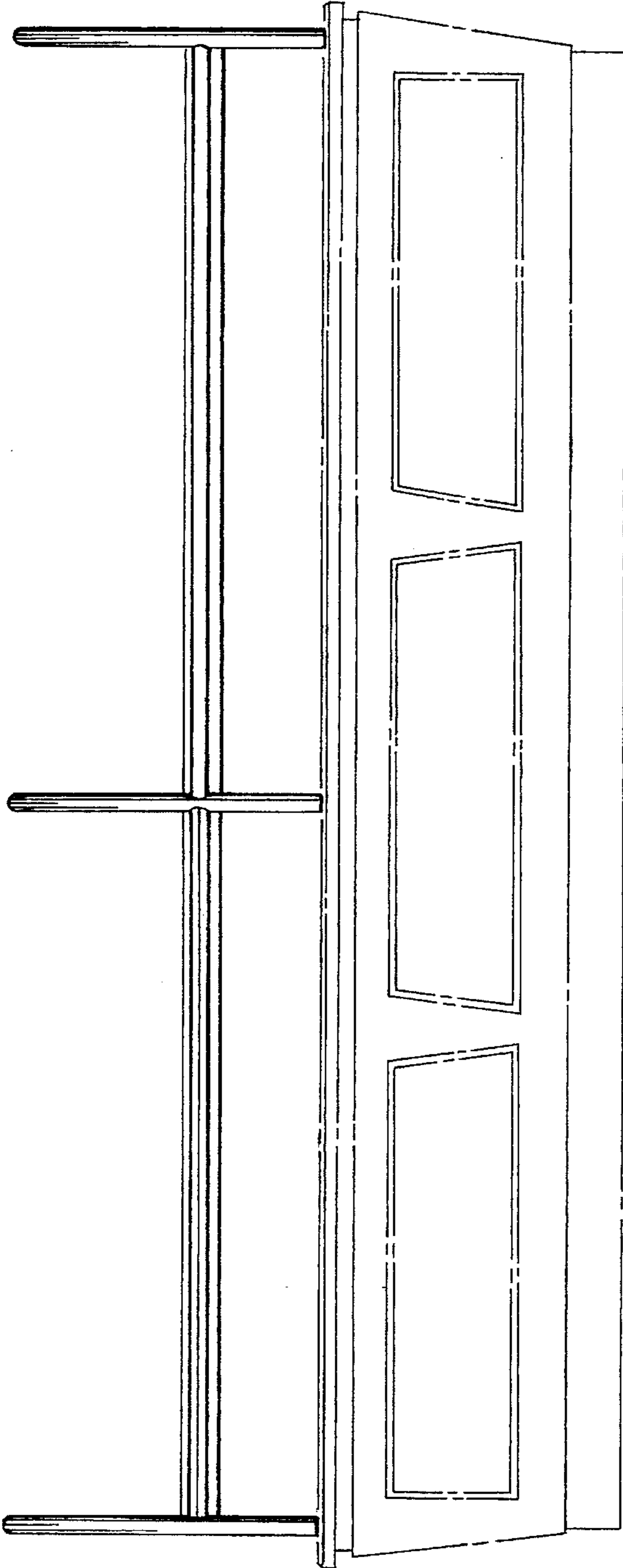


Fig. 6

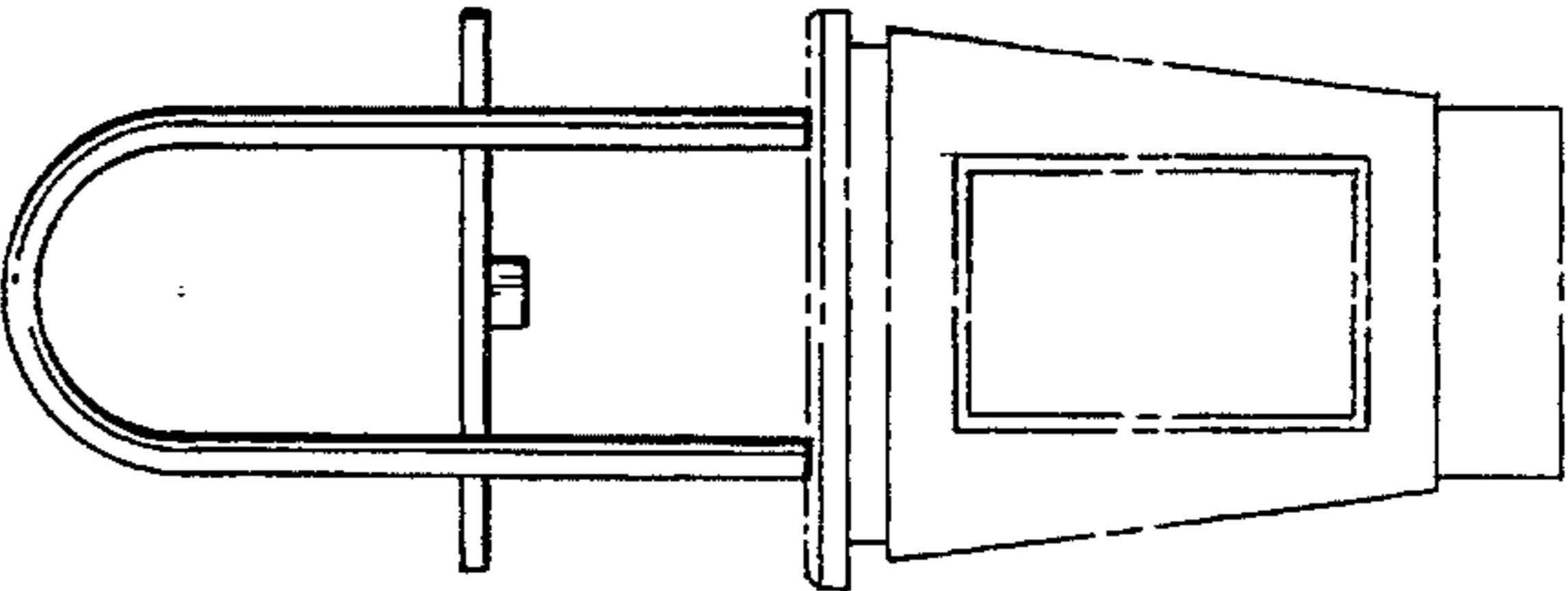
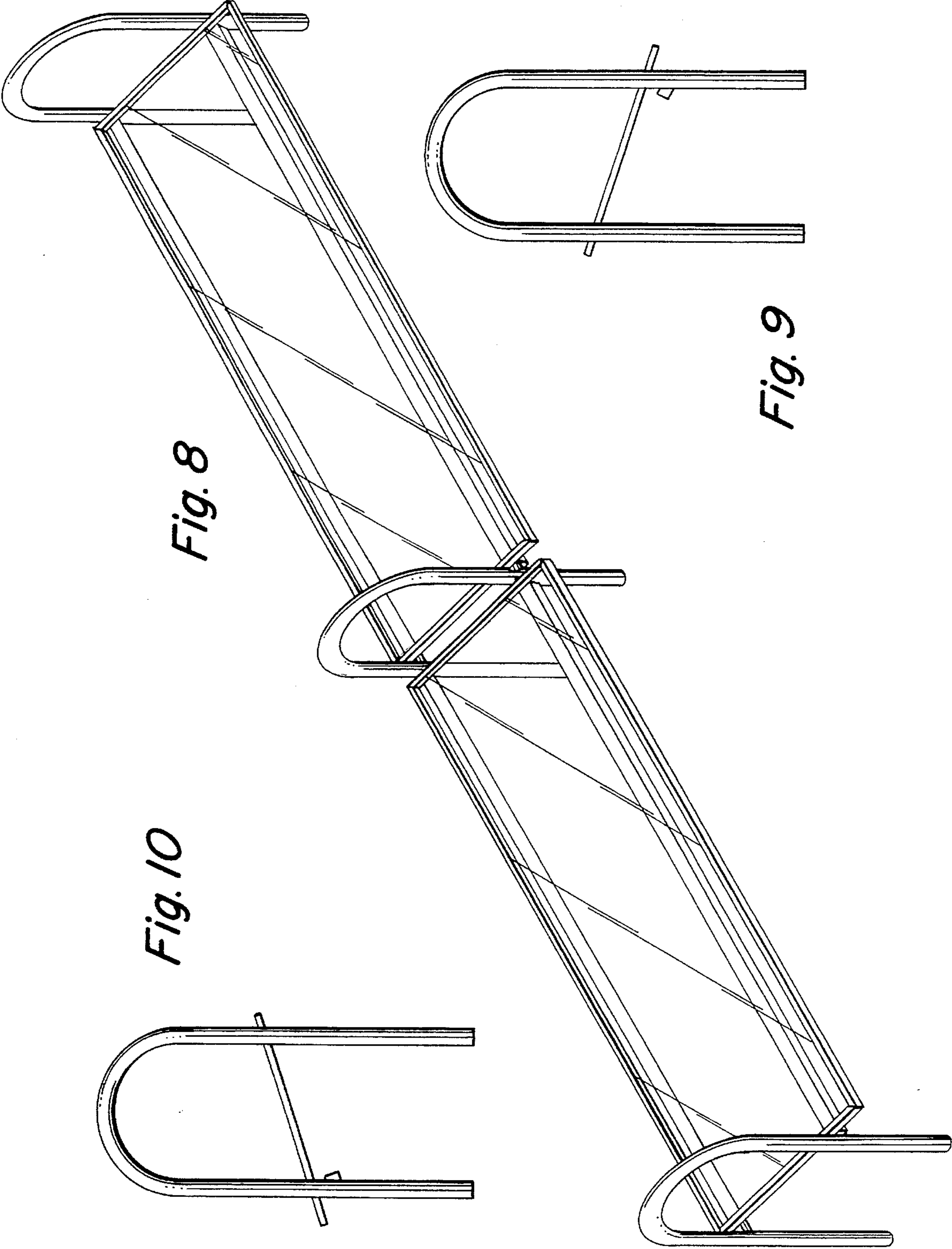


Fig. 7



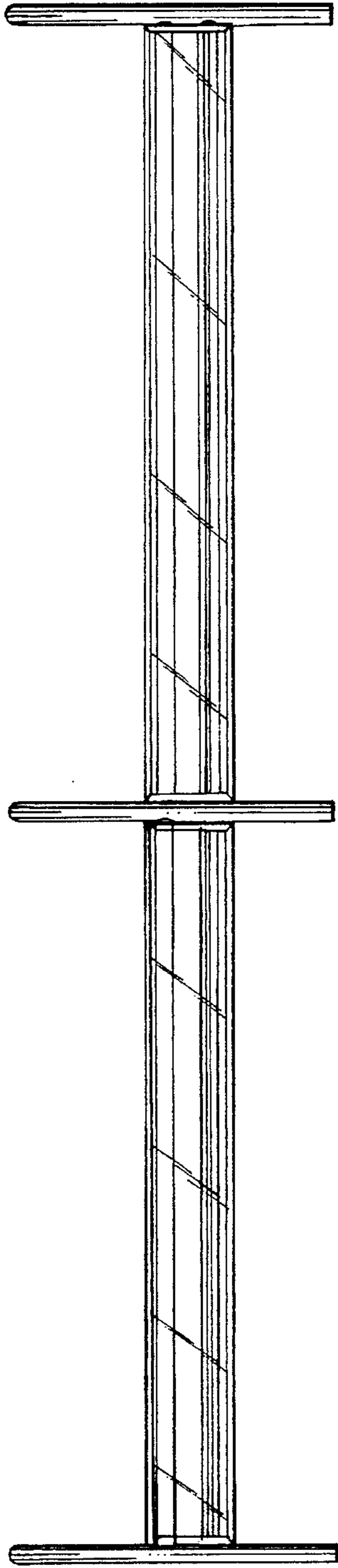


Fig. 11

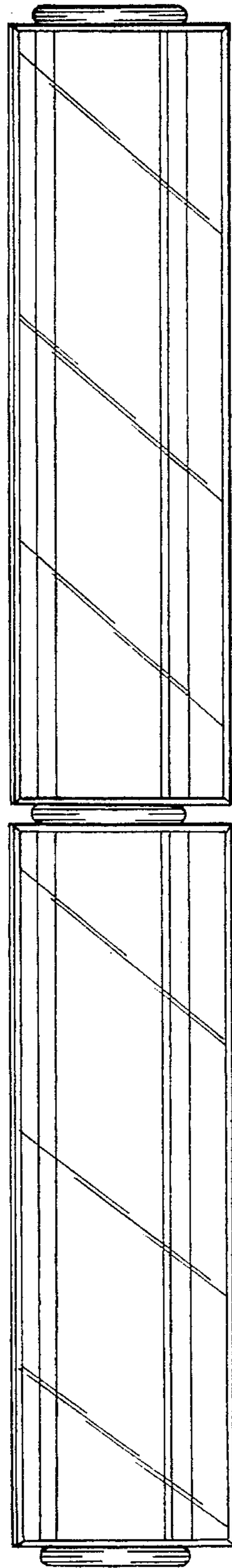


Fig. 12

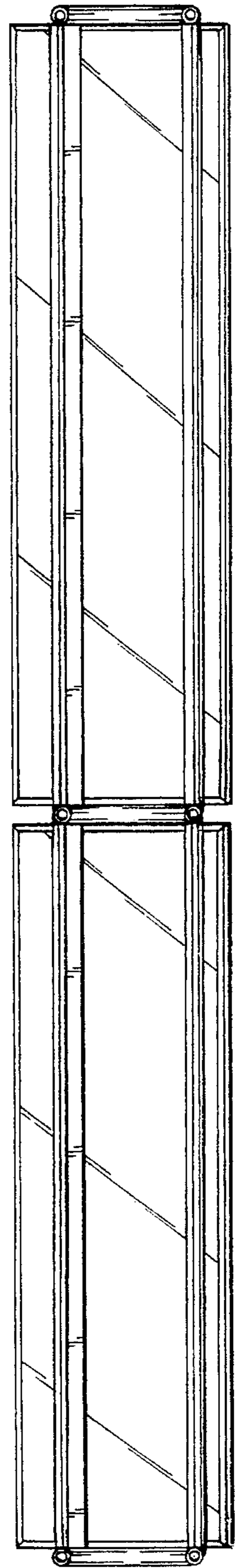


Fig. 13