



US00D369244S

# United States Patent [19] Baker

[11] Patent Number: **Des. 369,244**

[45] Date of Patent: **\*\*Apr. 30, 1996**

[54] PICTURE FRAME

2,126,558 8/1938 Kaul ..... 40/152.1

[76] Inventor: **Elaine W. Baker**, 3300 Coffey La.,  
Santa Rosa, Calif. 95403

*Primary Examiner*—Janice E. Seeger  
*Attorney, Agent, or Firm*—Larry D. Johnson

[\*\*] Term: **14 Years**

[57] **CLAIM**

[21] Appl. No.: **36,160**

The ornamental design for a picture frame, as shown and described.

[22] Filed: **Mar. 14, 1995**

**DESCRIPTION**

[52] U.S. Cl. .... **D6/303**

[58] Field of Search ..... D6/300-314; 40/152,  
40/152.1, 153, 154, 158.1, 160

FIG. 1 is a perspective view of a picture frame showing our new design;

FIG. 2 is a front elevation view thereof;

FIG. 3 is a top plan view thereof;

FIG. 4 is a right side elevational view thereof, the opposite side being a mirror image; and,

FIG. 5 is a bottom plan view thereof.

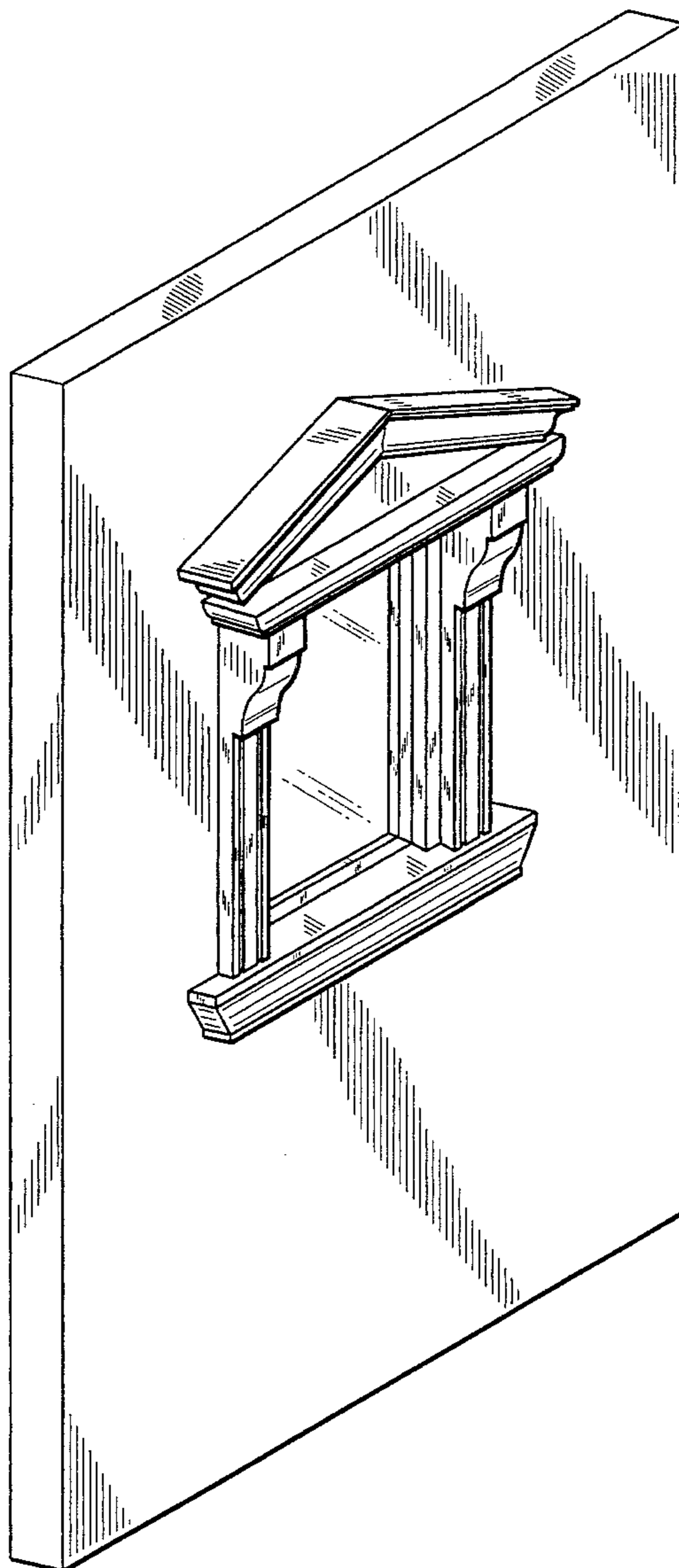
The rear of the article is flat and unornamented.

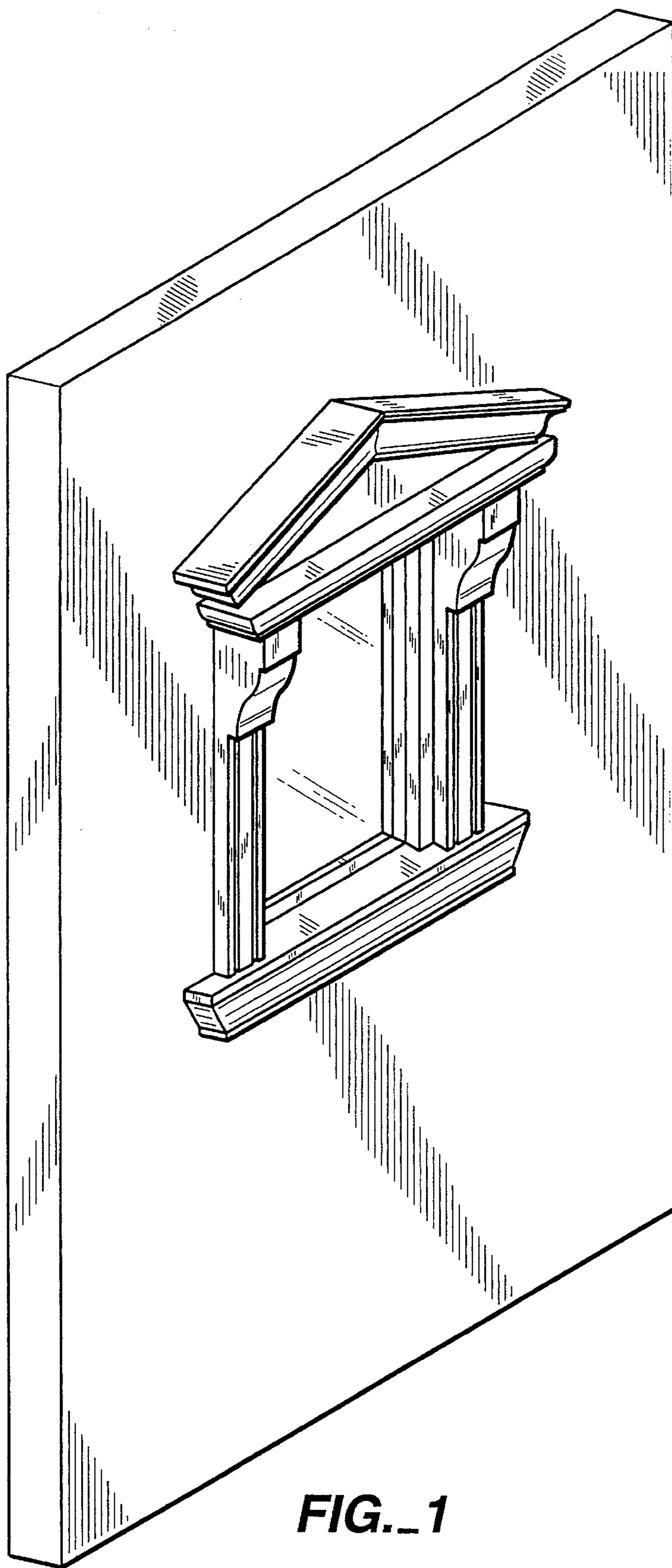
[56] **References Cited**

**U.S. PATENT DOCUMENTS**

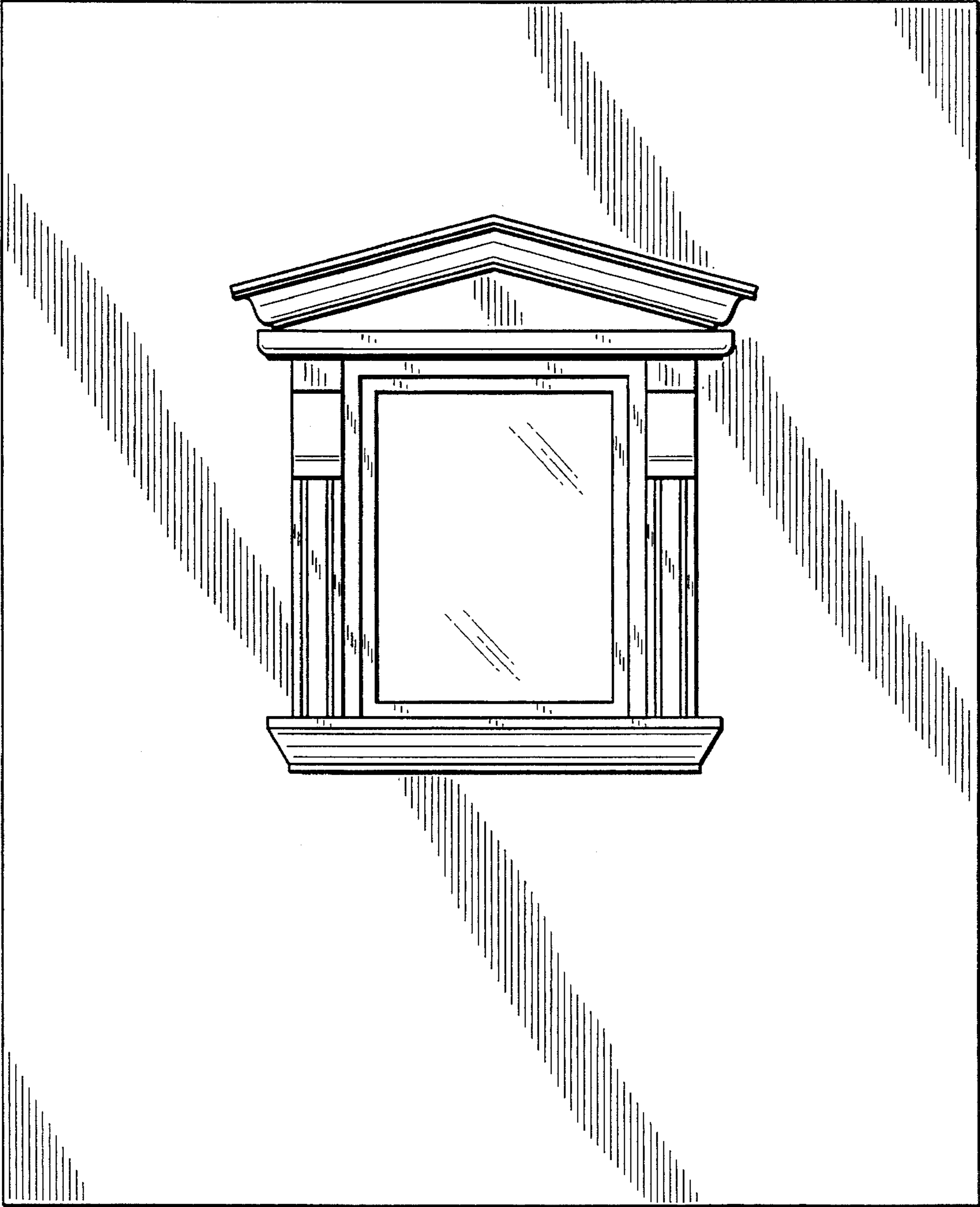
D. 186,380	10/1959	Miller	.....	D6/303
D. 255,746	7/1980	Koert	.....	D6/300
D. 263,542	3/1982	Lenger, Jr.	.....	D6/310
D. 325,473	4/1992	Geiger	.....	D6/303

**1 Claim, 3 Drawing Sheets**

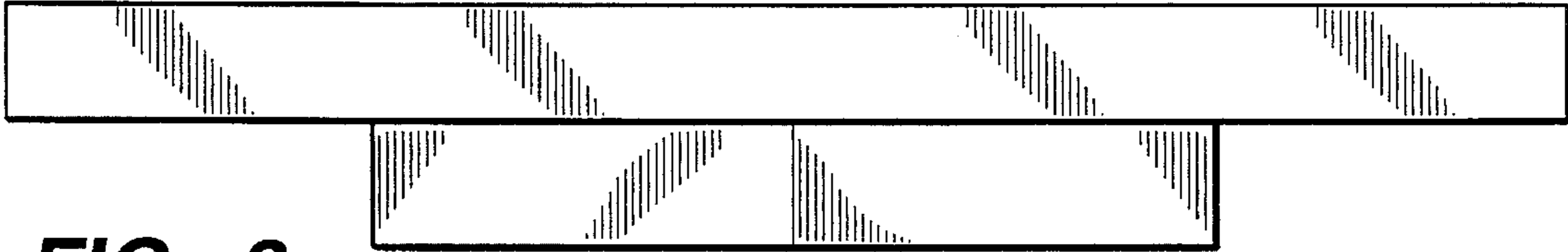




**FIG. 1**



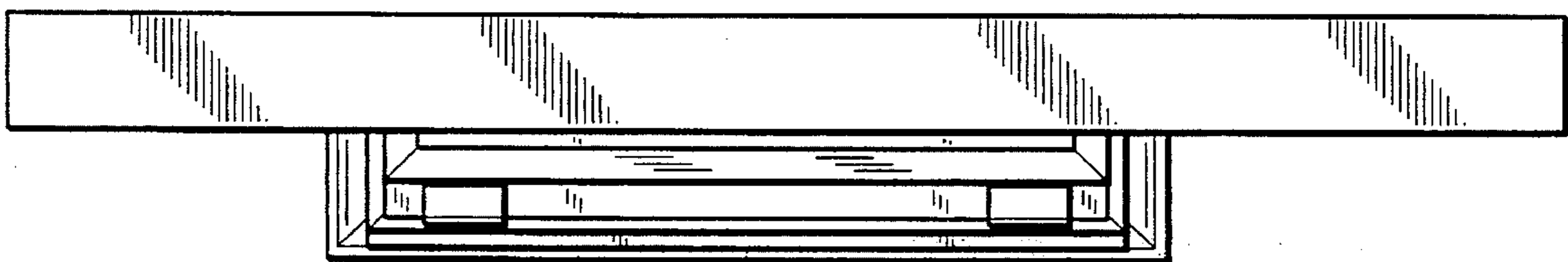
**FIG. 2**



**FIG. 3**



**FIG. 4**



**FIG. 5**