



US00D369243S

# United States Patent [19] Hunt

[11] Patent Number: **Des. 369,243**

[45] Date of Patent: **\*\*Apr. 30, 1996**

[54] PIVOT TOOTHBRUSH

FOREIGN PATENT DOCUMENTS

[76] Inventor: **William J. Hunt**, 1506 Stech Dr.,  
Bridgewater, N.J. 08807

2427877 12/1975 Germany ..... 15/172

[\*\*] Term: **14 Years**

*Primary Examiner*—A. Hugo Word  
*Assistant Examiner*—Lavone D. Tabor  
*Attorney, Agent, or Firm*—James A. Hudak

[21] Appl. No.: **39,323**

[57] **CLAIM**

[22] Filed: **May 24, 1995**

The ornamental design for a pivot toothbrush, as shown and described.

[52] U.S. Cl. .... **D4/104; D4/121**

[58] Field of Search ..... D4/104-112, 121,  
D4/130, 134, 138; 15/143.1, 144.1, 159.1,  
160, 167.1, 167.2, 172

### DESCRIPTION

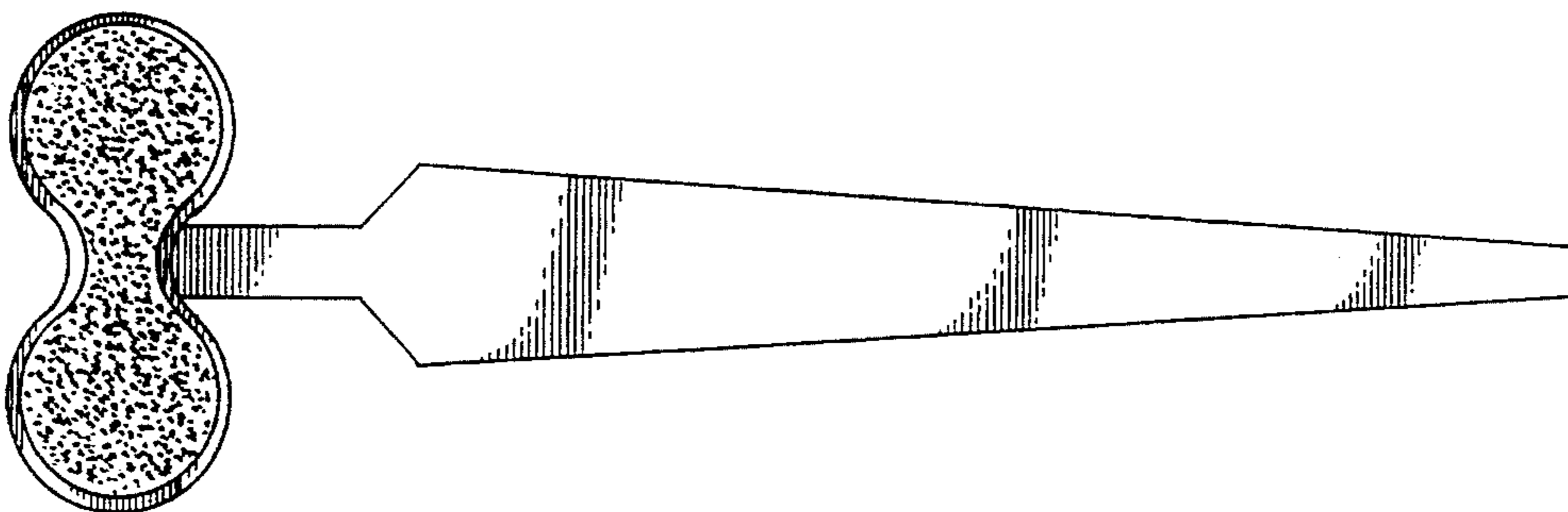
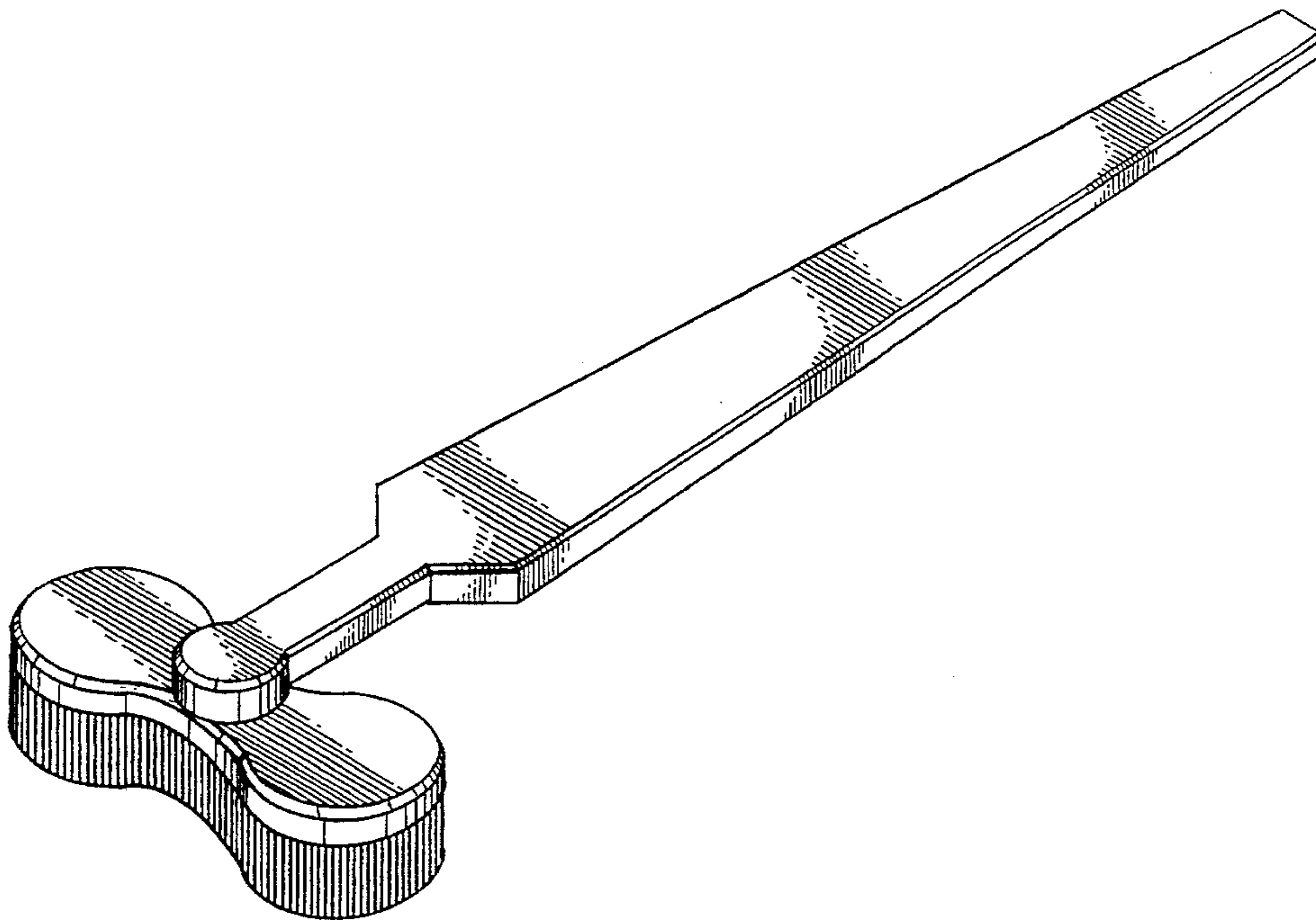
[56] **References Cited**

#### U.S. PATENT DOCUMENTS

D. 47,669	8/1915	Hunt	.....	D4/105
D. 73,245	8/1927	Straehly	.....	D4/110
D. 102,048	11/1936	Brothers et al.	.....	D4/105
D. 289,231	4/1987	Fleisher	.....	D4/110
1,439,913	12/1922	Saxe	.....	15/172
4,399,582	8/1983	Ernest et al.	.....	15/167.1
5,121,520	6/1992	Brice	.....	15/167.1

FIG. 1 is a perspective view of the pivot toothbrush showing my new design;  
FIG. 2 is a left end elevational view thereof;  
FIG. 3 is a right end elevational view thereof;  
FIG. 4 is a front elevational view thereof, the rear elevational view being a mirror image of the view shown in this Figure;  
FIG. 5 is a top plan view thereof; and,  
FIG. 6 is a bottom plan view thereof.

**1 Claim, 3 Drawing Sheets**



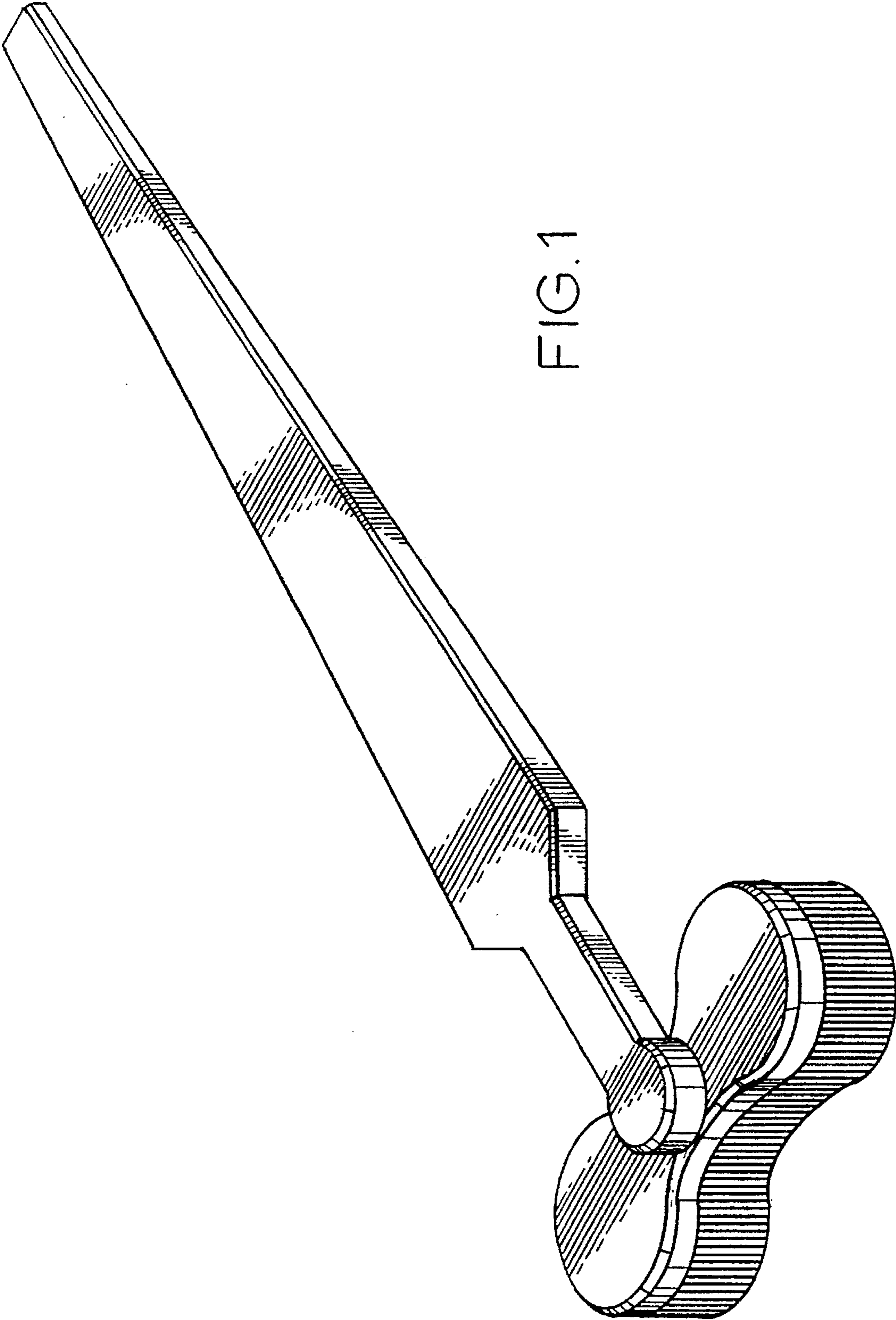


FIG. 1

FIG. 2

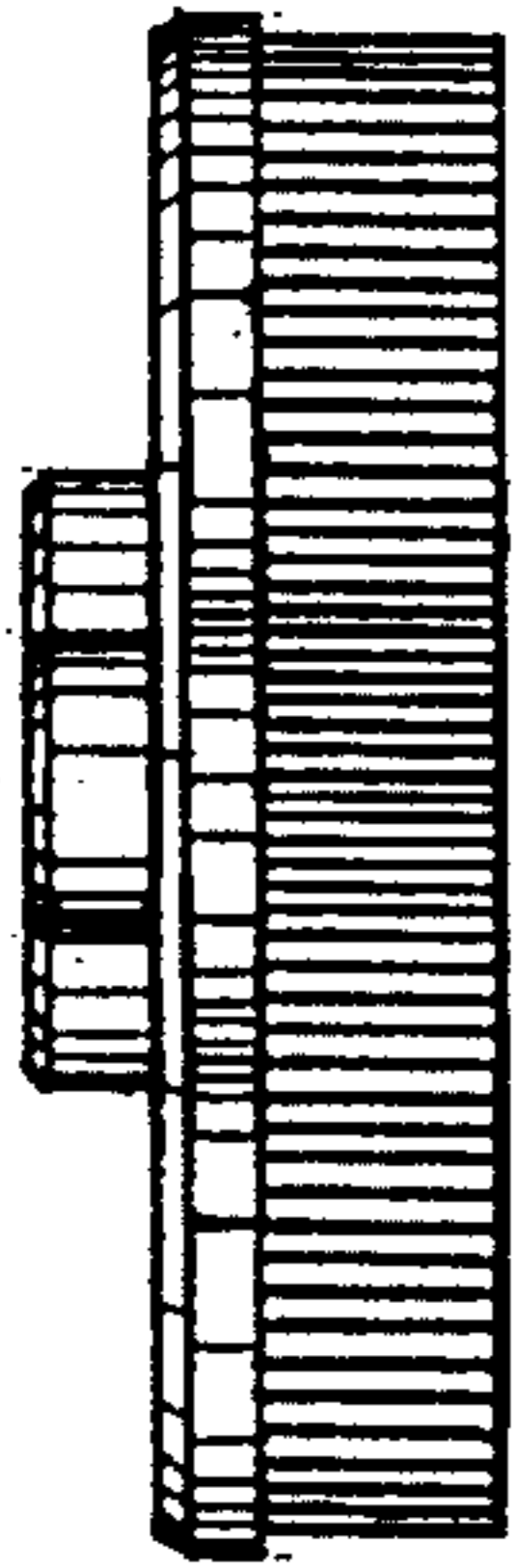


FIG. 3

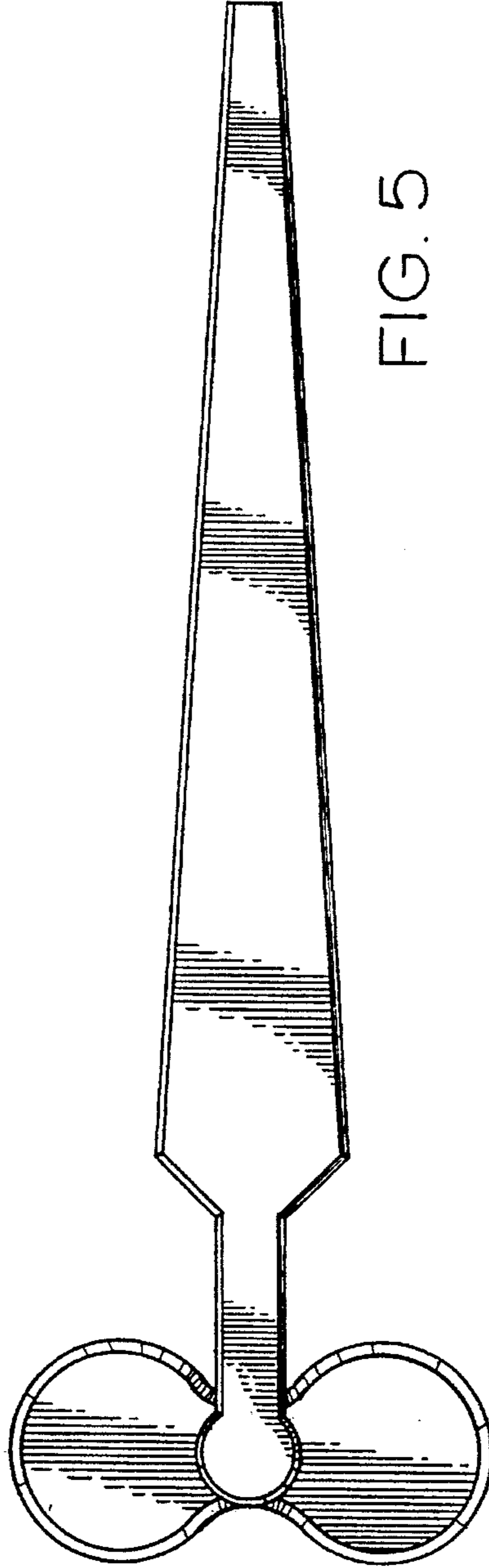
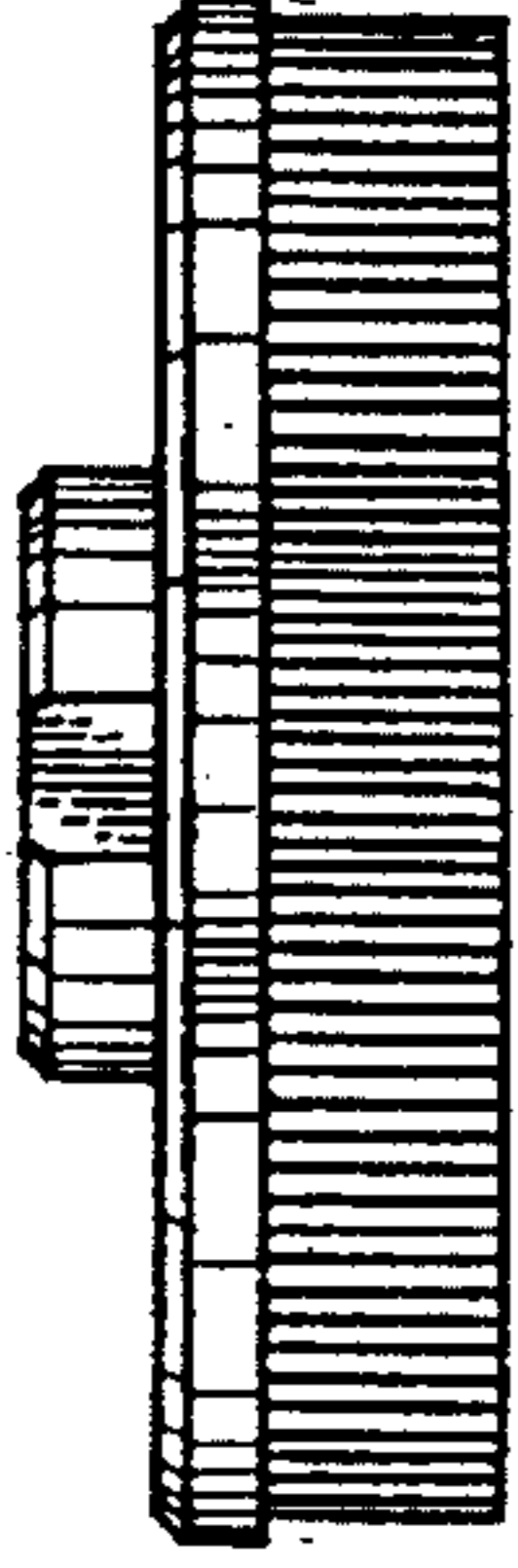


FIG. 5

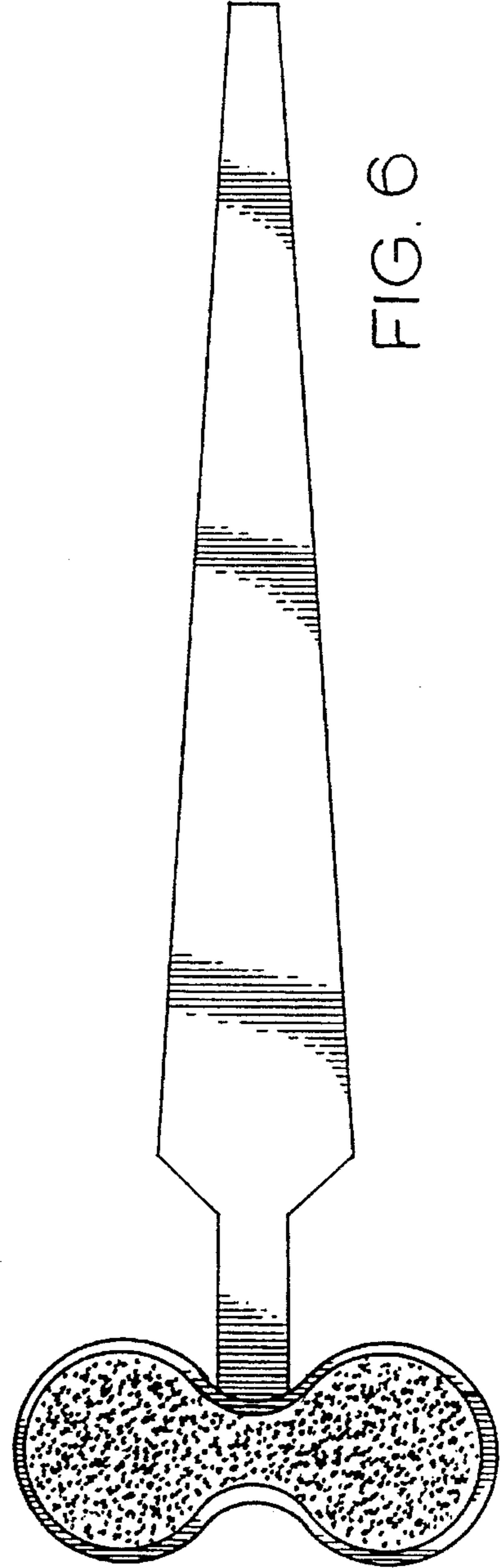


FIG. 6

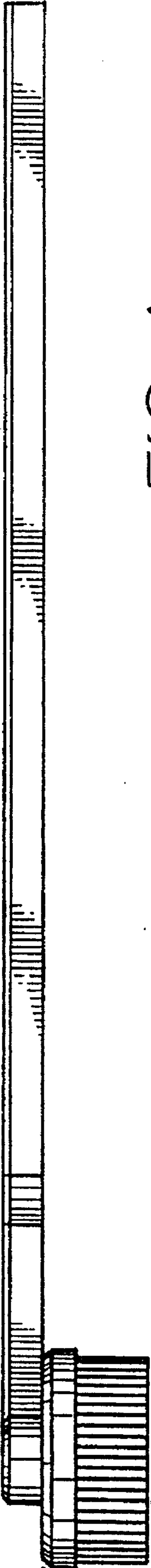


FIG. 4