



US00D369242S

United States Patent [19]
Tiramani

[11] **Patent Number: Des. 369,242**

[45] **Date of Patent: **Apr. 30, 1996**

[54] **TRAY ORGANIZER WITH DRAWER**

D. 347,942 6/1994 Gilbert et al. D3/310

[75] Inventor: **Paolo Tiramani**, Greenwich, Conn.

Primary Examiner—Ted Shooman

Assistant Examiner—Richelle Shelton

Attorney, Agent, or Firm—Thomas L. Adams

[73] Assignee: **500 Group Incorporated**, Greenwich, Conn.

[**] Term: **14 Years**

[57] **CLAIM**

The ornamental design for tray organizer with drawer, as shown and described.

[21] Appl. No.: **19,607**

[22] Filed: **Mar. 7, 1994**

DESCRIPTION

[52] **U.S. Cl.** **D3/308**

FIG. 1 is a perspective view of a tray organizer with drawer showing my new design;

[58] **Field of Search** D3/304, 307-314;
D9/341, 347; D19/75, 77-79; D28/73; 206/214,
557, 561-564

FIG. 2 is a front elevation view thereof;

FIG. 3 is a rear elevational view thereof;

FIG. 4 is a top plan view thereof;

FIG. 5 is a bottom plan view thereof; and,

FIG. 6 is a right side elevation view thereof, the left side elevation view being a mirror image.

[56] **References Cited**

U.S. PATENT DOCUMENTS

- D. 311,623 10/1990 Thompson D3/308
- D. 314,658 2/1991 Ancona et al. D3/308
- D. 321,371 11/1991 Galante D19/77

1 Claim, 4 Drawing Sheets

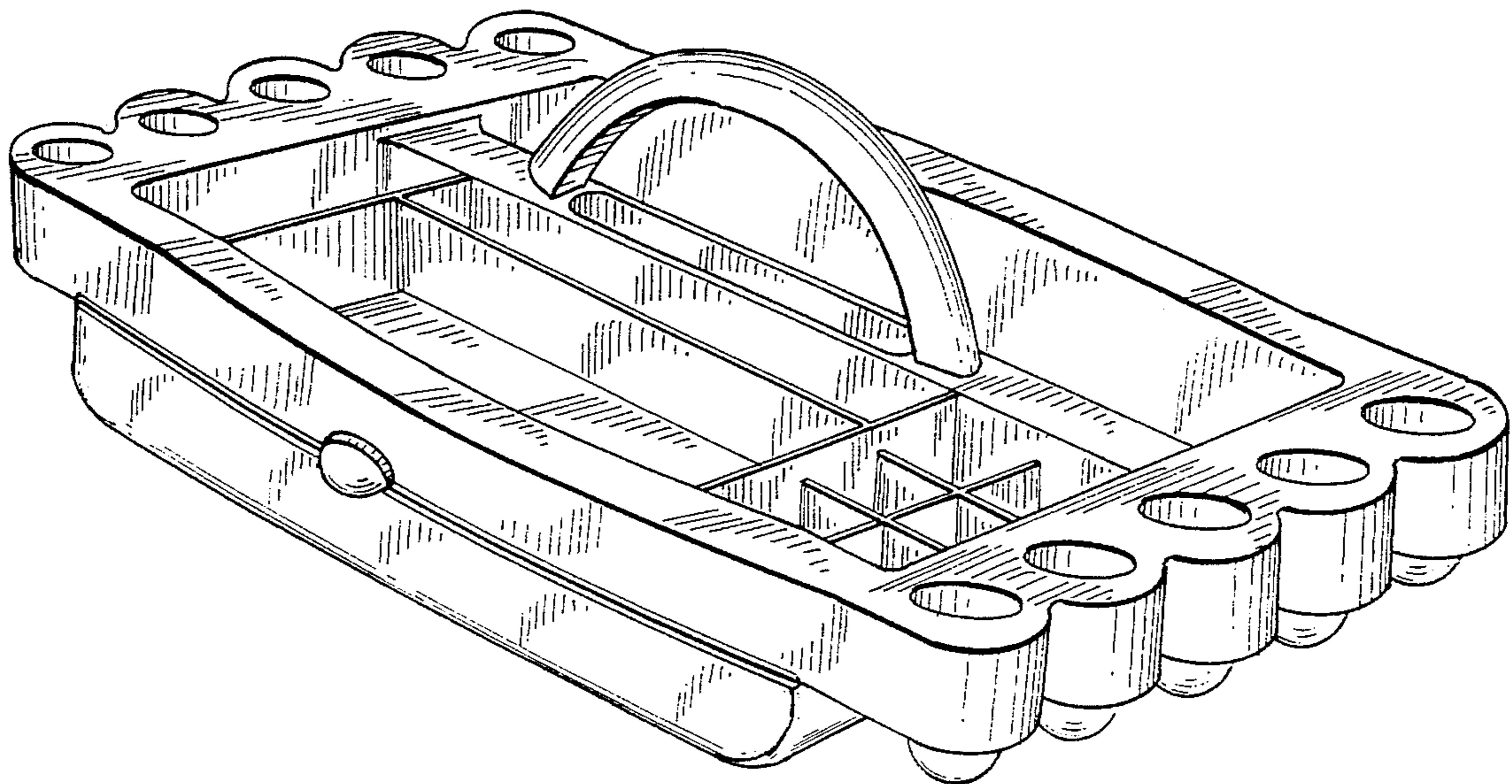


FIG. 1

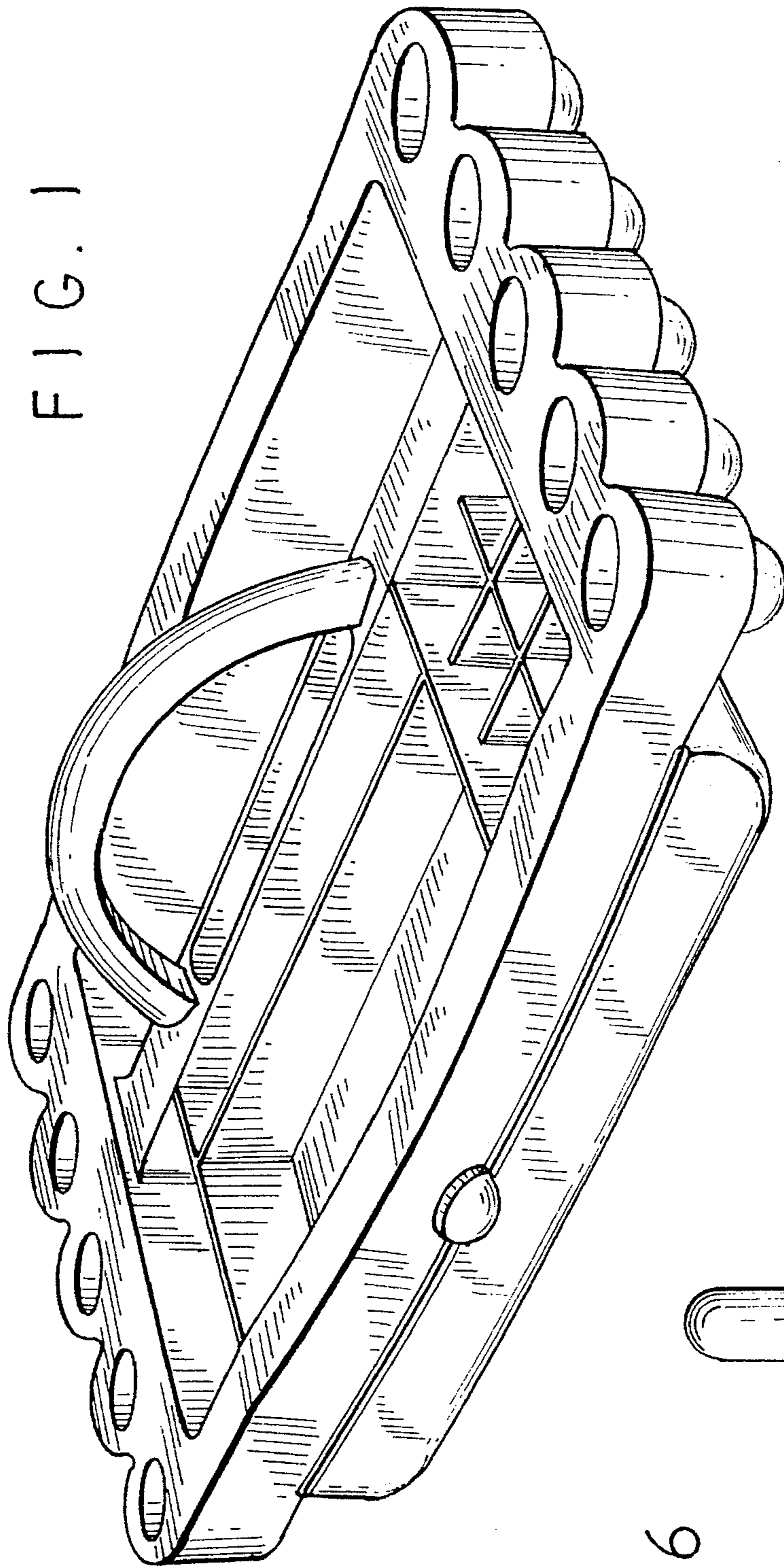


FIG. 6

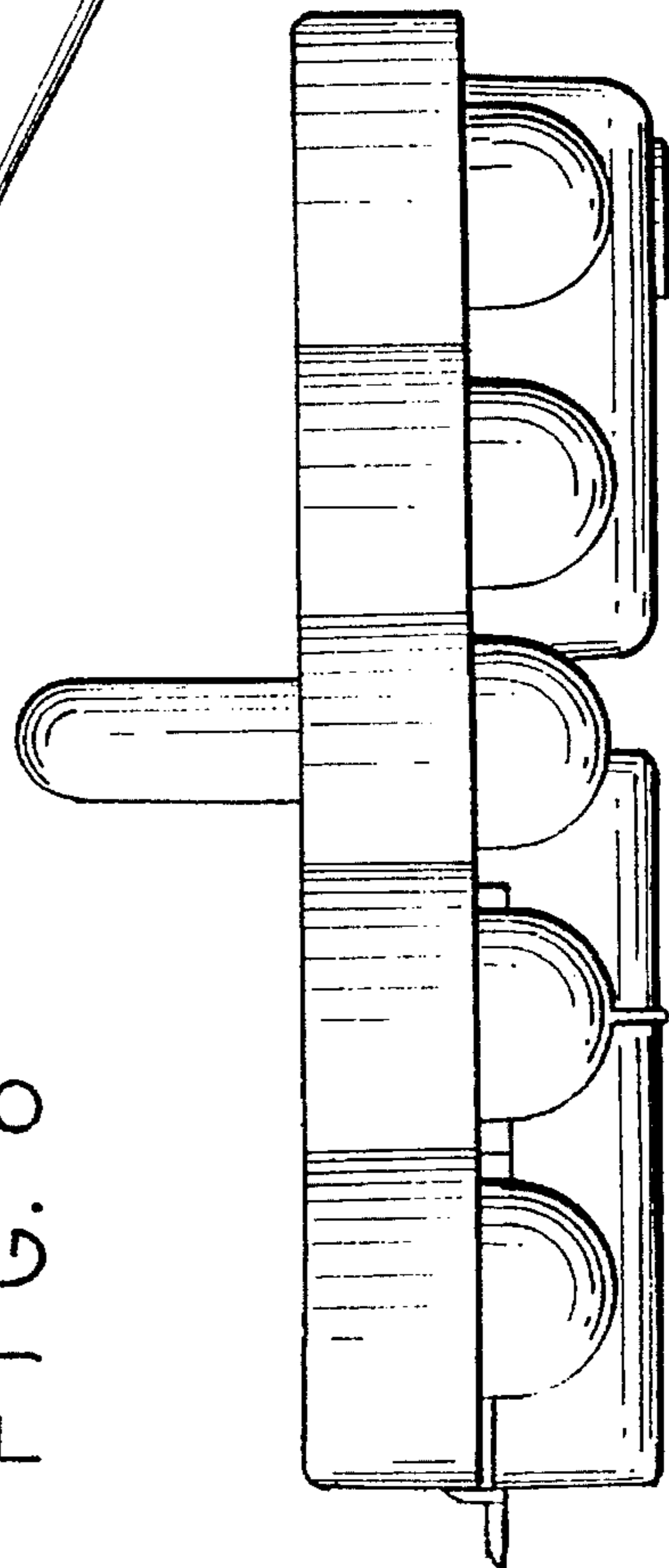


FIG. 2

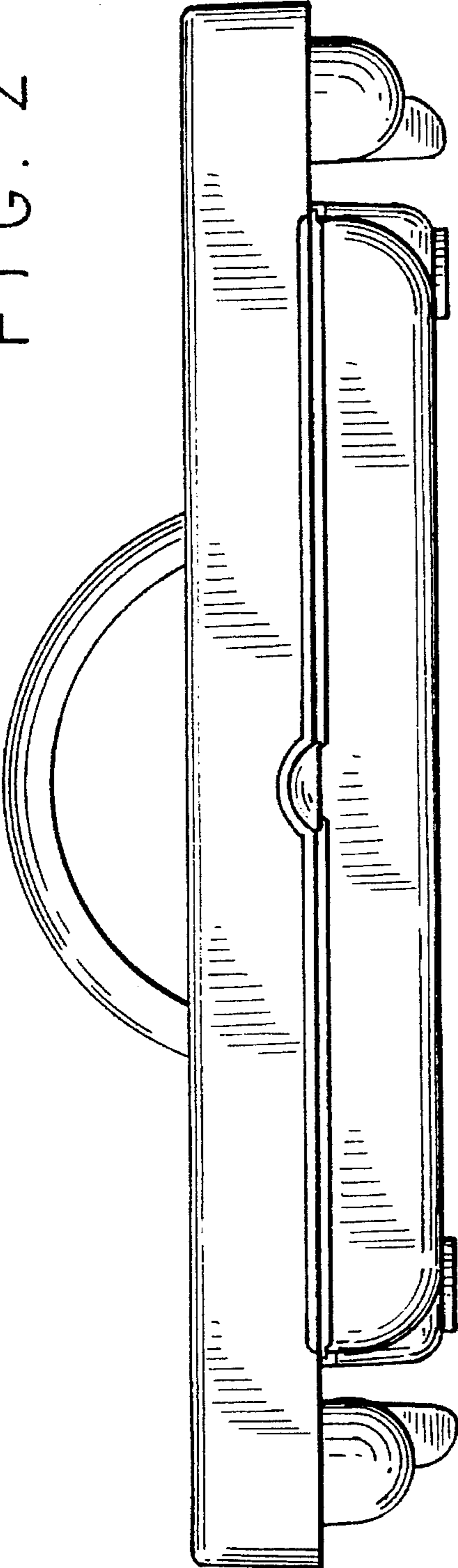


FIG. 3

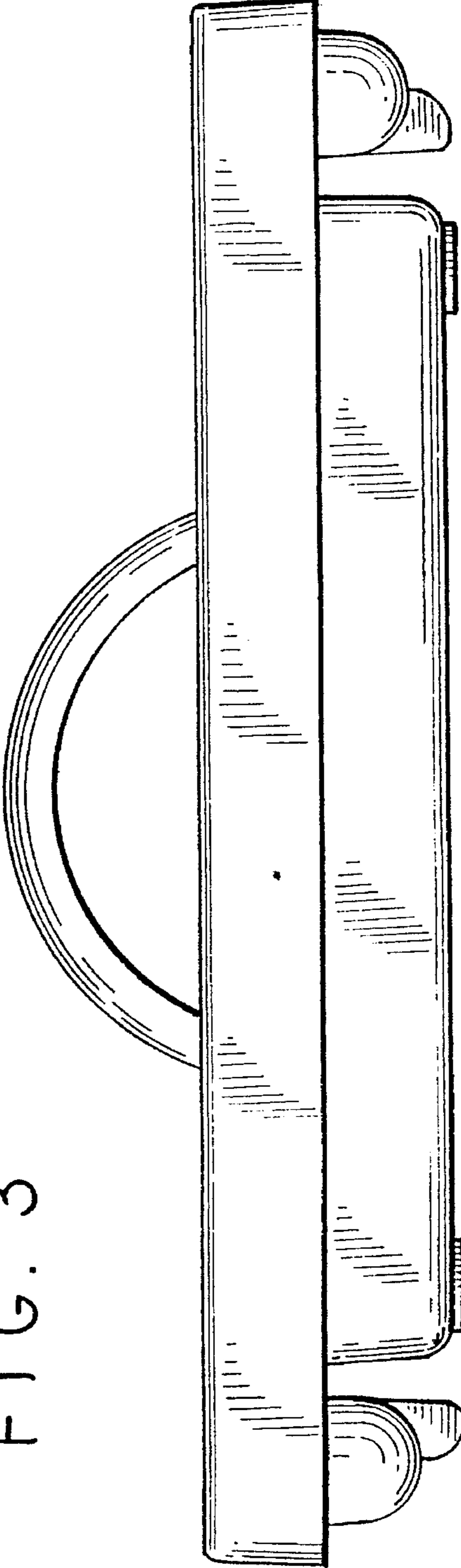


FIG. 4

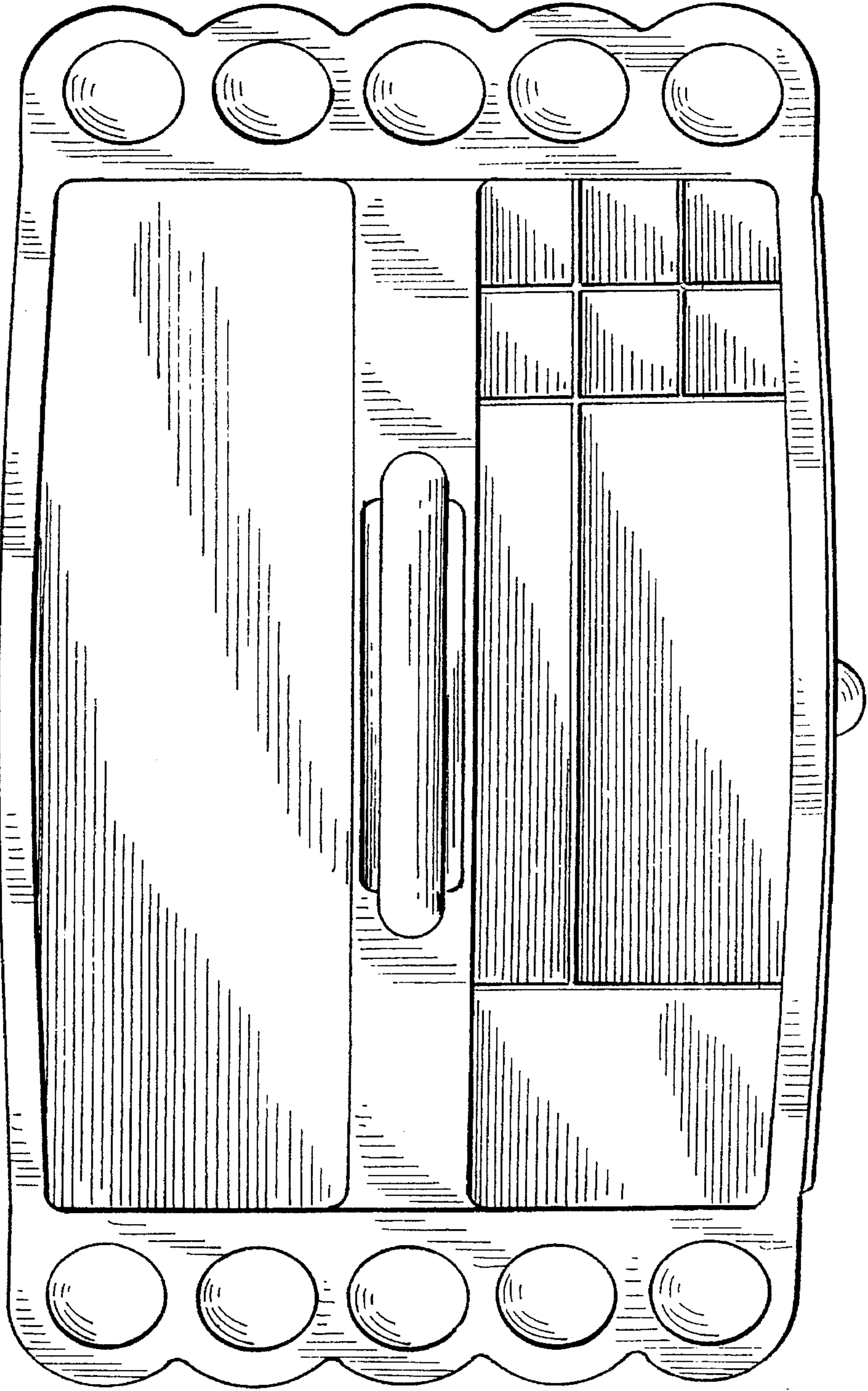


FIG. 5

