



US00D369240S

United States Patent [19] Newby, Sr.

[11] Patent Number: **Des. 369,240**

[45] Date of Patent: ****Apr. 30, 1996**

[54] **CASE FOR A VIDEO RECORDER**

[75] Inventor: **John P. Newby, Sr.**, Raleigh, N.C.

[73] Assignee: **Southern Case, Inc.**, Raleigh, N.C.

[**] Term: **14 Years**

[21] Appl. No.: **32,022**

[22] Filed: **Dec. 12, 1994**

Related U.S. Application Data

[62] Division of Ser. No. 6,494, Mar. 31, 1993, Pat. No. 8,353, 265.

[52] U.S. Cl. **D3/268**; D3/263; D3/267; D3/273; D3/276

[58] Field of Search D2/267, 269, 273, D2/276, 282, 283, 291, 294, 263, 268; 190/18 R, 100, 115, 900; 206/278, 305, 349, 316.1, 320

[56] **References Cited**

U.S. PATENT DOCUMENTS

D. 197,546	2/1964	Motokane	D3/267
D. 200,143	1/1965	Ronvik	.	
D. 233,179	10/1974	Sias	D3/268
D. 247,394	2/1978	Linke	.	
D. 281,200	11/1985	Thrush	D3/268

D. 300,988	5/1989	Melk	.	
D. 320,695	10/1991	Shim	D3/268
D. 335,765	5/1993	VanSkiver	D3/268
D. 336,153	6/1993	Dulka et al.	D3/268
D. 336,719	6/1993	Newby, Sr.	D3/268
4,658,956	4/1987	Takeda et al.	206/320

Primary Examiner—Celia Murphy
Attorney, Agent, or Firm—Bell, Seltzer, Park & Gibson

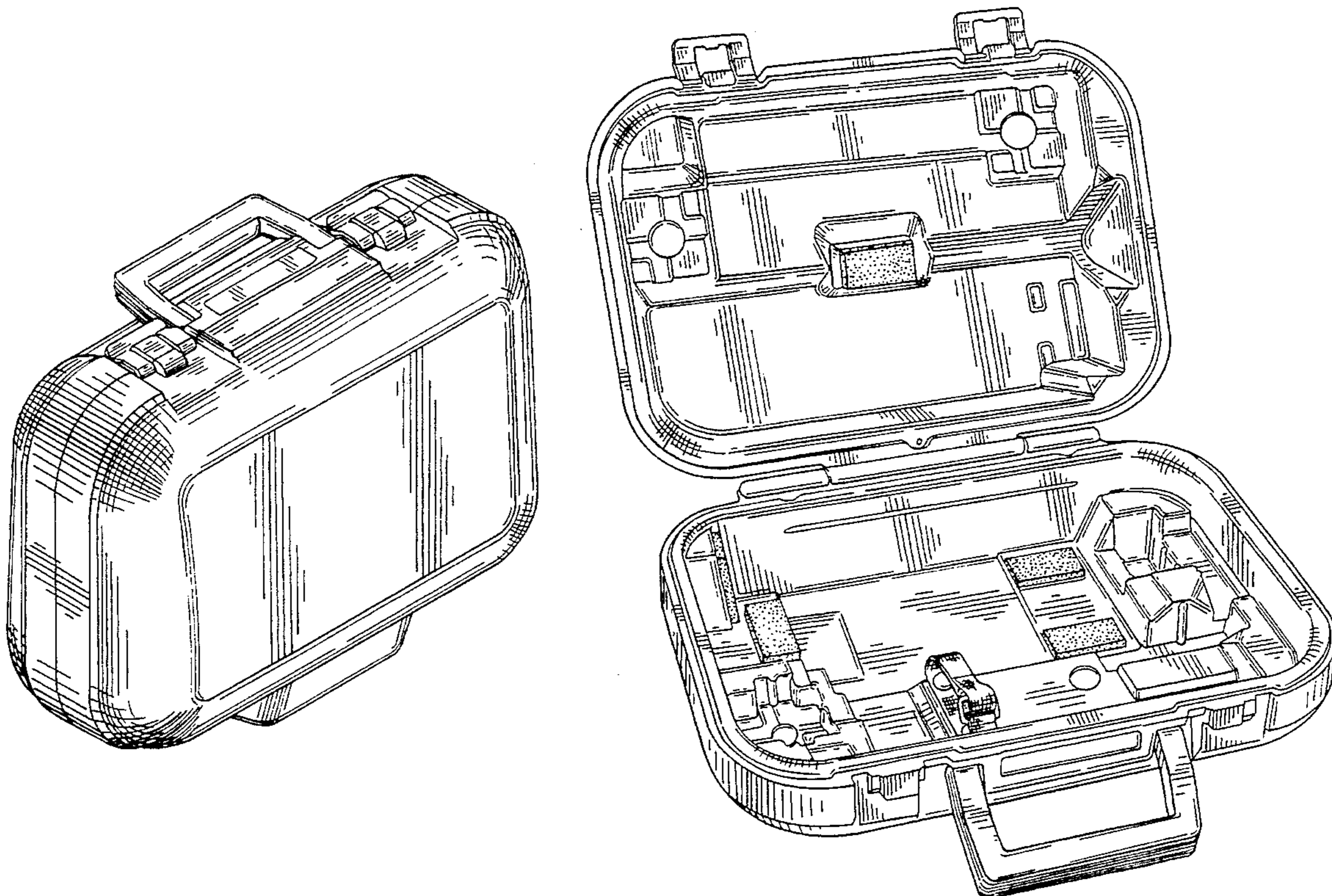
[57] **CLAIM**

The ornamental design for a case for a video recorder, as shown and described.

DESCRIPTION

FIG. 1 is a perspective view of a case for a video recorder showing my new design;
 FIG. 2 is a front elevational view thereof;
 FIG. 3 is a left side elevational view, the right side being a mirror image thereof;
 FIG. 4 is a top plan view thereof;
 FIG. 5 is a bottom plan view thereof;
 FIG. 6 is an inside perspective view thereof;
 FIG. 7 is a front elevational view of the top portion of FIG. 6, the bottom being broken away for ease of illustration; and
 FIG. 8 is a top plan view of the bottom portion of FIG. 6, the top being broken away for ease of illustration.

1 Claim, 4 Drawing Sheets



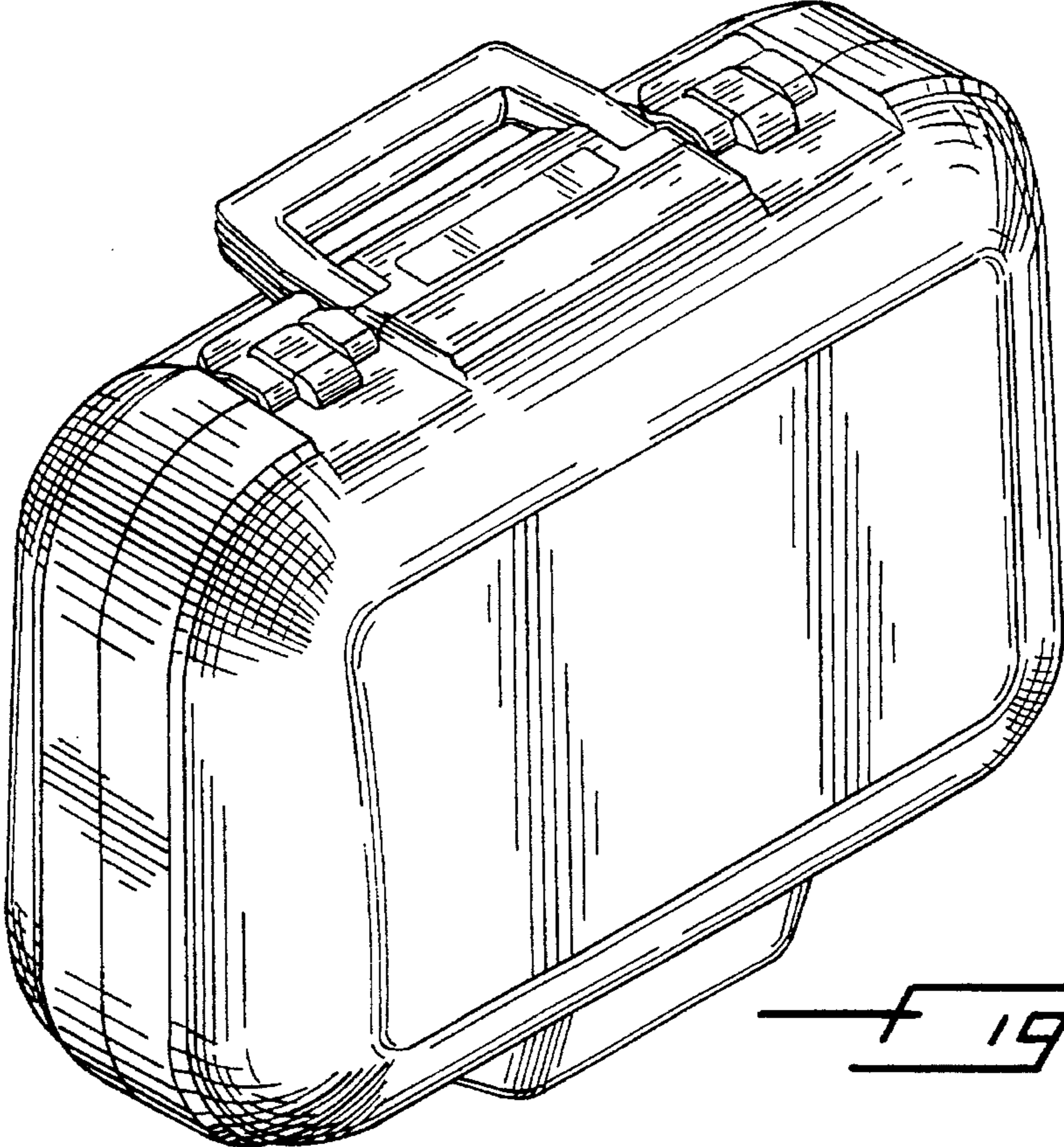


Fig. 1.

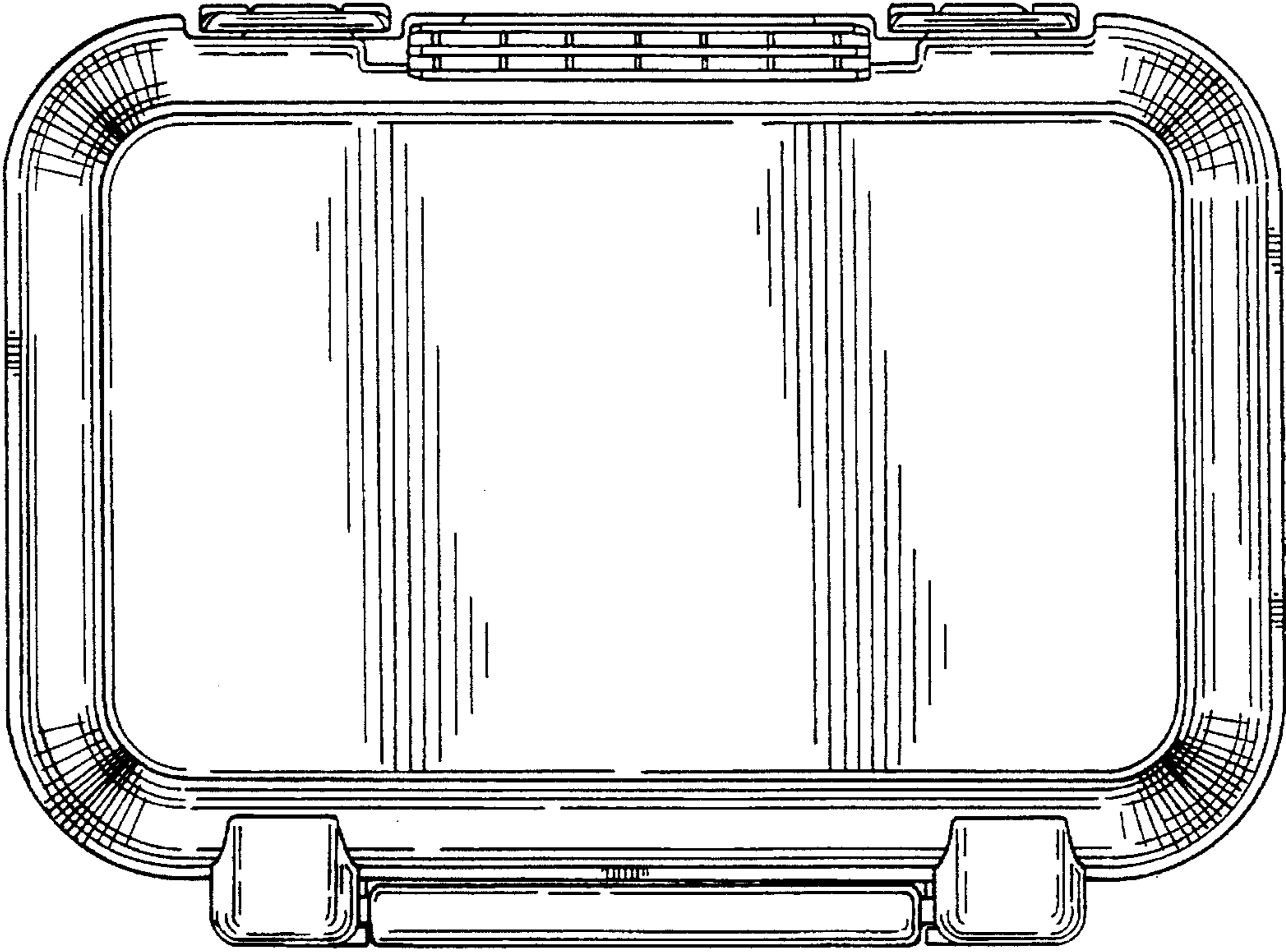
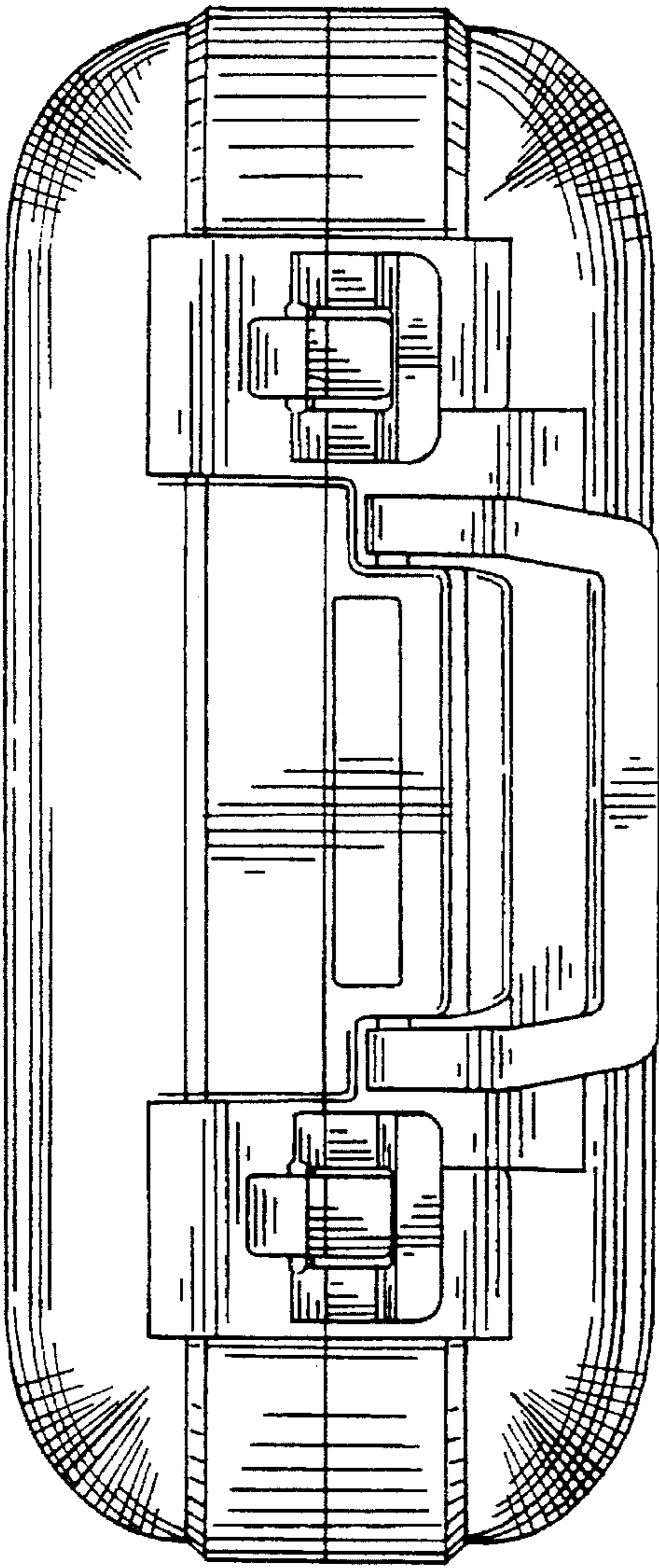
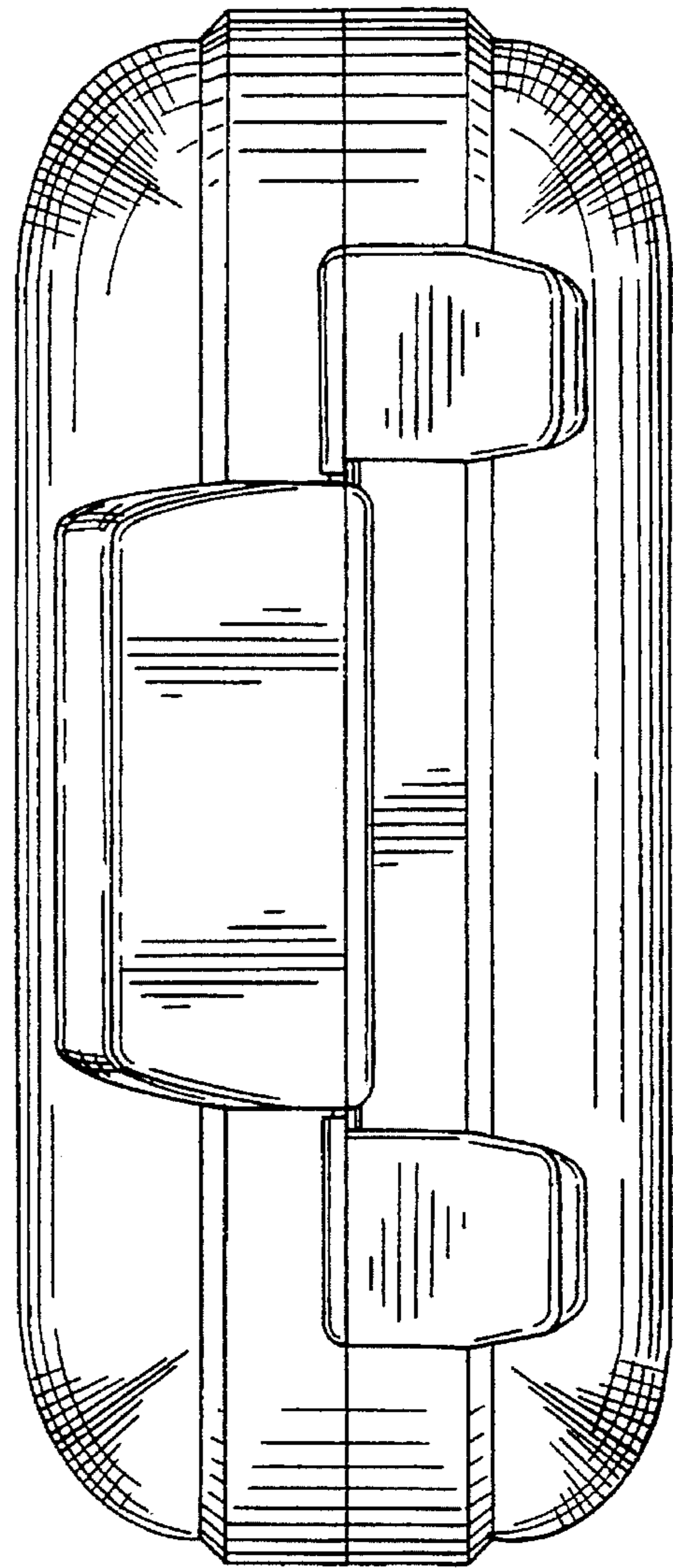


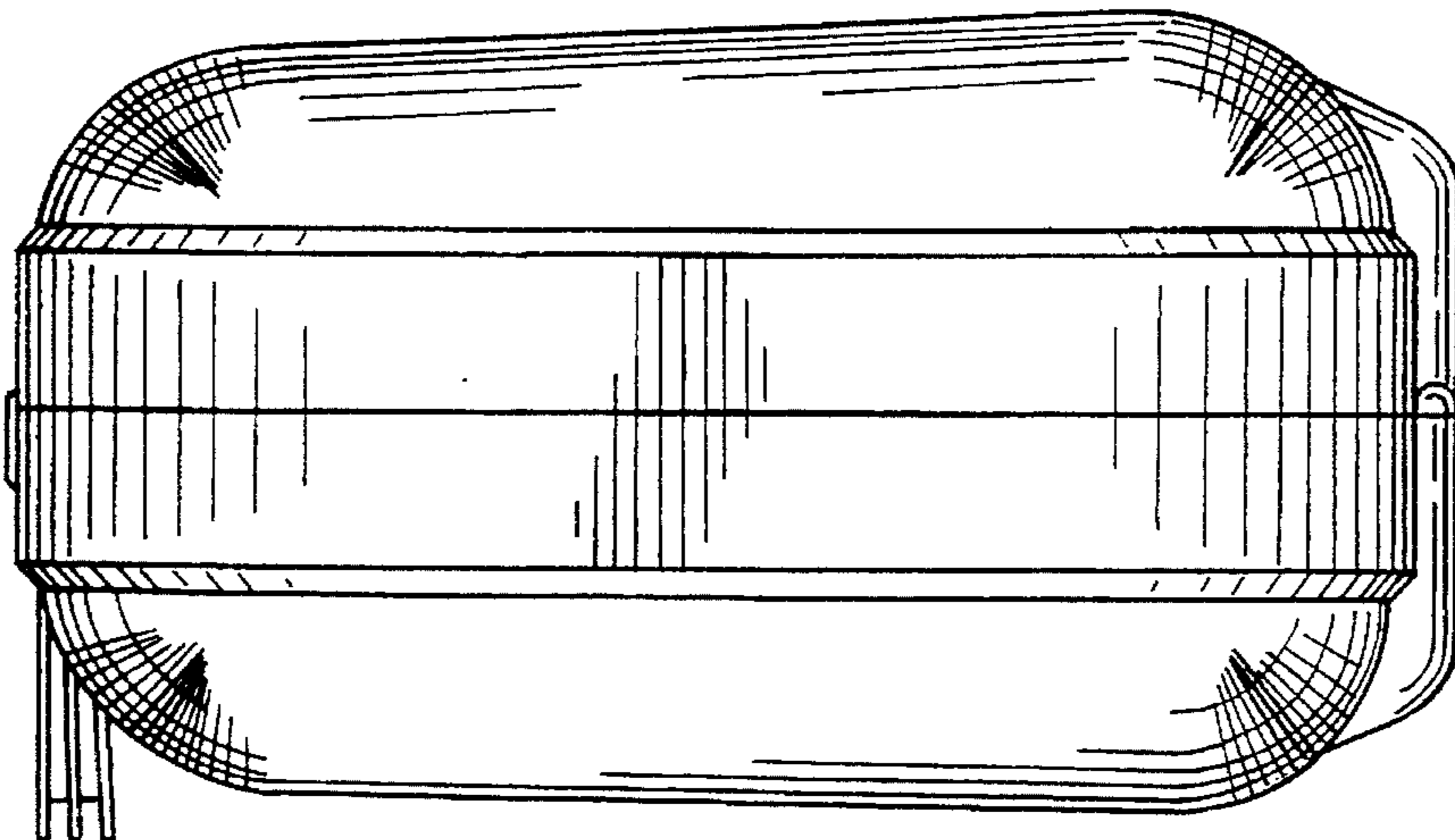
Fig. 2.



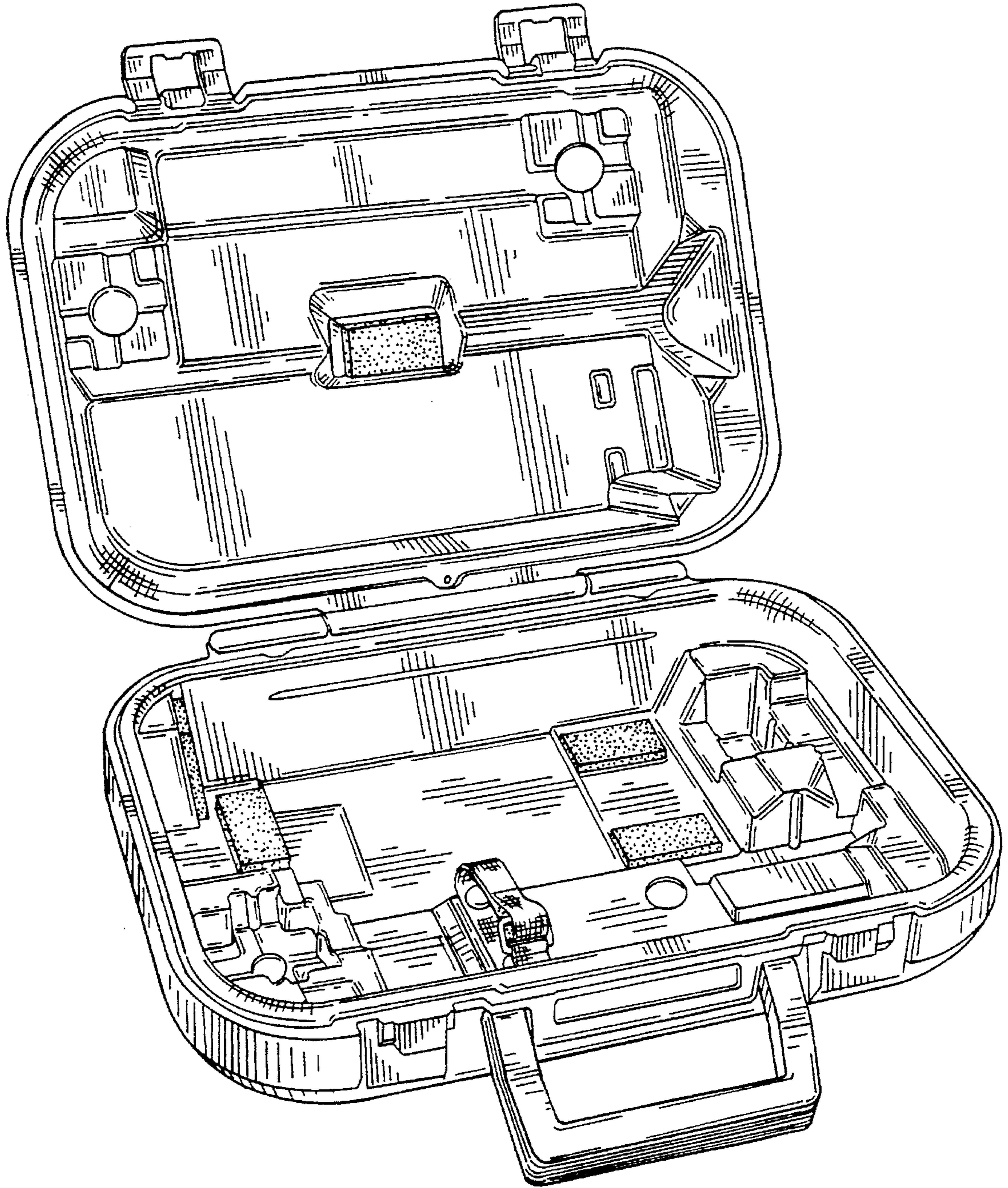
f 19.4.



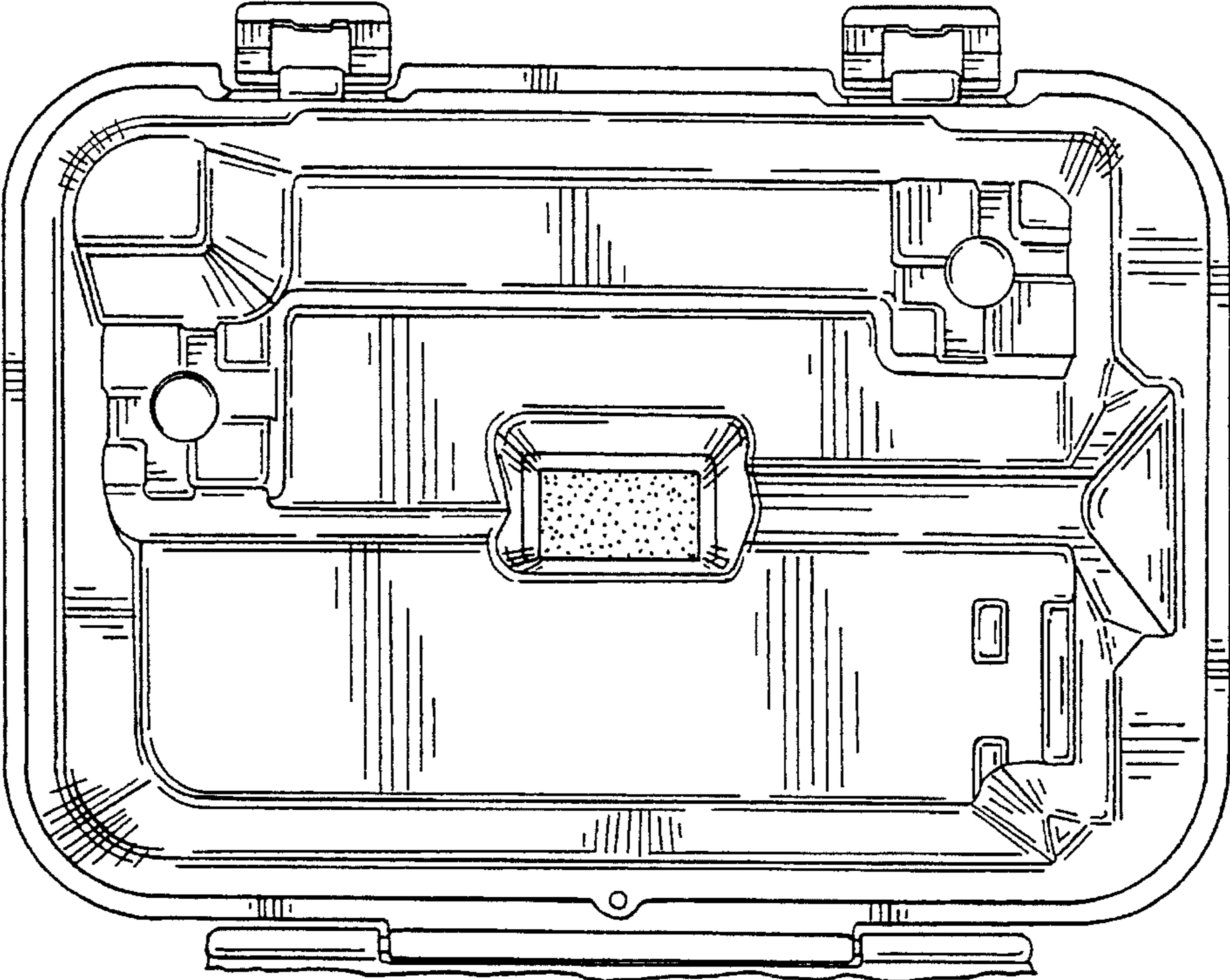
f 19.5.



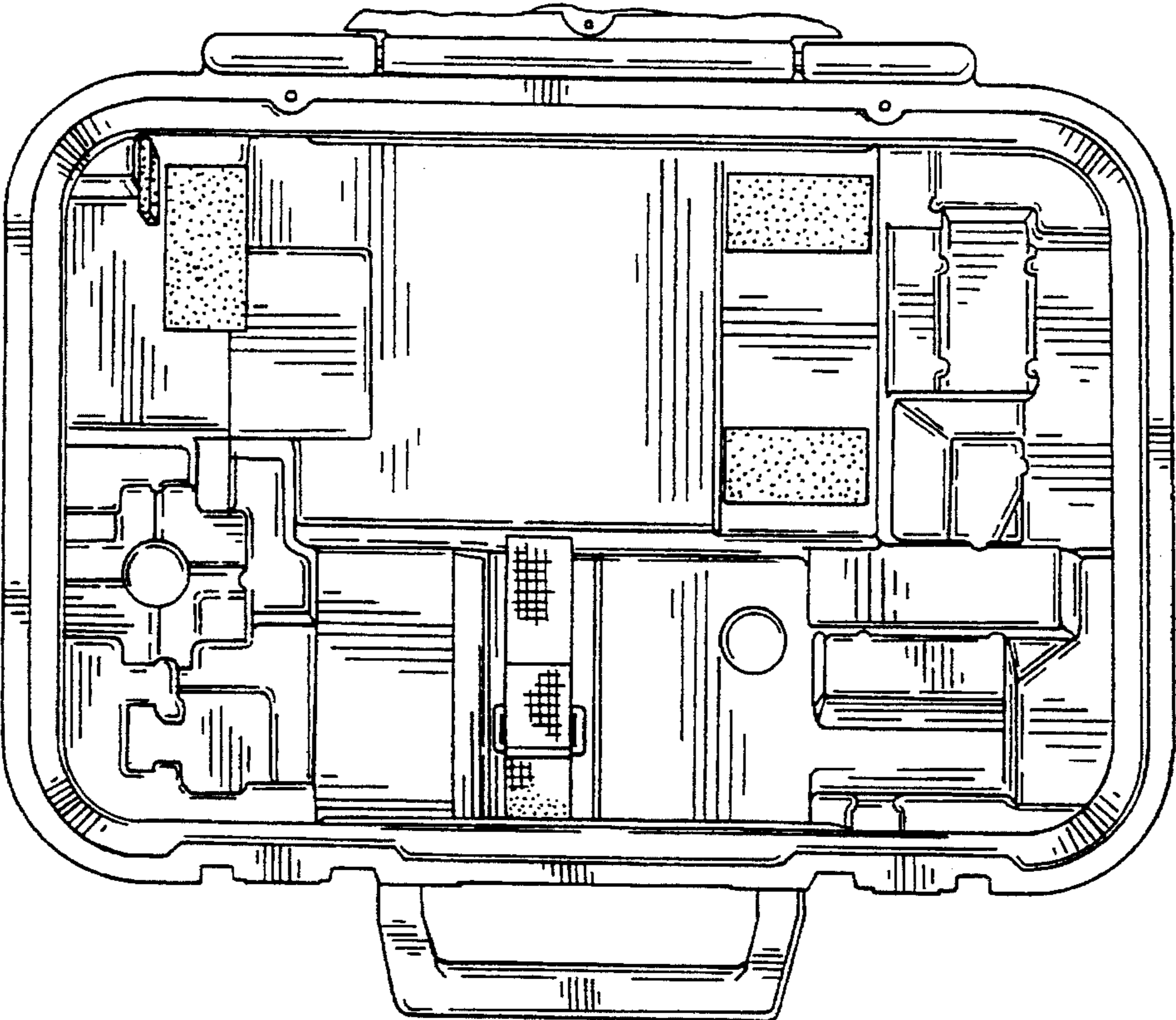
f 19.3.



— 19.6.



— FIG. 7.



— FIG. 8.