



US00D369239S

United States Patent [19]
Deutch

[11] **Patent Number: Des. 369,239**

[45] **Date of Patent: **Apr. 30, 1996**

[54] **CARD HOLDER**

[75] Inventor: **Sidney Seymour Deutch**, Woodbridge, Canada

[73] Assignee: **Data Accessories Corporation**, Woodbride, Canada

[**] Term: **14 Years**

[21] Appl. No.: **9,598**

[22] Filed: **Jun. 18, 1993**

[30] **Foreign Application Priority Data**

Jun. 9, 1993 [CA] Canada 09-06-93-2

[52] **U.S. Cl.** **D3/247; D21/251**

[58] **Field of Search** **D3/201, 247-253; D21/54, 55, 57; 150/131-149; 273/148 A**

[56] **References Cited**

U.S. PATENT DOCUMENTS

D. 164,862	10/1951	Johnson	273/148 A
D. 165,562	12/1951	Thomas	D3/250
D. 197,148	12/1963	Parker	D21/54 X
D. 310,910	10/1990	Maxymych et al.	D3/249
D. 319,345	8/1991	Rayburn	D3/251 X
2,002,168	5/1935	Bandes et al.	D21/54 X
3,267,980	8/1966	Bird	150/139 X

Primary Examiner—Celia Murphy

Attorney, Agent, or Firm—Philip C. Mendes da Costa; Bereskin & Parr

[57] **CLAIM**

The ornamental design for a card holder, as shown and described.

DESCRIPTION

FIG. 1 is a top perspective view of a card holder showing my new design;
FIG. 2 is a top plan view of the card holder of FIG. 1;
FIG. 3 is a right side elevational view thereof;
FIG. 4 is a bottom plan view of the card holder of FIG. 1;
FIG. 5 is a left side elevational view thereof;
FIG. 6 is a front elevational view thereof;

FIG. 7 is a perspective view of the interior of the card holder of FIG. 1 when the card holder is in the open position;

FIG. 8 is a plan view of the interior of the card holder of FIG. 1 when the card holder is in the open position;

FIG. 9 is a right side elevational view of FIG. 7;

FIG. 10 is a left side elevational view of FIG. 7;

FIG. 11 is a bottom plan view of FIG. 8;

FIG. 12 is an inside perspective view of an alternate embodiment of the design shown in FIG. 1, the rear being identical to the rear of the first embodiment;

FIG. 13 is a top plan view of FIG. 12;

FIG. 14 is a perspective view of a second embodiment of the design shown in FIG. 1;

FIG. 15 is a top plan view of the card holder of FIG. 14;

FIG. 16 is a right side elevational view of FIG. 14;

FIG. 17 is a bottom plan view of the card holder of FIG. 14;

FIG. 18 is a left side elevational view of FIG. 14;

FIG. 19 is a perspective view of the interior of the card holder of FIG. 14 when the card holder is in the open position;

FIG. 20 is a plan view of the interior of the card holder of FIG. 14 when the card holder is in the open position;

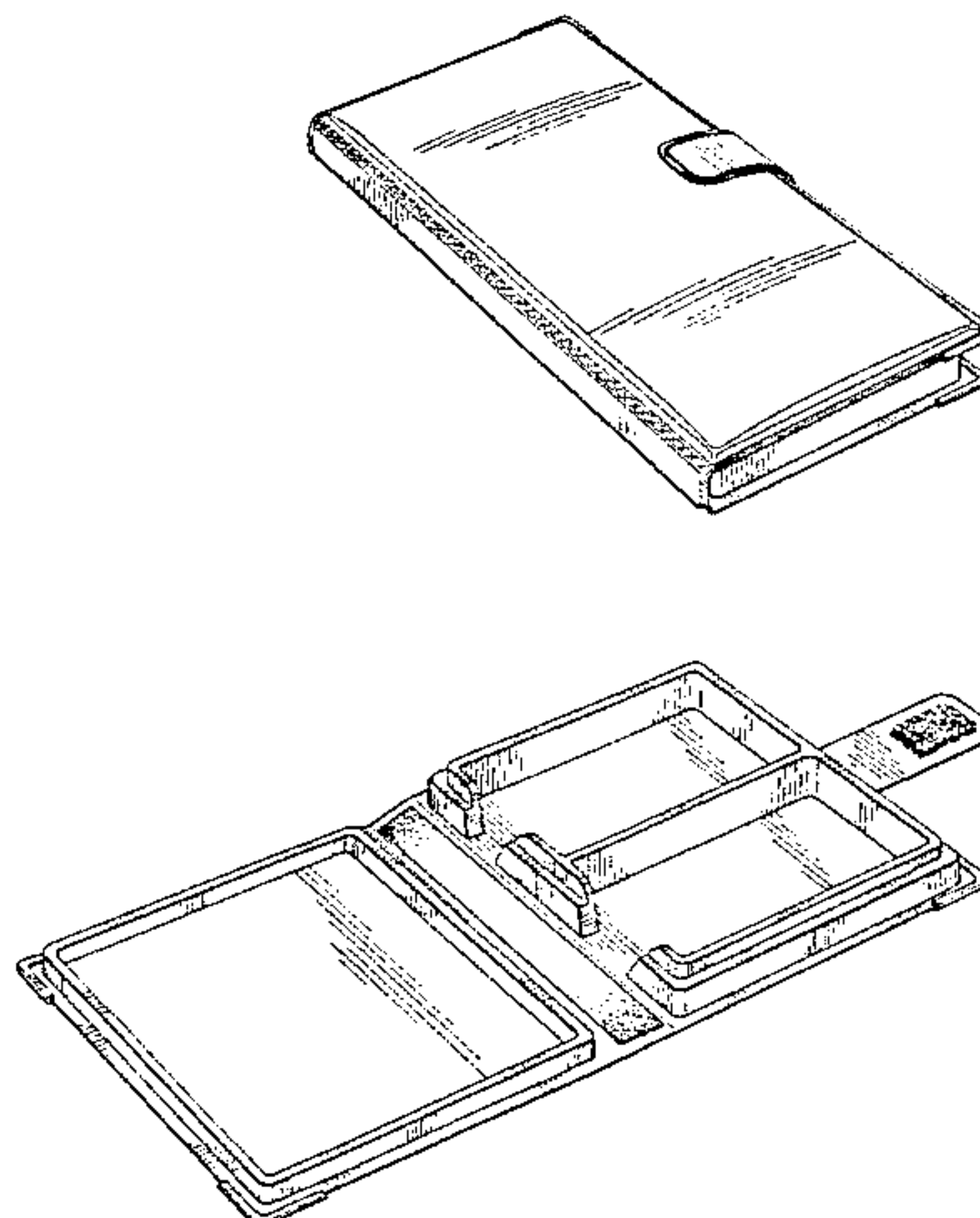
FIG. 21 is a right side elevational view of FIG. 19;

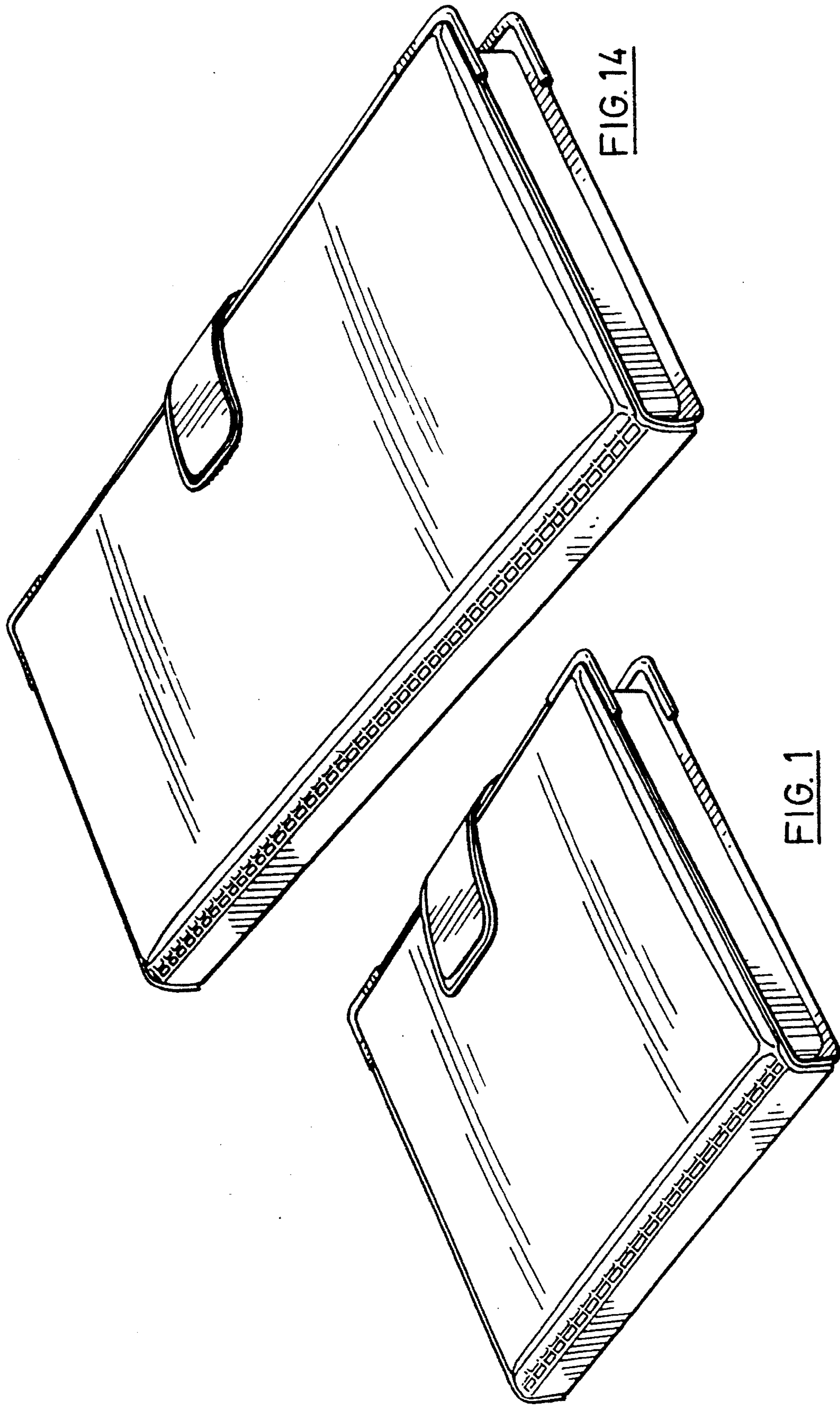
FIG. 22 is a left side elevational view of FIG. 19;

FIG. 23 is a perspective view of a further embodiment of the interior of the card holder shown in FIGS. 14-18, 21 and 22 when the card holder is in the open position; and,

FIG. 24 is a plan view of a further embodiment of the interior of the card holder shown in FIGS. 14-18, 21 and 22 when the card holder is in the open position.

1 Claim, 15 Drawing Sheets





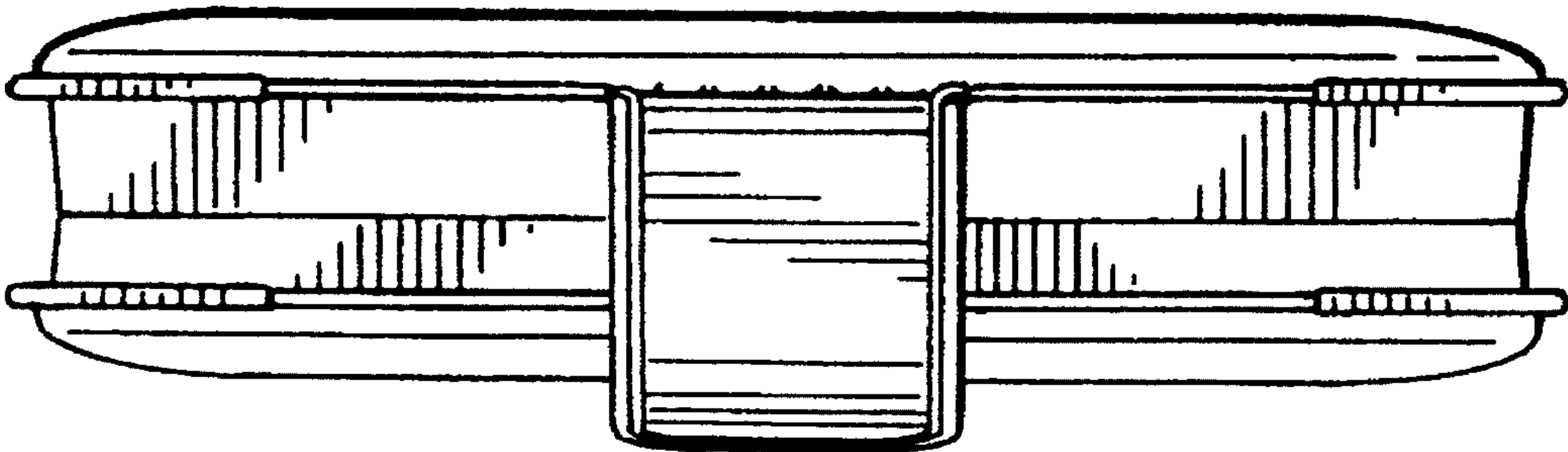


FIG. 3

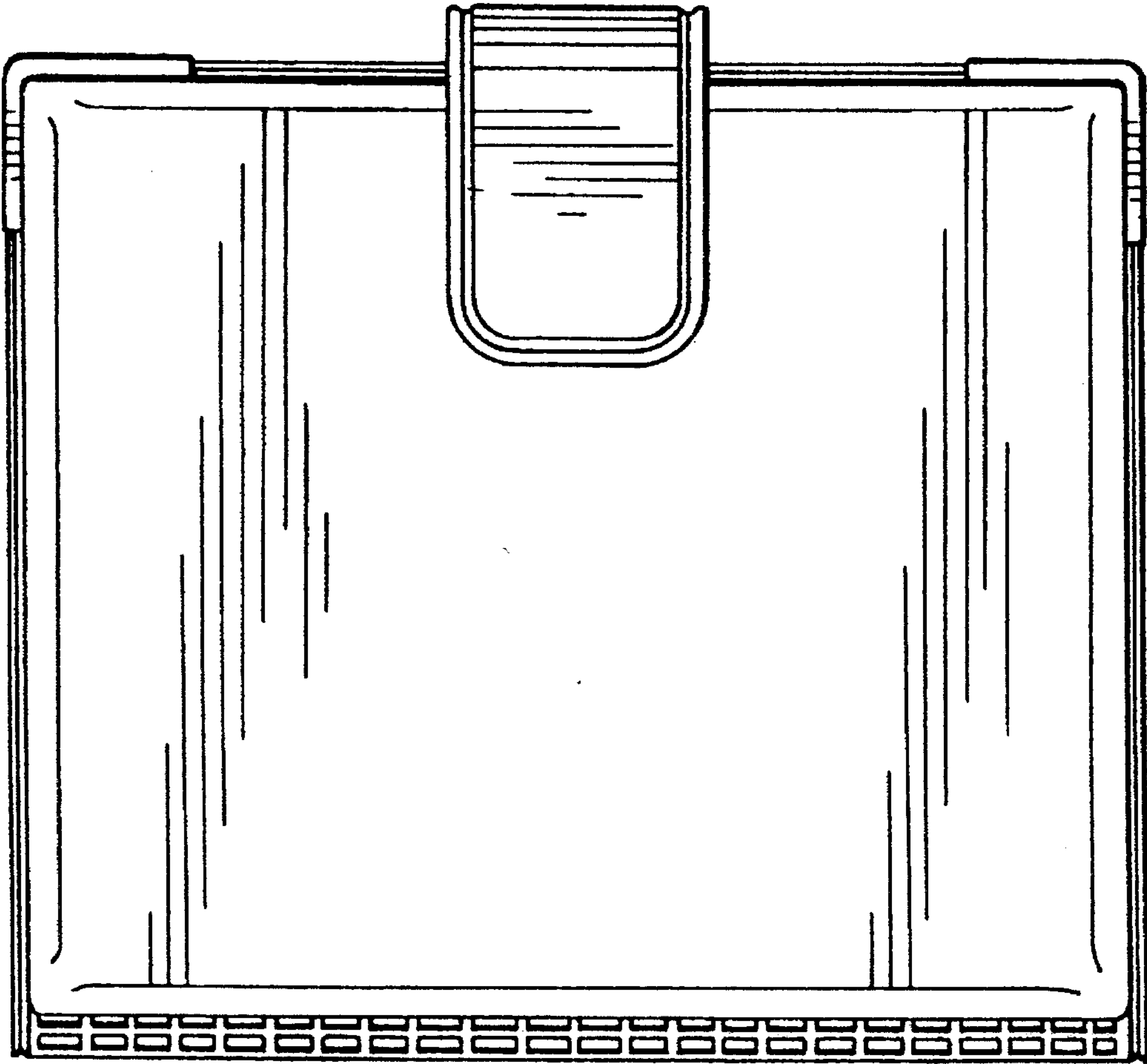


FIG. 2

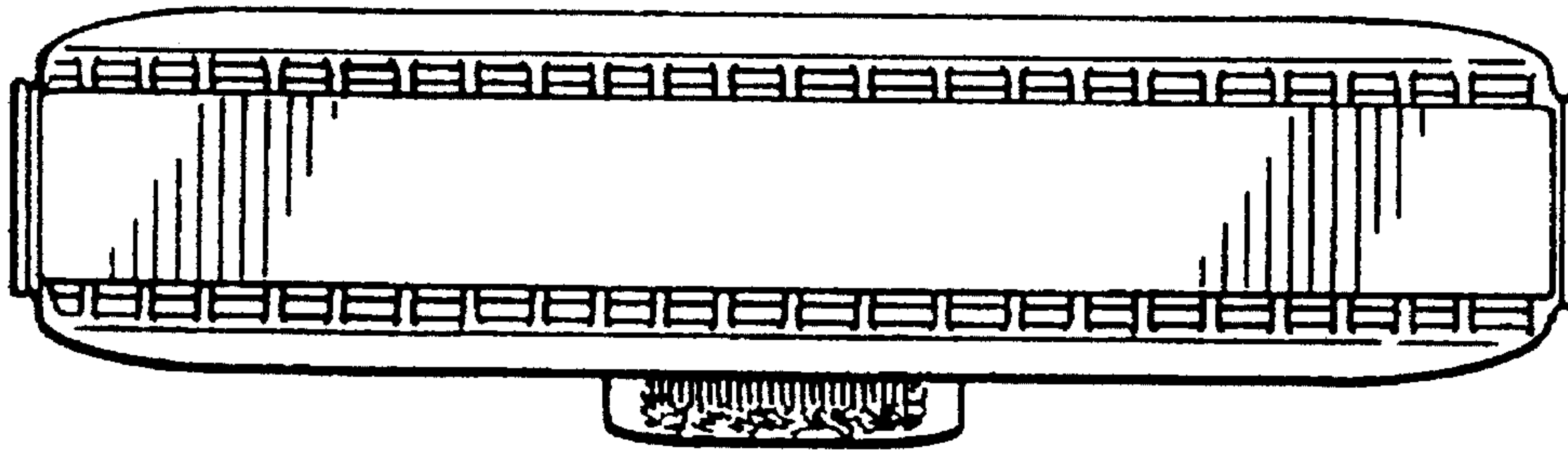


FIG. 5

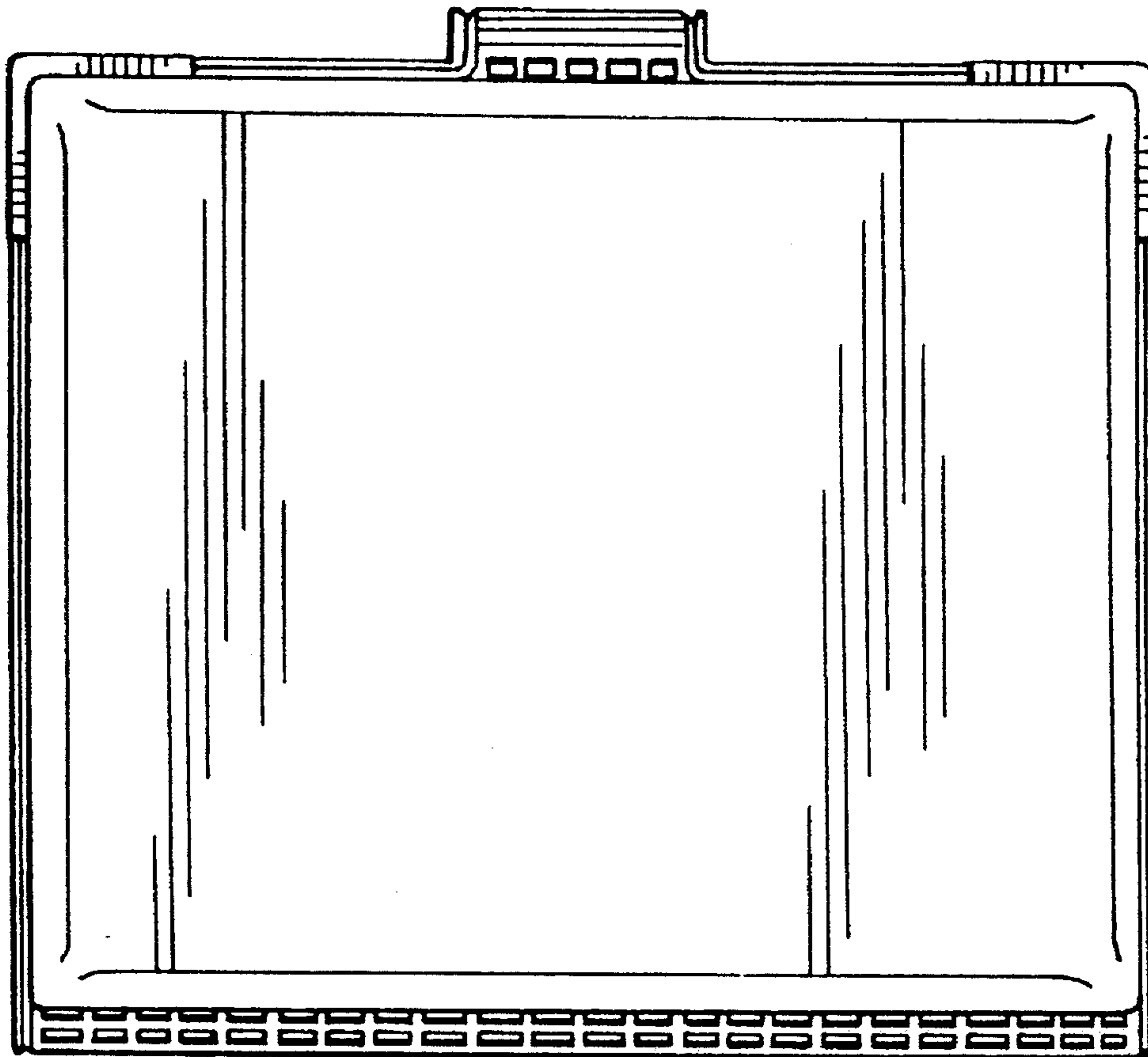


FIG. 4

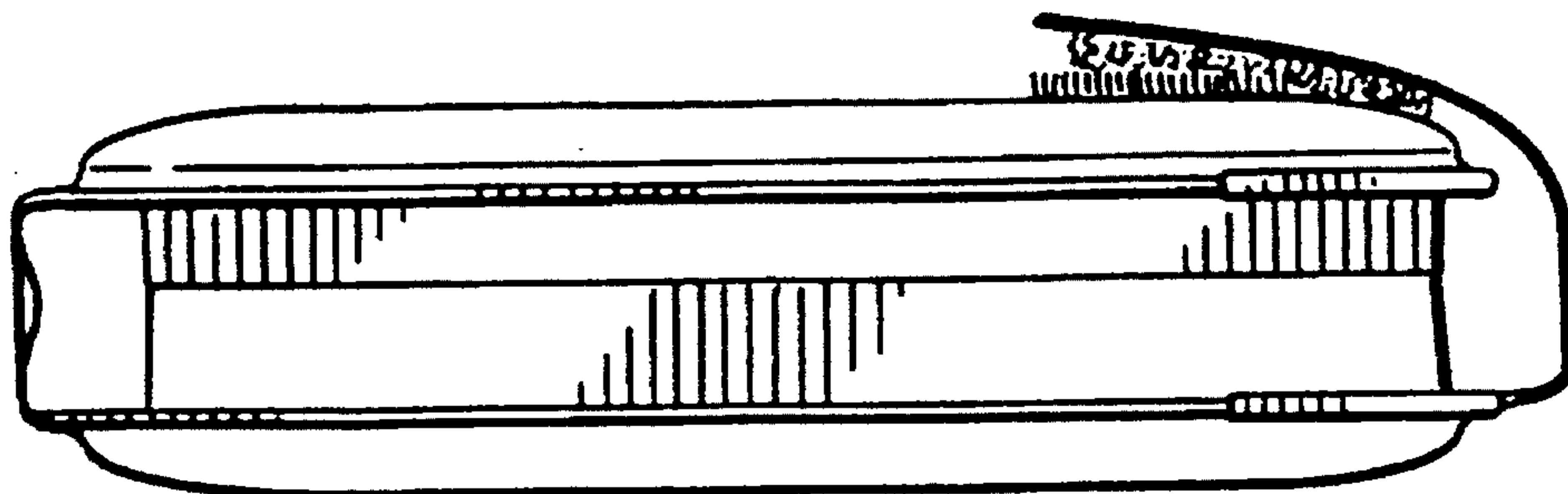


FIG. 6

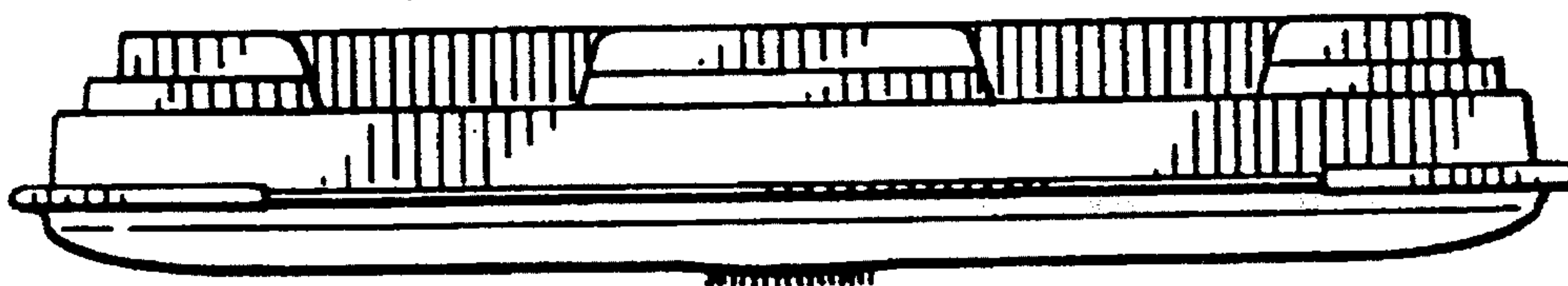


FIG. 10

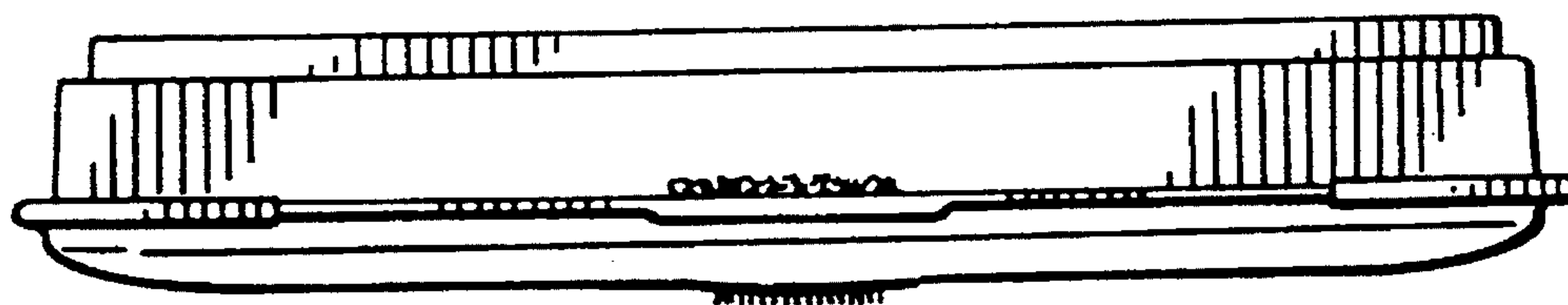


FIG. 9

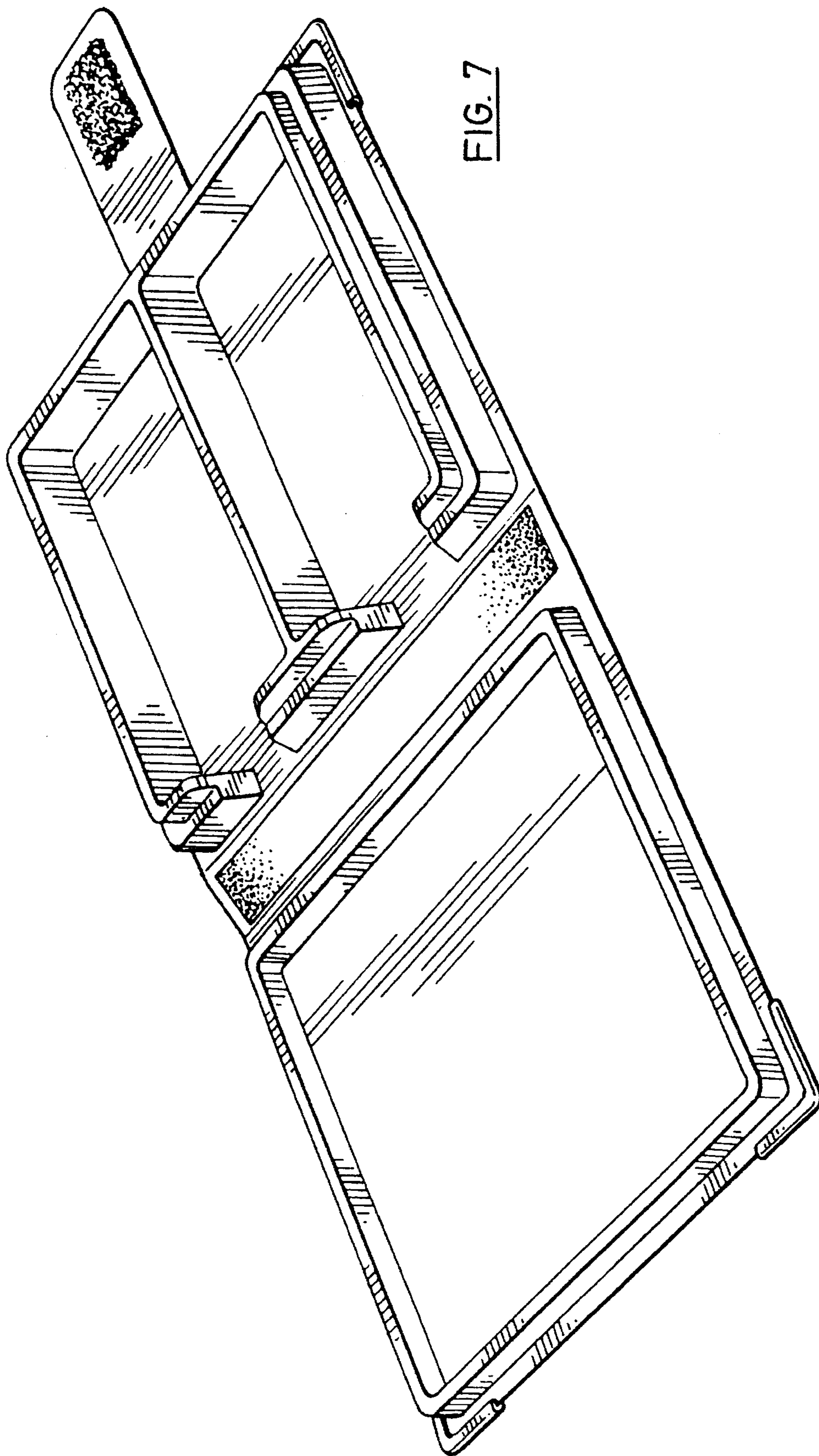


FIG. 7

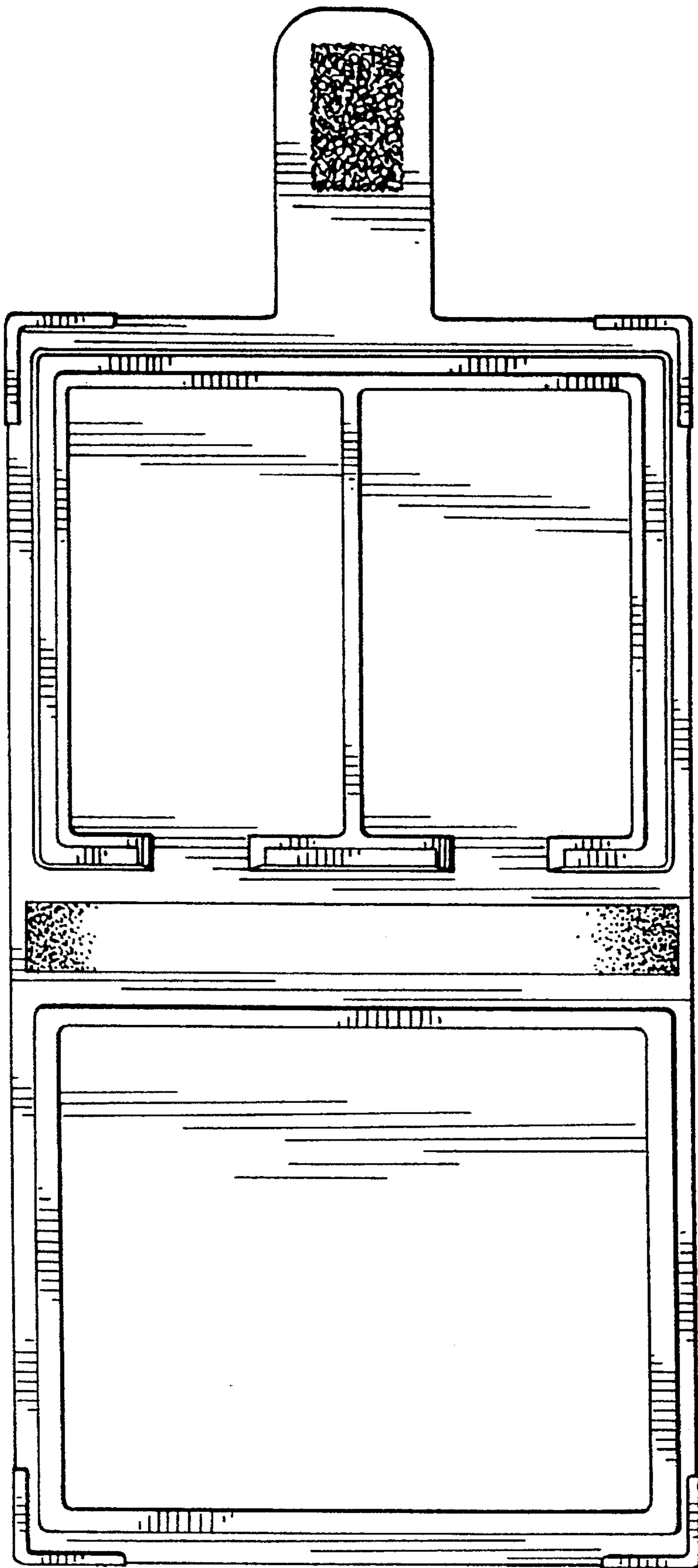


FIG. 8

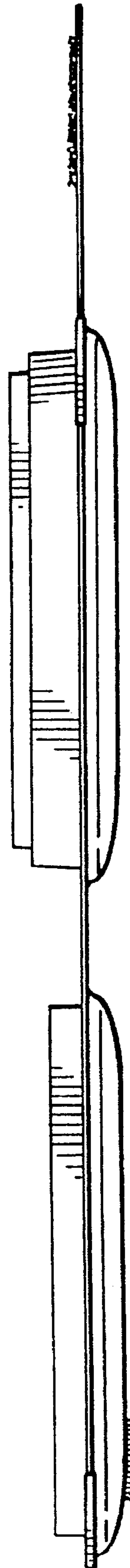


FIG. 11

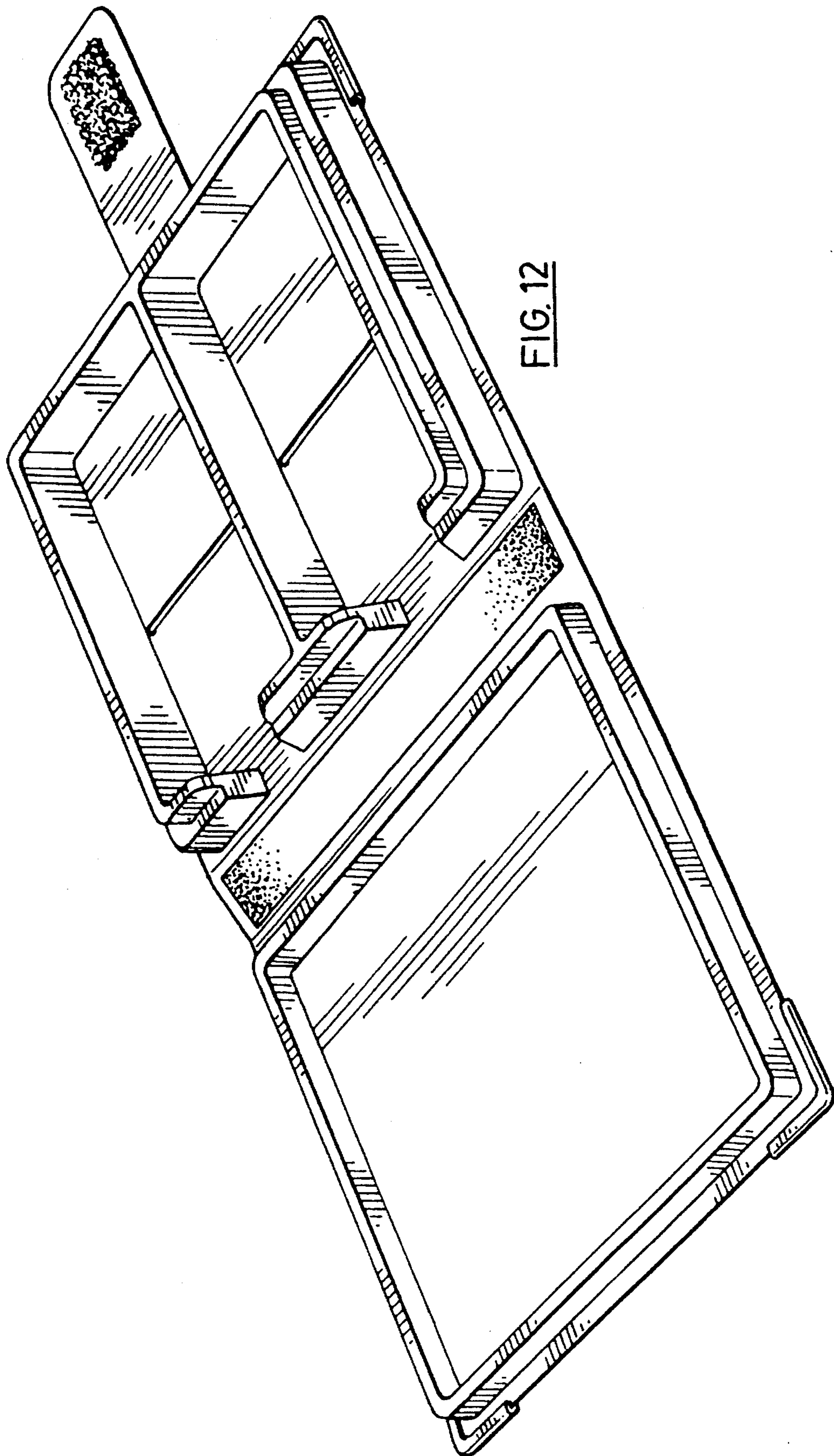


FIG. 12

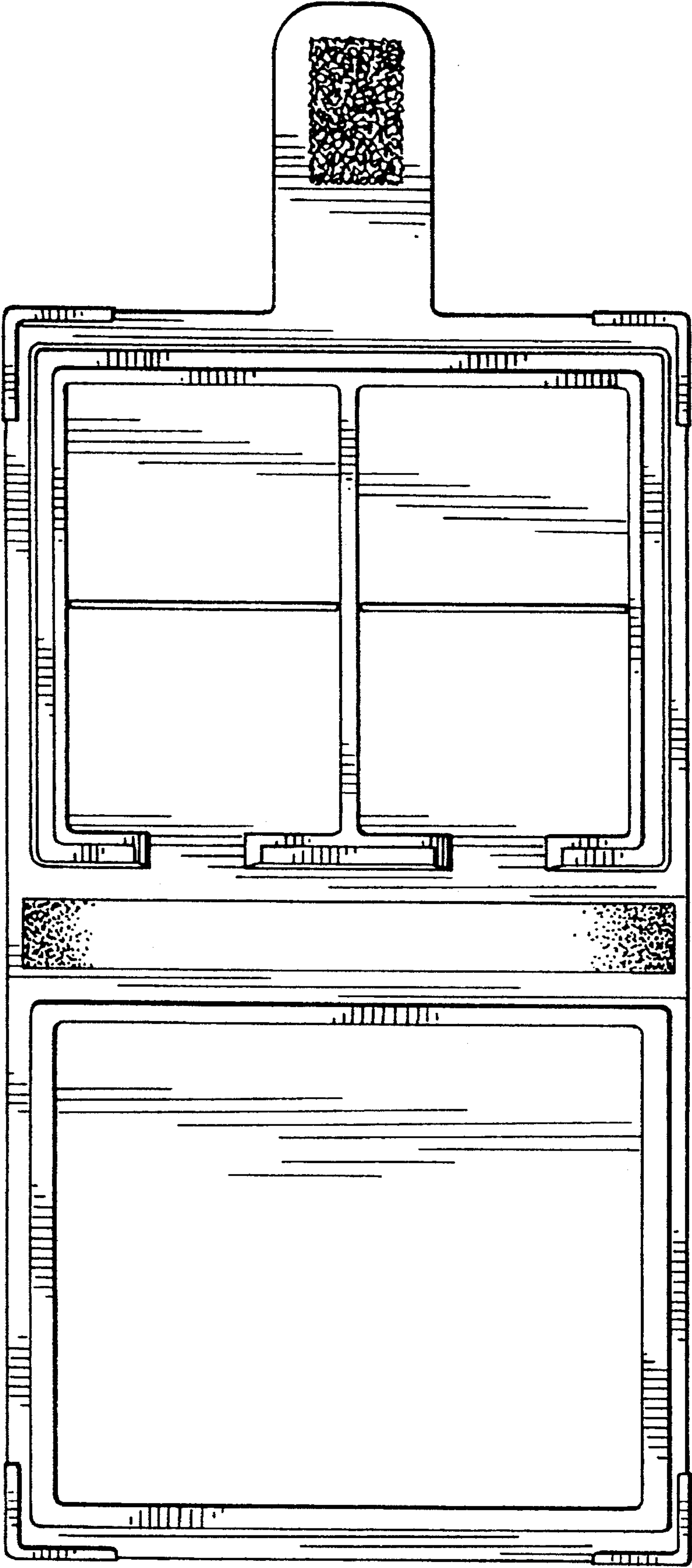


FIG.13

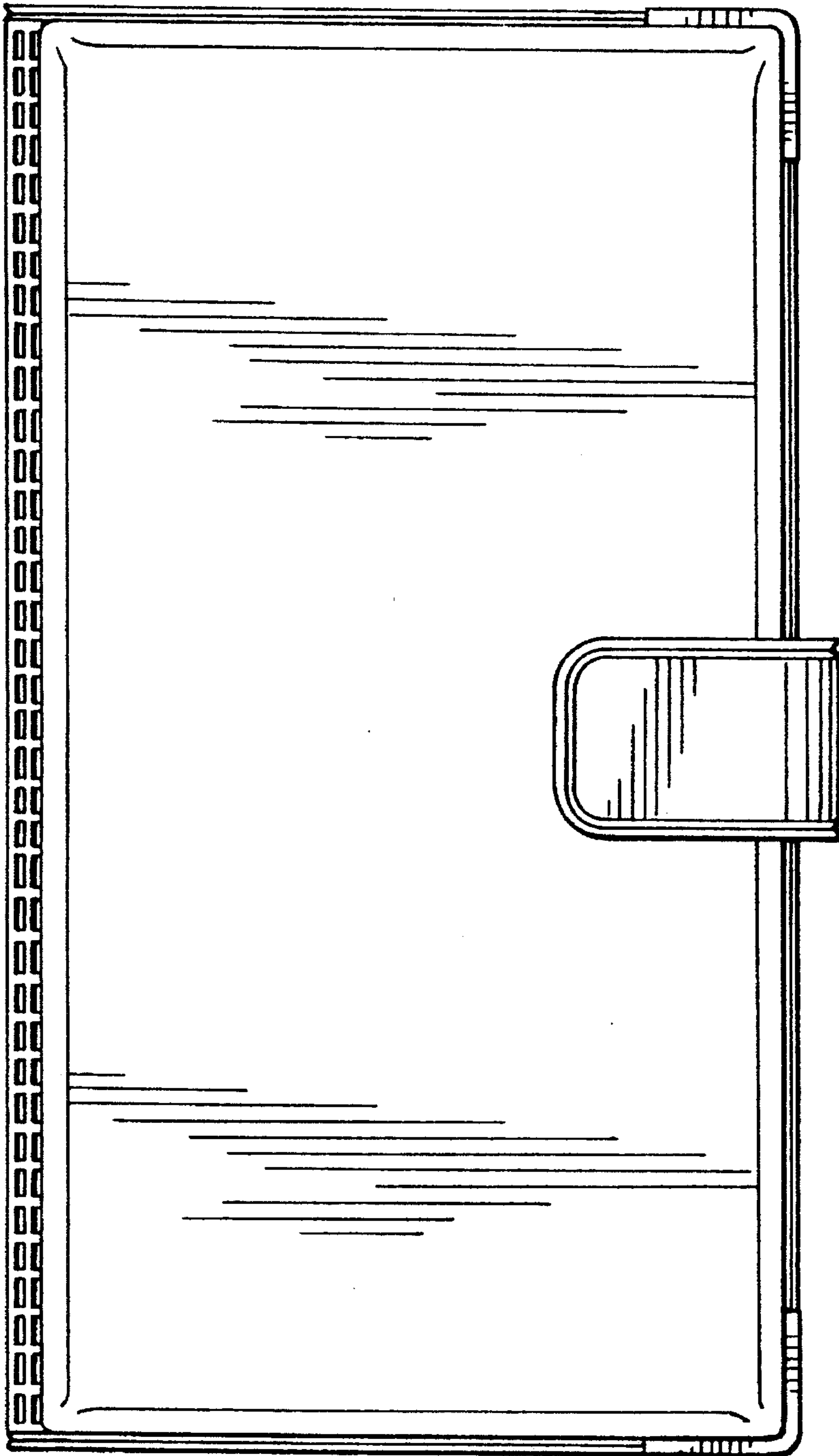


FIG. 15

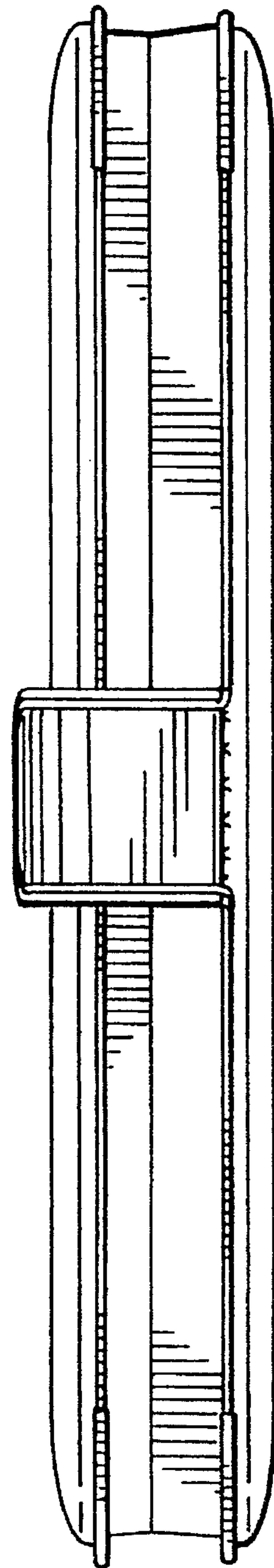


FIG. 16

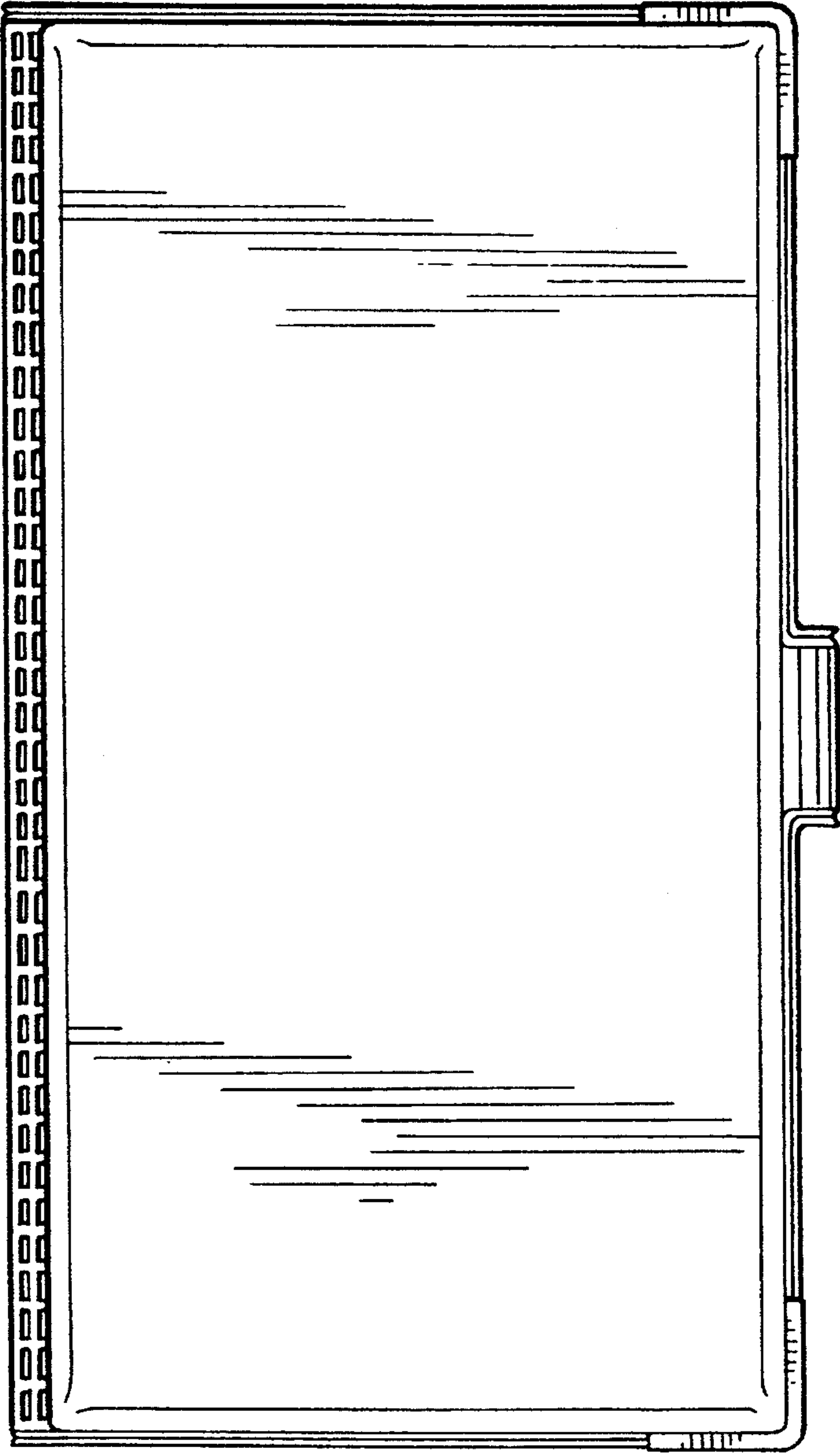


FIG. 17

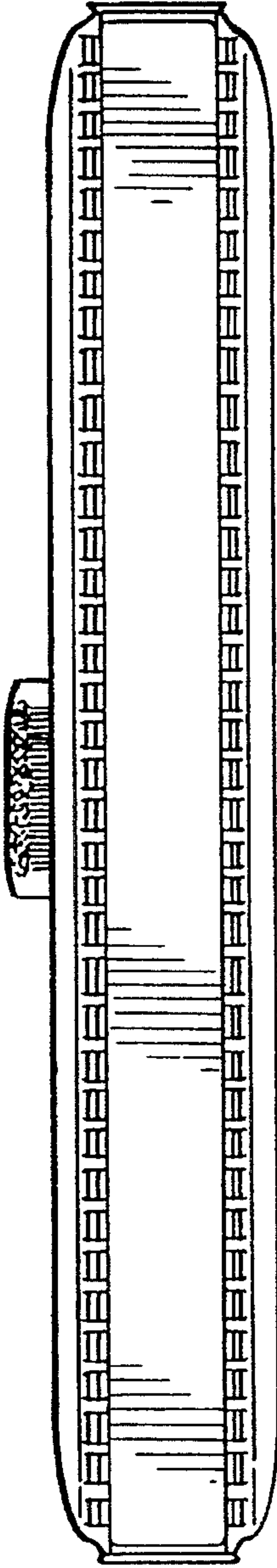


FIG. 18

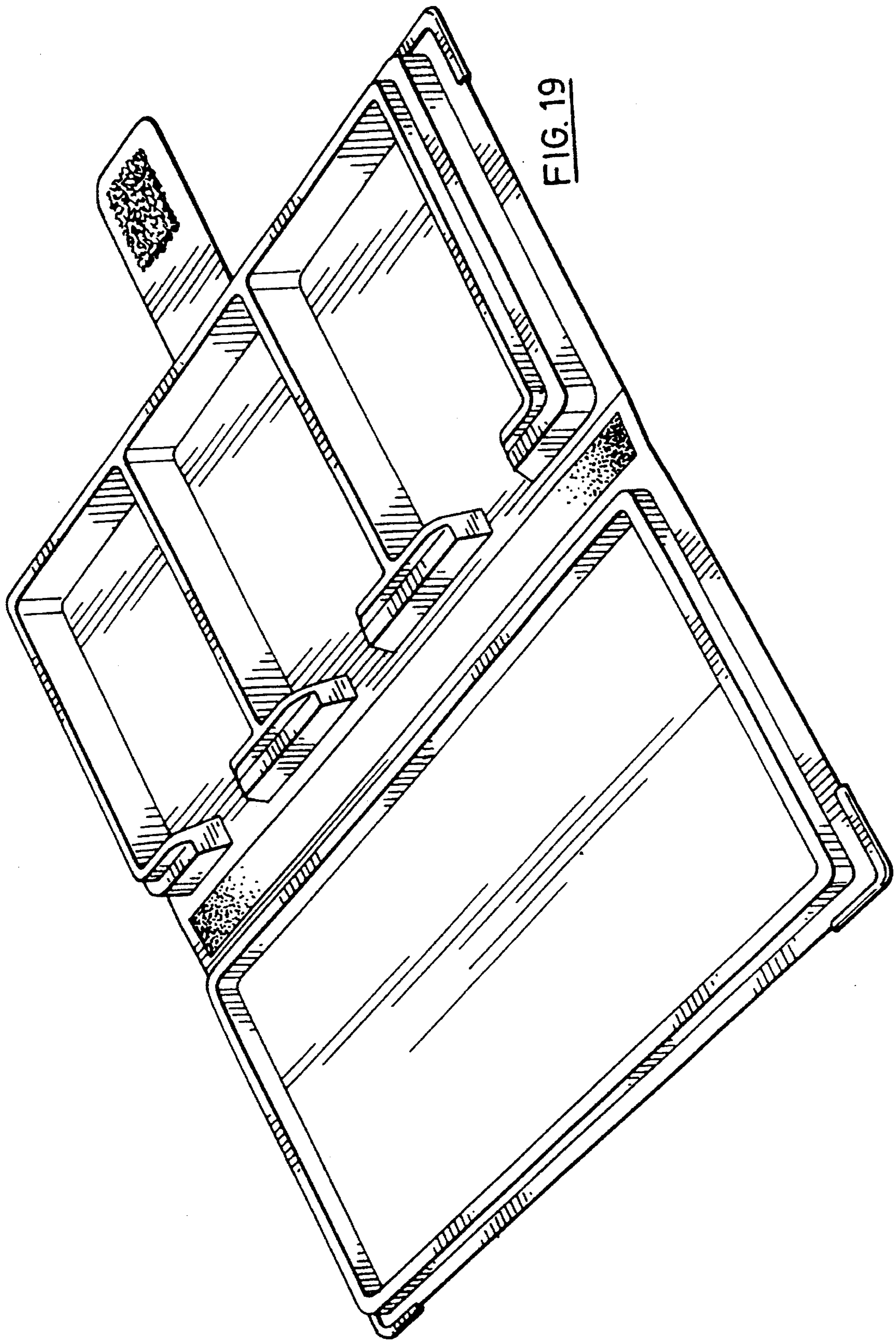
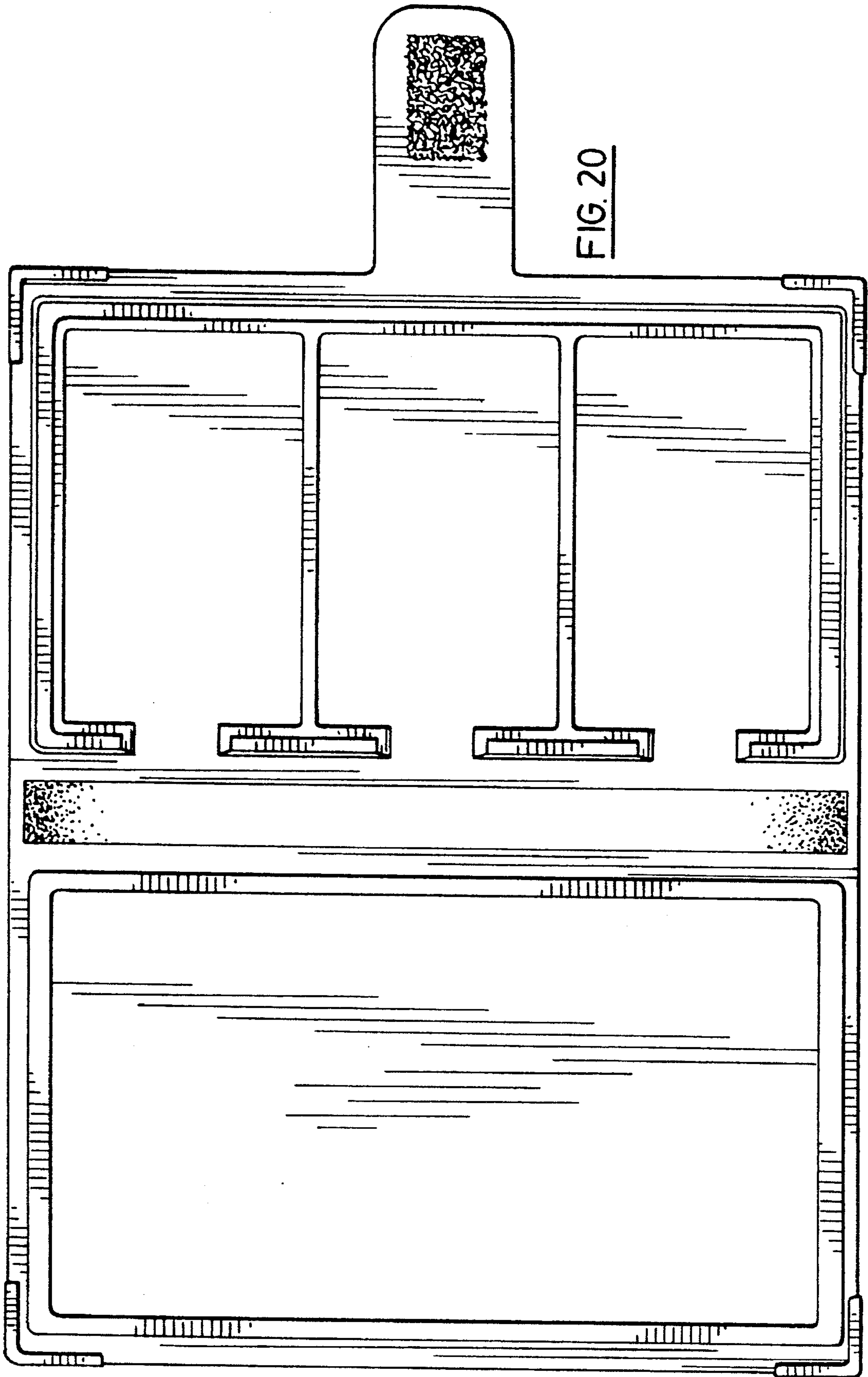


FIG. 19



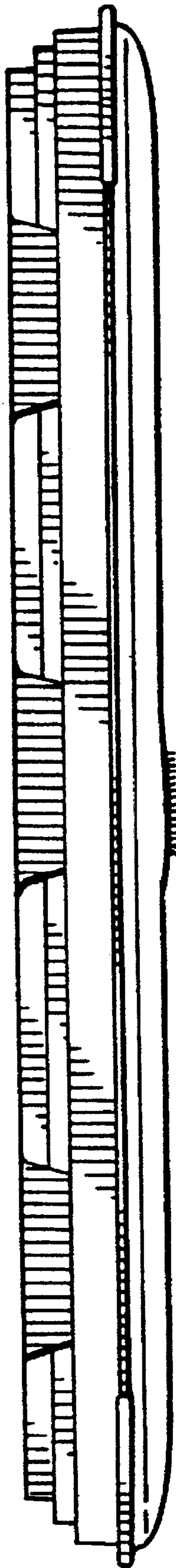


FIG. 22

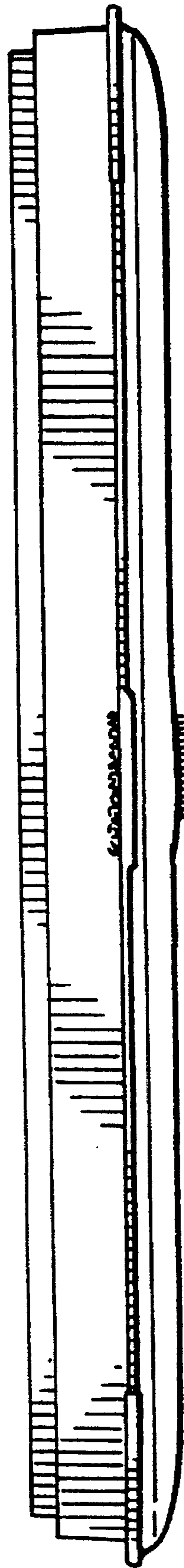


FIG. 21

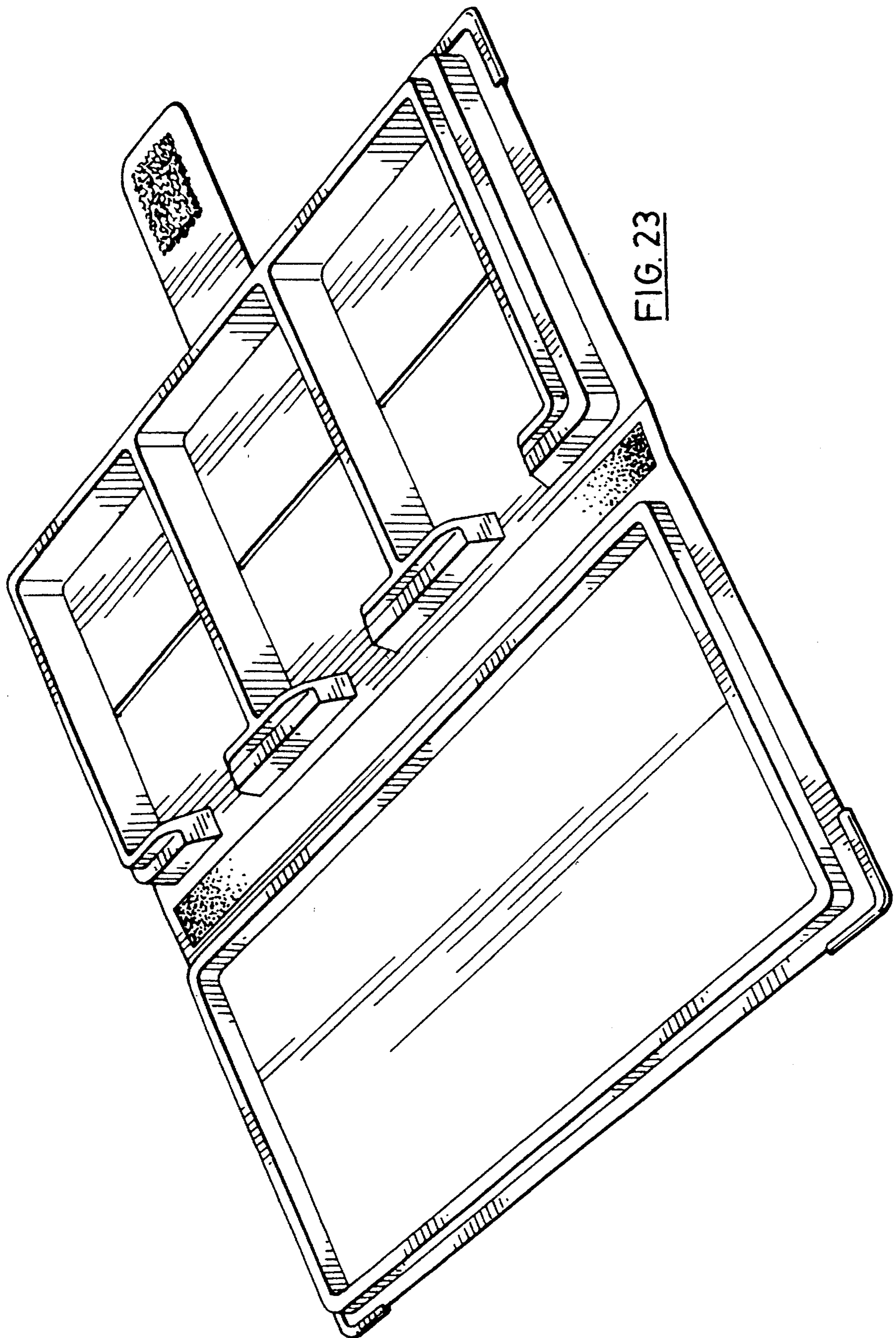


FIG. 23

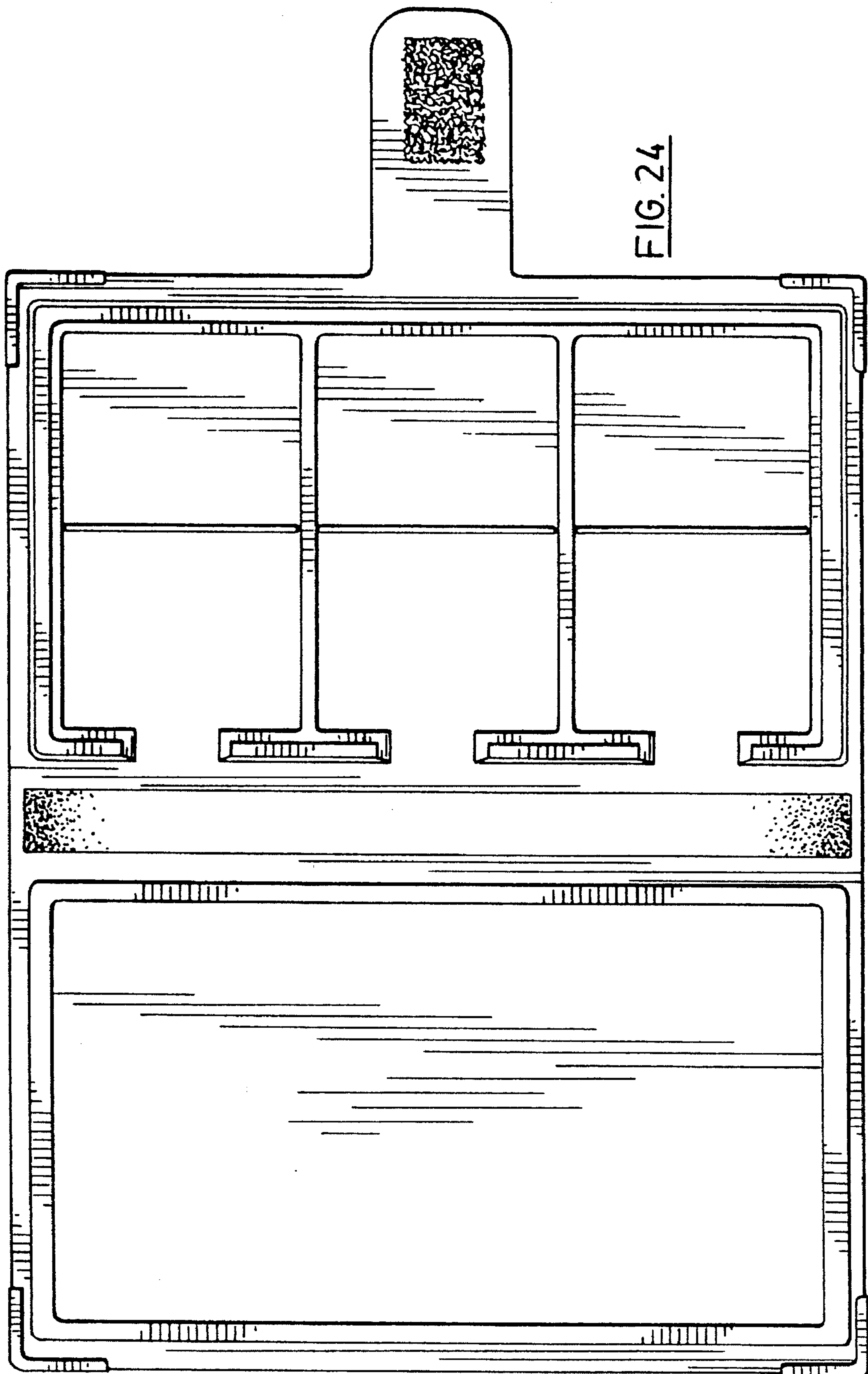


FIG. 24