



US00D369229S

United States Patent [19]
Oberheim

[11] **Patent Number: Des. 369,229**
[45] **Date of Patent: **Apr. 23, 1996**

[54] **HAIR FORMING ATTACHMENT FOR A HAIR DRYER**

[75] Inventor: **Robert Oberheim**, Liederbach, Germany

[73] Assignee: **Braun Aktiengesellschaft**, Frankfurt, Germany

[**] Term: **14 Years**

[21] Appl. No.: **35,229**

[22] Filed: **Feb. 16, 1995**

[30] **Foreign Application Priority Data**

Oct. 10, 1994 [WO] WIPO DM/030 932

[52] **U.S. Cl.** **D28/18**

[58] **Field of Search** D28/13-18; 34/96-101; 392/384, 385, 379, 380, 383; 132/271, 272, 112-118

[56] **References Cited**

U.S. PATENT DOCUMENTS

- D. 259,742 6/1981 Iammatteo D28/18
- D. 265,597 7/1982 Forsberg D28/18
- D. 323,039 1/1992 Lerner D28/13
- D. 349,585 8/1994 Rizzuto, Jr. D28/18
- 4,295,283 10/1981 Tomaro 34/97
- 5,060,398 10/1991 Wolens 34/97 X
- 5,275,339 1/1994 Andis et al. D28/18 X
- 5,392,528 2/1995 McDougall 392/383 X

FOREIGN PATENT DOCUMENTS

473822 3/1992 European Pat. Off. 392/379

- 2226954 7/1990 United Kingdom 392/385
- 2230184 4/1992 United Kingdom .
- DM/021077 11/1992 WIPO .
- DM/021436 12/1992 WIPO .
- DM/026556 4/1993 WIPO .
- DM/027996 1/1994 WIPO .
- DM/029244 5/1994 WIPO .
- DM/030274 9/1994 WIPO .

OTHER PUBLICATIONS

Hong Kong Enterprise Oct. 1991, p. 844: hair dryer with attachment at top of page.
Hong Kong Enterprise Oct. 1990, p. 374: Grand Champion diffuser at top of page.
Hong Kong Enterprise Jun. 1992, p. 264: item #PT-138 at top of page.

Primary Examiner—Ted Shooman
Assistant Examiner—C. Tuttle
Attorney, Agent, or Firm—Edward S. Podszus

[57] **CLAIM**

The ornamental design for a hair forming attachment for a hair dryer, as shown and described.

DESCRIPTION

FIG. 1 is a front and left side perspective view of the hair forming attachment for a hair dryer showing my design; FIG. 2 is a front view thereof; FIG. 3 is a right-side view thereof; FIG. 4 is a left-side view thereof; FIG. 5 is a rear view thereof; FIG. 6 is a top plan view thereof; and, FIG. 7 is a bottom plan view thereof.

1 Claim, 4 Drawing Sheets

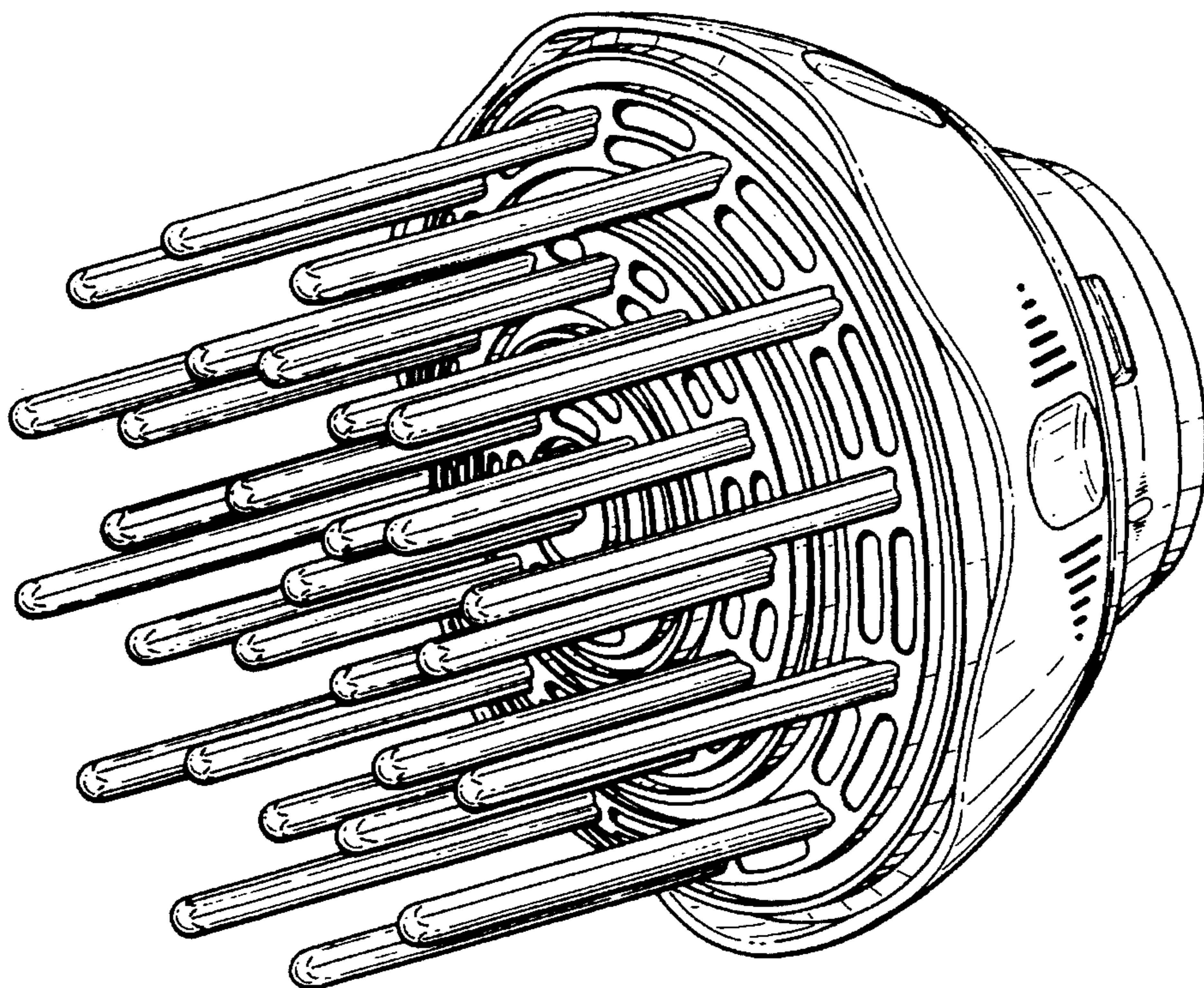


Fig. 1

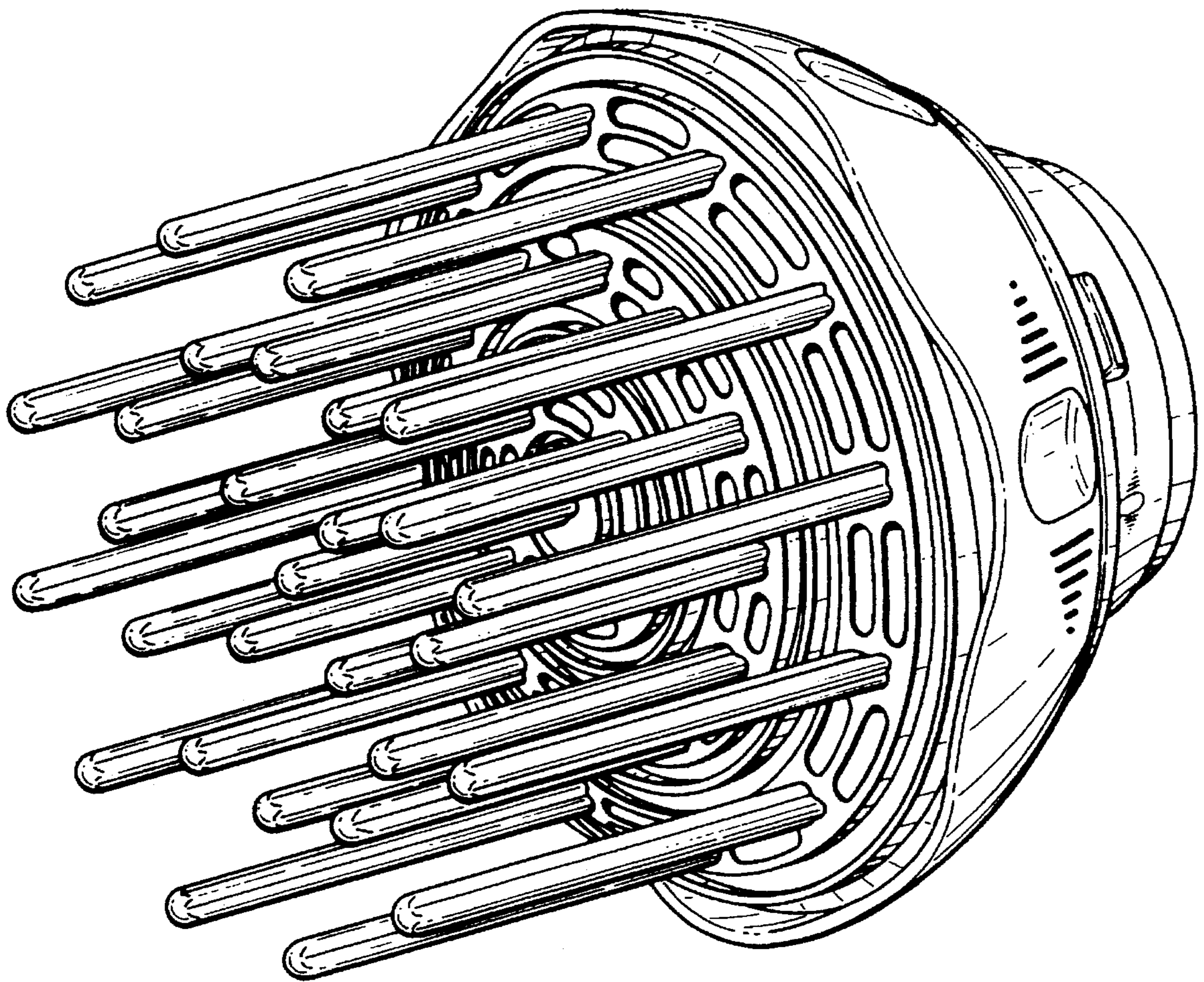


Fig. 2

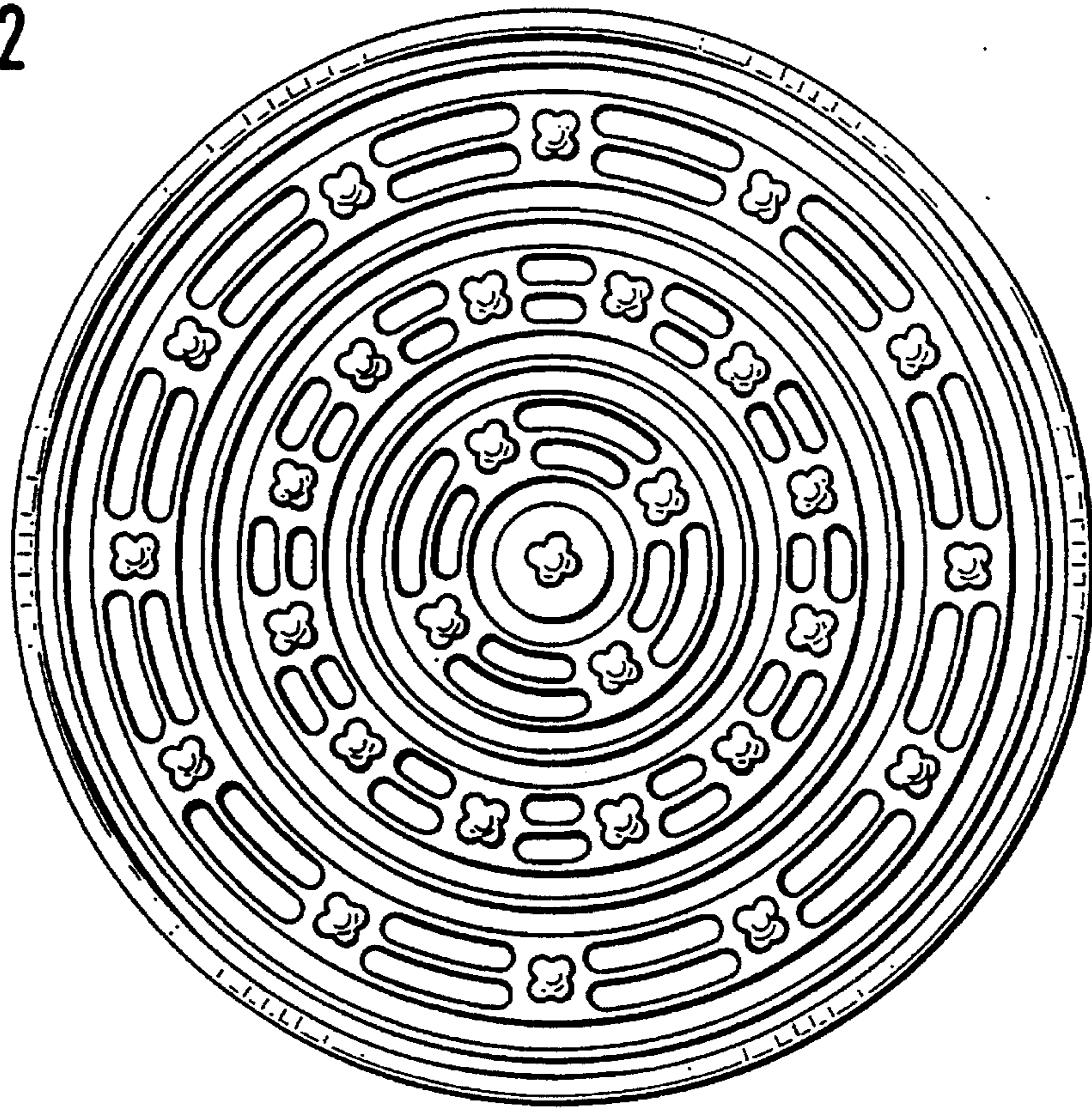


Fig. 5

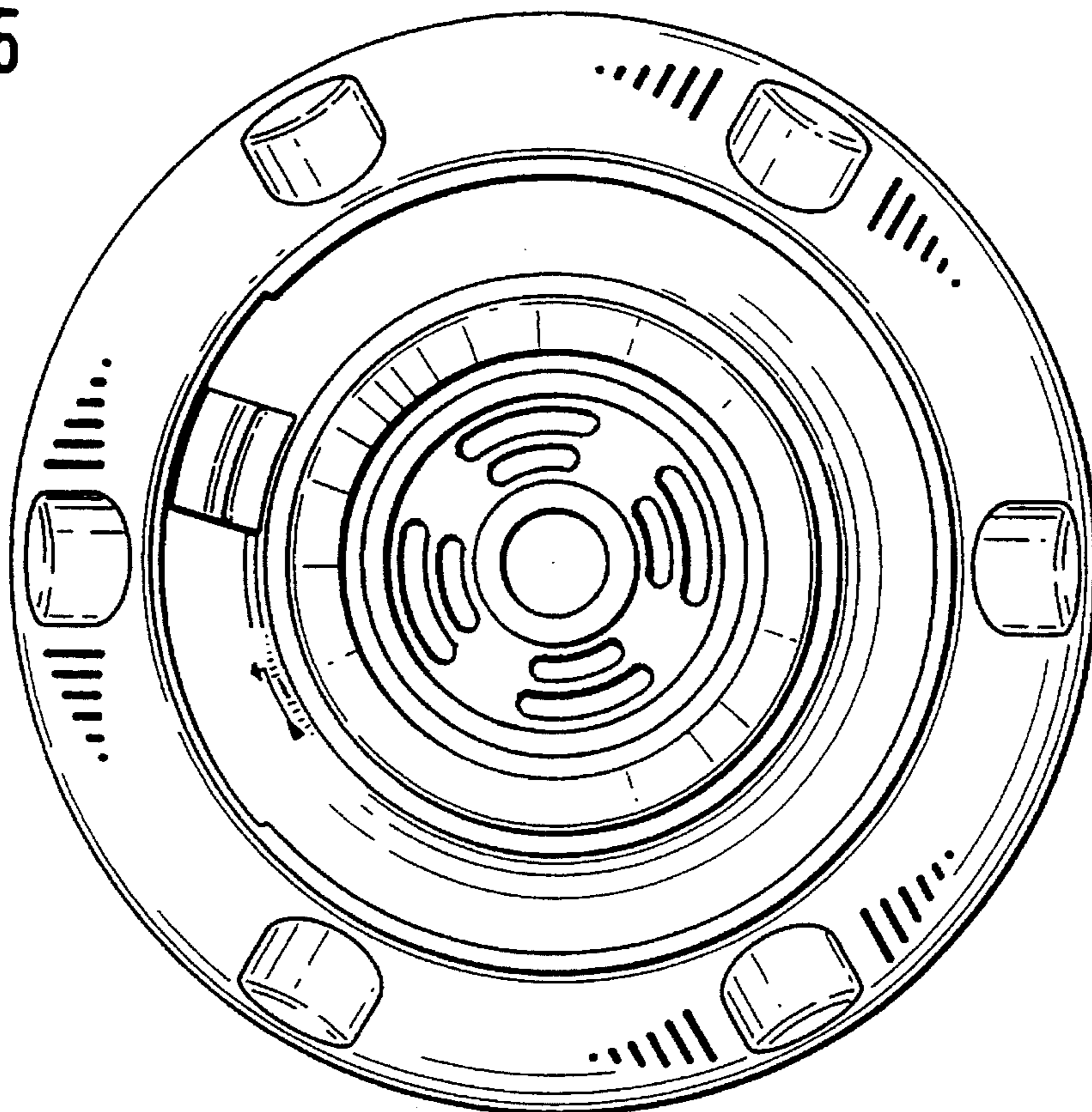


Fig. 3

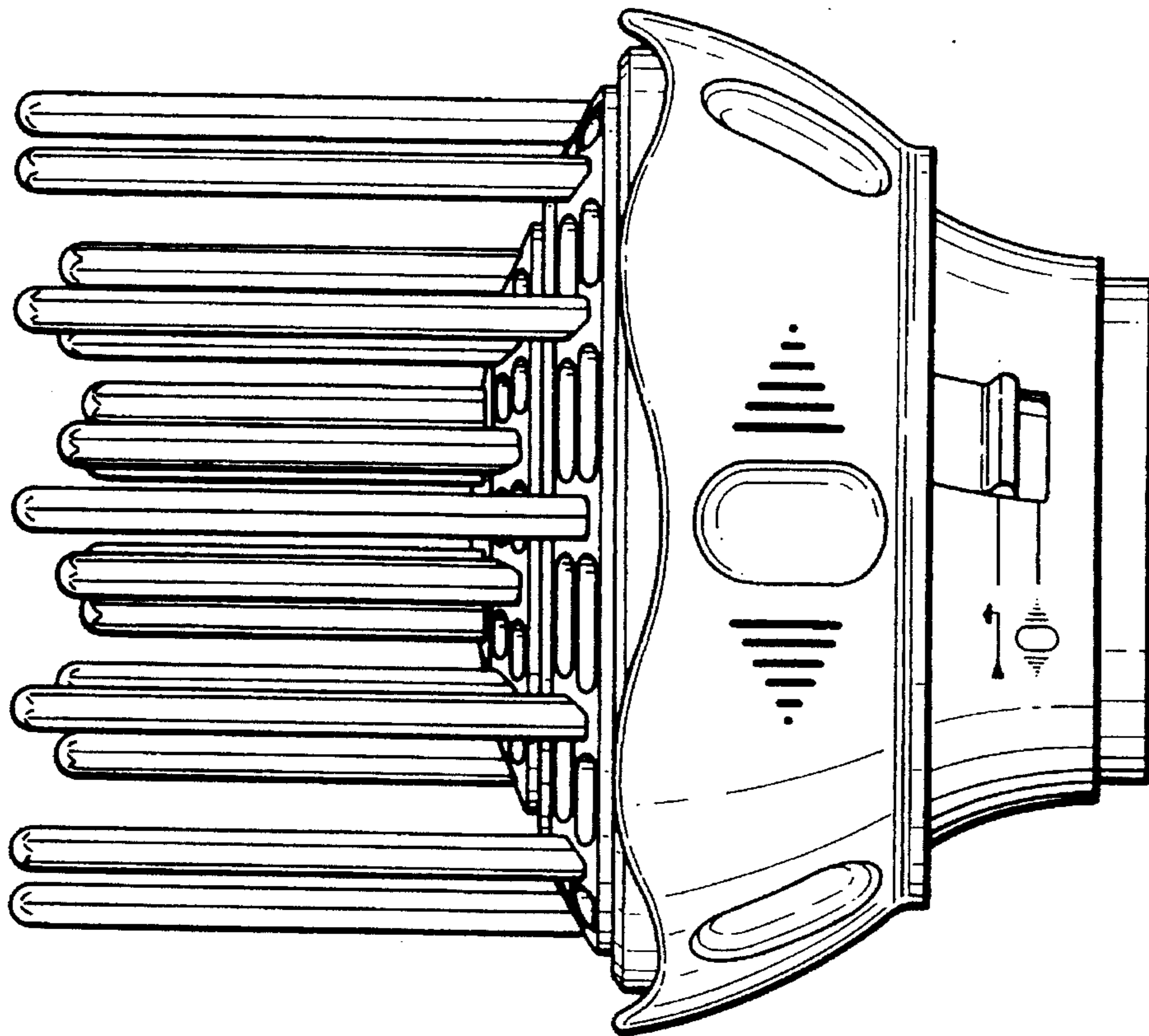


Fig. 7

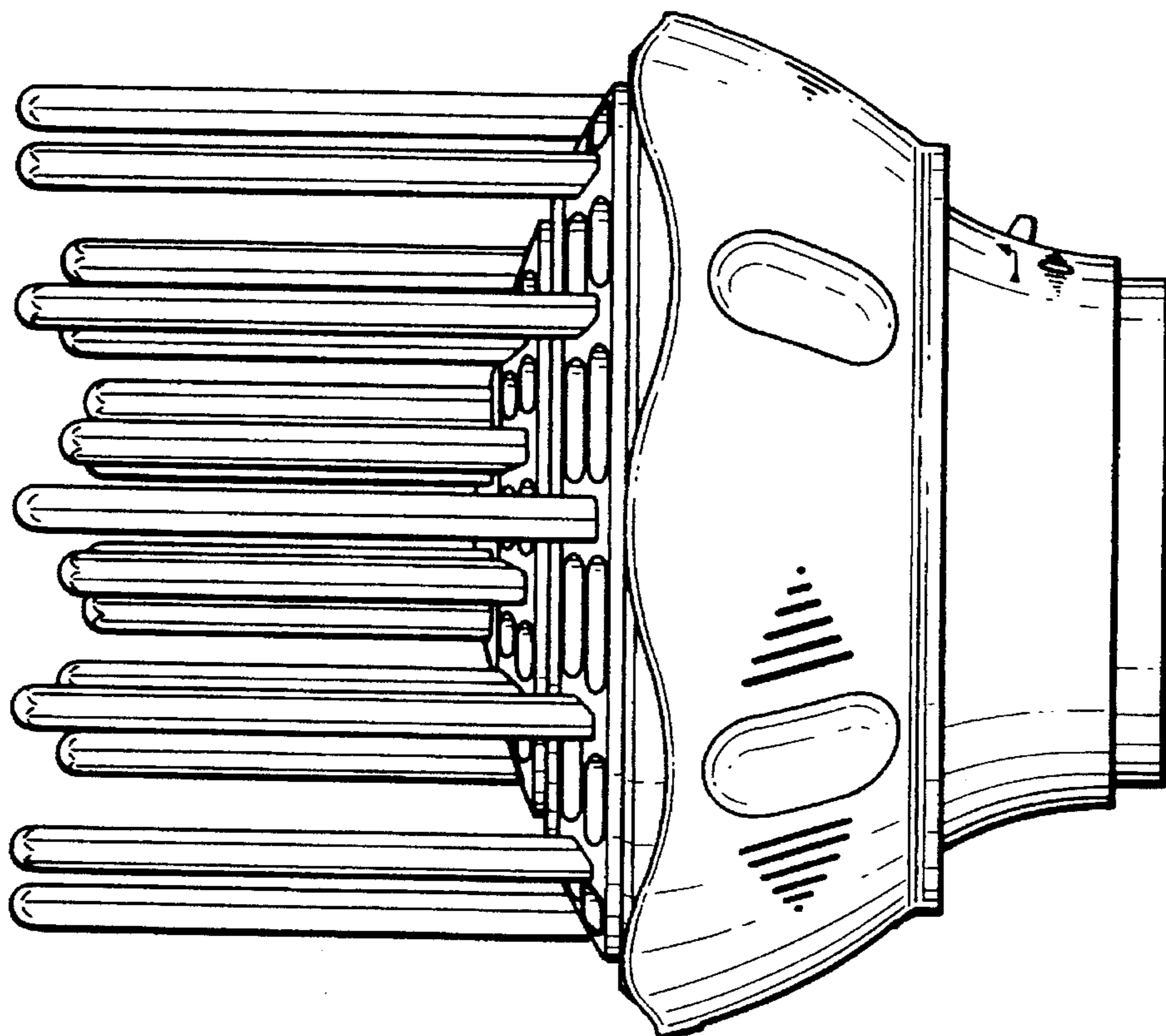


Fig. 6

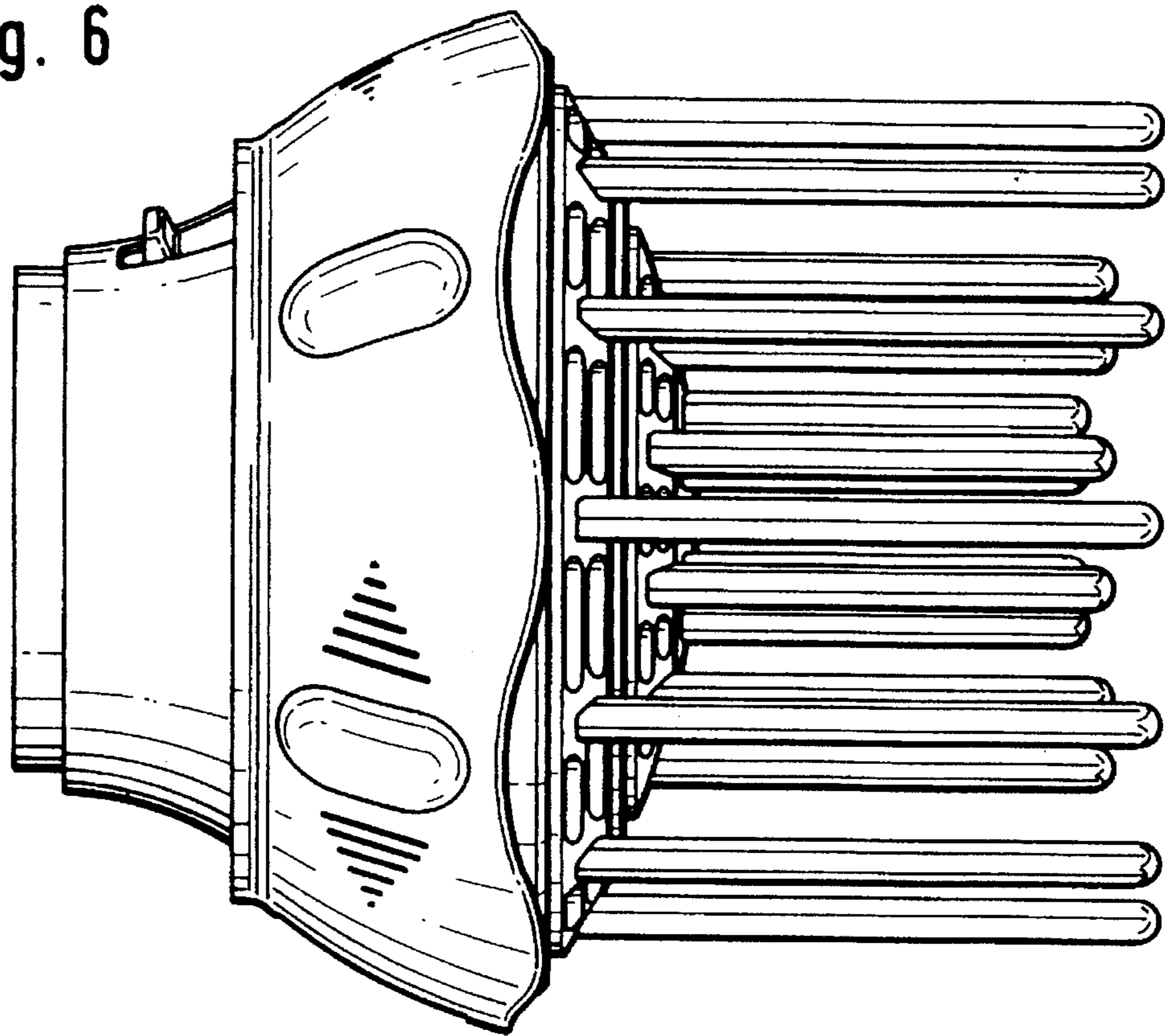


Fig. 4

