



US00D369227S

United States Patent [19] Sumer

[11] Patent Number: **Des. 369,227**
[45] Date of Patent: ****Apr. 23, 1996**

[54] **PORTABLE LIGHTING FIXTURE**
[75] Inventor: **Suleyman O. Sumer**, Chapel Hill, N.C.
[73] Assignee: **Regent Lighting Corporation**,
Burlington, N.C.
[**] Term: **14 Years**
[21] Appl. No.: **34,030**
[22] Filed: **Jan. 25, 1995**
[52] U.S. Cl. **D26/63**
[58] Field of Search D26/60-66; 362/269,
362/274, 275, 285, 418, 419, 427, 376

Primary Examiner—Susan J. Lucas

[57] CLAIM

The ornamental design for a portable lighting fixture, as shown and described.

DESCRIPTION

FIG. 1 is a side elevational view of the portable lighting fixture, taken from the left-hand side of FIG. 2;

FIG. 2 is a front elevational view of the portable lighting fixture;

FIG. 3 is a top plan view of the portable lighting fixture of FIGS. 1 and 2;

FIG. 4 is a side elevational view of the portable lighting fixture, taken from the right-hand side of FIG. 2;

FIG. 5 is a back elevational view of the portable lighting fixture; and,

FIG. 6 is a bottom plan view of the portable lighting fixture.

[56] References Cited

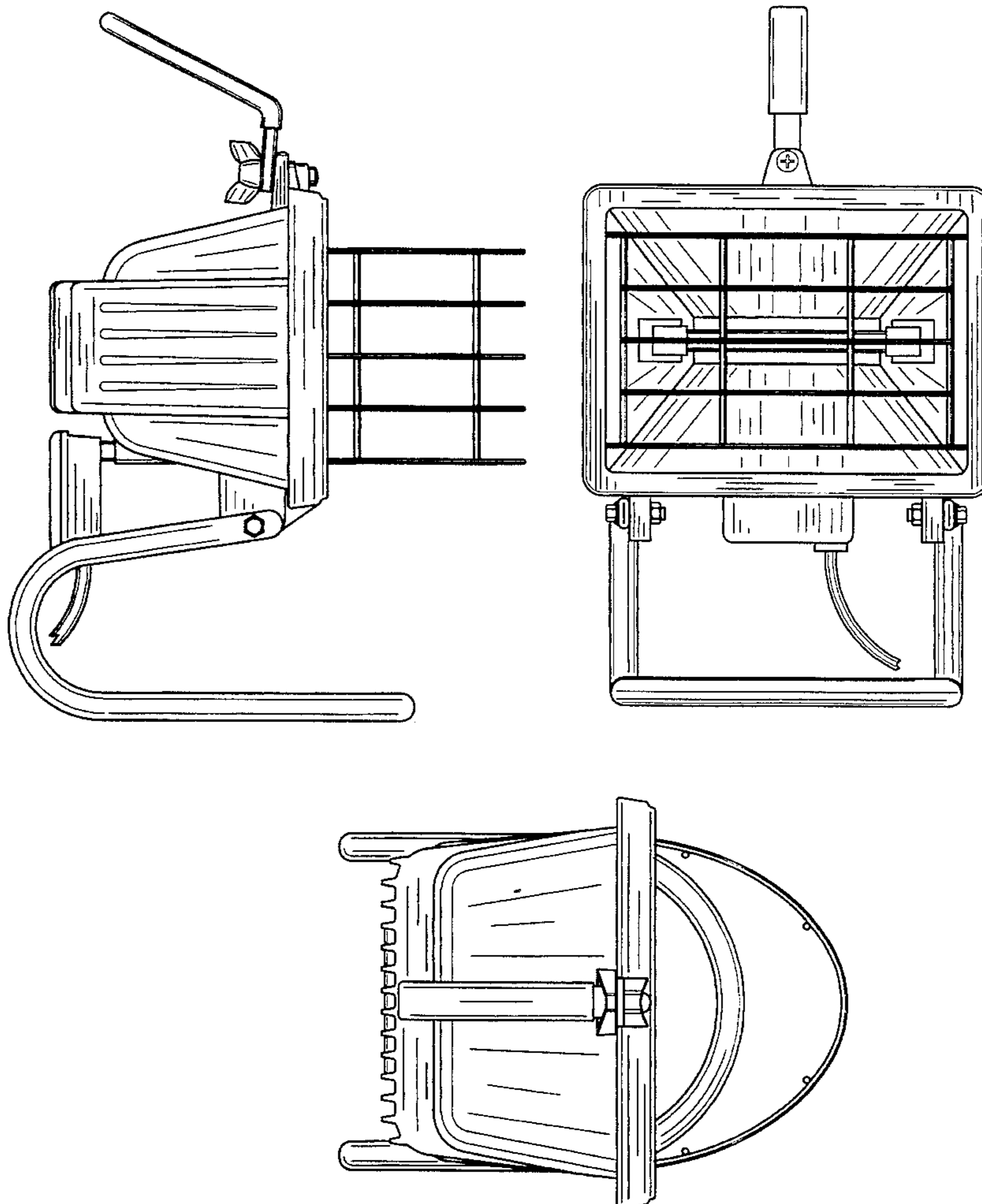
U.S. PATENT DOCUMENTS

D. 345,026	3/1994	Pottebaum	D26/63
5,195,823	3/1993	Sidabras	362/269 X
5,205,645	4/1993	Lee	362/427 X
5,243,507	9/1993	Atkins et al.	362/376

OTHER PUBLICATIONS

Home Lighting & Accessories, Apr. 1990, p. 67, portable floodlight.

1 Claim, 6 Drawing Sheets



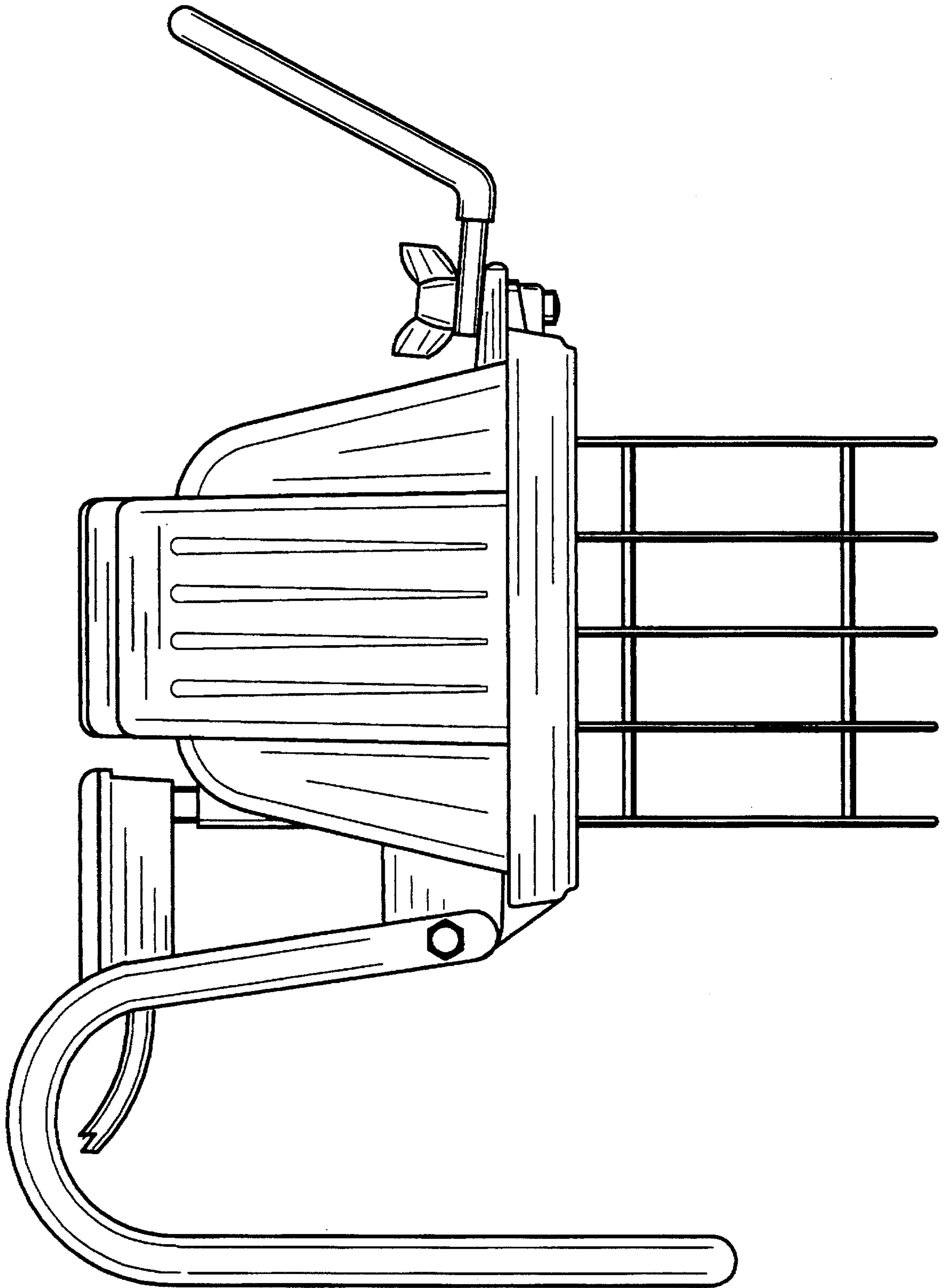


Fig. 1

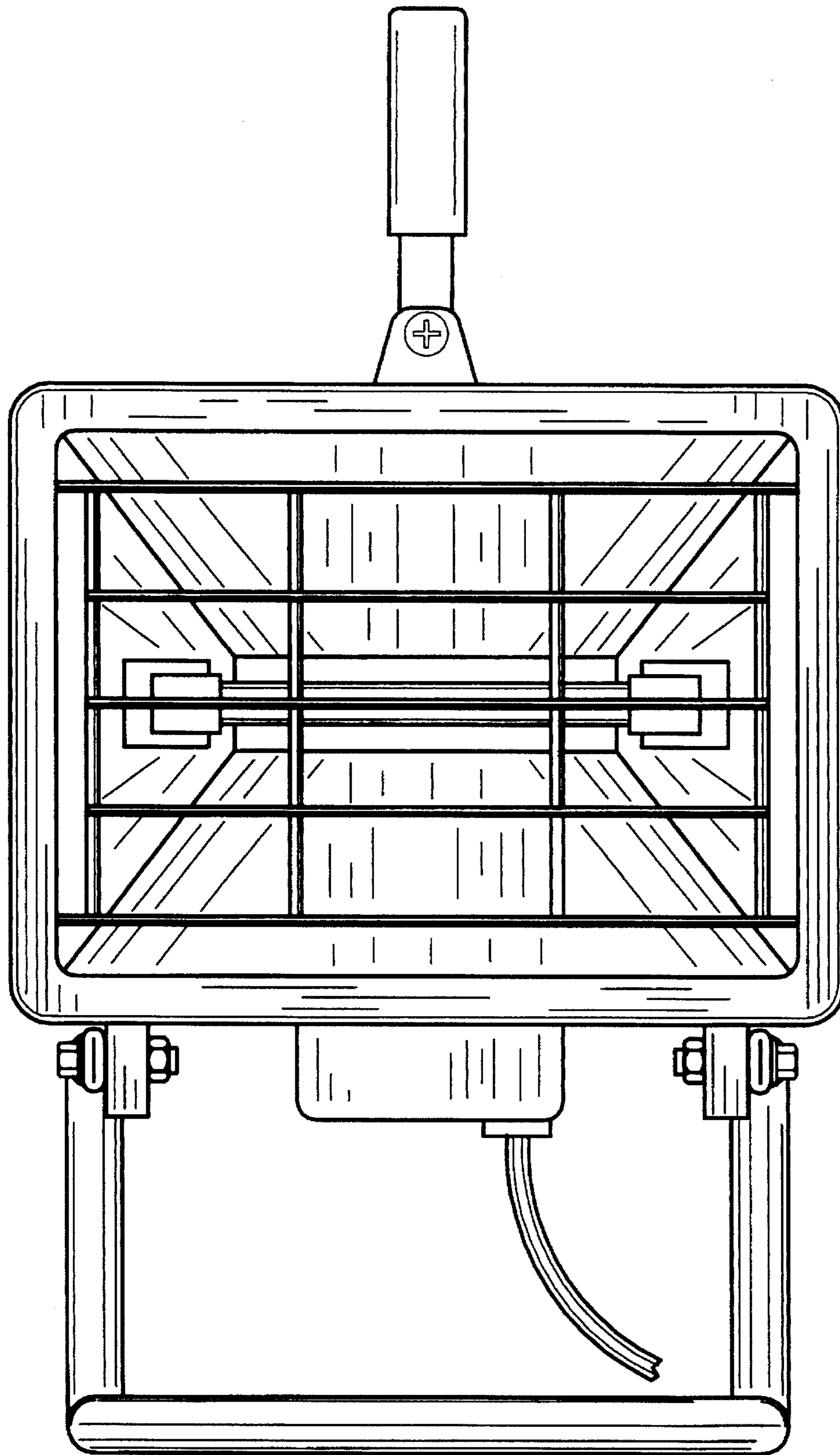


Fig. 2

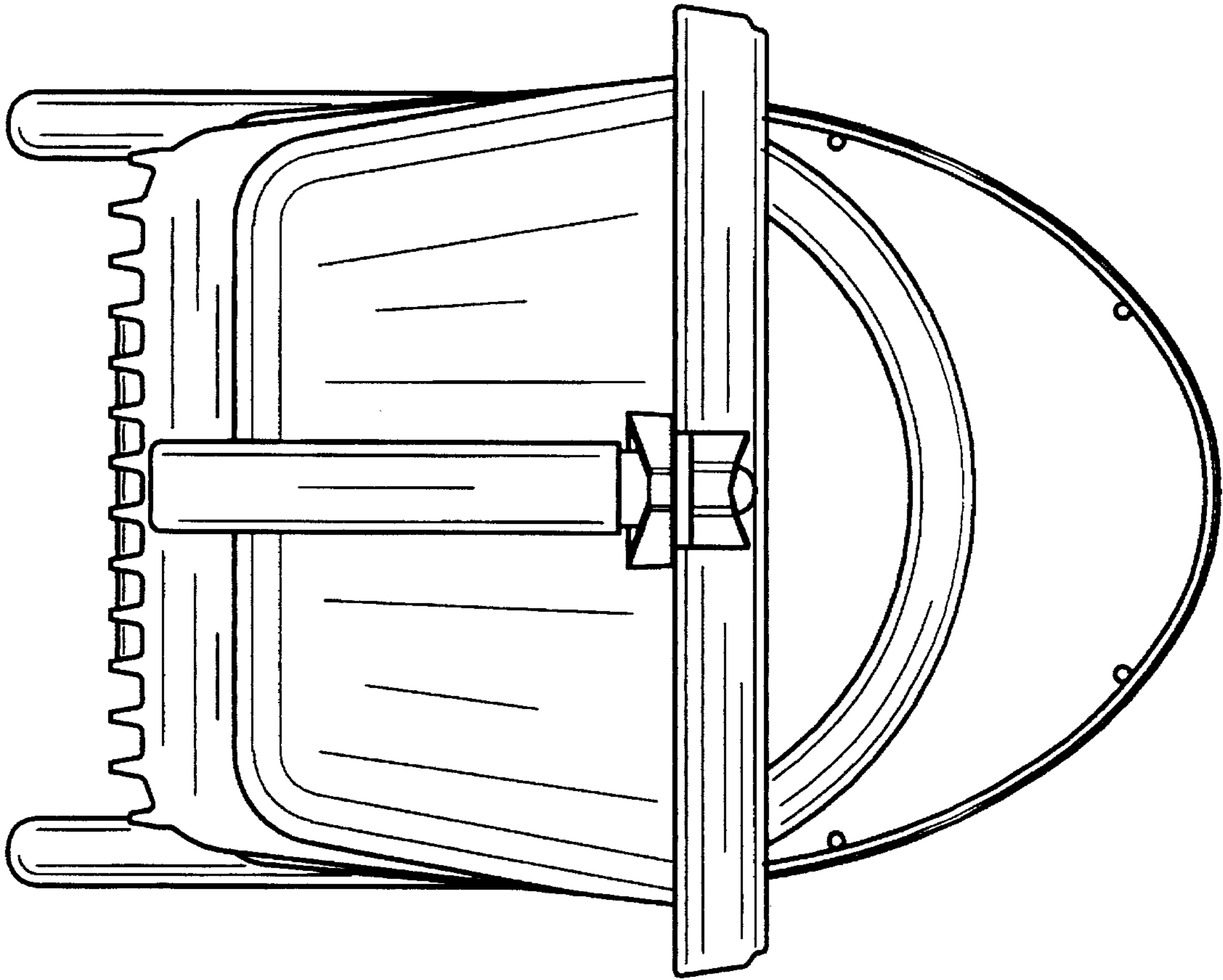


Fig. 3

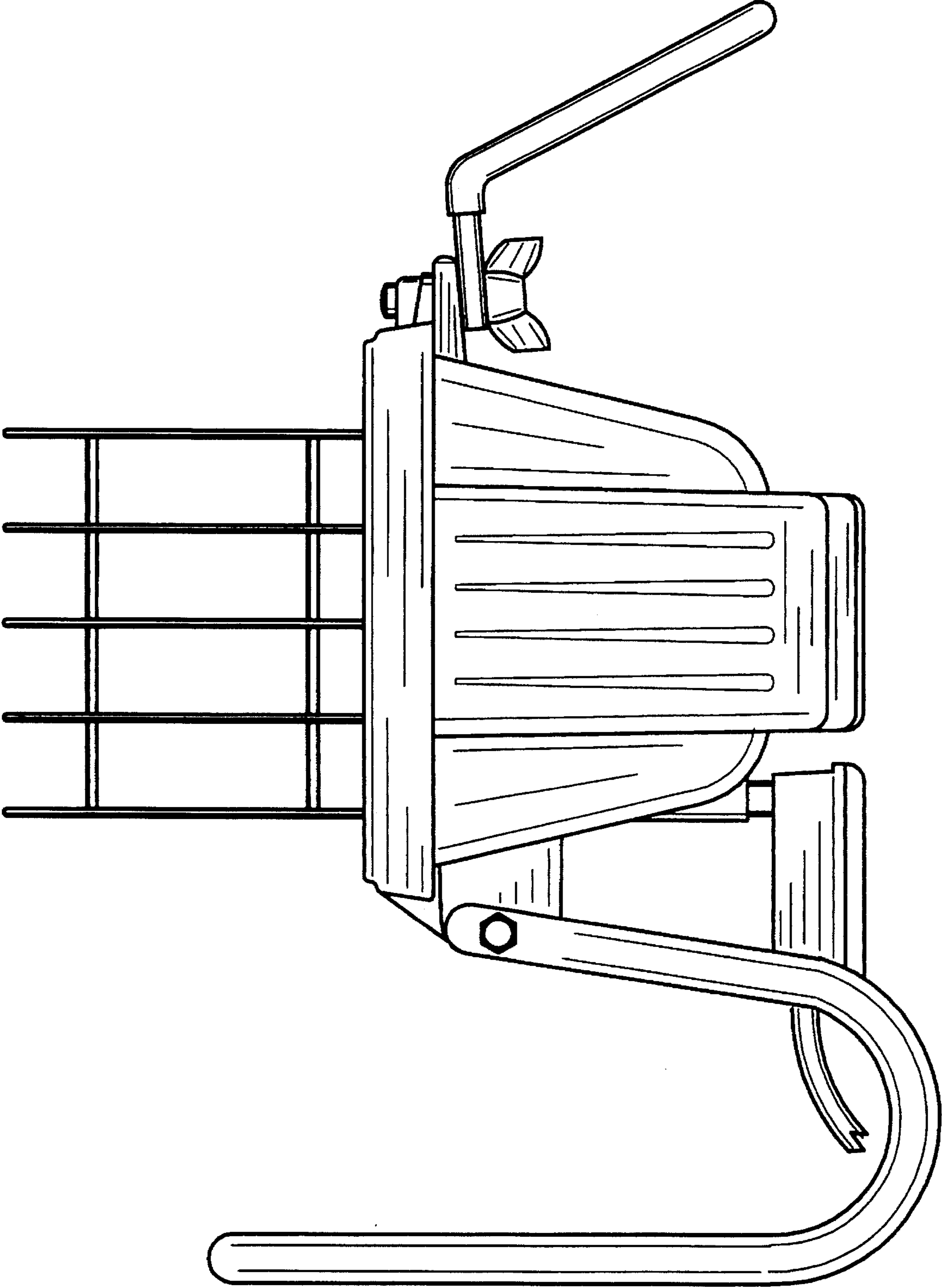


Fig. 4

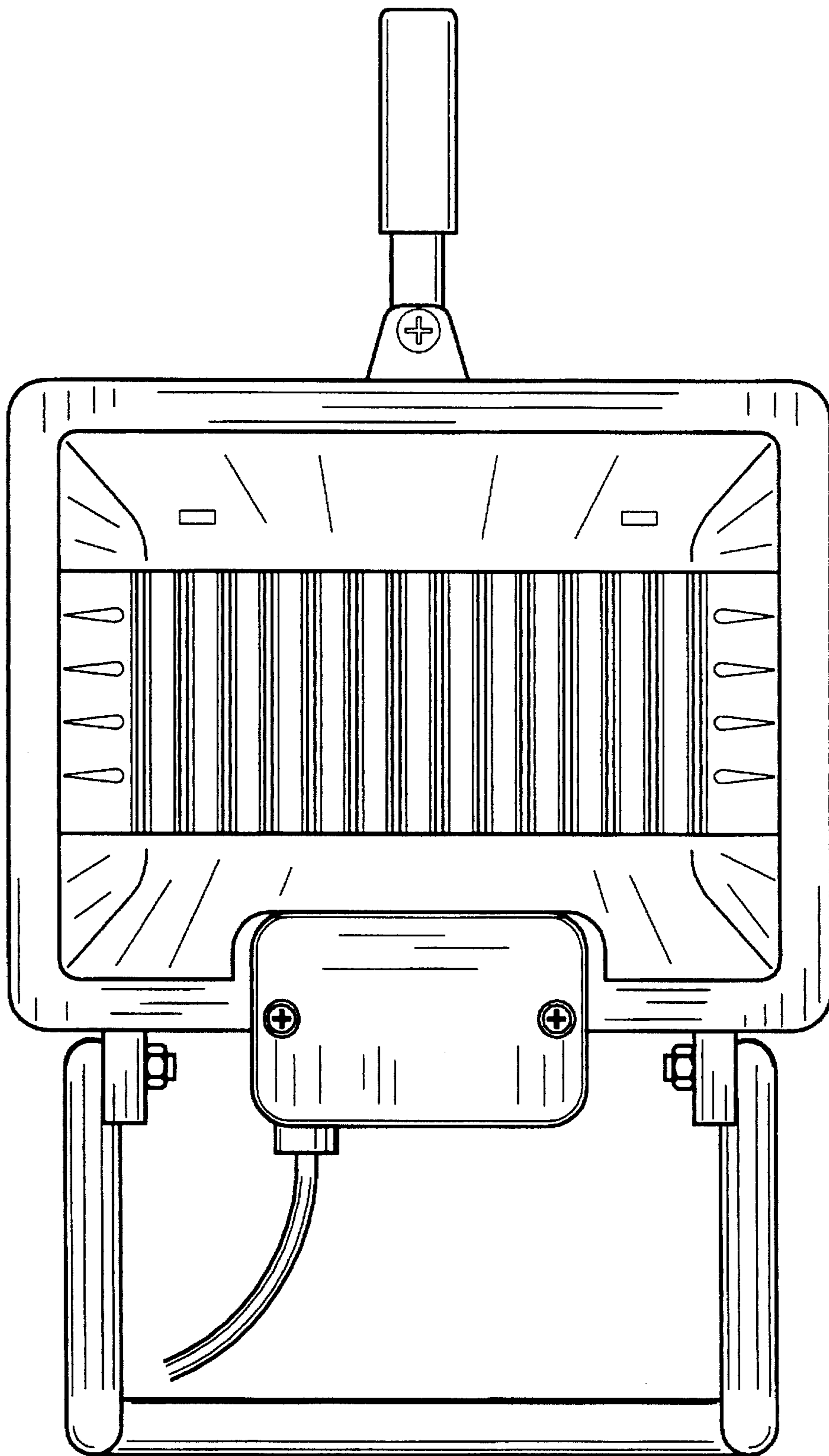


Fig. 5

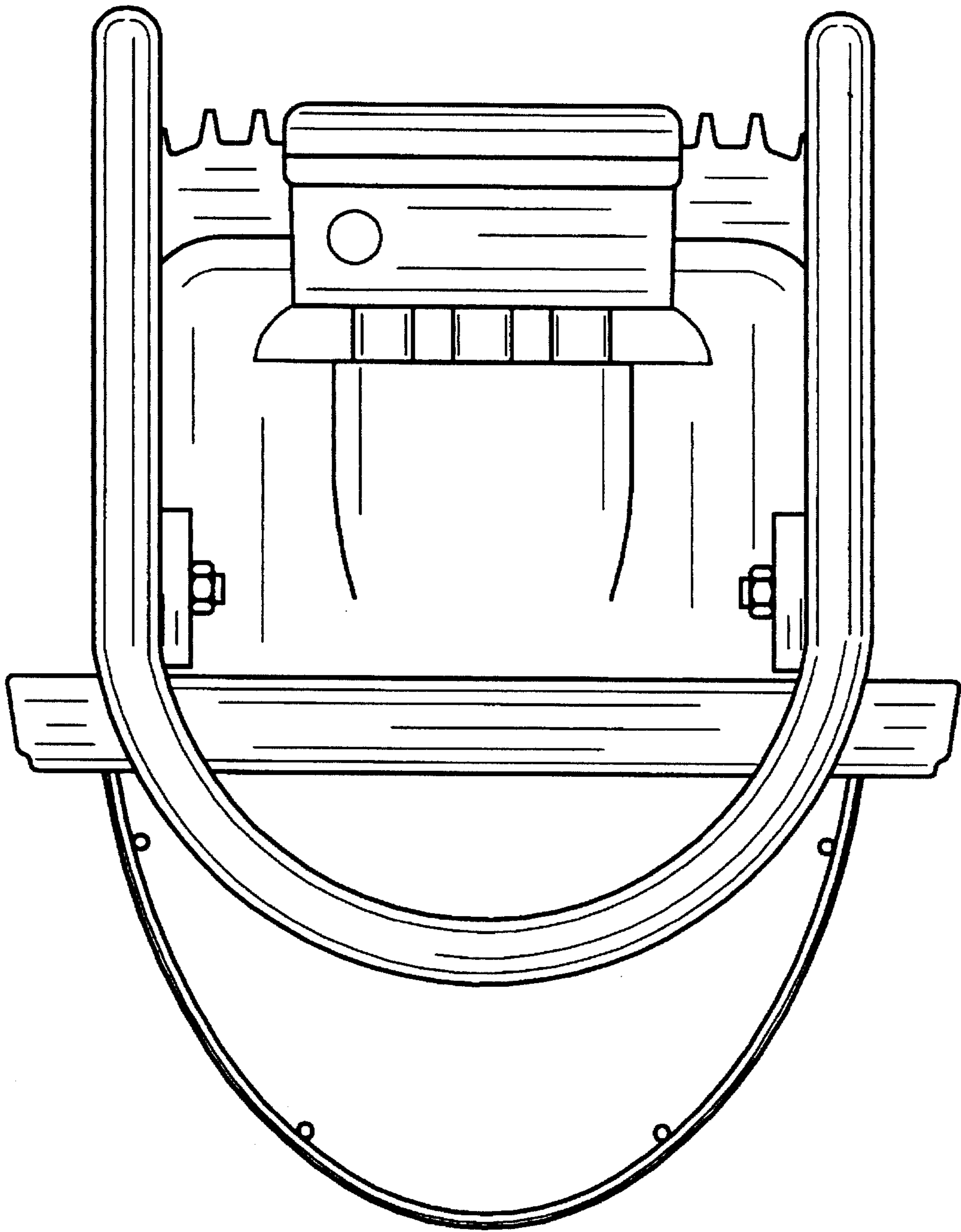


Fig. 6