



US00D369221S

United States Patent [19]
Linderman

[11] **Patent Number: Des. 369,221**
[45] **Date of Patent: **Apr. 23, 1996**

[54] **CANDLE HOLDER**

[75] Inventor: **David F. Linderman**, Champaign, Ill.

[73] Assignee: **Design Ideas, Ltd.**, Springfield, Ill.

[**] Term: **14 Years**

[21] Appl. No.: **33,329**

[22] Filed: **Jan. 10, 1995**

[52] U.S. Cl. **D26/9**

[58] **Field of Search** D26/9-19, 20-22;
D11/152-153; 431/288, 290-292, 294,
297, 299, 125; 362/161; D27/102

[56] **References Cited**

U.S. PATENT DOCUMENTS

D. 172,360 6/1954 Price D26/20
D. 175,658 9/1955 Koert D26/20

OTHER PUBLICATIONS

Ashtrays p. 39—Giftwares Cat. Aug. 1952—Candle holder.
#16 Glass candle holder p. 18—International candle house.

Primary Examiner—A. Hugo Word
Assistant Examiner—Robin V. Taylor
Attorney, Agent, or Firm—Saidman Design Law Group

[57] **CLAIM**

The ornamental design for a candle holder, as shown and described.

DESCRIPTION

FIG. 1 is a perspective view of a candle holder showing my new design;

FIG. 2 is a left side view in elevation thereof, the right side view being a mirror image;

FIG. 3 is a front view thereof;

FIG. 4 is a rear view thereof;

FIG. 5 is a top view thereof; and,

FIG. 6 is a bottom view thereof.

1 Claim, 2 Drawing Sheets

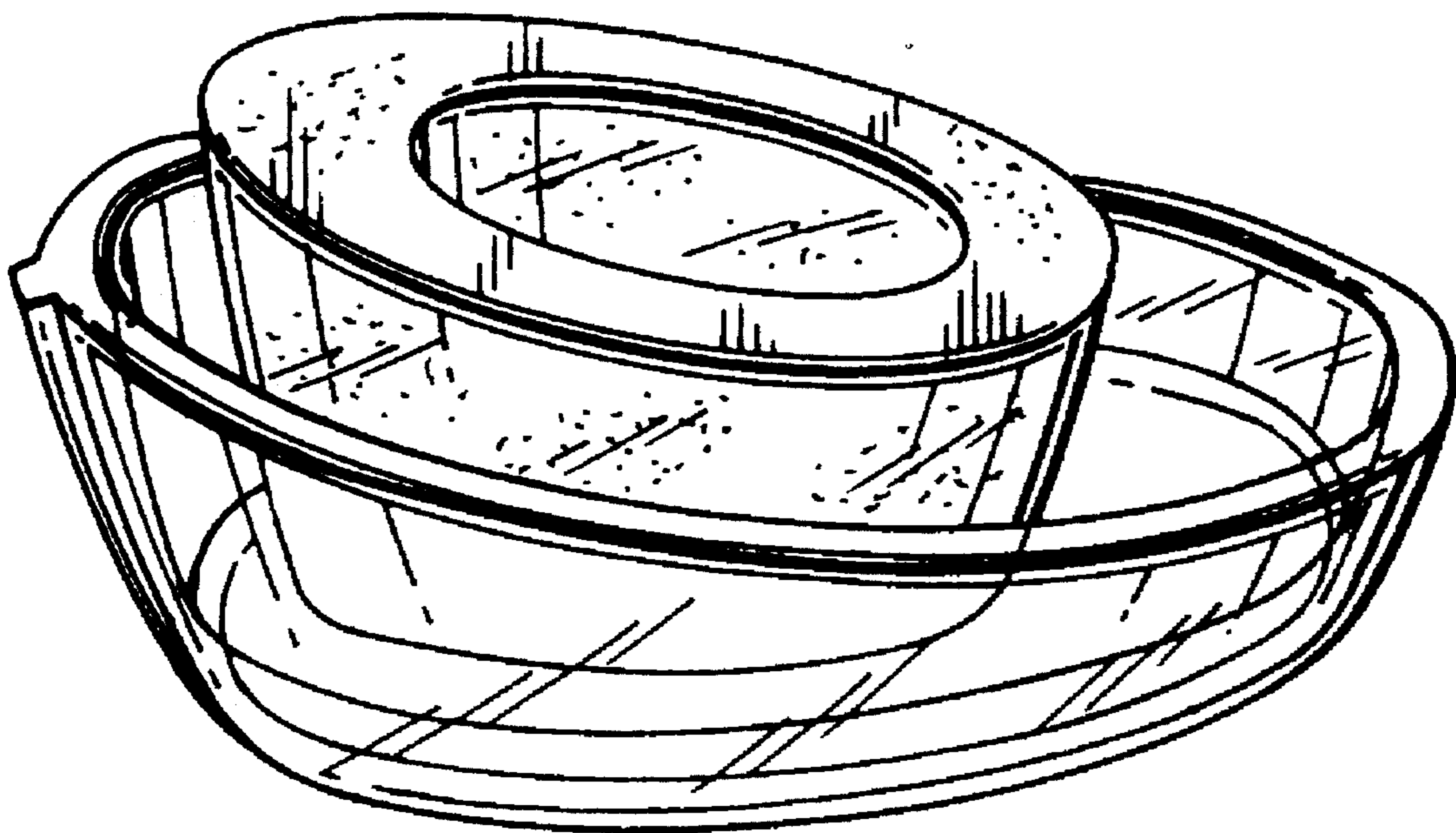


FIG. 1

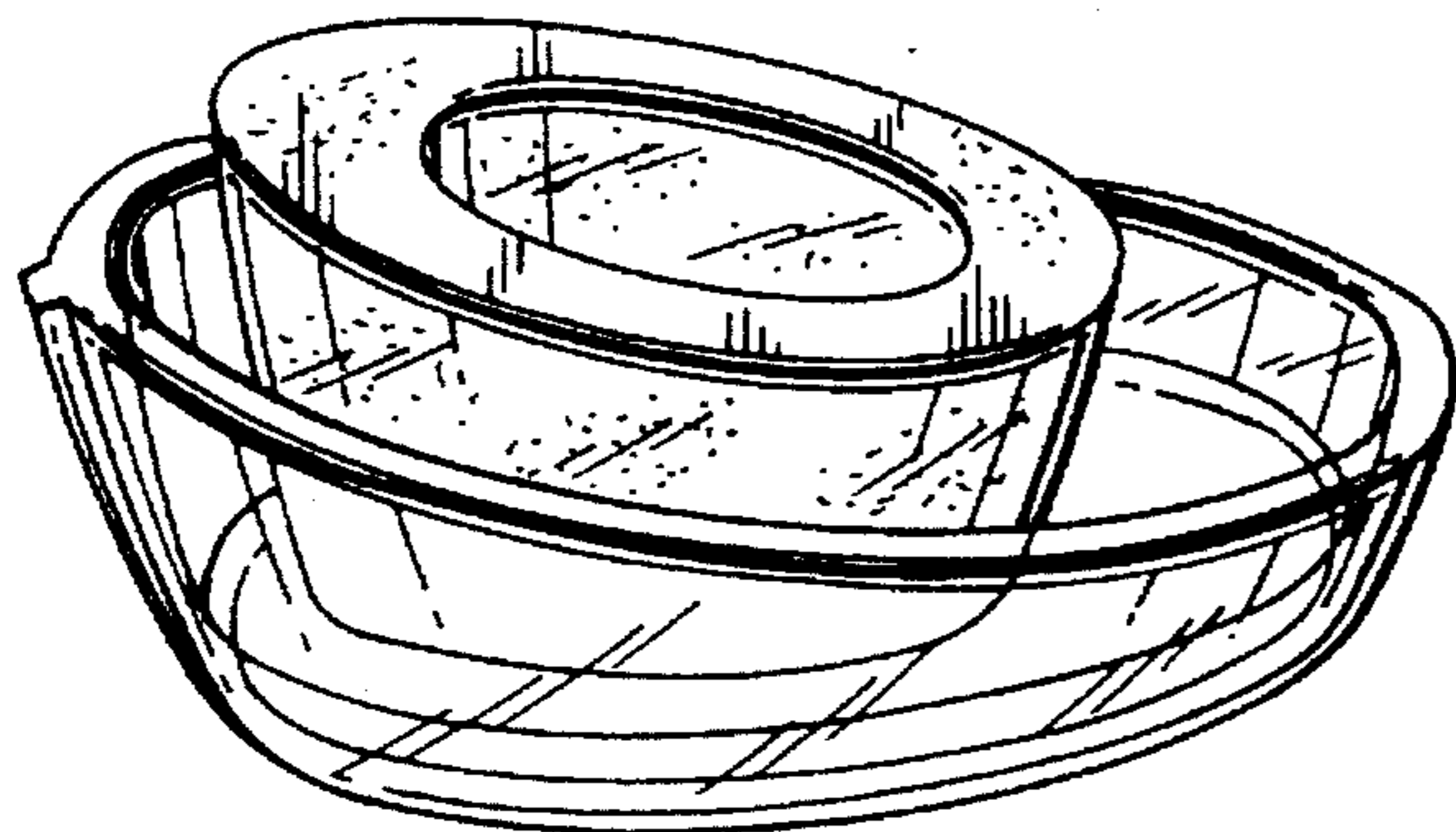


FIG. 2

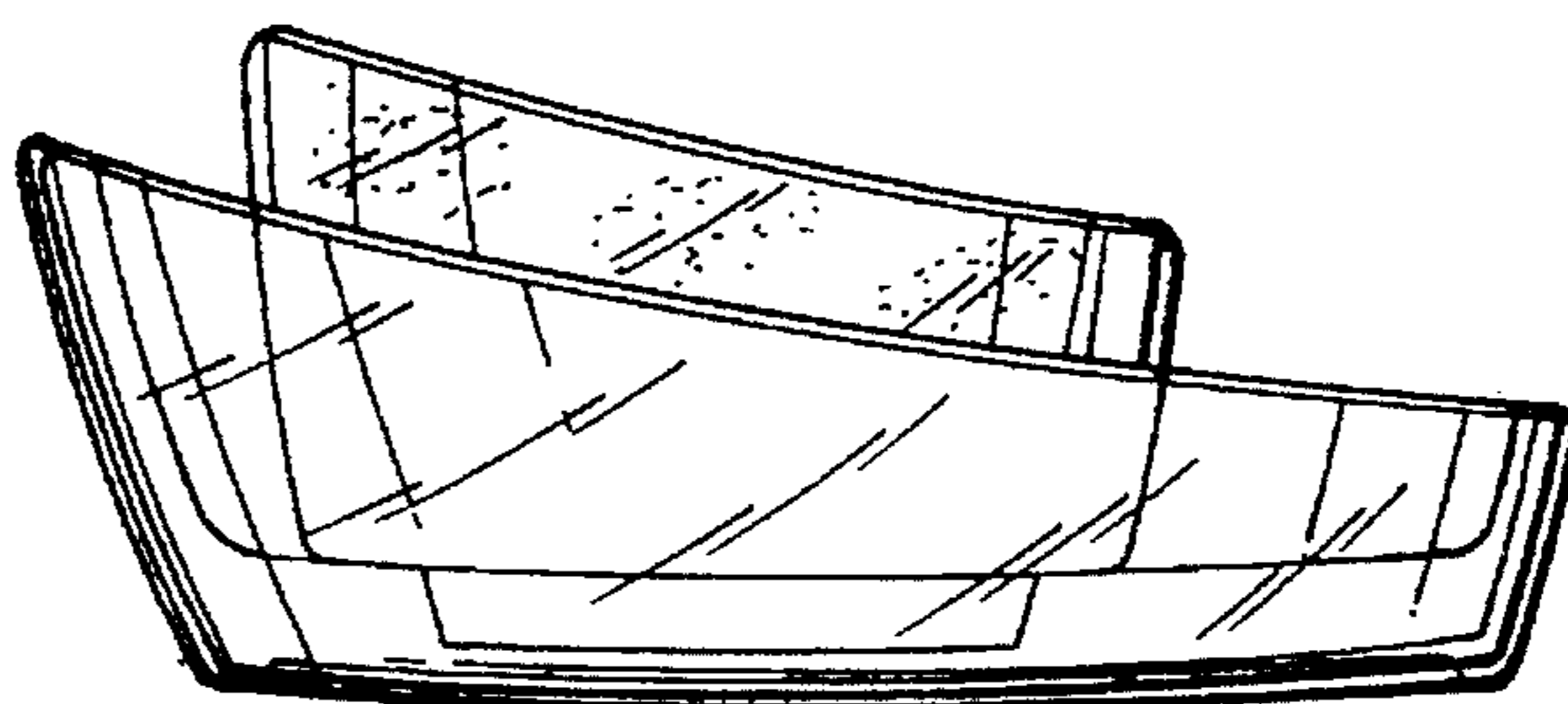


FIG. 3

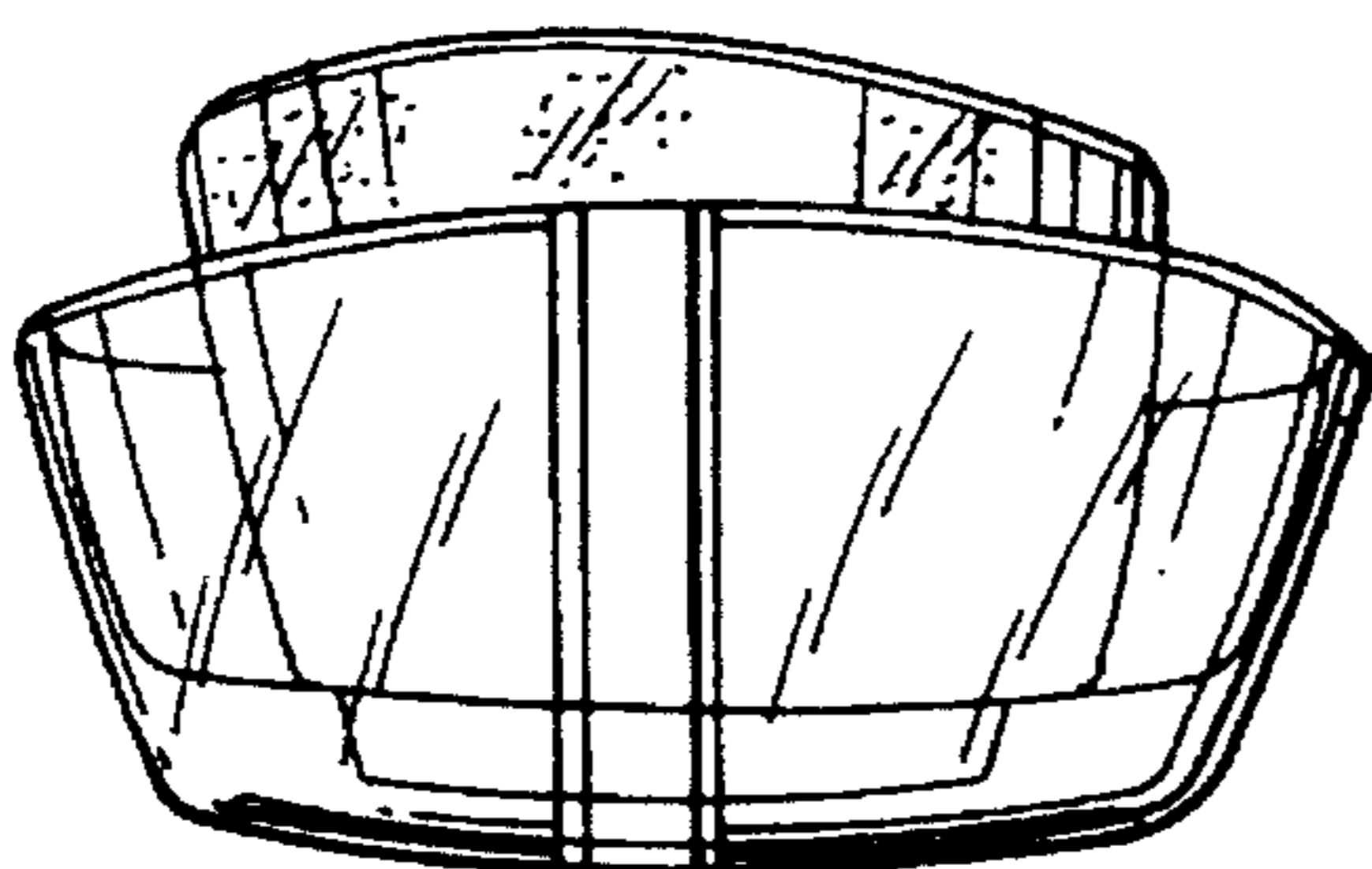


FIG. 4

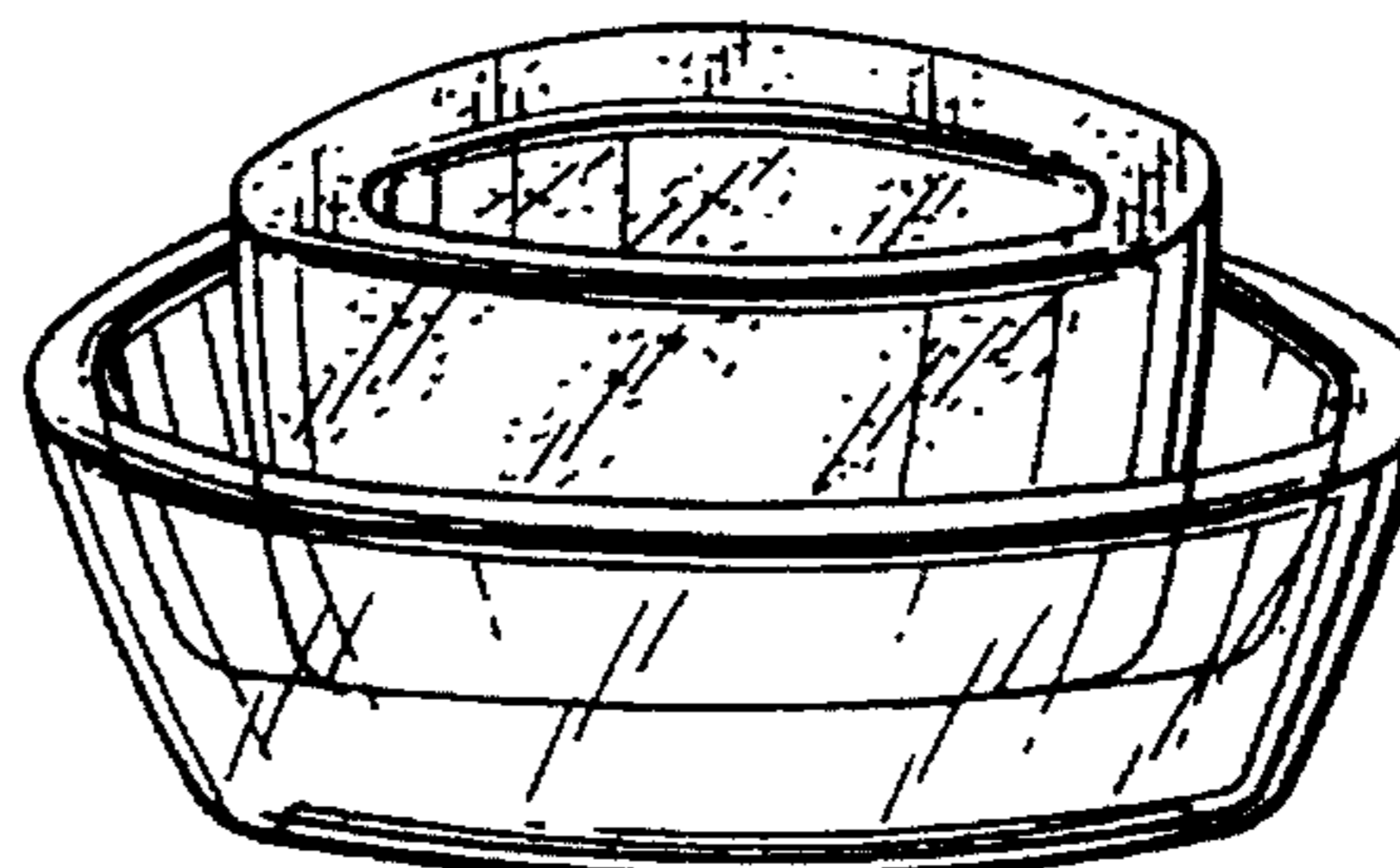


FIG. 5

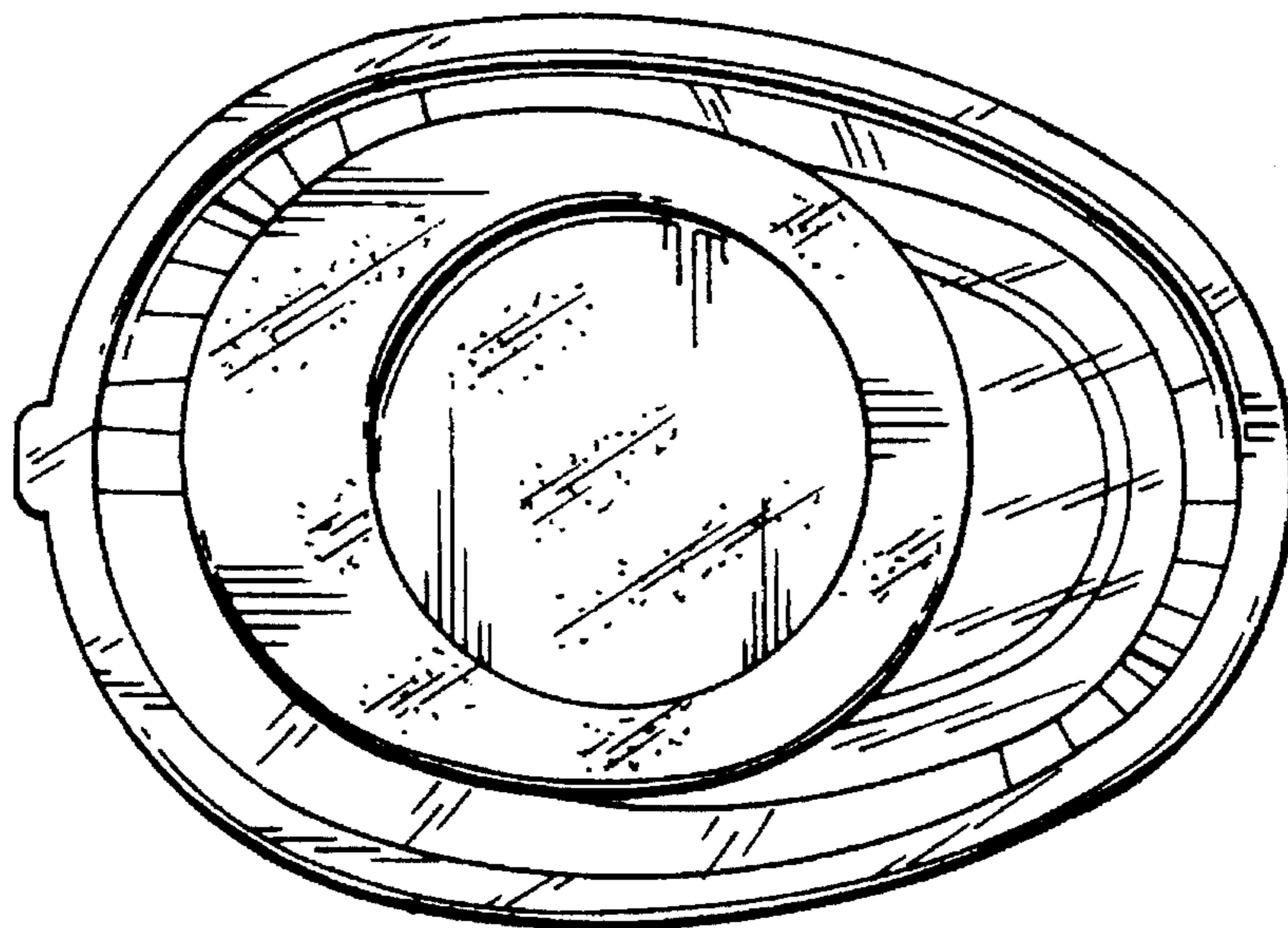


FIG. 6

