



US00D369217S

United States Patent [19]

[11] **Patent Number: Des. 369,217**

Mitchell et al.

[45] **Date of Patent: **Apr. 23, 1996**

[54] **COMBINED SPRING AND CLIP PACIFIER HOLDER**

D. 326,917	6/1992	Roberts et al.	D24/194
D. 341,891	11/1993	Held	D24/195 X
4,903,698	2/1990	Huber et al.	606/235
4,994,075	2/1991	Smith et al.	606/235

[76] Inventors: **Valeria C. Mitchell**, P.O. Box 247;
Laura B. Bolt, P.O. Box 1145, both of
Gladewater, Tex. 75647

Primary Examiner—Stella Reid

[**] Term: **14 Years**

[57] **CLAIM**

[21] Appl. No.: **40,503**

The ornamental design for a combined spring and clip pacifier holder, as shown and described.

[22] Filed: **Jun. 20, 1995**

DESCRIPTION

[52] U.S. Cl. **D24/193**

FIG. 1 is a front elevational view of a combined spring and clip pacifier holder, showing our new design;
FIG. 2 is a rear elevational view thereof;
FIG. 3 is a right view thereof;
FIG. 4 is a left view thereof;
FIG. 5 is a top plan view thereof; and,
FIG. 6 is a bottom plan view thereof.

[58] Field of Search D24/193, 195;
606/234–236

[56] **References Cited**

U.S. PATENT DOCUMENTS

D. 225,039	10/1972	Sauritis	D24/195
D. 310,716	9/1990	Trask	D24/195

1 Claim, 3 Drawing Sheets

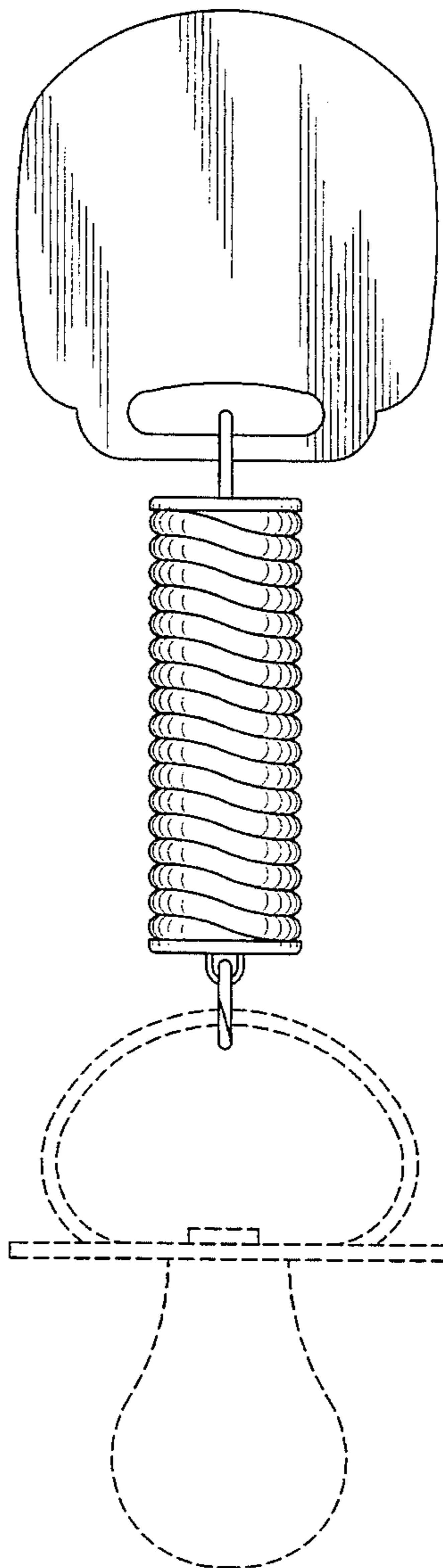


FIG. 1

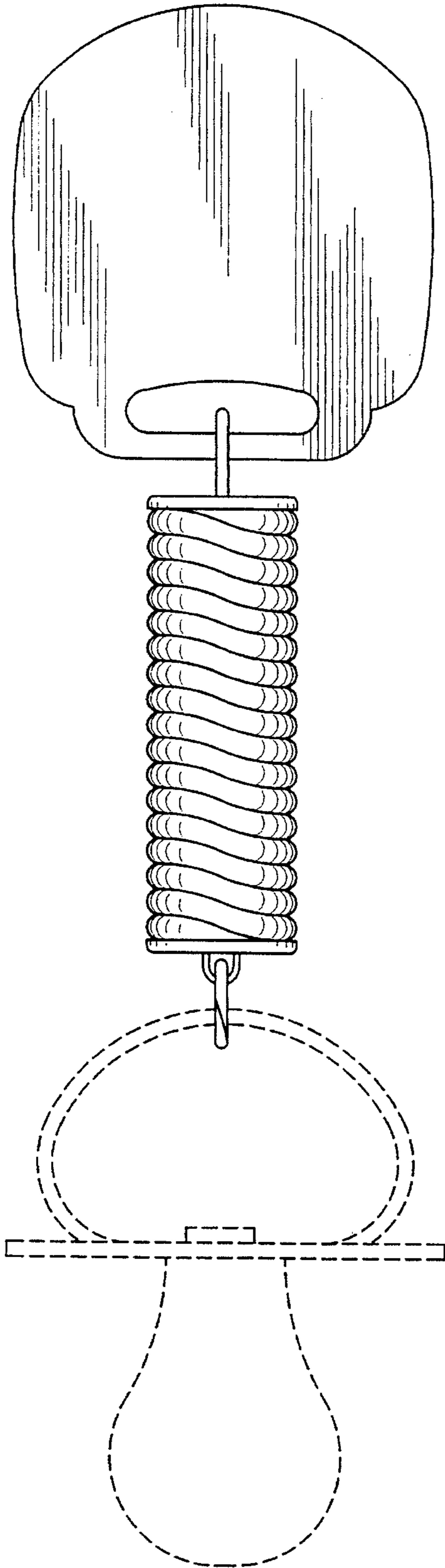


FIG. 2

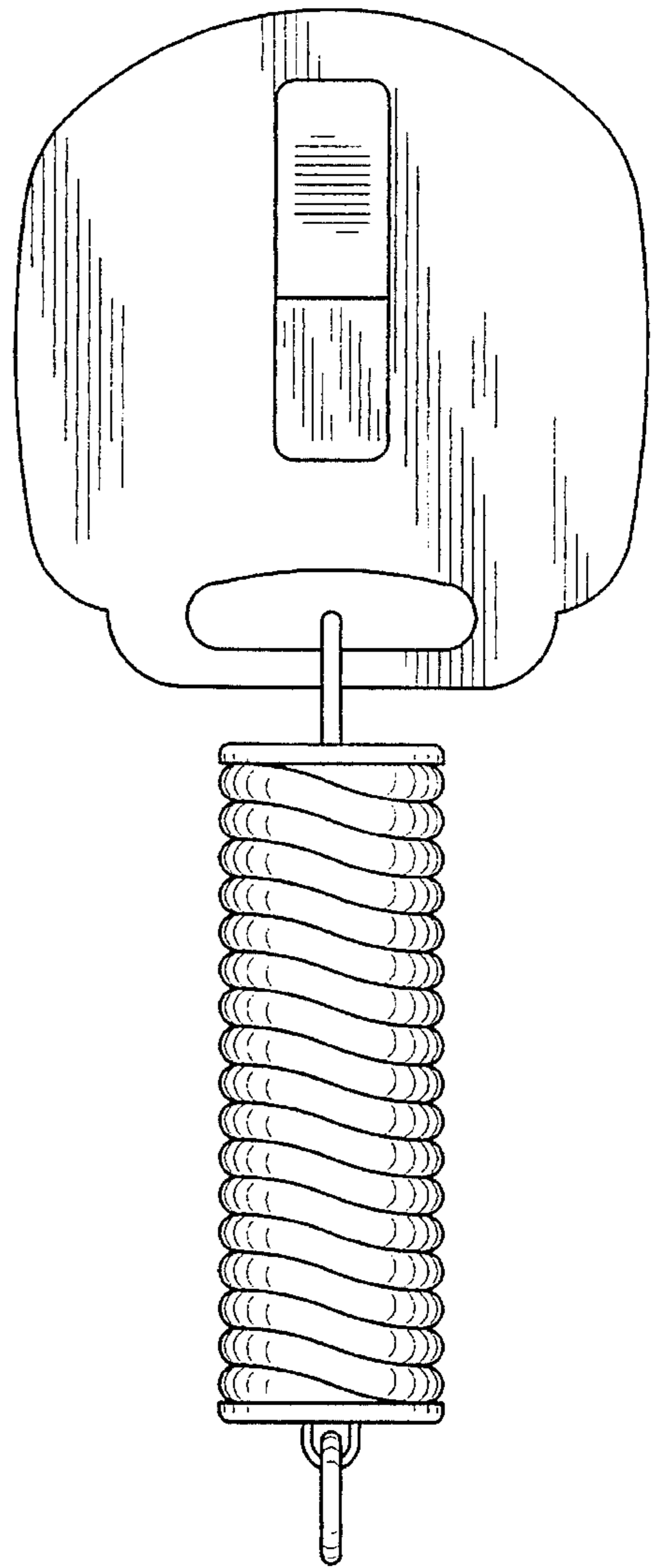


FIG. 3

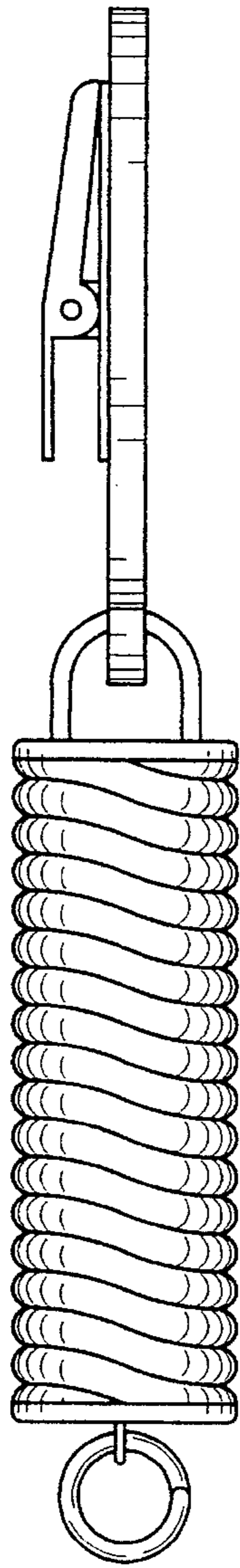


FIG. 4

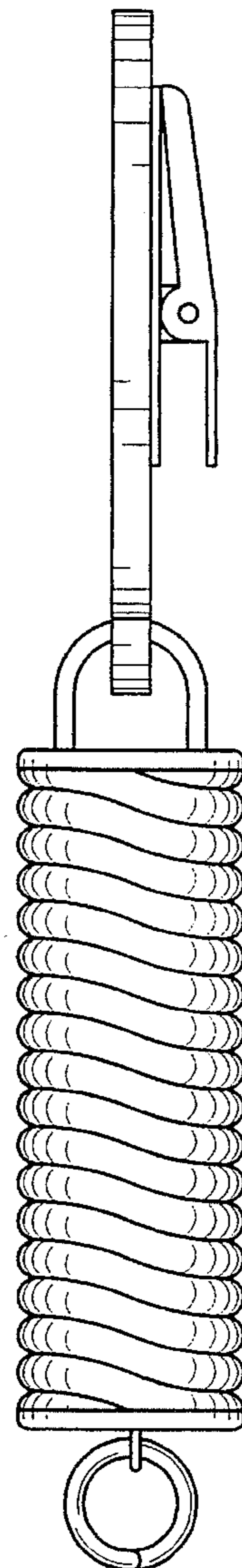


FIG. 5

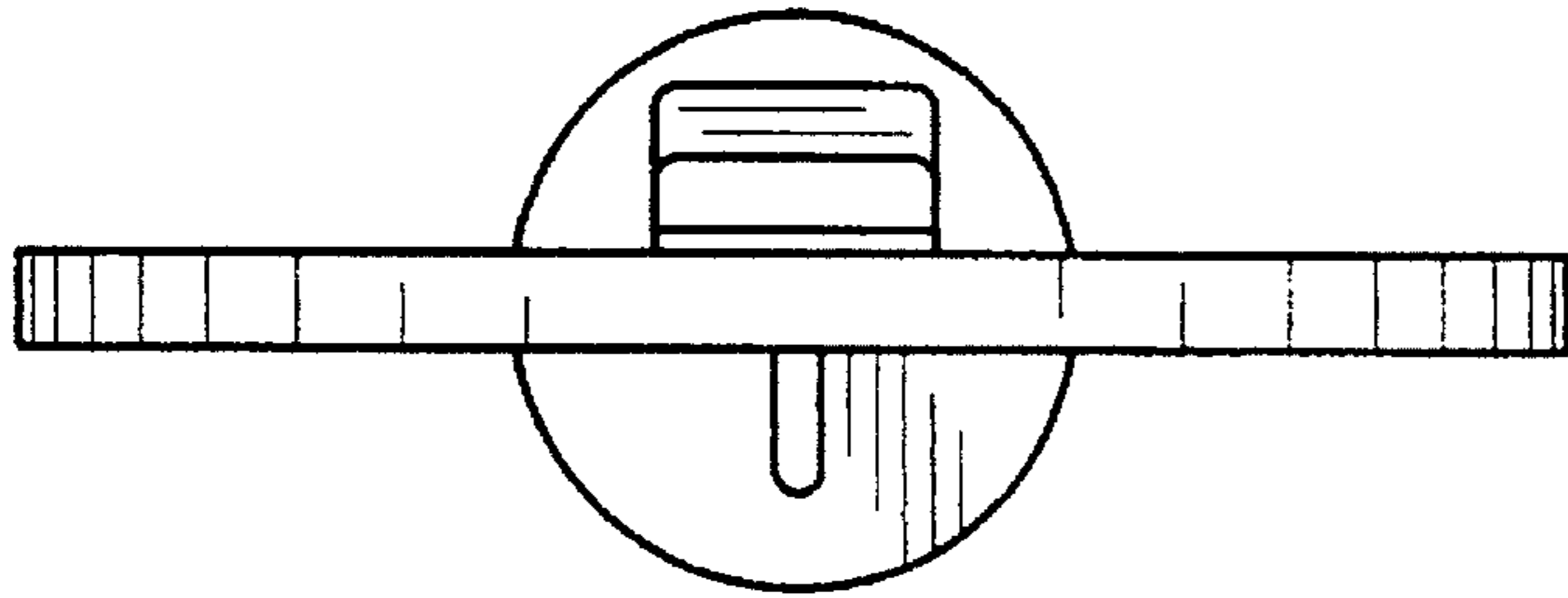


FIG. 6

