



US00D369216S

United States Patent [19]

[11] **Patent Number: Des. 369,216**

Micinski et al.

[45] **Date of Patent: **Apr. 23, 1996**

- [54] **BIOLOGICAL FLUID ANALYZER**
- [75] Inventors: **Russell J. Micinski**, South Bend, Ind.;
Hans H. Peterson, Cambridge, England
- [73] Assignee: **Bayer Corporation**, Elkhart, Ind.
- [**] Term: **14 Years**
- [21] Appl. No.: **28,830**
- [22] Filed: **Sep. 23, 1994**
- [52] U.S. Cl. **D24/169**; D24/186; D24/232
- [58] **Field of Search** D24/169, 186,
D24/232, 231, 216; 422/73, 63, 102, 104;
128/770, 635, 771, 763, 764, 765

5,372,946 12/1994 Cusak et al. 422/102 X

Primary Examiner—Louis S. Zarfus
Assistant Examiner—I. Simmons
Attorney, Agent, or Firm—Jerome L. Jeffers

[57] **CLAIM**

The ornamental design for a biological fluid analyzer, as shown and described.

DESCRIPTION

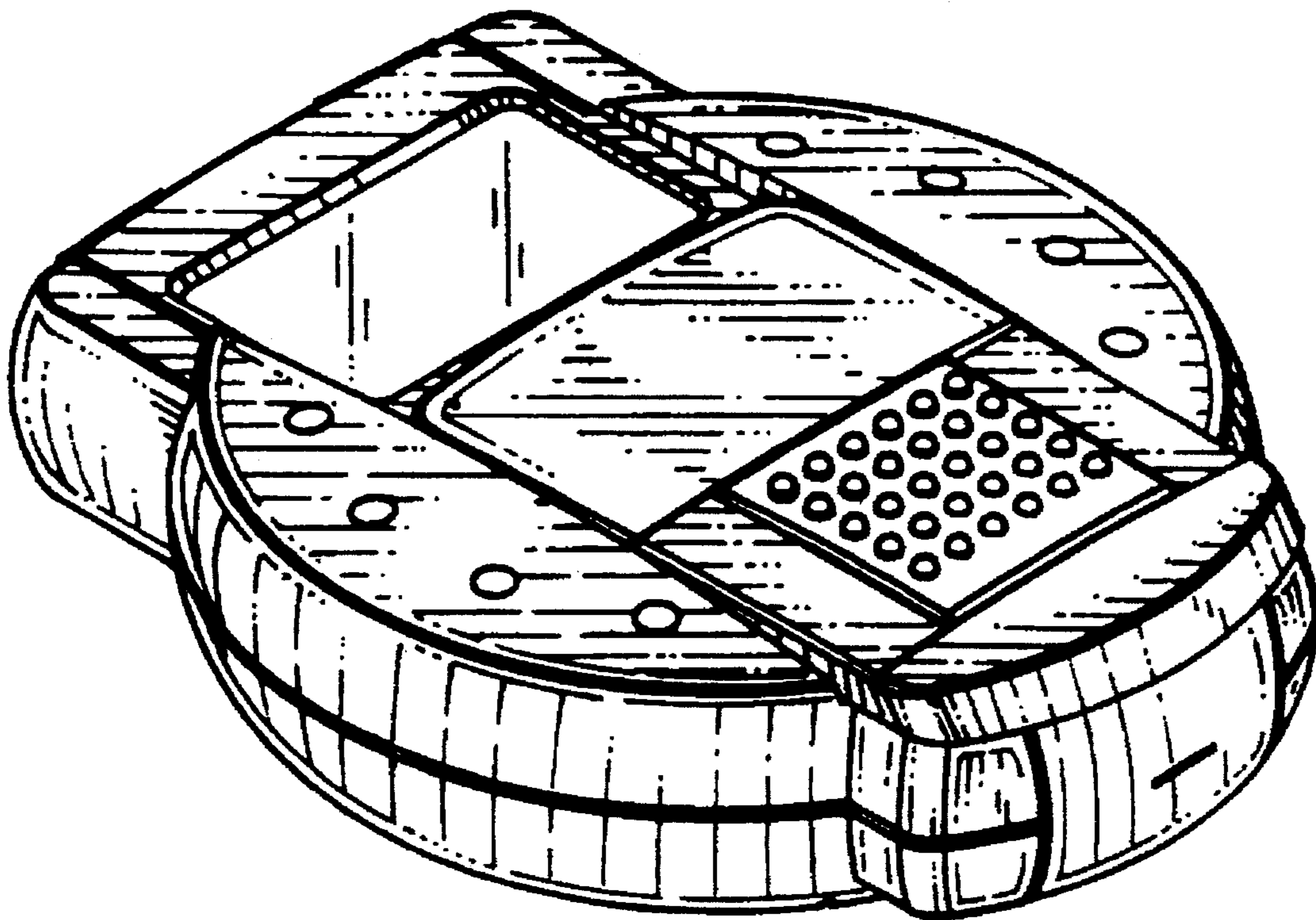
FIG. 1 is a perspective view of a biological fluid analyzer showing our new design;
FIG. 2 is a top view thereof;
FIG. 3 is a front view thereof;
FIG. 4 is a rear view thereof;
FIG. 5 is a bottom view thereof;
FIG. 6 is a right side view thereof;
FIG. 7 is a left side view thereof; and,
FIG. 8 is a perspective view thereof in which a slidable cover panel of the biological fluid analyzer has been slid into the forward position.

[56] **References Cited**

U.S. PATENT DOCUMENTS

D. 318,331	7/1991	Phillips et al.	D24/186 X
D. 323,893	2/1992	Arioka	D24/186 X
D. 361,129	8/1995	Collins et al.	D24/186 X
5,231,576	7/1993	Suzuki et al.	128/677 X
5,281,395	1/1994	Markart et al.	D24/232 X

1 Claim, 5 Drawing Sheets



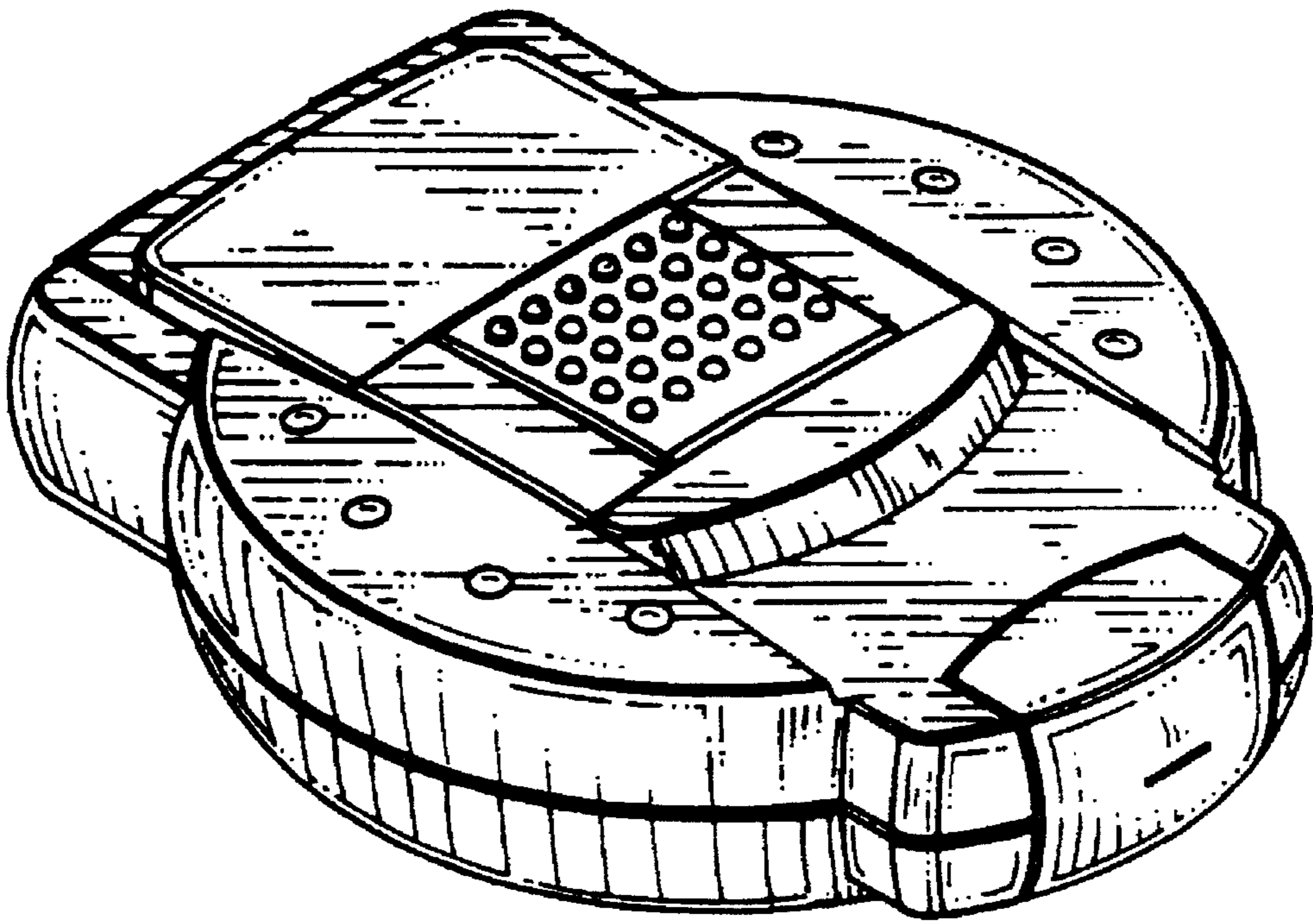


FIG. 1

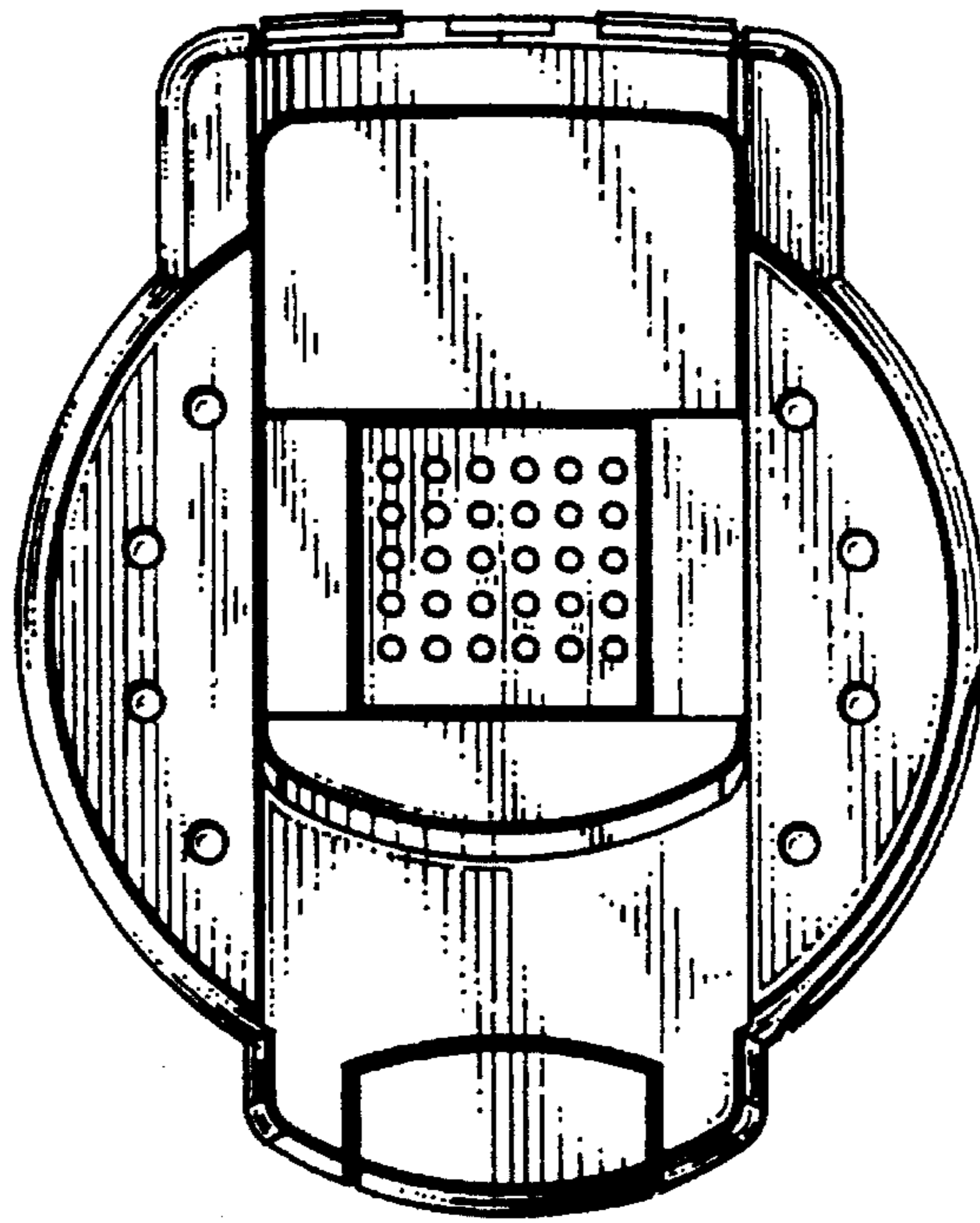


FIG. 2

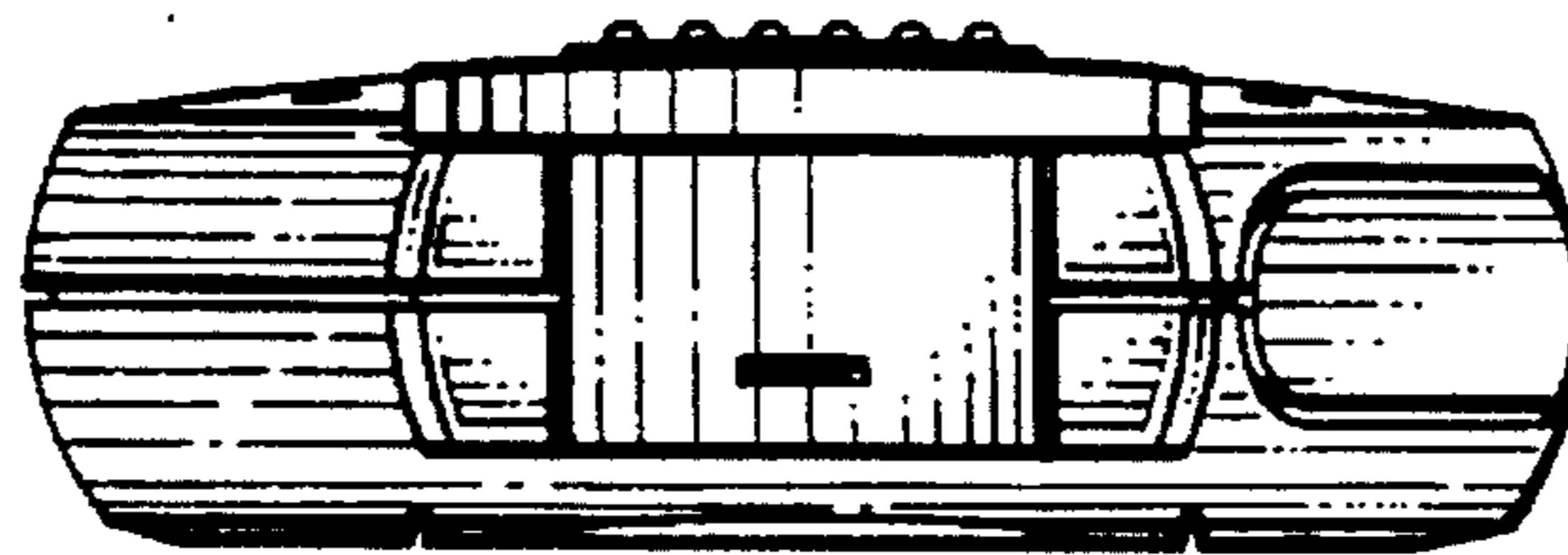


FIG. 3

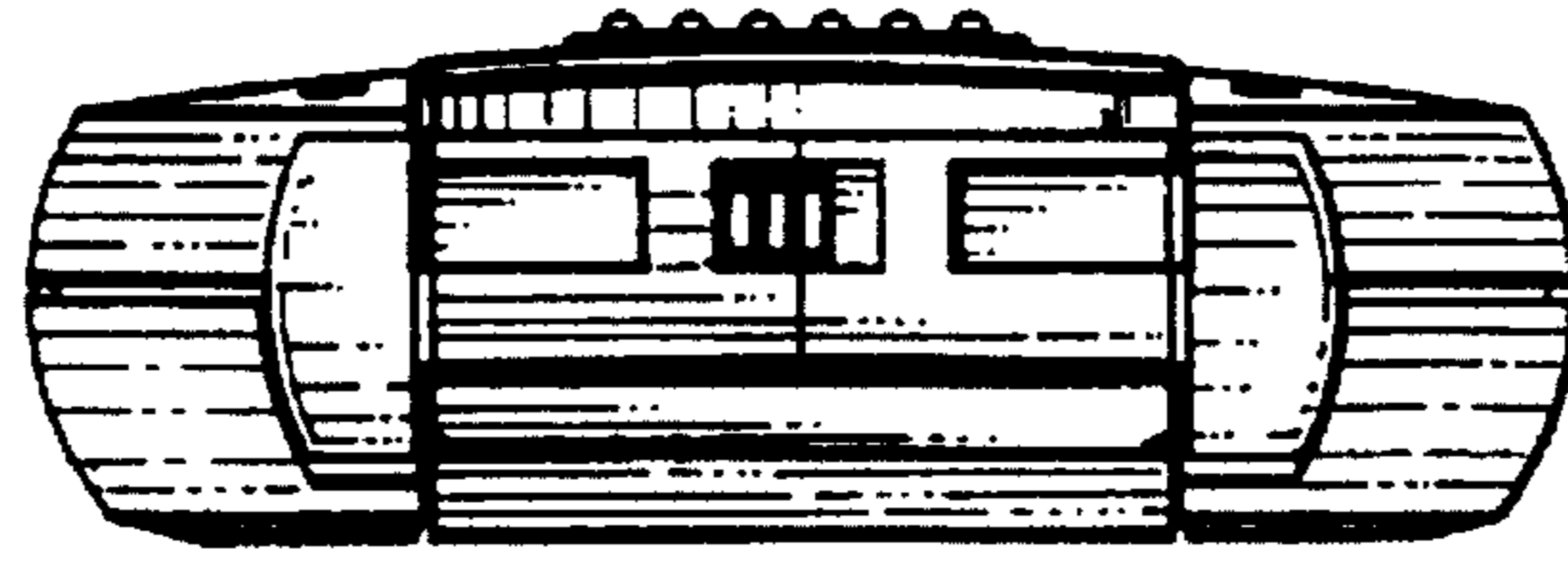


FIG. 4

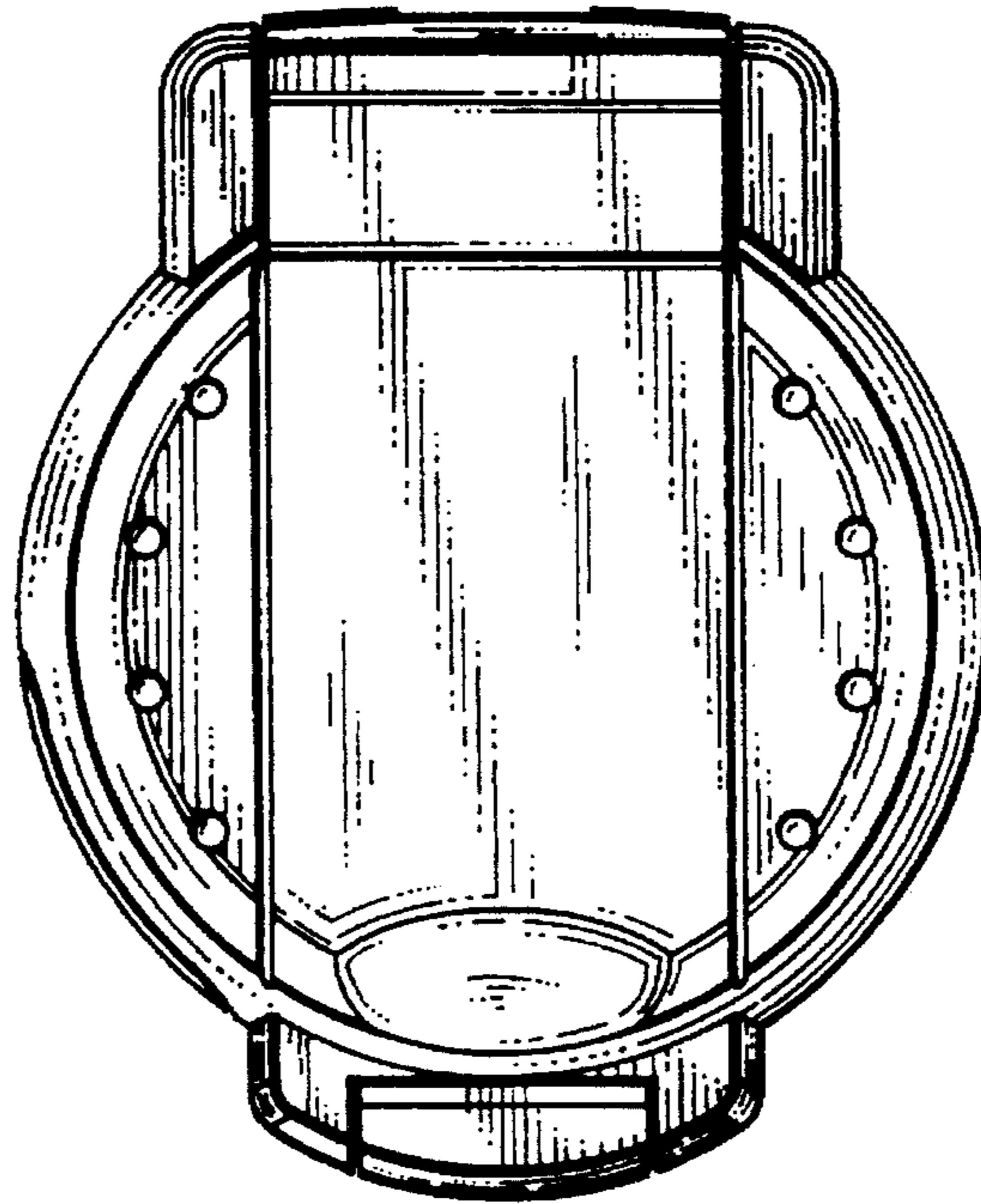


FIG. 5

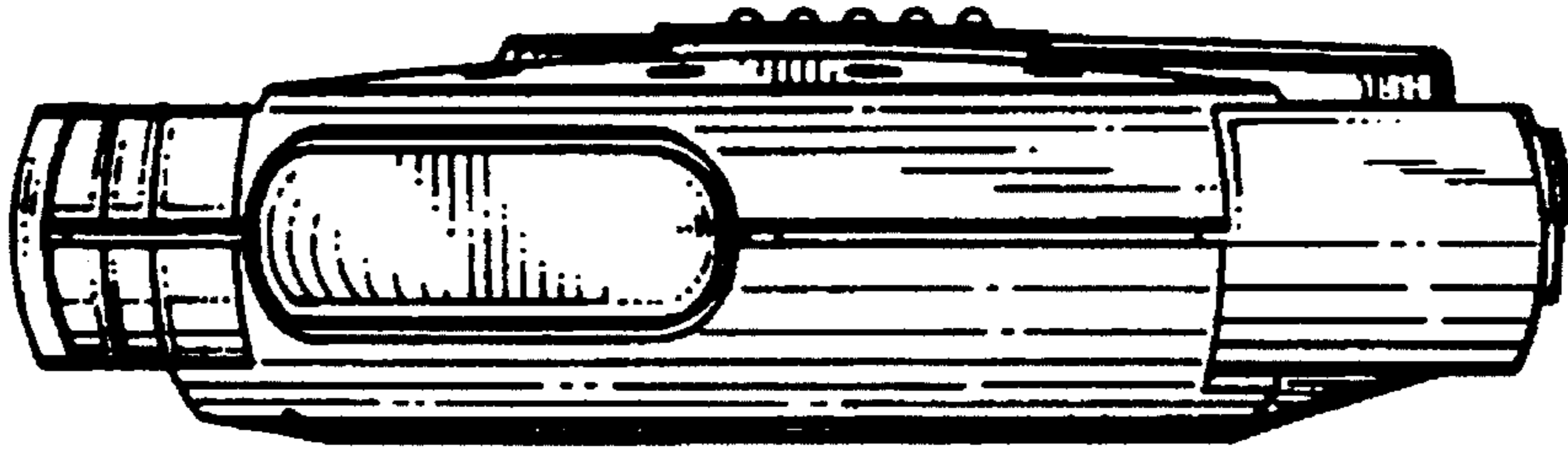


FIG. 6

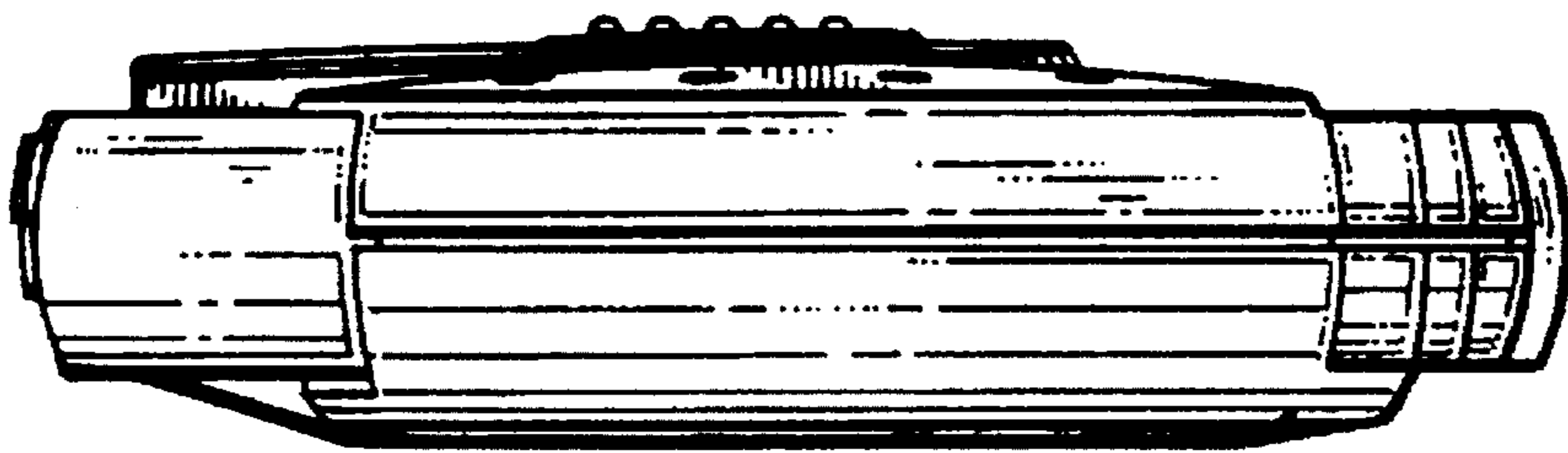


FIG. 7

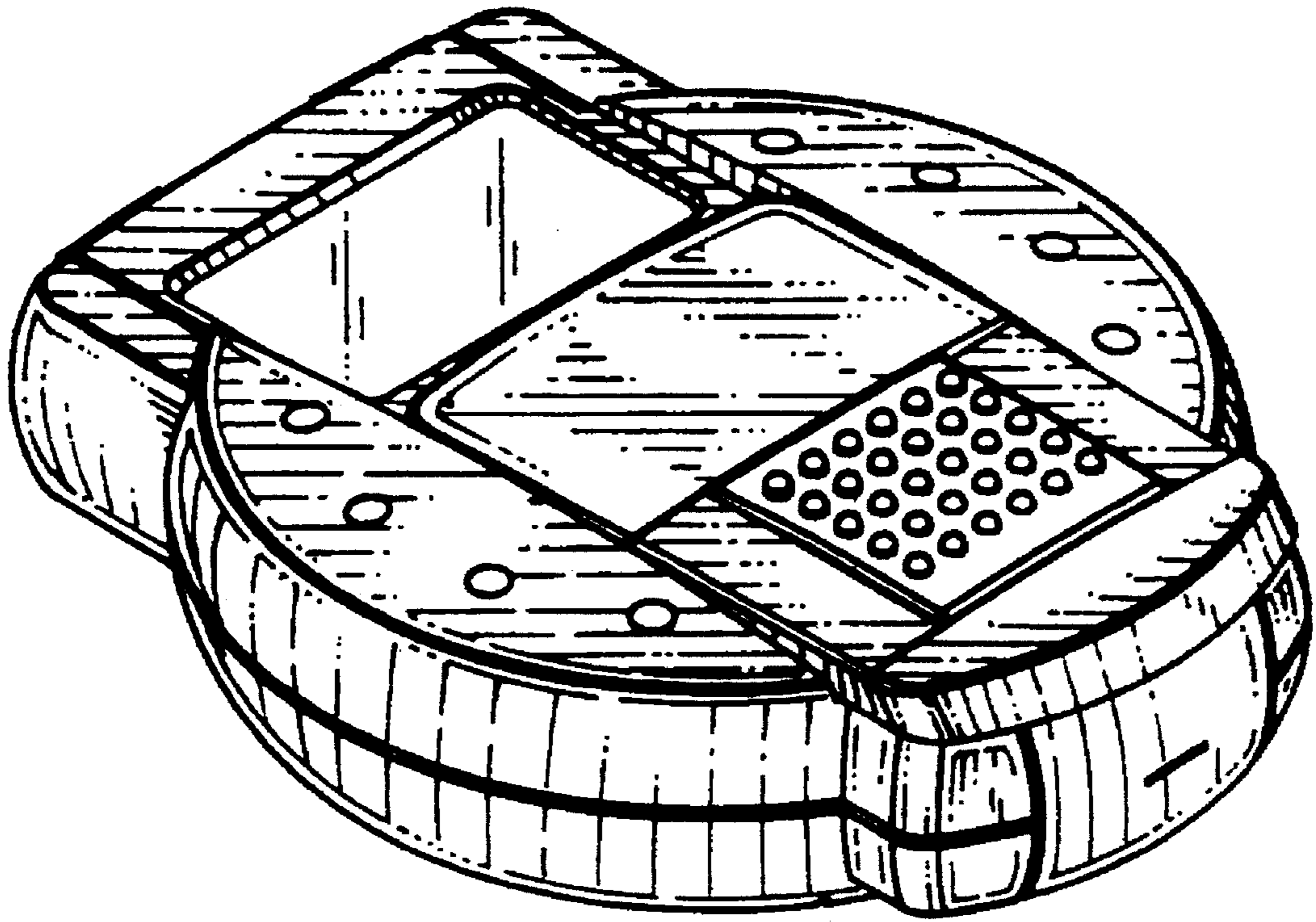


FIG. 8