



US00D369213S

United States Patent [19]
Wong

[11] **Patent Number: Des. 369,213**
[45] **Date of Patent: **Apr. 23, 1996**

[54] **HISTOLOGY CASSETTE HINGE**

[75] Inventor: **Johnson N. S. Wong**, Rolling Hills, Calif.

[73] Assignee: **Evergreen Industries, Inc.**, Los Angeles, Calif.

[**] Term: **14 Years**

[21] Appl. No.: **18,863**

[22] Filed: **Feb. 16, 1994**

[52] U.S. Cl. **D24/127; D24/224**

[58] **Field of Search** **D24/224; 215/235, 215/236; 220/307, 306, 8, 339, 337, 334, 335, 338, 333; 425/117; D8/323; D14/217; D9/434**

[56] **References Cited**

U.S. PATENT DOCUMENTS

D. 284,699	7/1986	Jolley	D24/226
D. 340,117	10/1993	Smalley et al.	D24/224
2,765,949	10/1956	Hillman	220/338
3,394,835	7/1968	Peterson	220/337
3,497,908	3/1970	Zamarra	220/338 X
4,034,884	7/1977	White	220/306 X
4,220,252	9/1980	Beall et al.	220/307
4,421,246	12/1983	Schultz et al.	220/307
4,549,670	10/1985	Trendler	220/338
4,997,100	3/1991	Dudek	220/307 X
5,061,452	10/1991	Yamamoto et al.	D24/224 X
5,076,460	12/1991	Hussell	220/337 X
5,127,537	7/1992	Graham	D24/224 X

Primary Examiner—Louis S. Zarfes

Assistant Examiner—I. Simmons
Attorney, Agent, or Firm—Robbins, Berliner & Carson

[57] **CLAIM**

The ornamental design for a histology cassette hinge, as shown and described.

DESCRIPTION

FIG. 1 is a front perspective view of a histology cassette hinge showing my new design;
 FIG. 2 is a right elevational of the histology cassette hinge of FIG. 1;
 FIG. 3 is a left elevational view of the histology cassette hinge of FIG. 1;
 FIG. 4 is a front elevational view of the histology cassette hinge of FIG. 1;
 FIG. 5 is a rear elevation view of the histology cassette hinge of FIG. 1;
 FIG. 6 is a top plan view of the histology cassette hinge of FIG. 1;
 FIG. 7 is a bottom plan view of the histology cassette hinge of FIG. 1;
 FIG. 8 is a top plan view of the histology cassette hinge of FIG. 1 shown in open configuration;
 FIG. 9 is a front perspective view of the histology cassette hinge of FIG. 1 shown open and wherein the cover is shown temporarily removed from the base; and,
 FIG. 10 is a front prospective view of the histology cassette hinge in assembled position.
 The broken line showing of the histology cassette in the FIGS. 1 through 3 and 6 through 9 are for illustrative purposes only and forms no part of the claimed design.

1 Claim, 4 Drawing Sheets

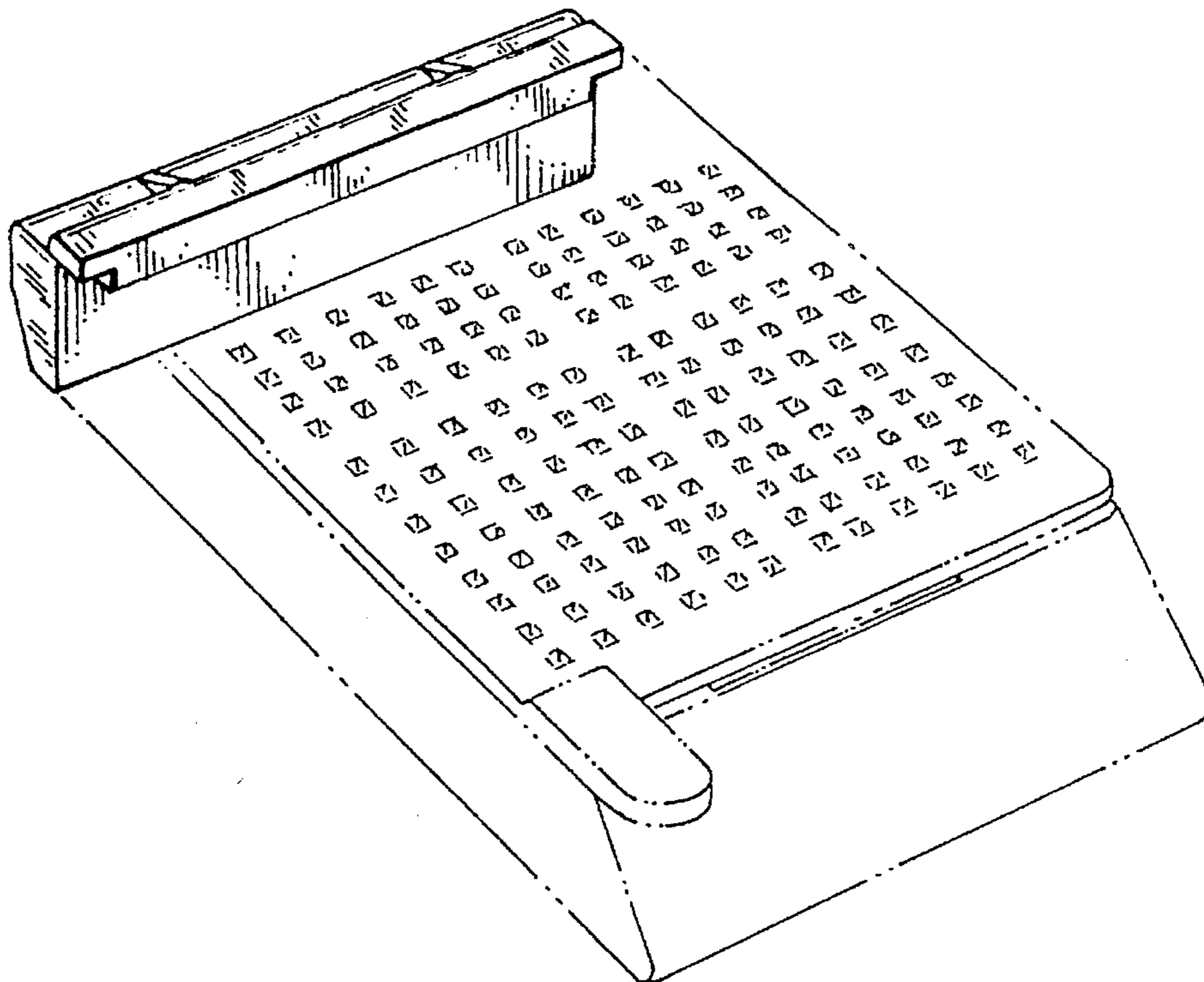


FIG. 1

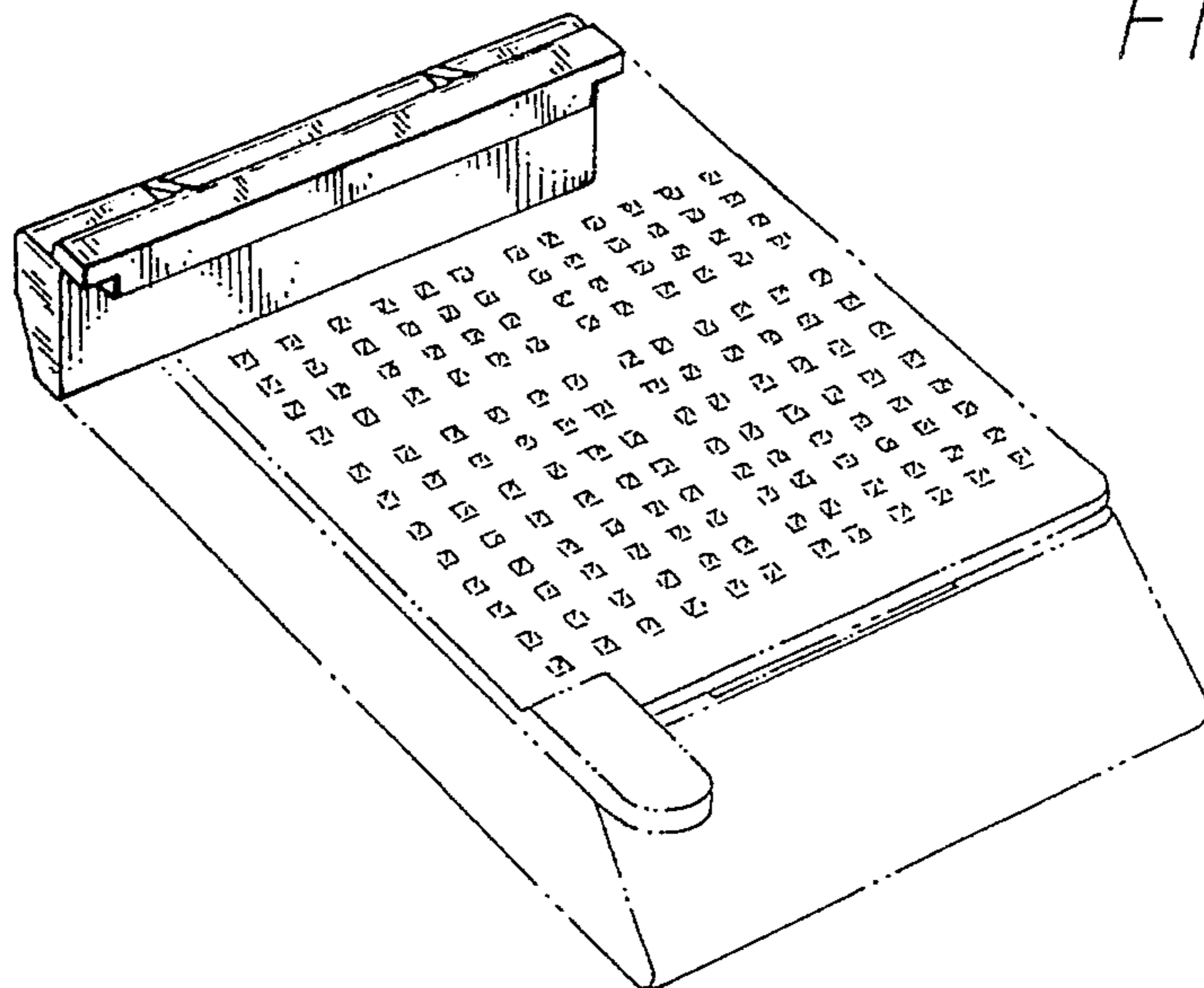


FIG. 2

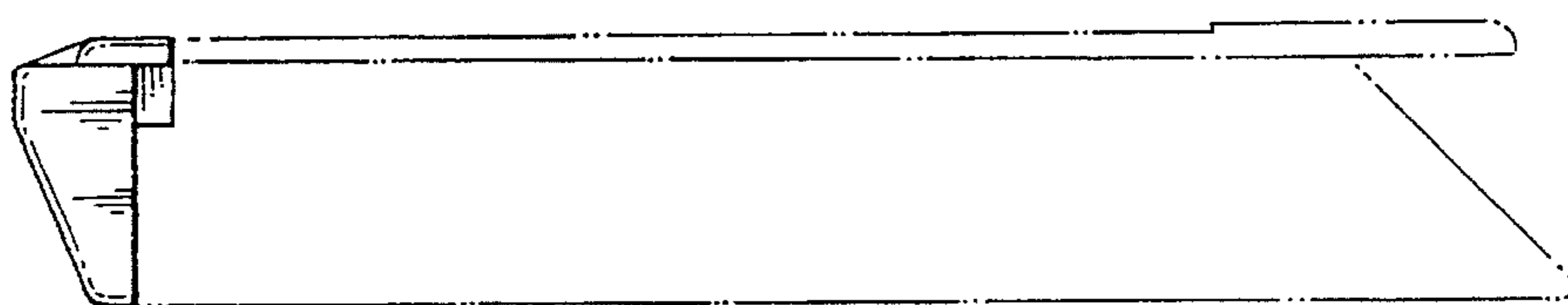
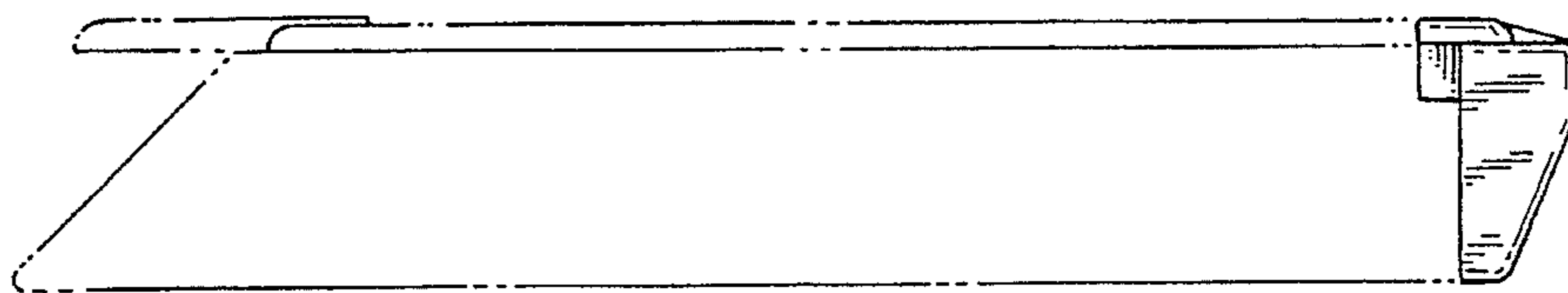


FIG. 3

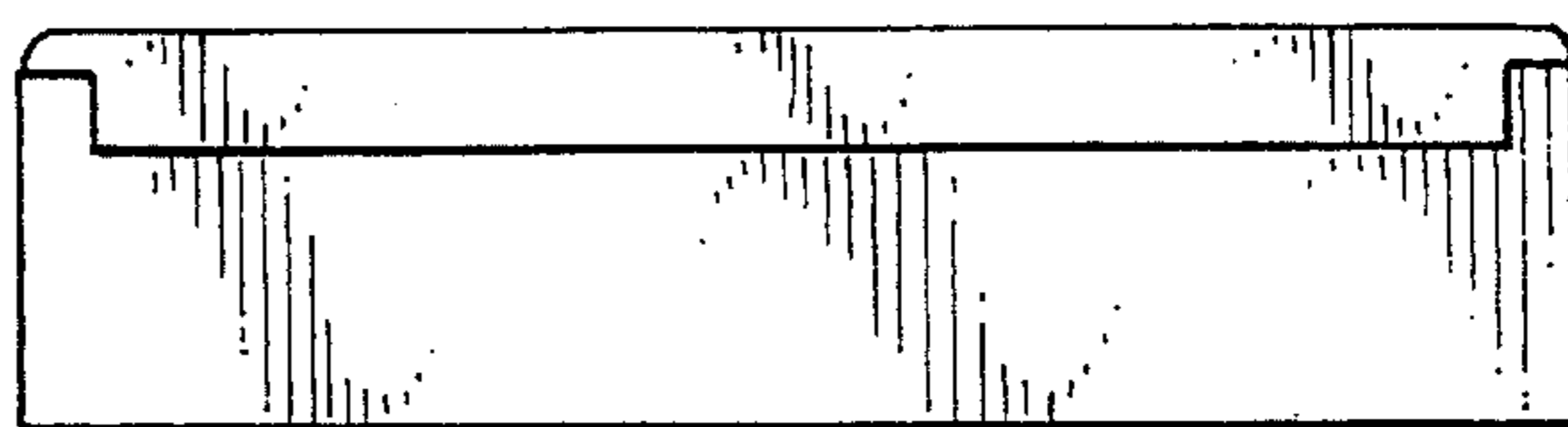


FIG. 4

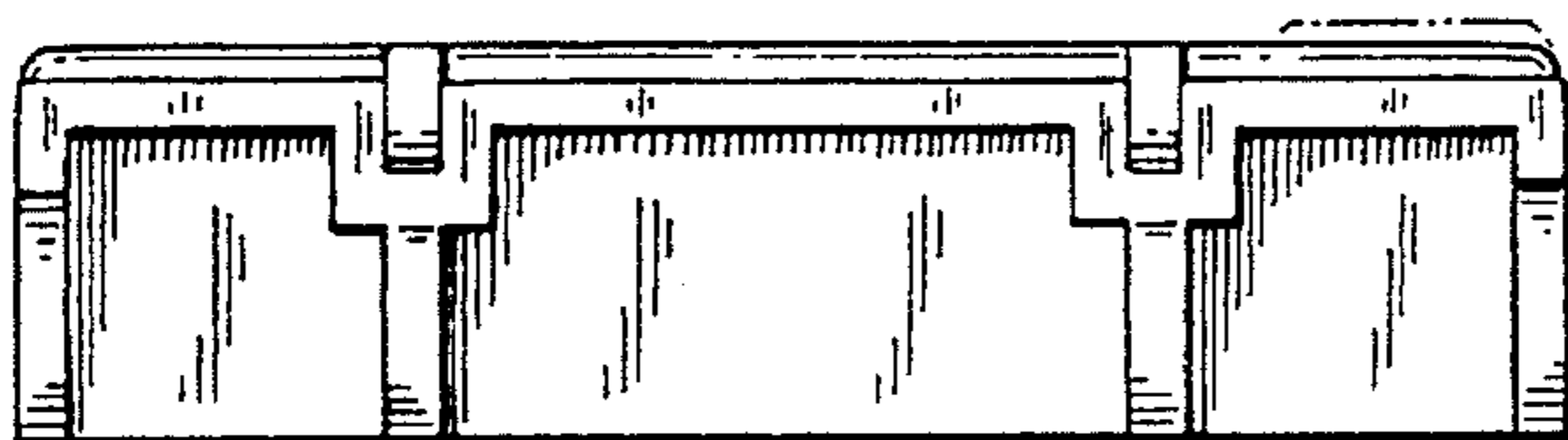


FIG. 5

FIG. 6

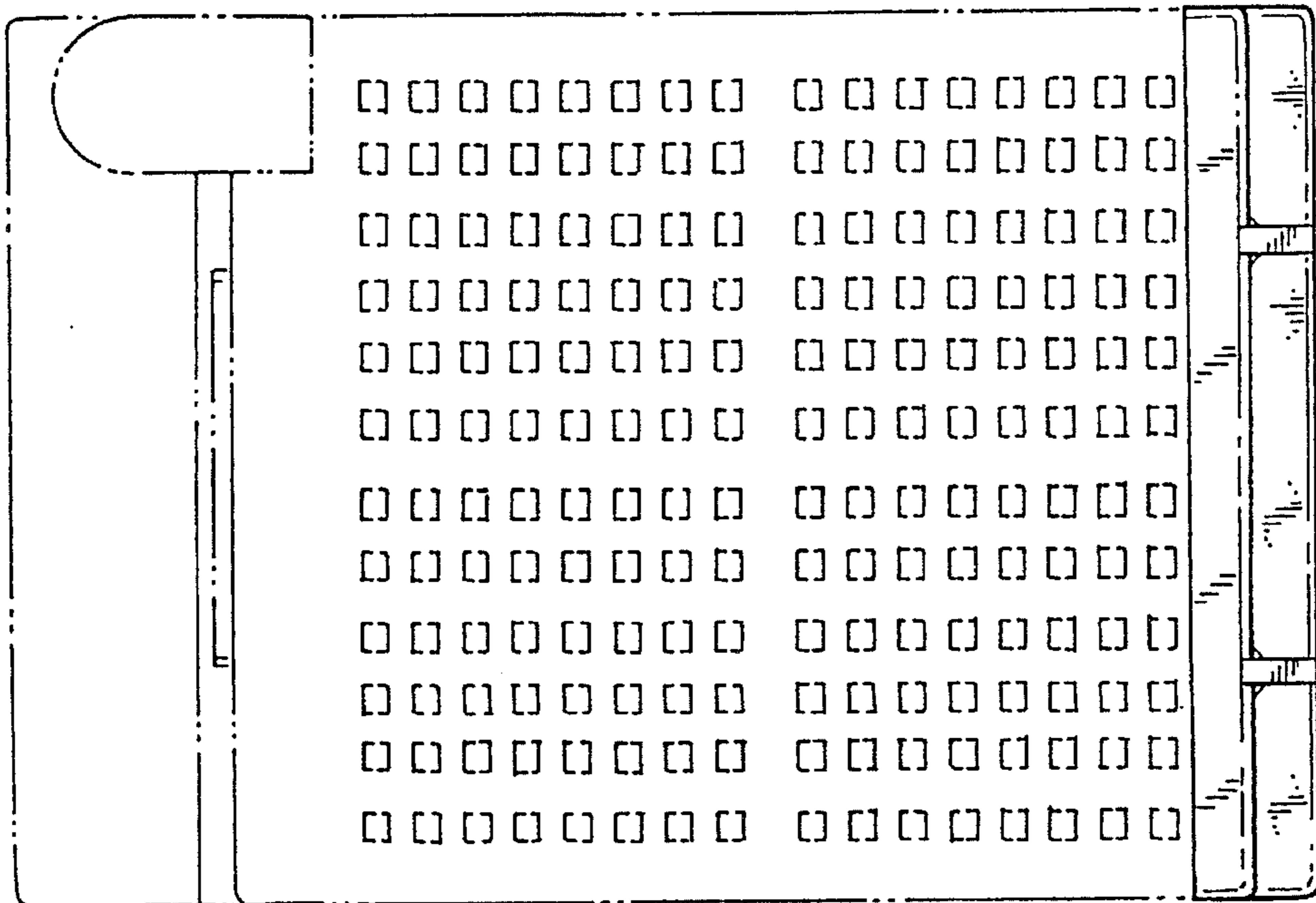


FIG. 7

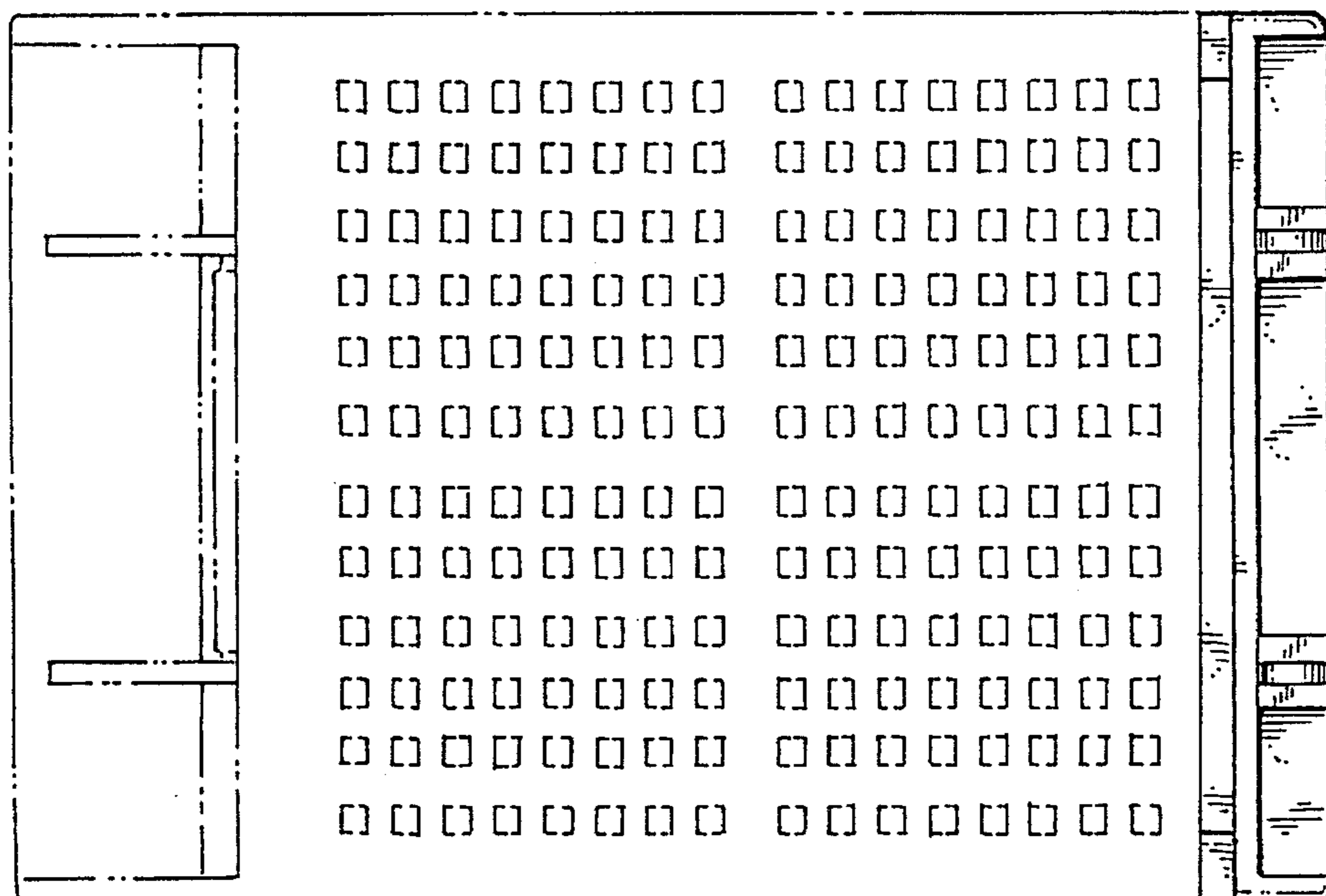


FIG. 8

