



US00D369207S

United States Patent [19] Wang

[11] **Patent Number:** **Des. 369,207**
[45] **Date of Patent:** ****Apr. 23, 1996**

[54] **WATER SPRAYER**

[76] **Inventor:** **Po-Hsiung Wang**, No. 91, Kuo Tai Rd.,
Chu Nan Chen, Miao Li Hsien, Taiwan

[**] **Term:** **14 Years**

[21] **Appl. No.:** **37,691**

[22] **Filed:** **Apr. 18, 1995**

[52] **U.S. Cl.** **D23/223**

[58] **Field of Search** **D23/213-224,**
D23/228-230; 239/394, 373, 414-415,
525-528

[56] **References Cited**

U.S. PATENT DOCUMENTS

D. 191,966	12/1961	Myers	D23/223
D. 359,101	6/1995	Kuo	D23/223
4,470,549	9/1984	McMillan et al.	239/526
4,666,085	5/1987	Liaw	239/394

Primary Examiner—A. Hugo Word
Assistant Examiner—Robin V. Taylor
Attorney, Agent, or Firm—Morton J. Rosenberg; David I. Klein

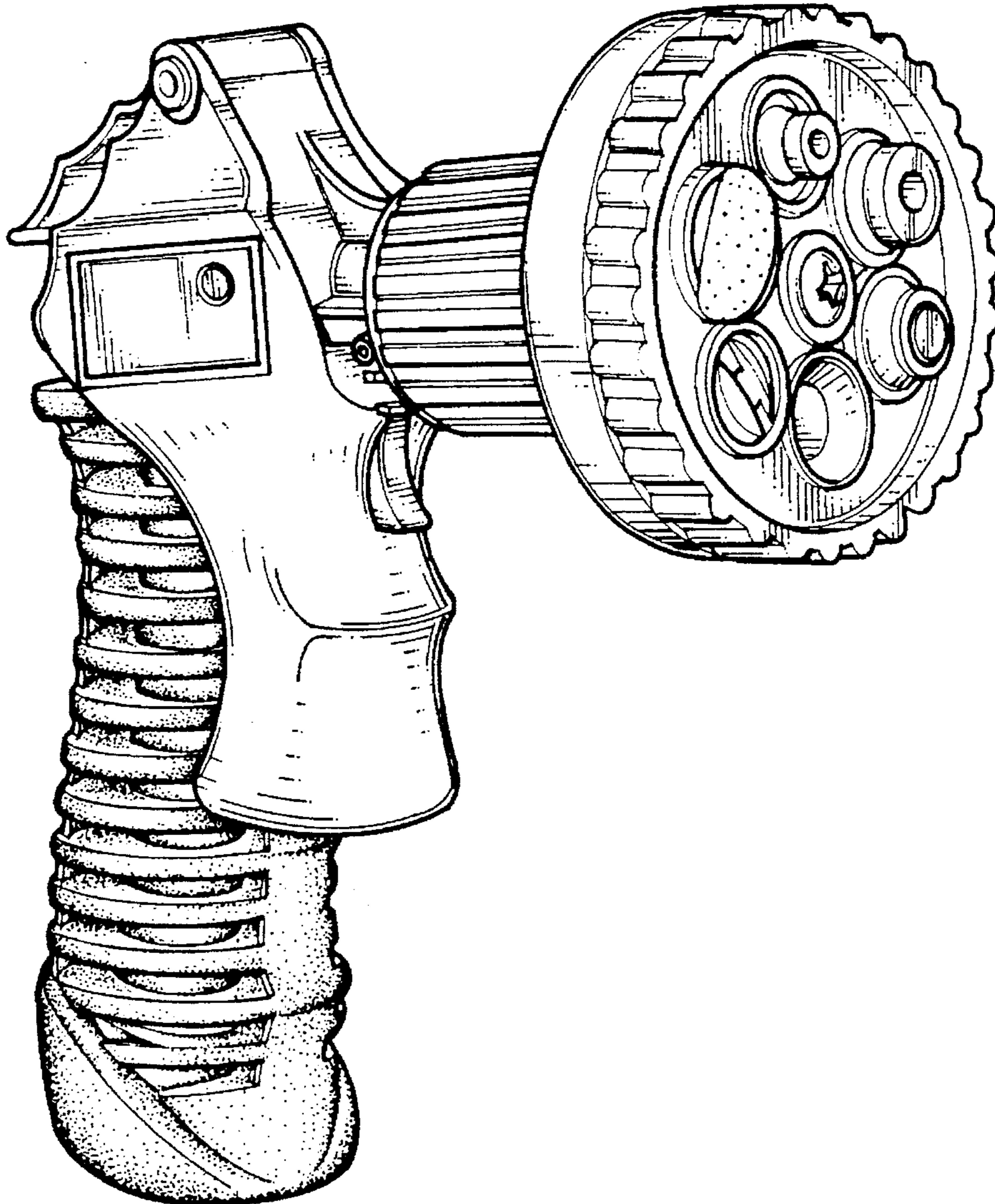
[57] **CLAIM**

The ornamental design of a water sprayer, as shown and described.

DESCRIPTION

FIG. 1 is a front view of a water sprayer showing my new and ornamental design;
FIG. 2 is a rear view thereof;
FIG. 3 is a left side view thereof;
FIG. 4 is a right side view thereof;
FIG. 5 is a top view thereof;
FIG. 6 is a bottom view thereof; and,
FIG. 7 is a perspective view thereof.

1 Claim, 4 Drawing Sheets



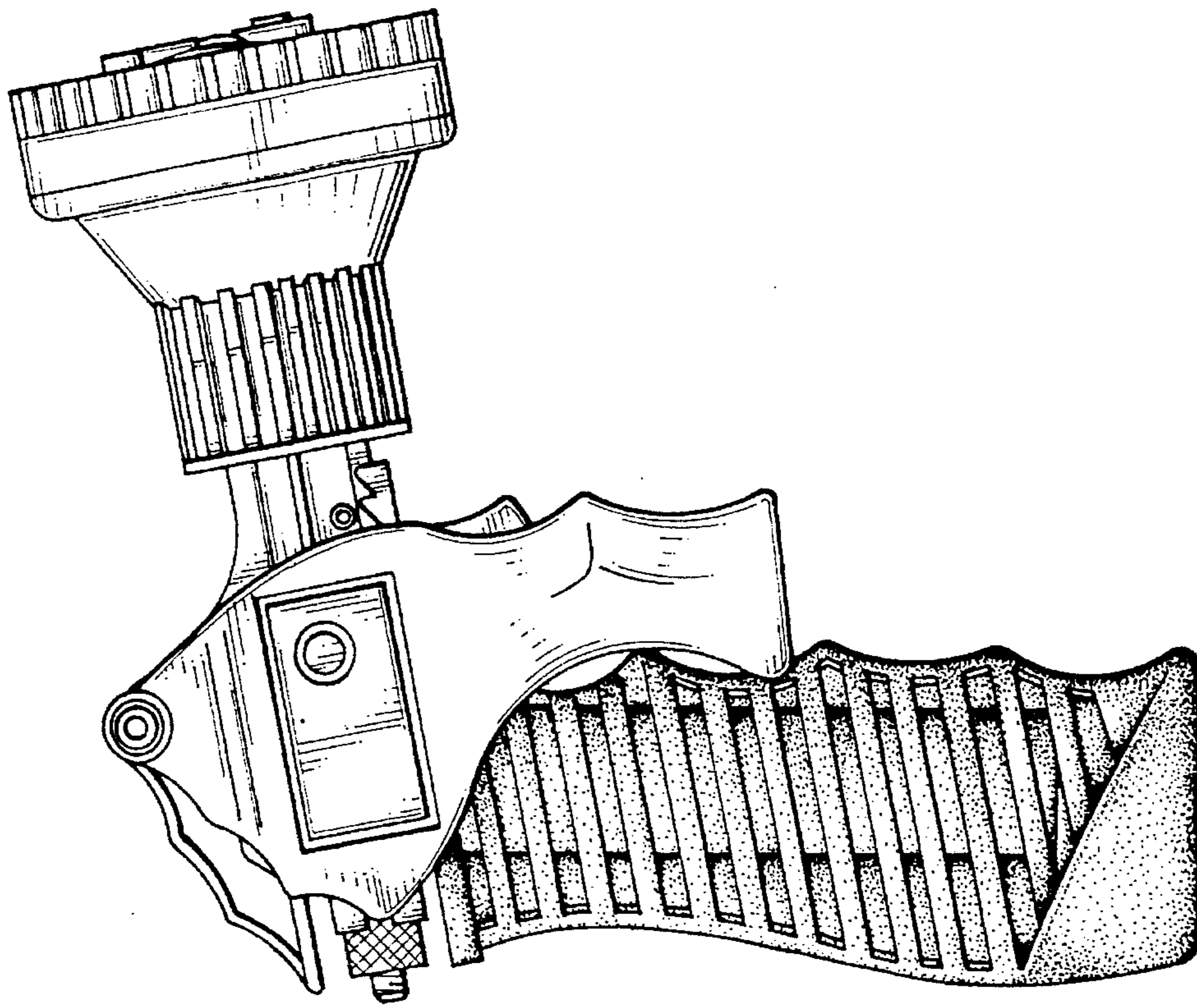


FIG. 1

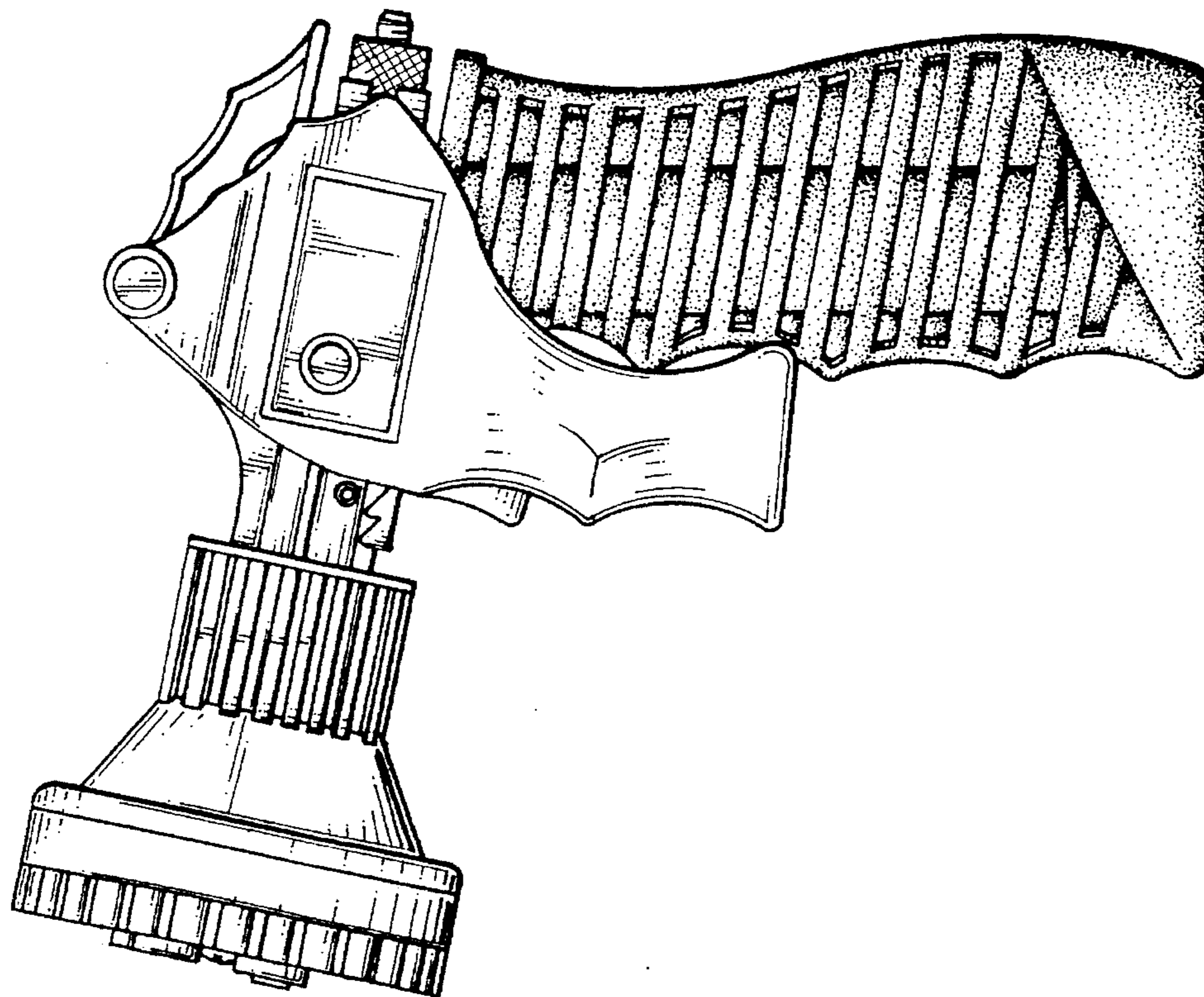


FIG. 2

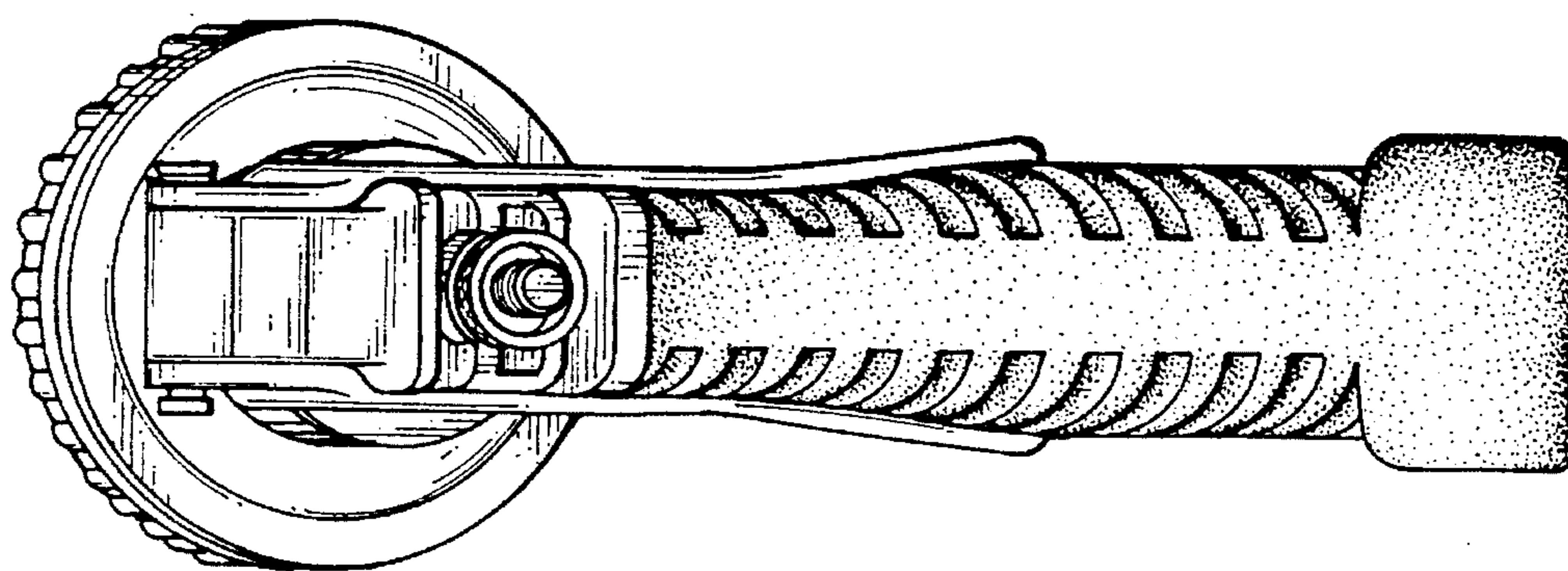


FIG. 3

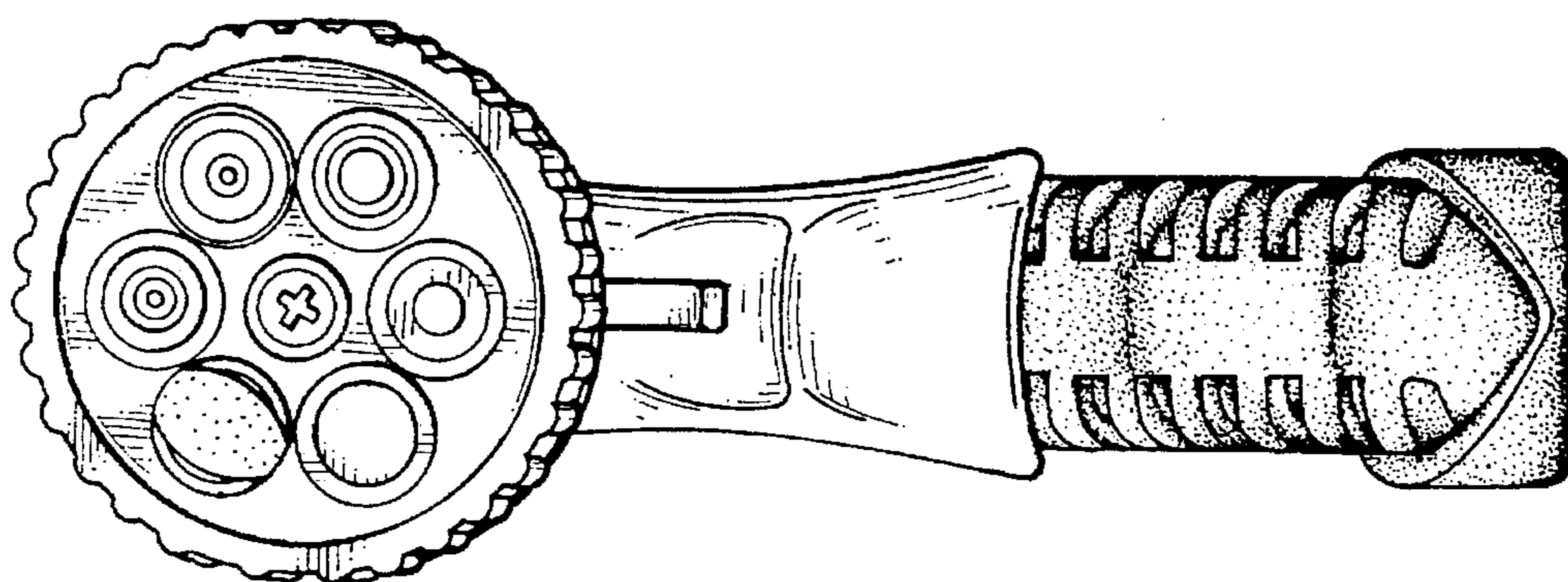


FIG. 4

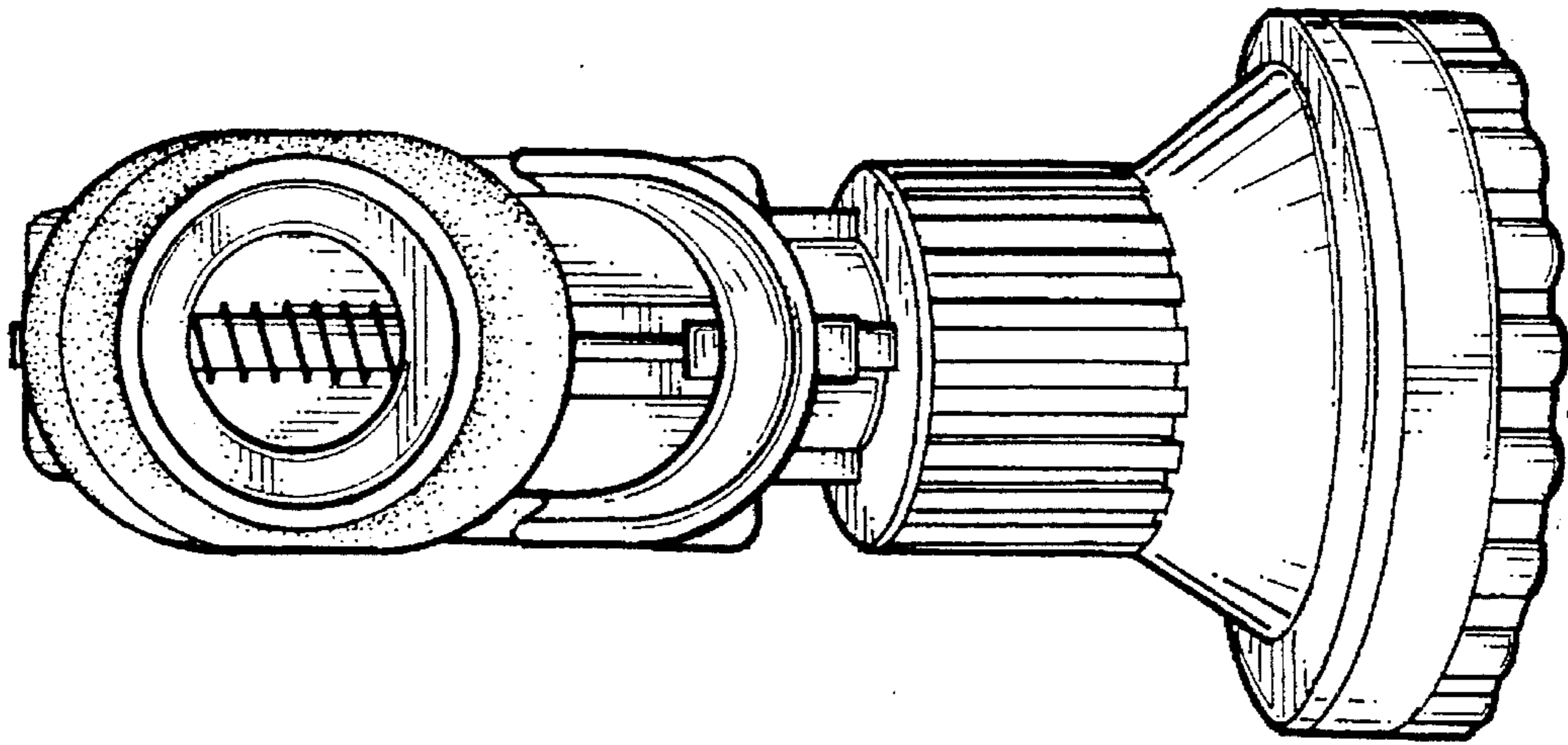


FIG. 6

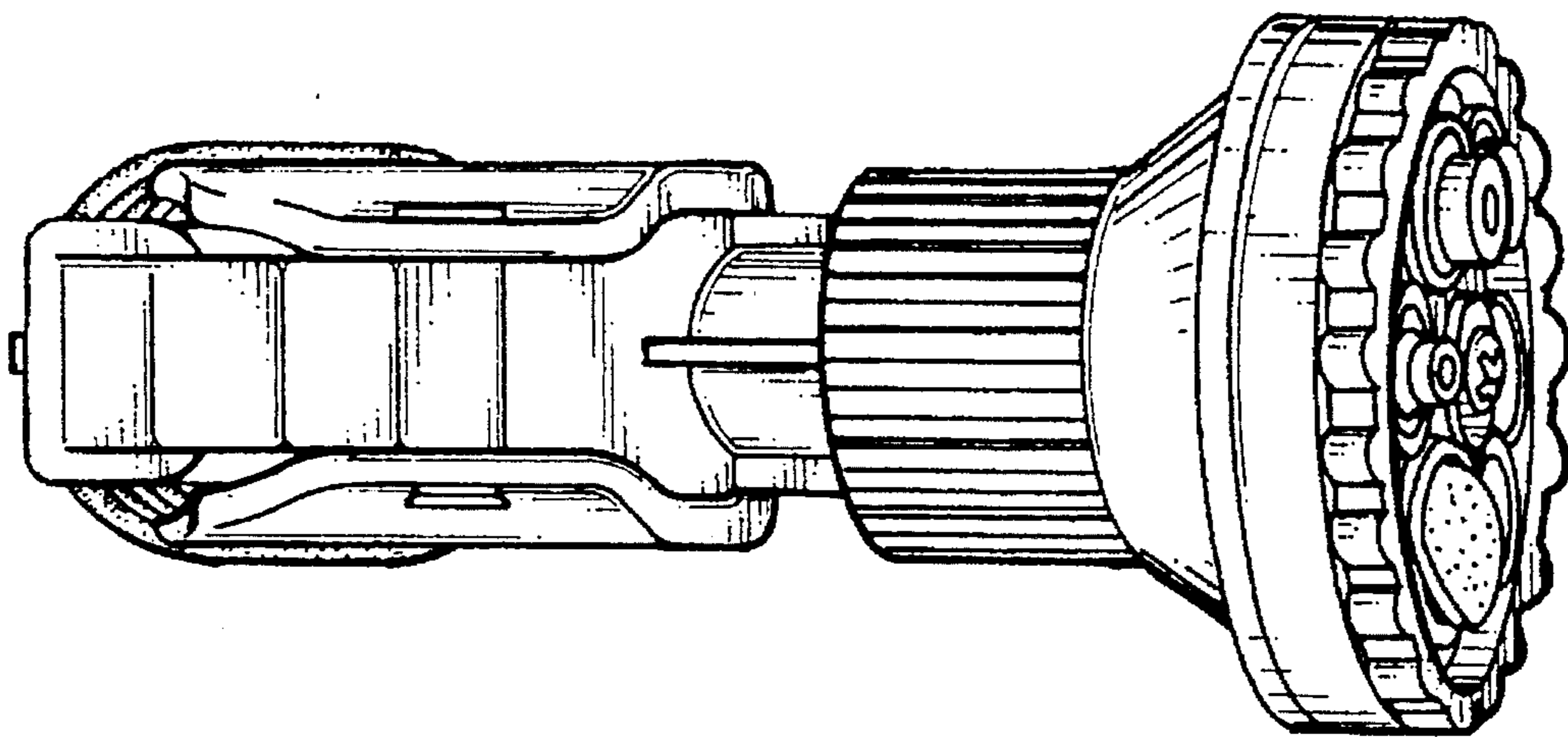


FIG. 5

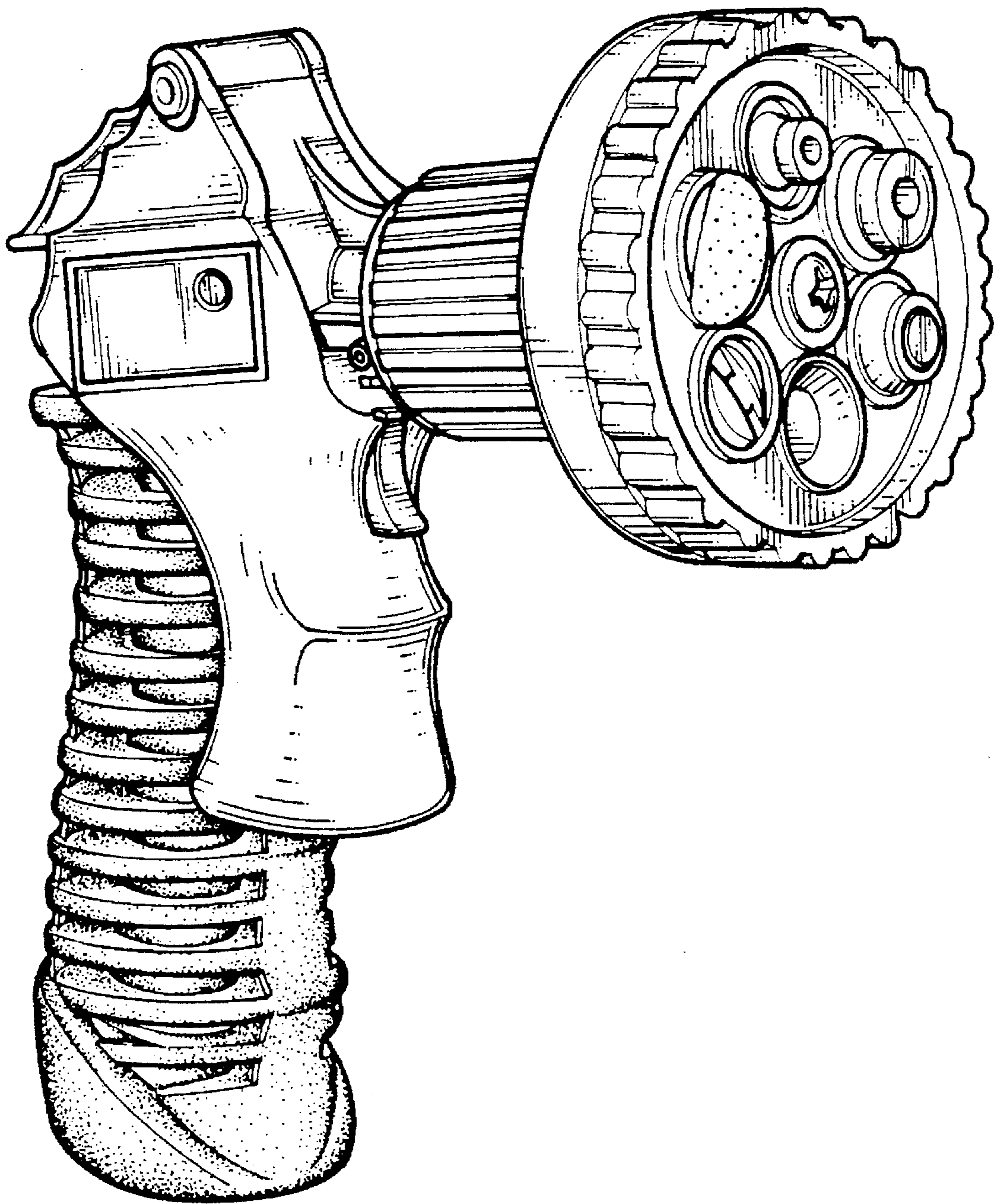


FIG. 7