



US00D369206S

# United States Patent [19]

Wang

[11] Patent Number: **Des. 369,206**

[45] Date of Patent: **\*\*Apr. 23, 1996**

[54] **WATER SPRAYER**

[76] Inventor: **Po-Hsiung Wang**, No. 91, Kuo Tai Rd.,  
Chu Nan Chen, Miao Li Hsien, Taiwan

[\*\*] Term: **14 Years**

[21] Appl. No.: **37,690**

[22] Filed: **Apr. 18, 1995**

[52] U.S. Cl. .... **D23/223**

[58] Field of Search ..... D23/213-224,  
D23/228-230; 239/373, 394, 414-415,  
525-528

[56] **References Cited**

**U.S. PATENT DOCUMENTS**

D. 221,547	8/1971	Kieves	.....	D23/226
D. 305,454	1/1990	Beal	.....	D23/226
D. 309,654	7/1990	Roman	.....	D23/226
4,448,355	5/1984	Roman	.....	239/526

*Primary Examiner*—A. Hugo Word  
*Assistant Examiner*—Robin V. Taylor  
*Attorney, Agent, or Firm*—Morton J. Rosenberg; David I. Klein

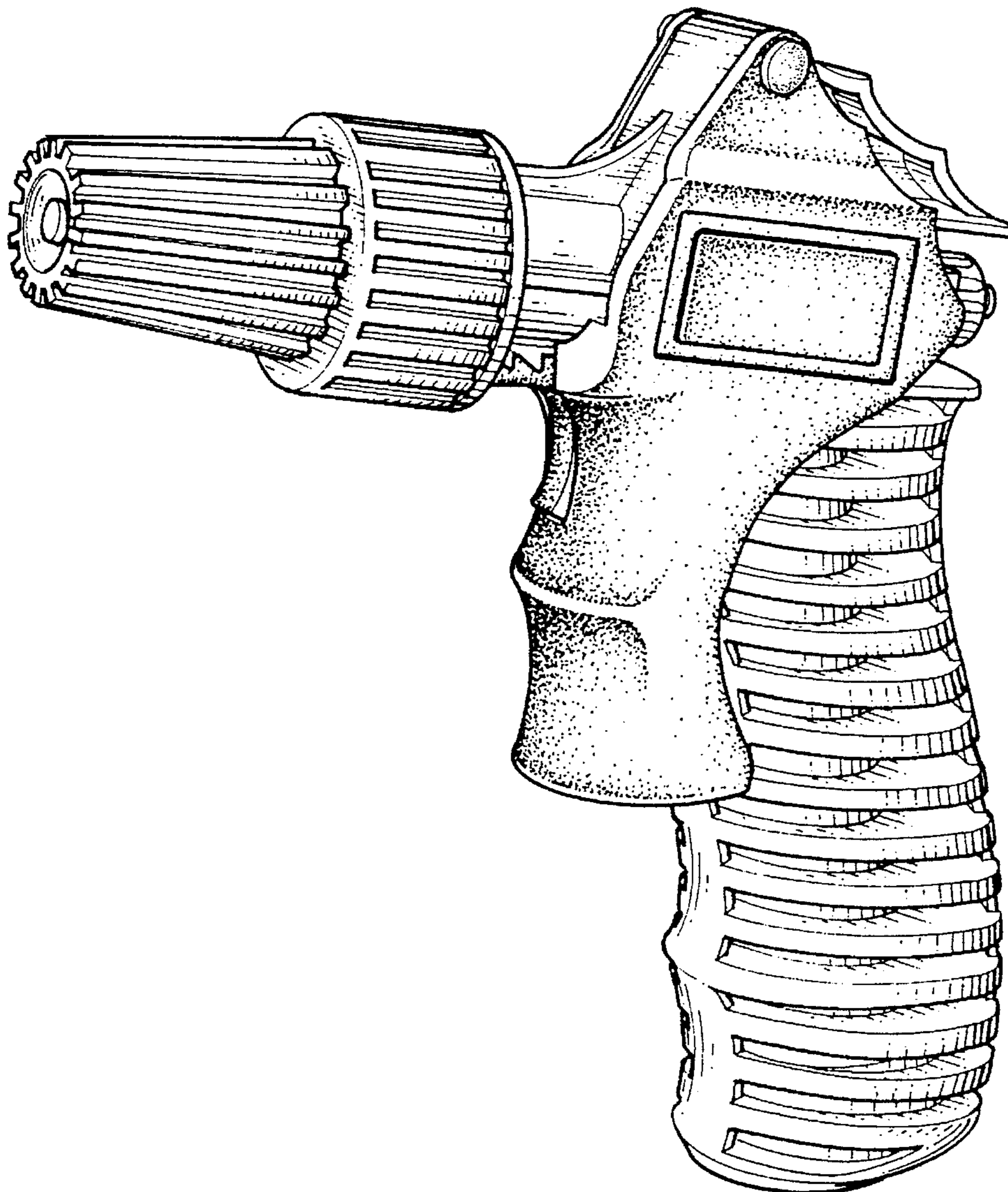
[57] **CLAIM**

The ornamental design for a water sprayer, as shown and described.

**DESCRIPTION**

FIG. 1 is a perspective view of a water sprayer showing my new and ornamental design;  
FIG. 2 is a rear view thereof;  
FIG. 3 is a front view thereof;  
FIG. 4 is a left side view thereof;  
FIG. 5 is a right side view thereof;  
FIG. 6 is a top view thereof; and,  
FIG. 7 is a bottom view thereof.

**1 Claim, 5 Drawing Sheets**



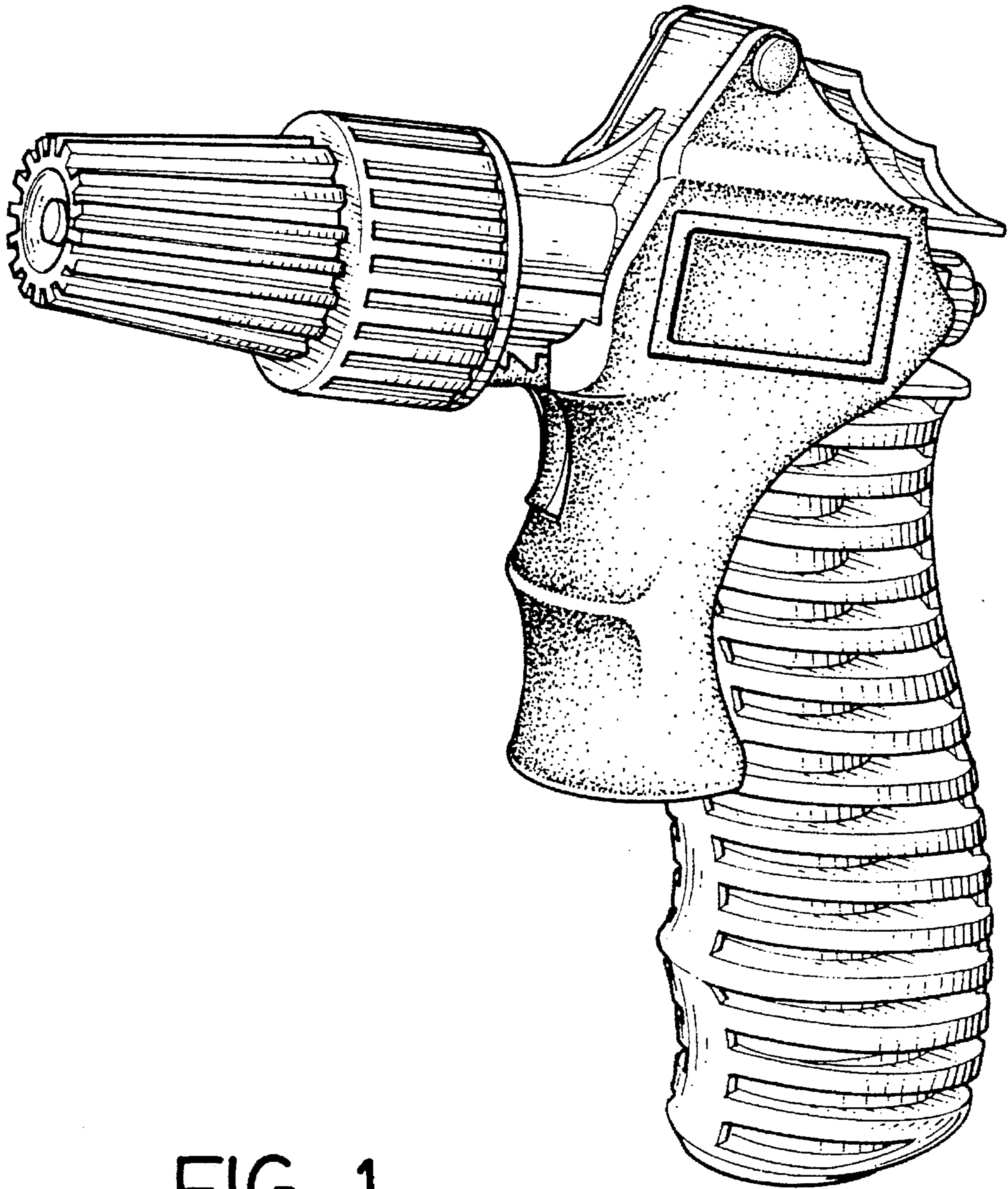


FIG. 1

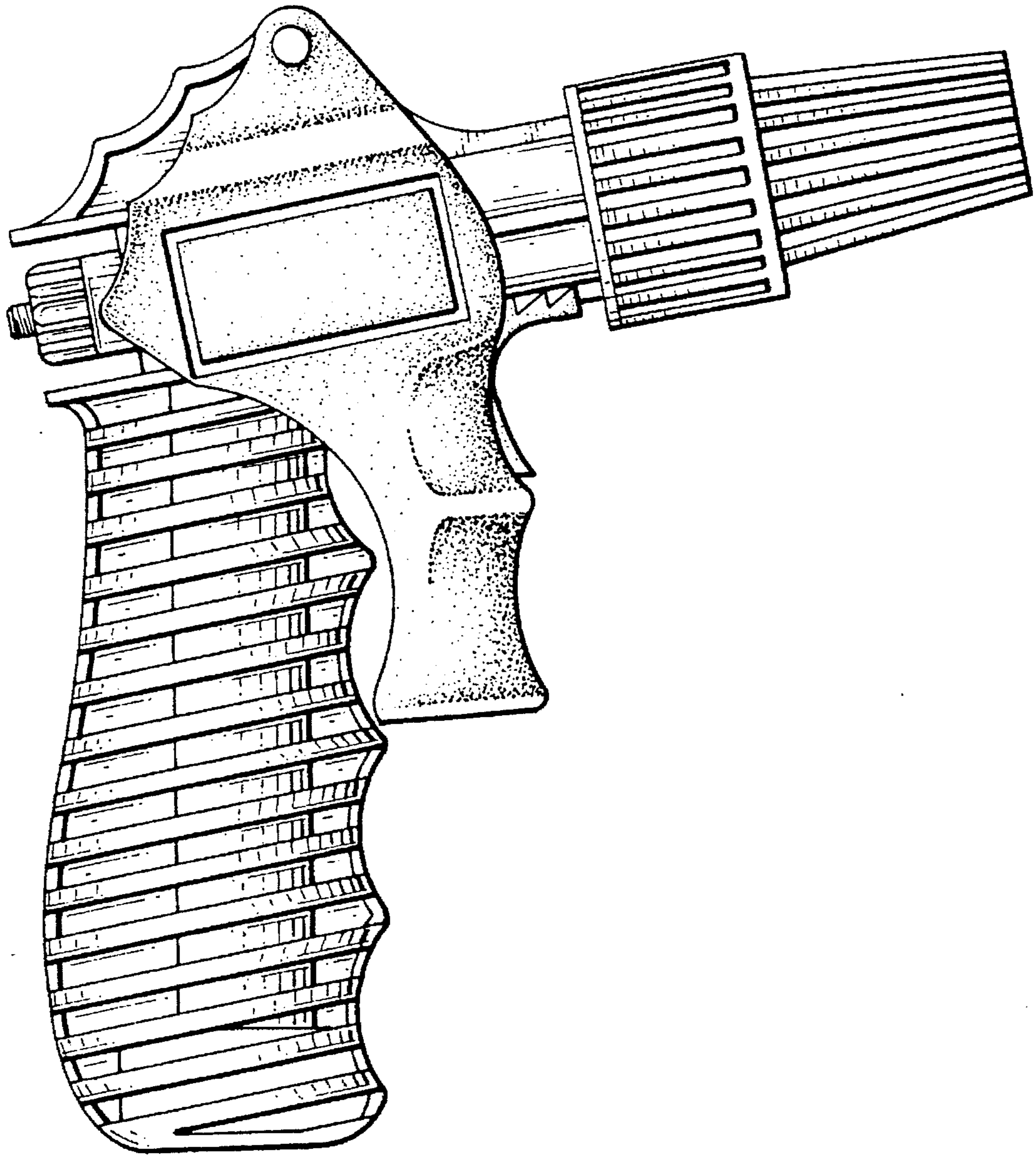


FIG. 2



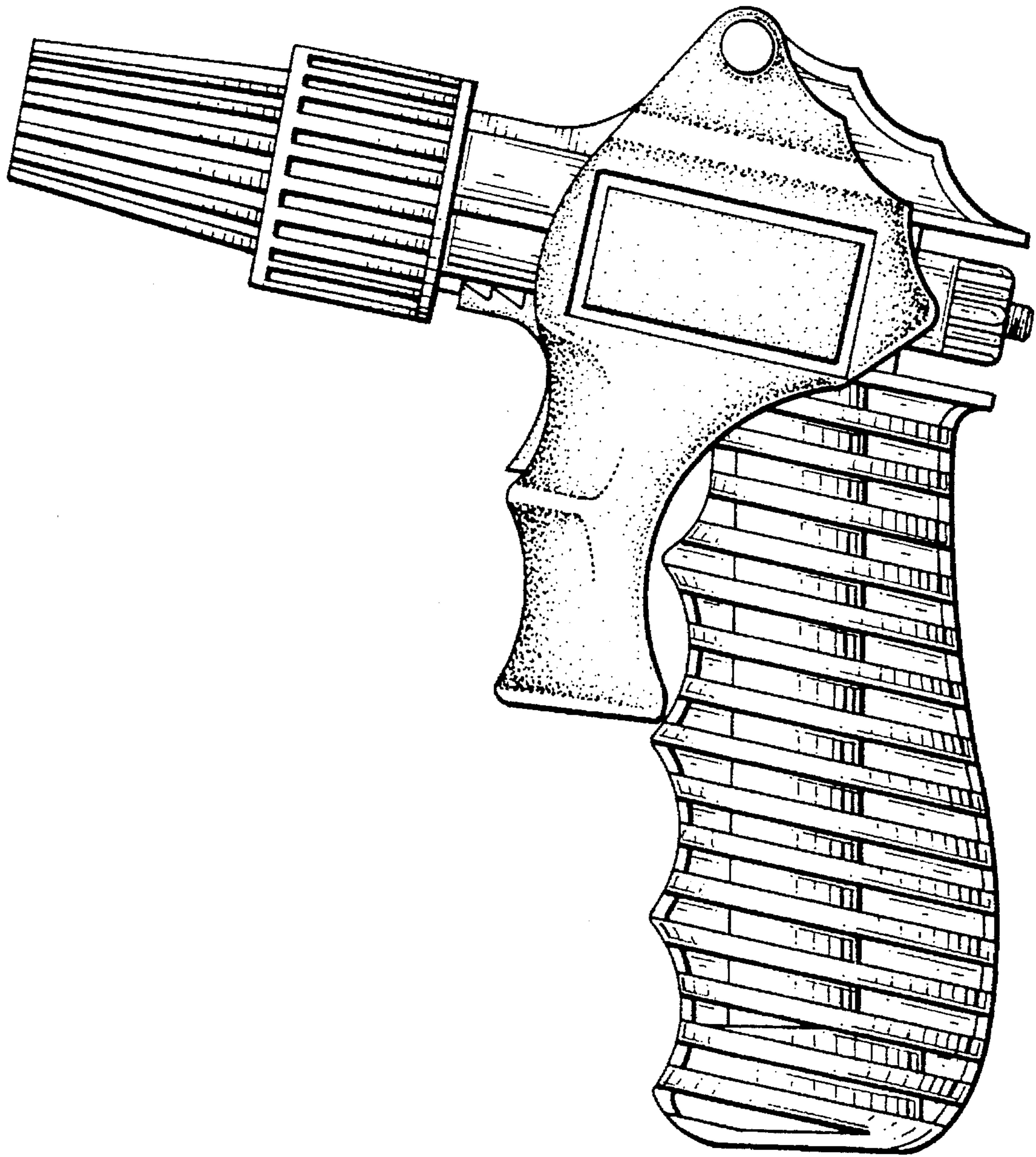


FIG. 3

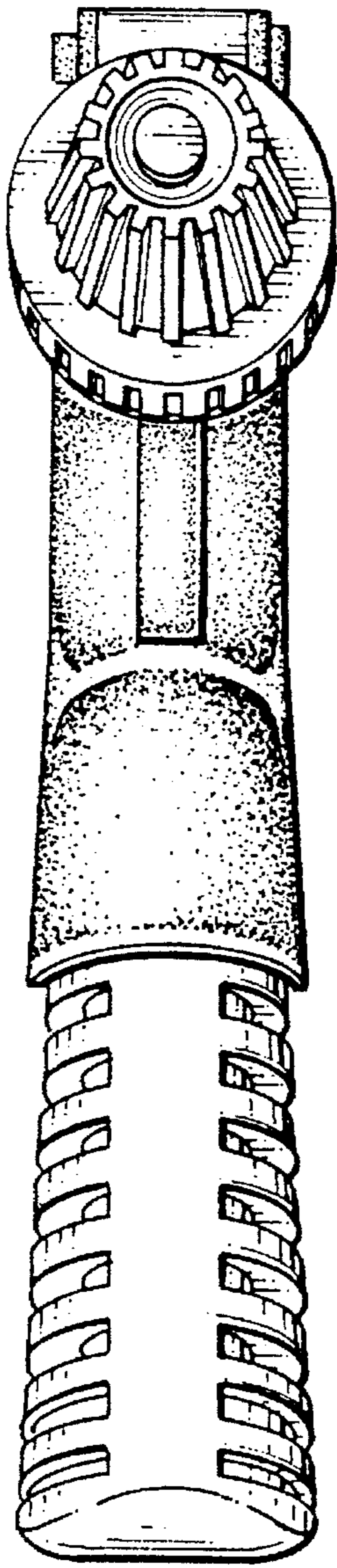


FIG. 4

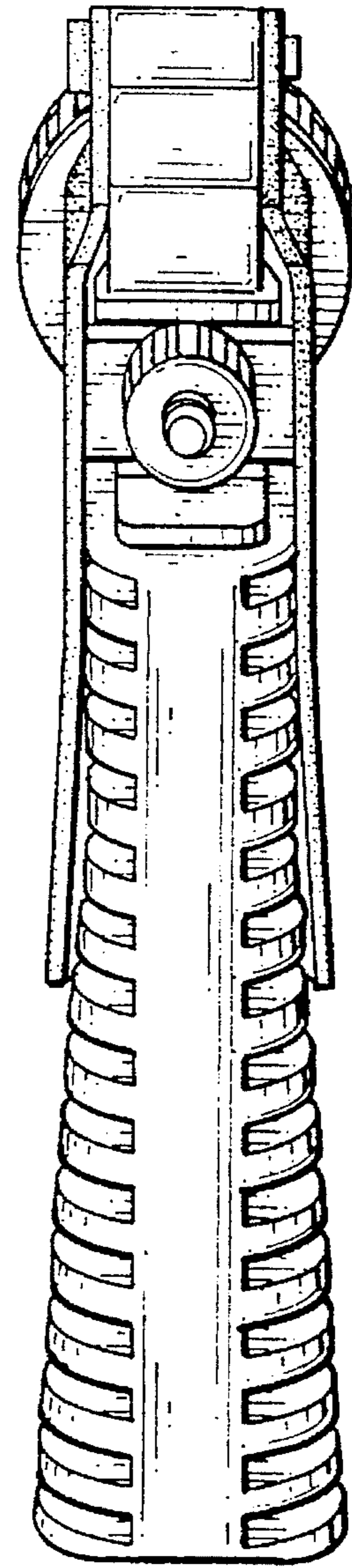


FIG. 5

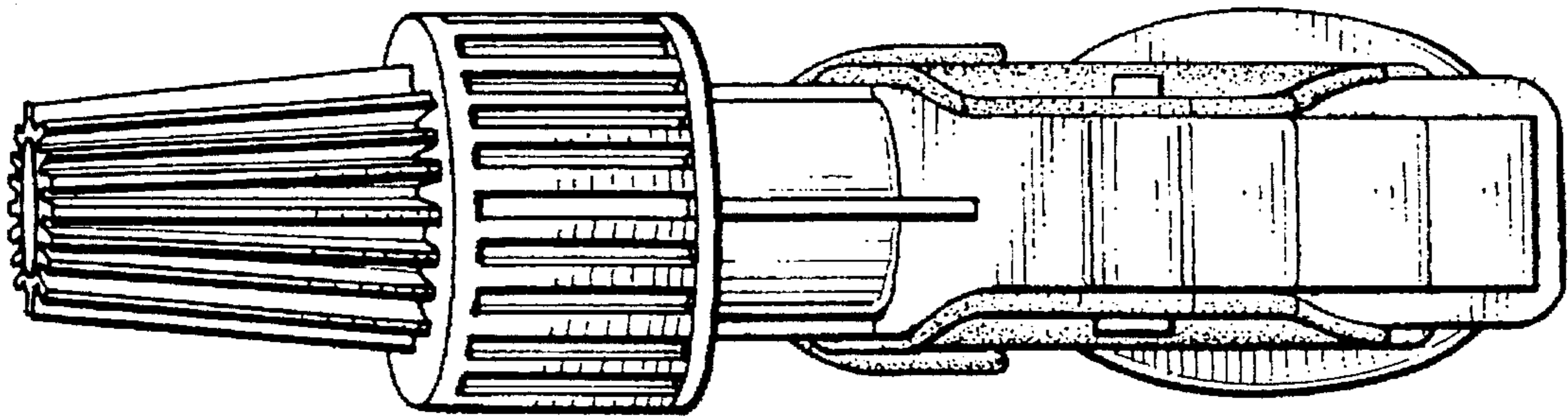


FIG. 6

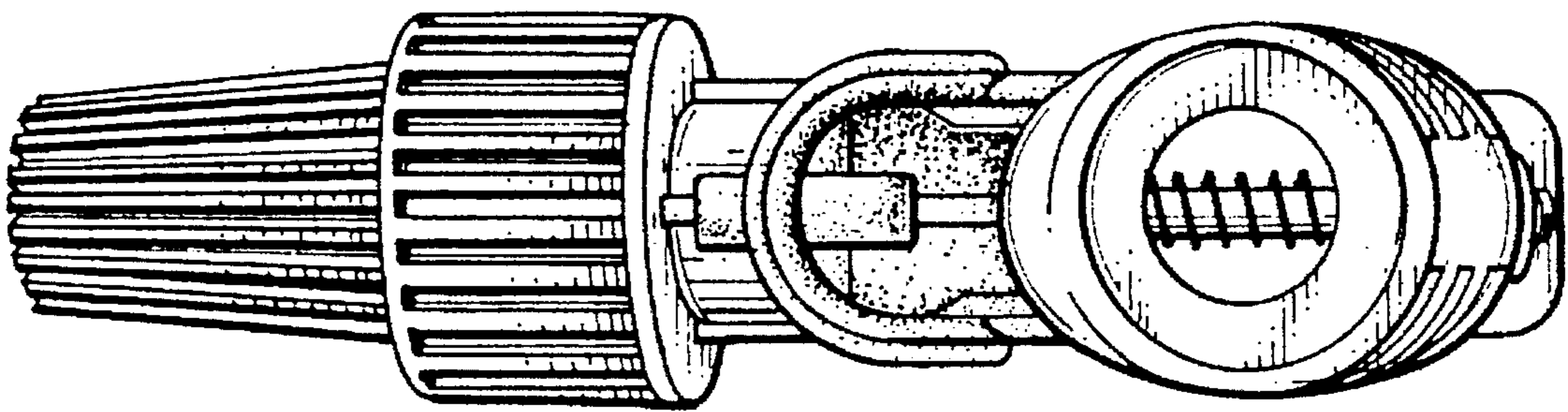


FIG. 7