



US00D369204S

United States Patent [19]

[11] Patent Number: **Des. 369,204**

Andrus

[45] Date of Patent: ****Apr. 23, 1996**

[54] **HAND HELD SHOWER HEAD**

[75] Inventor: **Leonard C. Andrus**, W. Bloomfield, Mich.

[73] Assignee: **Brass Craft Manufacturing Company**, Novi, Mich.

[**] Term: **14 Years**

[21] Appl. No.: **26,909**

[22] Filed: **Aug. 9, 1994**

[52] U.S. Cl. **D23/223**

[58] Field of Search D23/213, 223-229; 239/394, 268, 282, 456-460, 443-449, 390-391, 380-383, 562-567; 4/567, 570, 596, 615

- D. 334,046 3/1993 Klose .
- D. 334,048 3/1993 Ben-Zur D23/223
- D. 337,810 7/1993 Bengtson et al. .
- D. 339,627 9/1993 Klose .
- 3,180,579 4/1965 Tomaso .
- 3,468,483 9/1969 Parkison .
- 4,068,801 1/1978 Leutheuser 239/394
- 4,203,550 5/1980 On .
- 4,303,201 12/1981 Elkins et al. .
- 4,588,130 5/1986 Trenary et al. .
- 4,629,125 12/1986 Liu .
- 5,297,735 3/1994 Heimann et al. .

OTHER PUBLICATIONS

Hardware Age Item Shower Massager, Advertisement Great Vibrations, Mar. 1987.
Shower Message—Teledyne Water Pik Brochure 1993.

Primary Examiner—A. Hugo Word
Assistant Examiner—Robin V. Taylor
Attorney, Agent, or Firm—Myron B. Kapustij; Malcolm L. Sutherland

[56] **References Cited**

U.S. PATENT DOCUMENTS

- D. 208,526 9/1967 Delamater .
- D. 245,859 9/1977 Grube .
- D. 261,300 10/1981 Klose .
- D. 261,417 10/1981 Klose .
- D. 267,582 1/1983 Mackay et al. .
- D. 268,359 3/1983 Klose .
- D. 268,611 4/1983 Klose .
- D. 269,540 6/1983 Larsson .
- D. 295,437 4/1988 Fabian D23/223
- D. 313,456 1/1991 Presman .
- D. 313,833 1/1991 Presman .
- D. 314,608 2/1991 Presman .
- D. 315,191 3/1991 Mikol .
- D. 320,064 9/1991 Presman .
- D. 323,205 1/1992 Klose .
- D. 327,729 7/1992 Rogers .
- D. 332,303 1/1993 Klose .
- D. 333,338 2/1993 Klose .

[57] **CLAIM**

The ornamental design for a hand held shower head, as shown and described.

DESCRIPTION

FIG. 1 is a front perspective view of a hand held shower head showing my new design;
FIG. 2 is a front elevational view thereof;
FIG. 3 is a left side elevational view thereof, the right side being a mirror image;
FIG. 4 is a bottom plan view thereof;
FIG. 5 is a rear elevational view thereof;
FIG. 6 is a top plan view thereof;

1 Claim, 3 Drawing Sheets

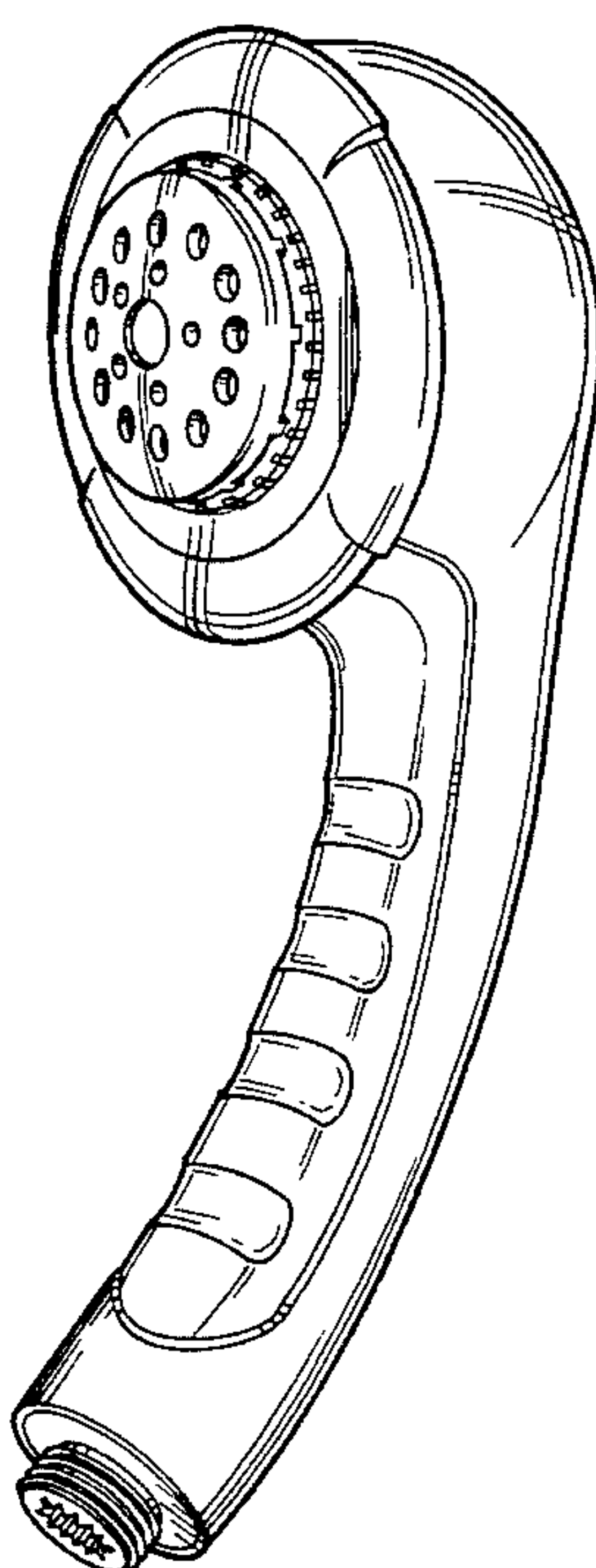


Fig - 1

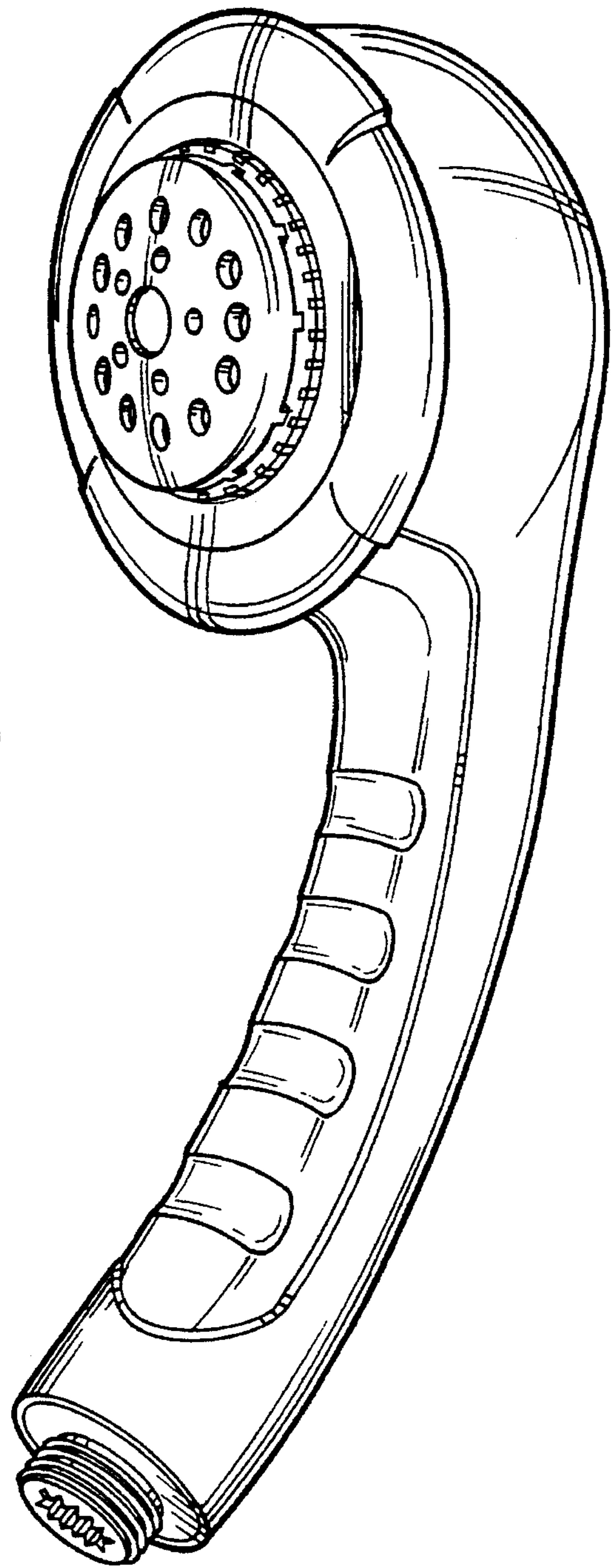
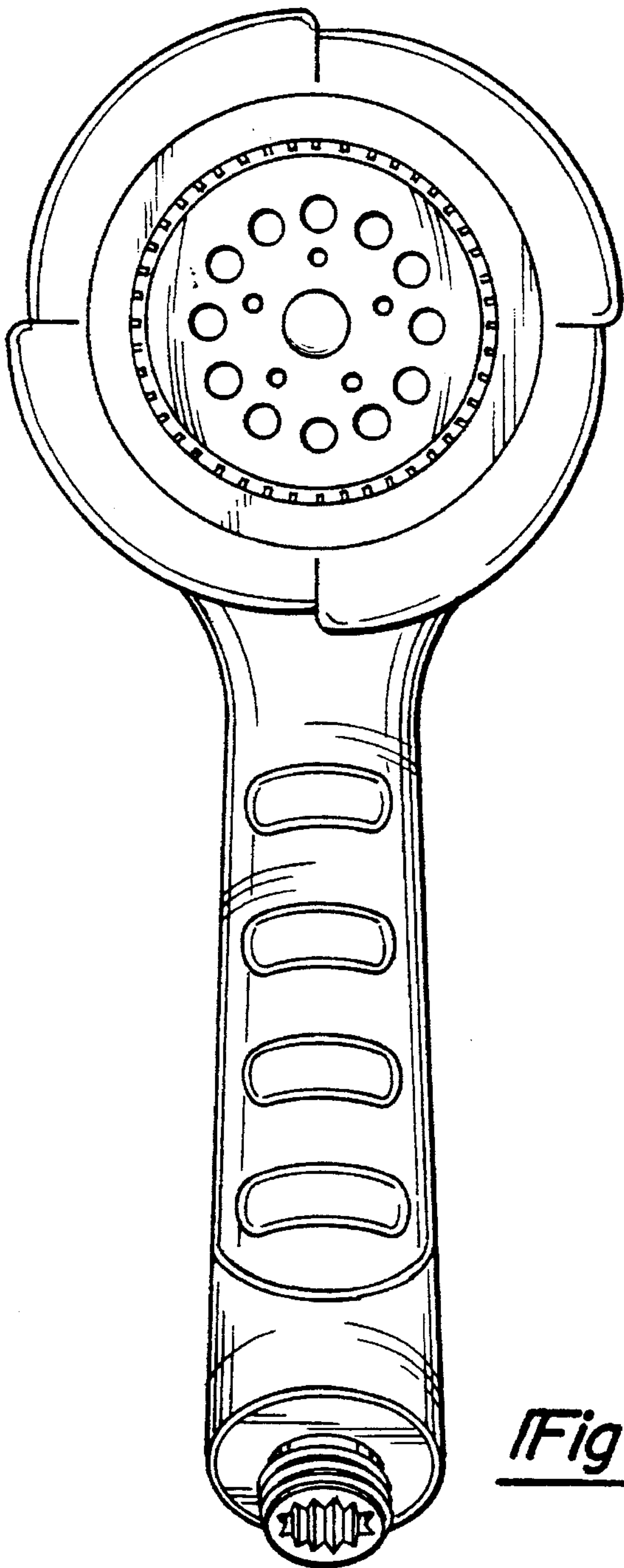


Fig - 2

Fig - 3

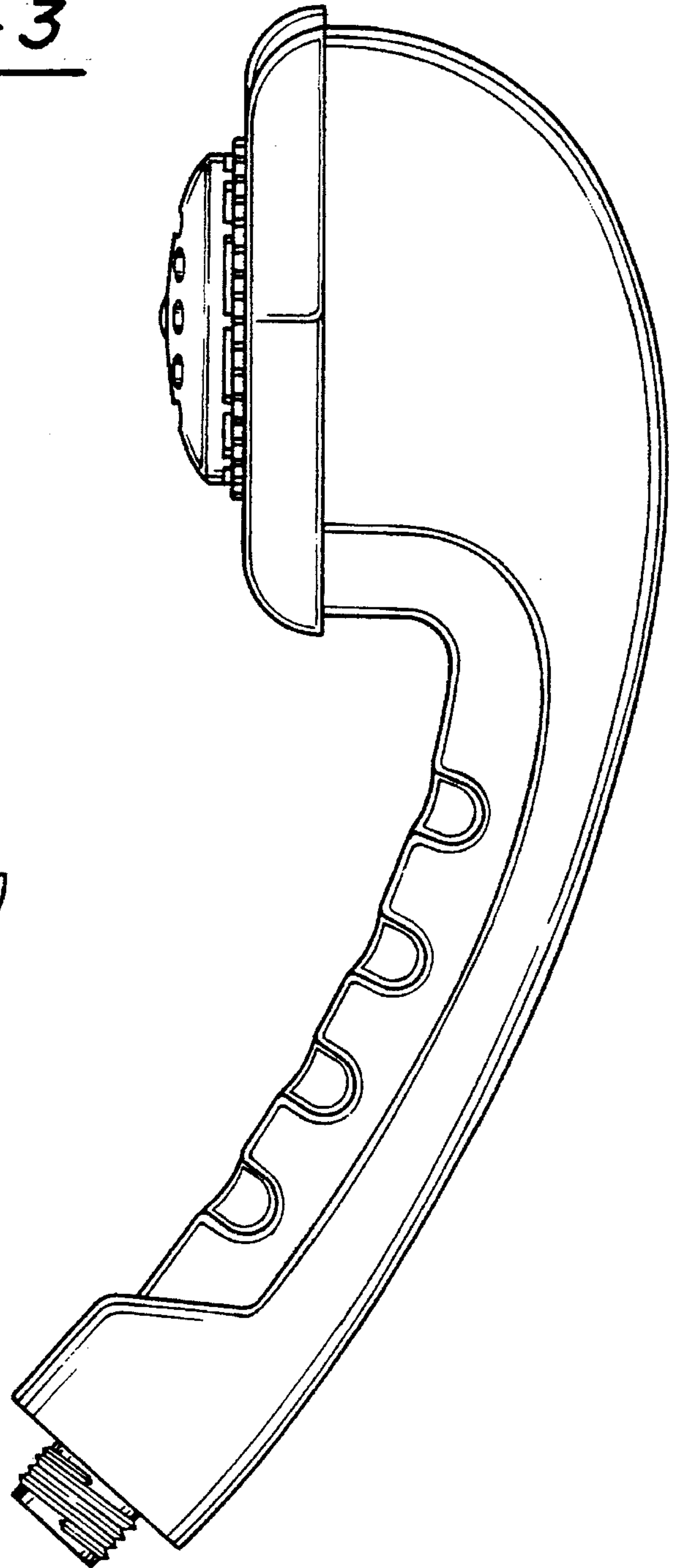
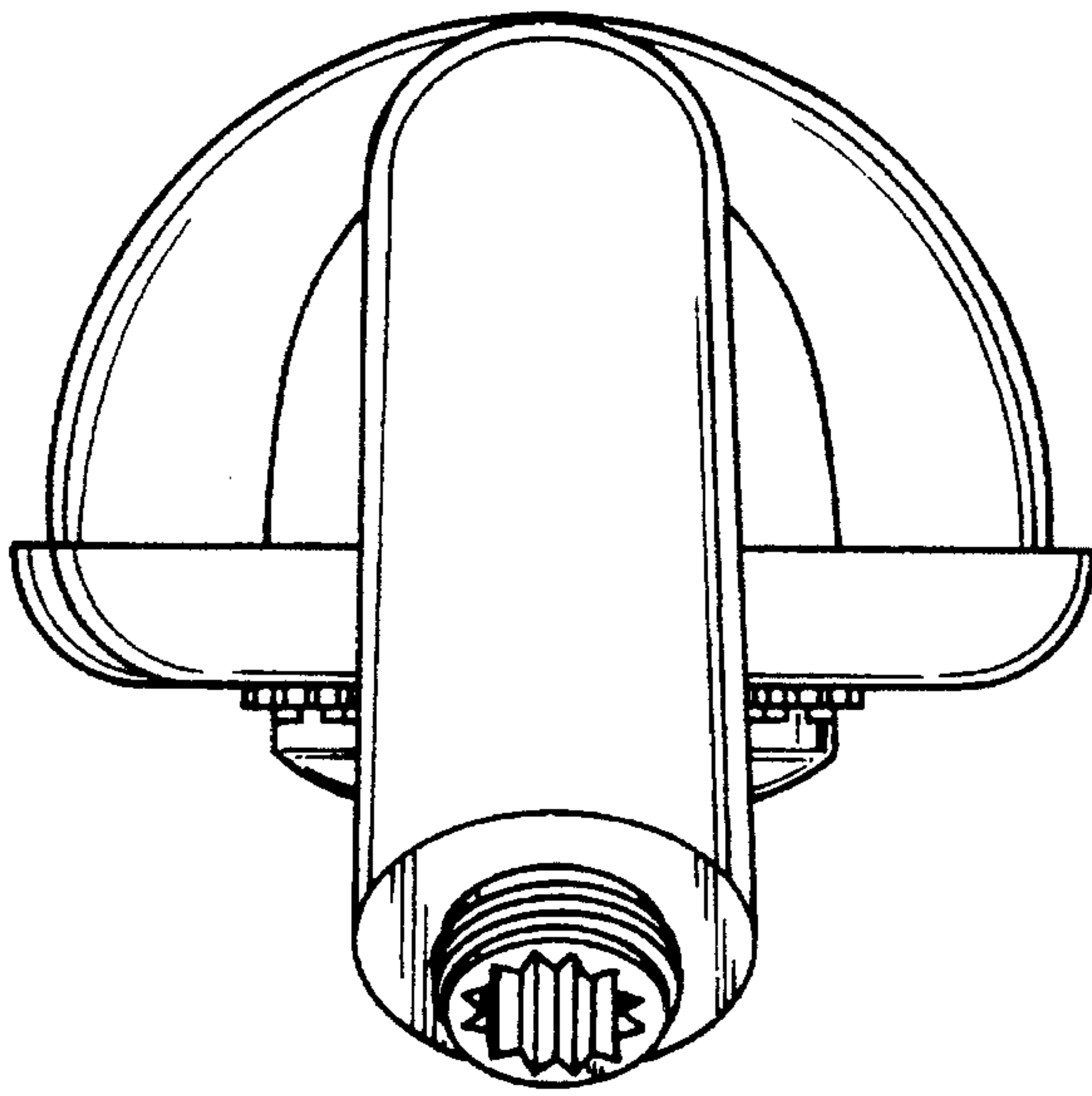


Fig - 4



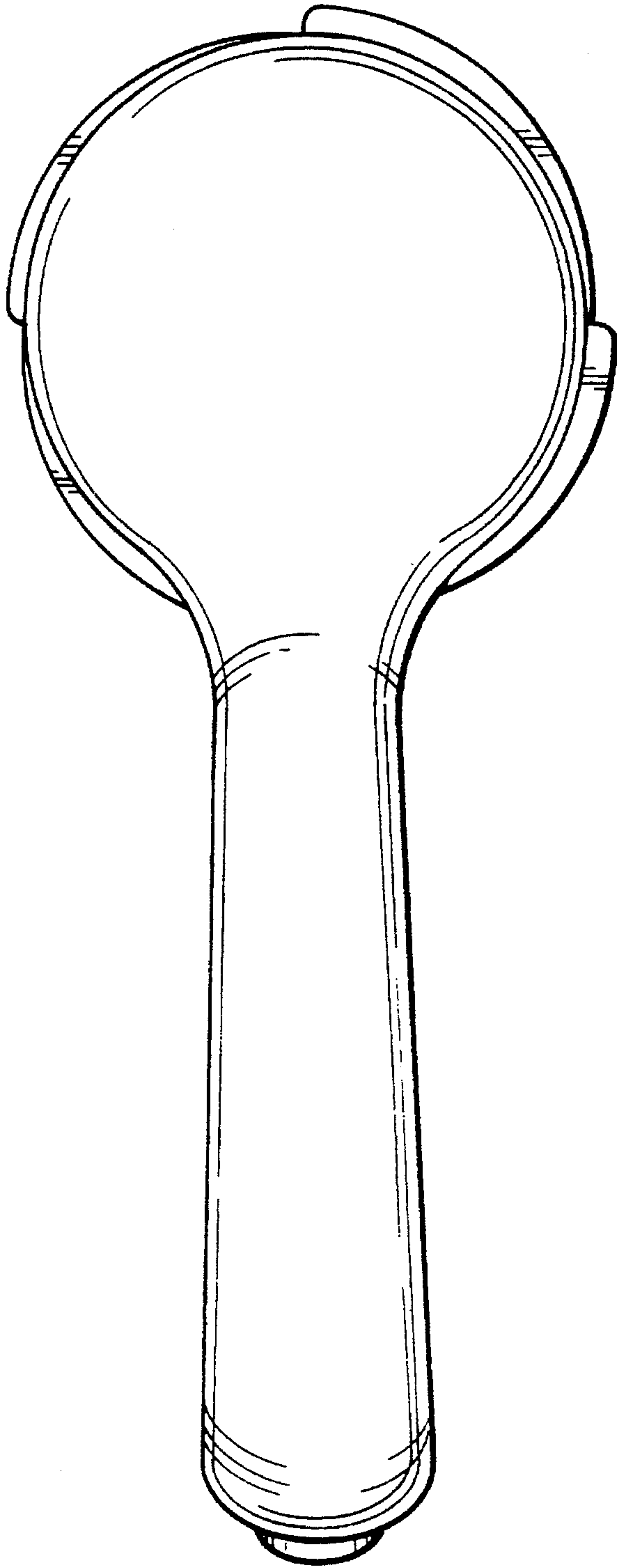


Fig - 5

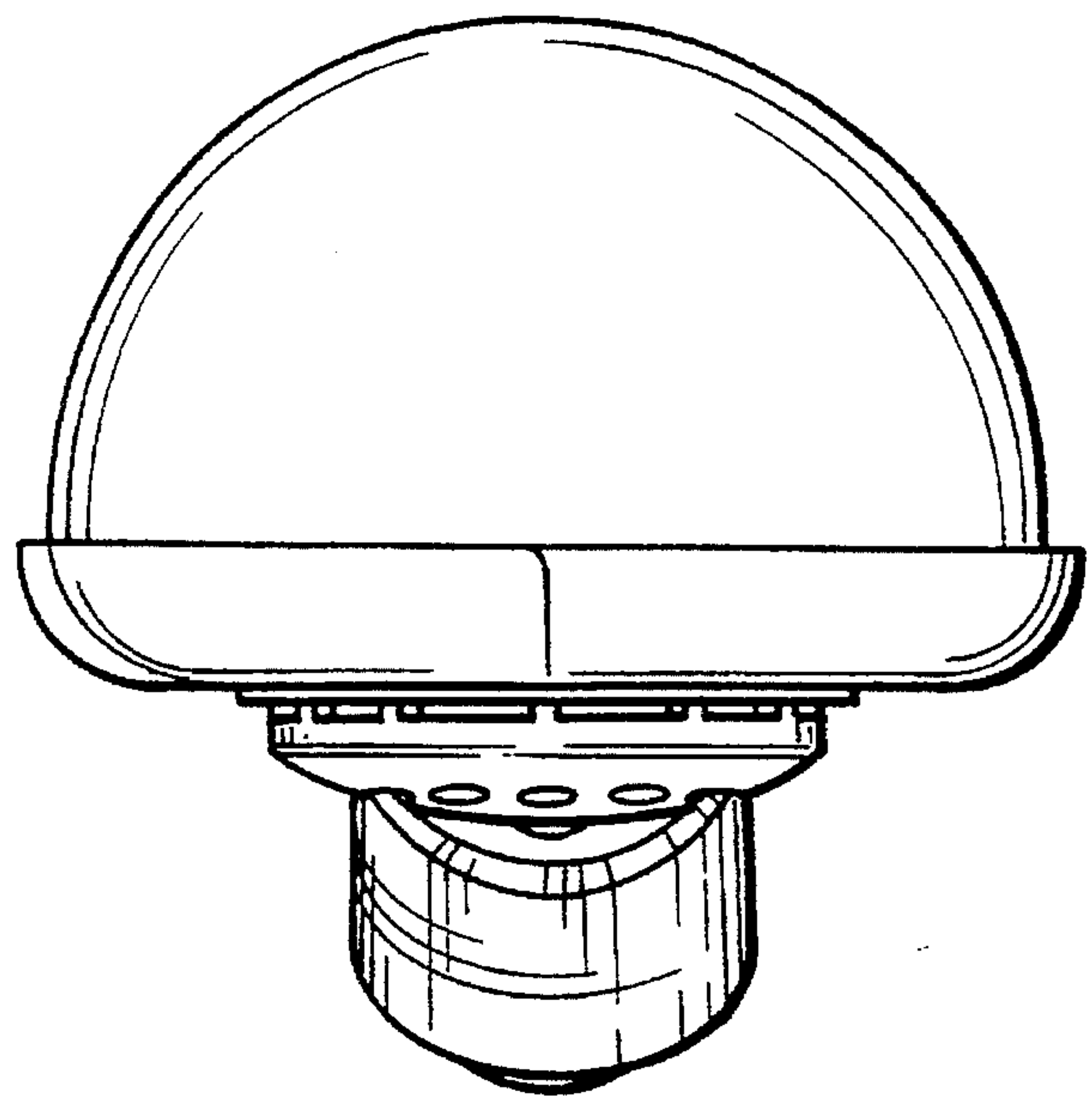


Fig - 6