



US00D369202S

United States Patent [19] Jackson

[11] Patent Number: **Des. 369,202**

[45] Date of Patent: ****Apr. 23, 1996**

[54] **SQUIRREL SKINNER**

[76] Inventor: **George Jackson**, R.D. 4, Box 175,
Moundsville, W. Va. 26041

[**] Term: **14 Years**

[21] Appl. No.: **33,355**

[22] Filed: **Jan. 11, 1995**

[52] U.S. Cl. **D22/149**

[58] Field of Search D22/199, 149,
D22/134; D7/682, 693; 452/132, 125, 128

[56] **References Cited**

U.S. PATENT DOCUMENTS

D. 159,908	8/1950	Hulquist	D7/682
D. 188,383	7/1960	Gravning	D22/149
D. 210,482	3/1968	Tomaiuolo	D22/149
D. 265,281	7/1982	Bennett	D7/682 X
D. 299,151	12/1988	Rietmann	D22/134 X
D. 301,602	6/1989	Rose	D22/199
901,016	10/1908	Little	452/132
2,489,734	11/1949	Walsh	452/132
2,778,054	1/1957	Whittaker	452/132
3,371,375	3/1968	Bartel .	
3,435,522	4/1969	Wezel et al.	452/132 X
3,443,275	5/1969	Radtke .	
4,425,678	1/1984	Pepper .	

4,625,363	12/1986	Watson	452/187
4,635,319	1/1987	Gast	452/128
4,656,693	4/1987	Brooks .	
4,782,557	11/1988	Gladney, et al. .	

FOREIGN PATENT DOCUMENTS

712623	9/1941	Germany .
584833	12/1977	U.S.S.R. .
2047071	11/1980	United Kingdom .

Primary Examiner—Doris V. Coles
Attorney, Agent, or Firm—Richard C. Litman

[57] CLAIM

The ornamental design for a squirrel skinner, as shown and described.

DESCRIPTION

FIG. 1 is a perspective view of a squirrel skinner showing my new design;
FIG. 2 is a front elevational view thereof;
FIG. 3 is a rear elevational view thereof;
FIG. 4 is a top view thereof;
FIG. 5 is a right side elevational view with the left side being a mirror image thereof; and,
FIG. 6 is a bottom view thereof.

1 Claim, 3 Drawing Sheets

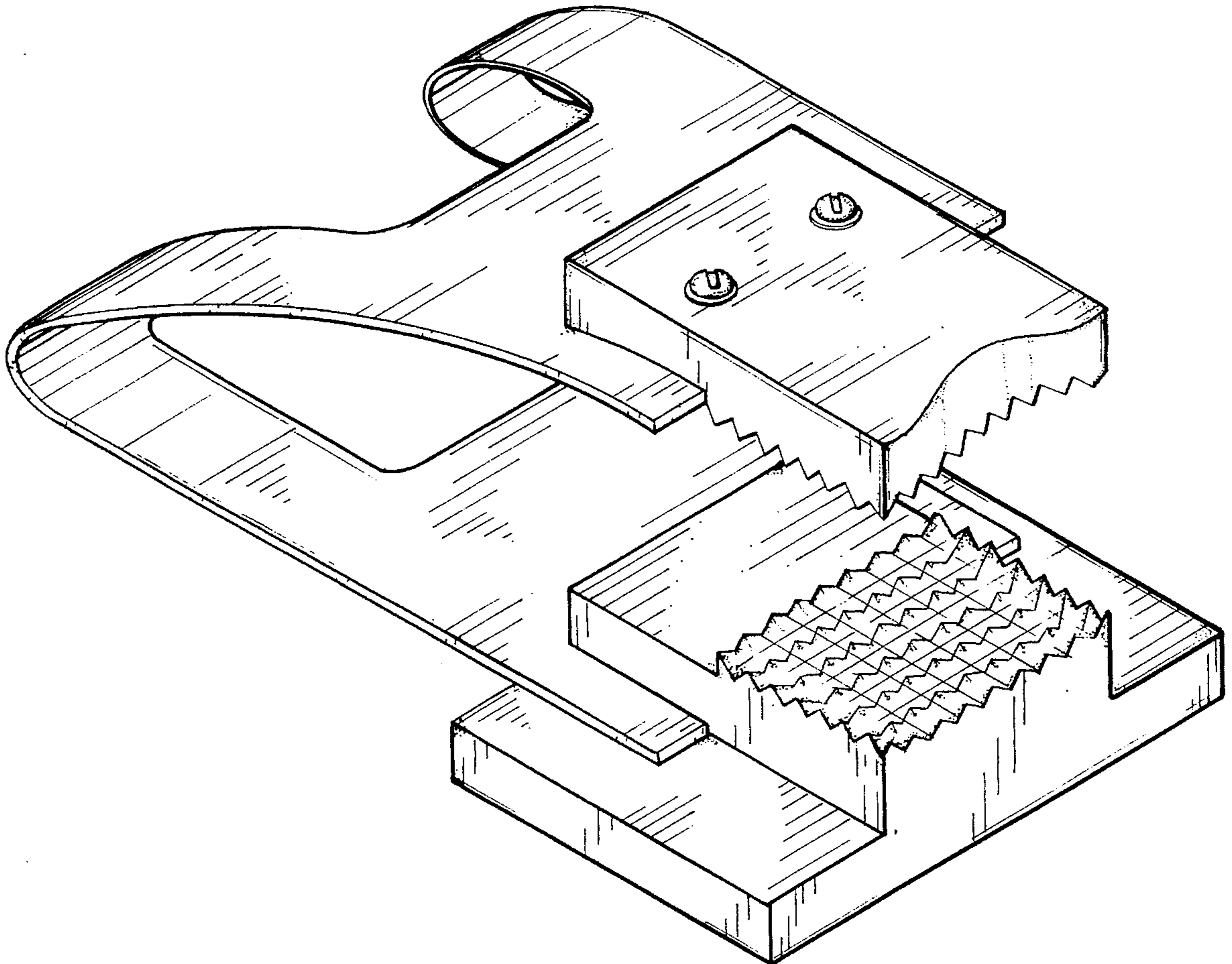
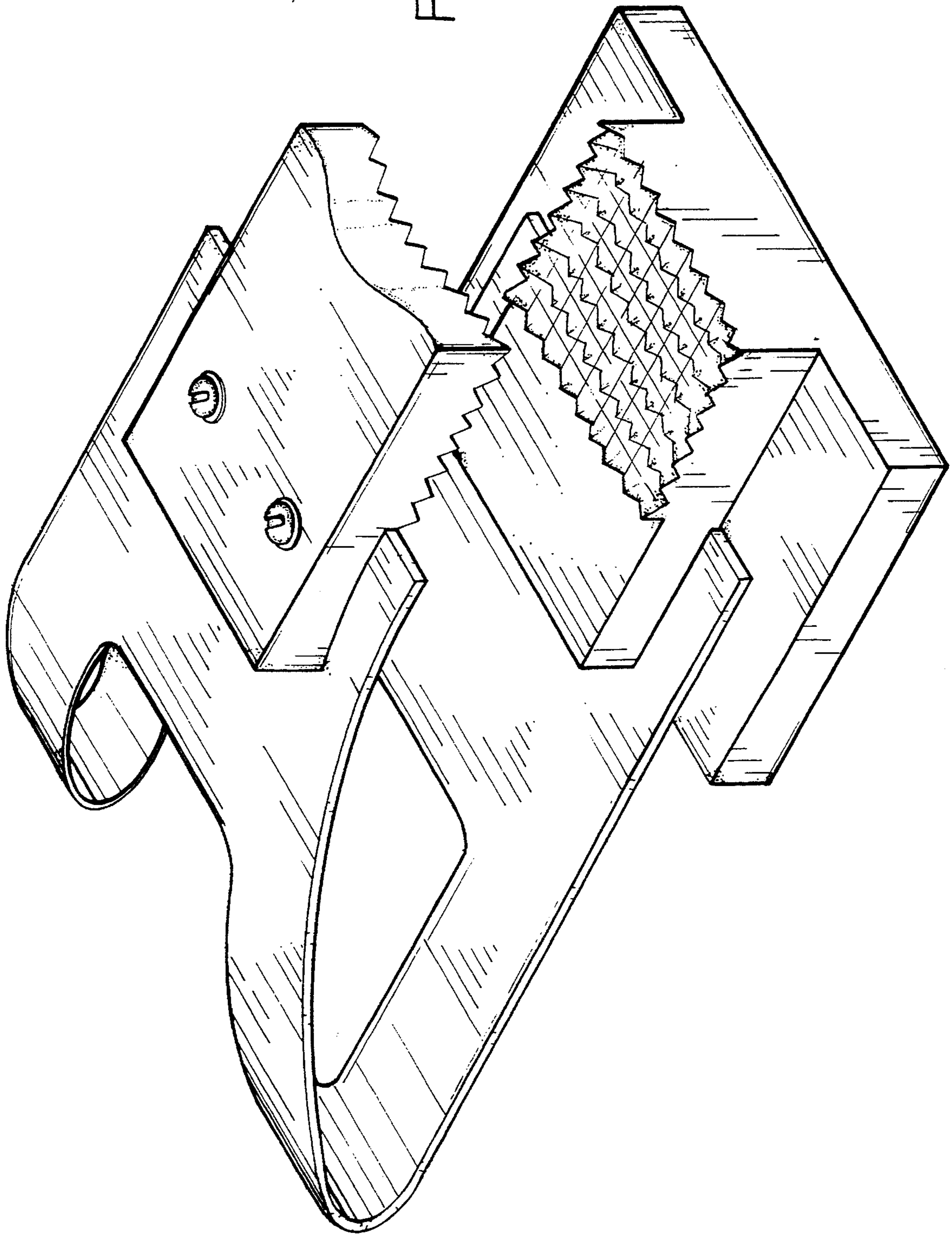


FIG. 1



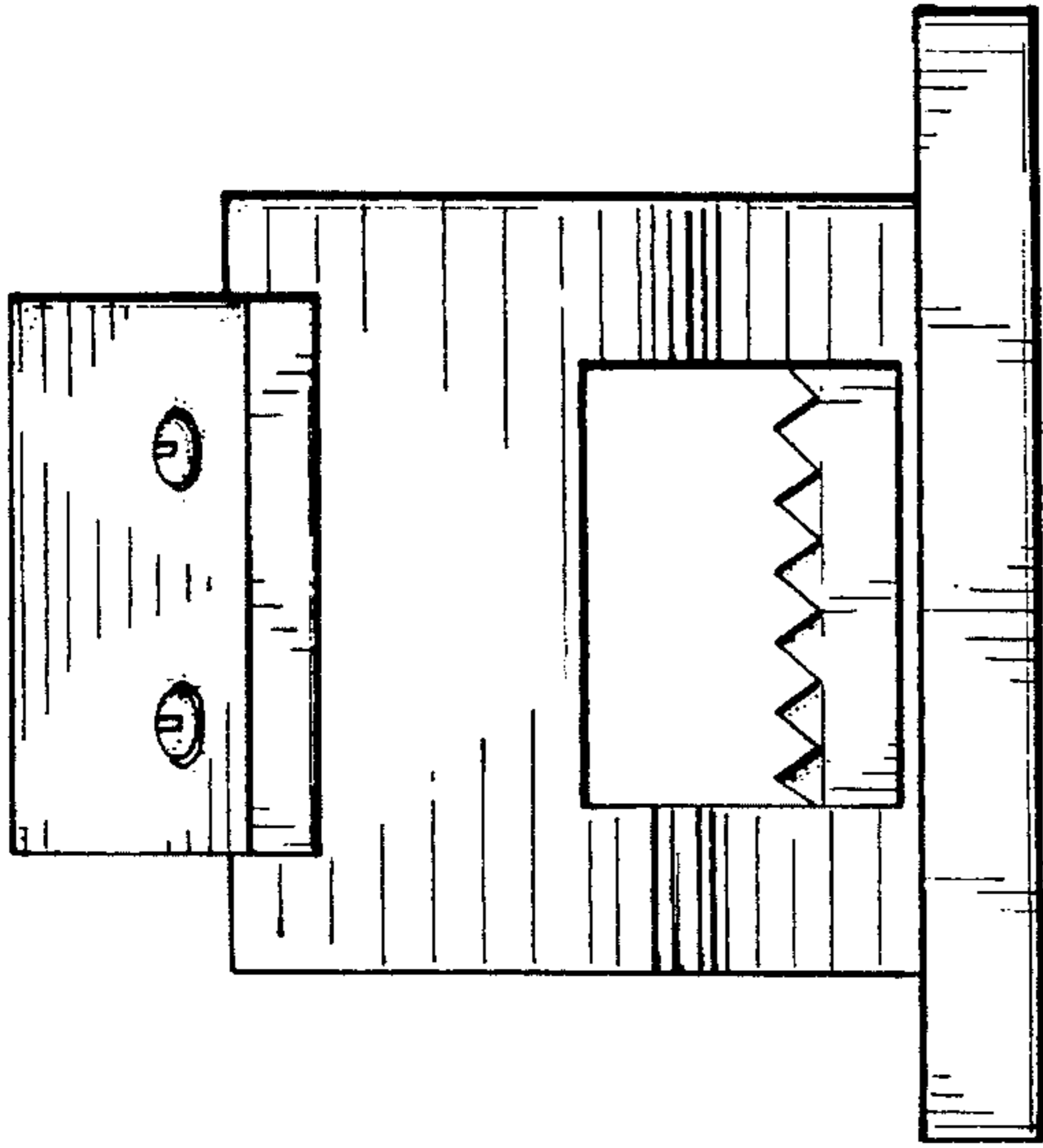


FIG. 3

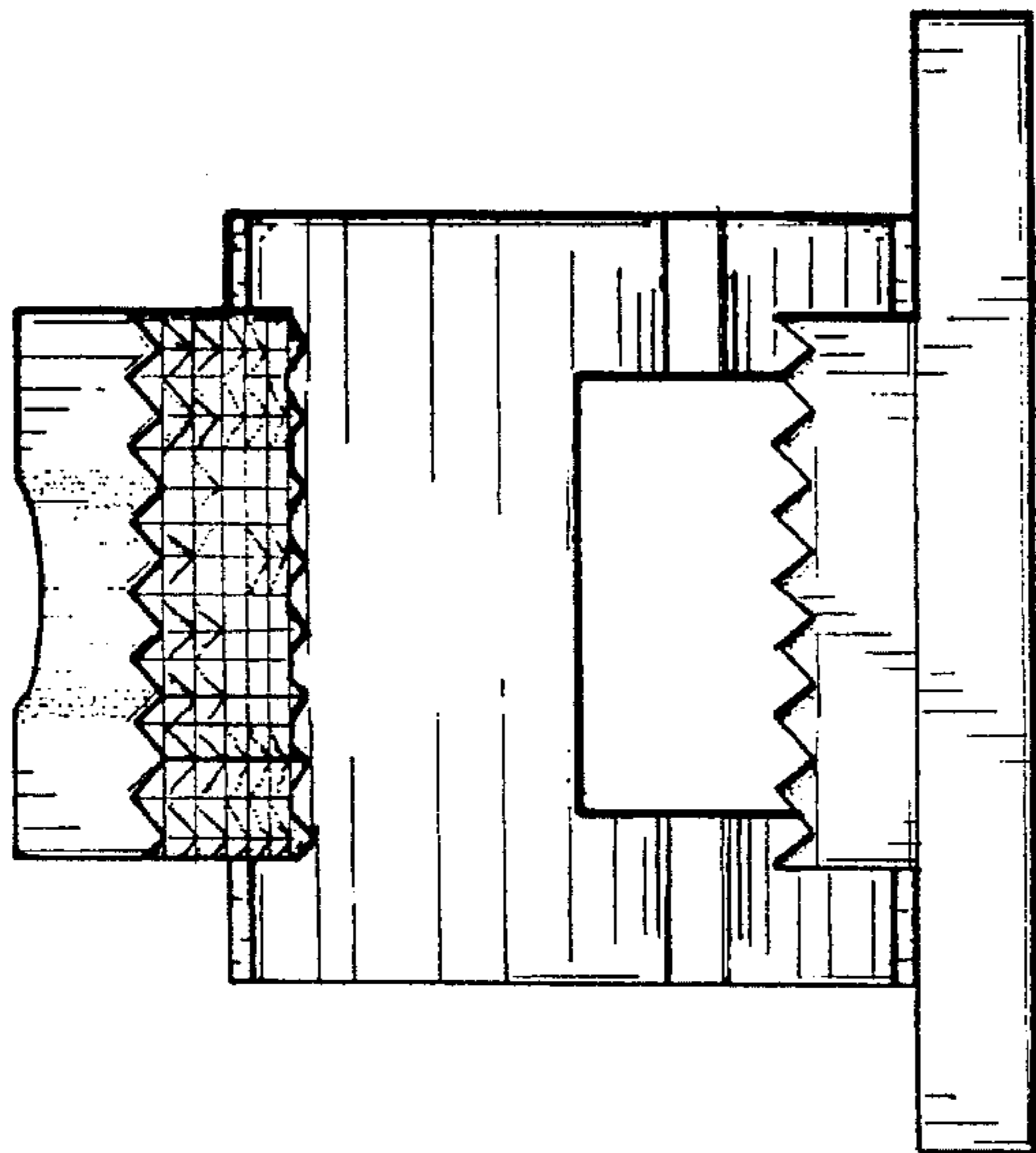


FIG. 2

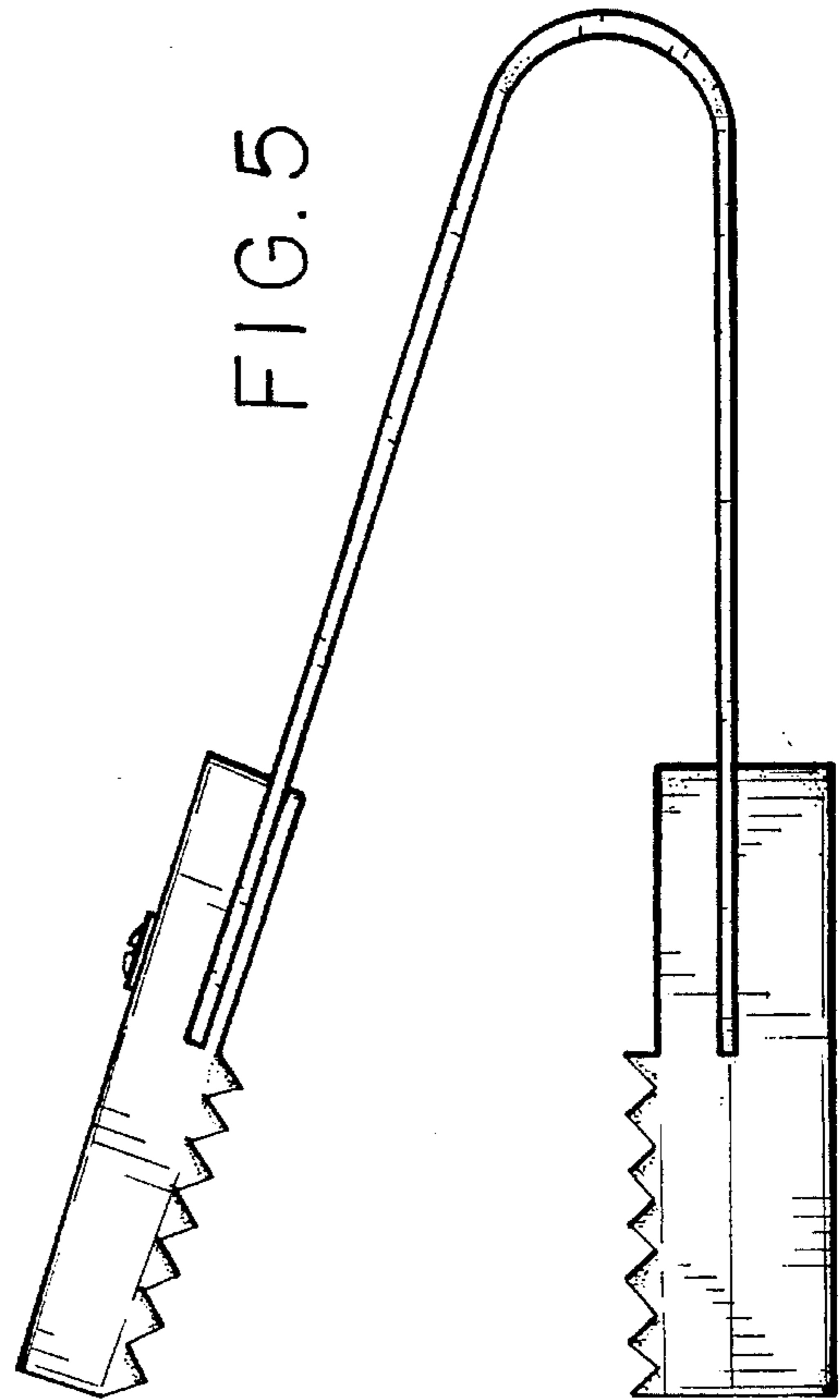


FIG. 5

FIG. 6

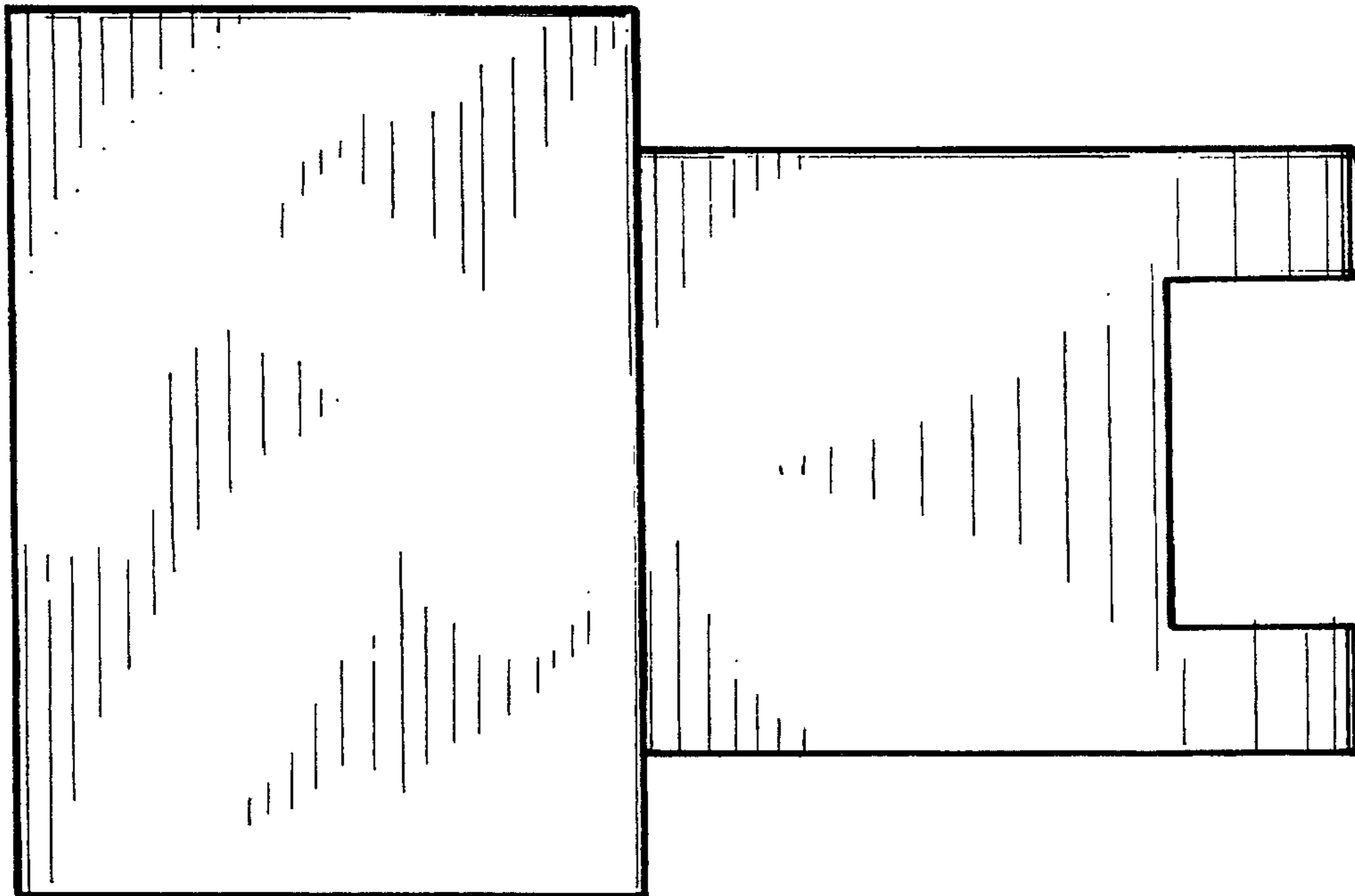


FIG. 4

