



US00D369196S

United States Patent [19] Münch et al.

[11] Patent Number: **Des. 369,196**

[45] Date of Patent: ****Apr. 23, 1996**

[54] **STOWING DEVICE FOR BOMBS**

4,767,257 8/1988 Kato 901/15 X
5,332,352 7/1994 Poduje et al. 901/15 X

[75] Inventors: **Udo Münch, Sinn; Markus Neuhof,**
Ehringshausen-Niederlemp, both of
Germany

Primary Examiner—Louis S. Zarfes
Assistant Examiner—Monica A. Hannon
Attorney, Agent, or Firm—Speckman, Pauley & Fejer

[73] Assignee: **Rittal-Werk Rudolf Loh GmbH &
Co. KG**

[57] **CLAIM**

[**] Term: **14 Years**

The ornamental design for a stowing device for bombs, as shown.

[21] Appl. No.: **19,895**

DESCRIPTION

[22] Filed: **Mar. 11, 1994**

FIG. 1 is an overall perspective view of a stowing device for bombs, having a cover bracket attached to a wall, according to this invention;

[30] **Foreign Application Priority Data**

Sep. 14, 1993 [DE] Germany M9307212.0

FIG. 2 is a front view of the stowing device for bombs shown in FIG. 1;

[52] U.S. Cl. **D22/112; D12/199**

FIG. 3 is a back view of the stowing device for bombs shown in FIG. 1;

[58] Field of Search 89/1.53, 1.54;
244/137.1, 137.4; 901/15, 16; D22/112;
414/744.4, 744.5

FIG. 4 is a first side view of the stowing device for bombs shown in FIG. 1;

[56] **References Cited**

U.S. PATENT DOCUMENTS

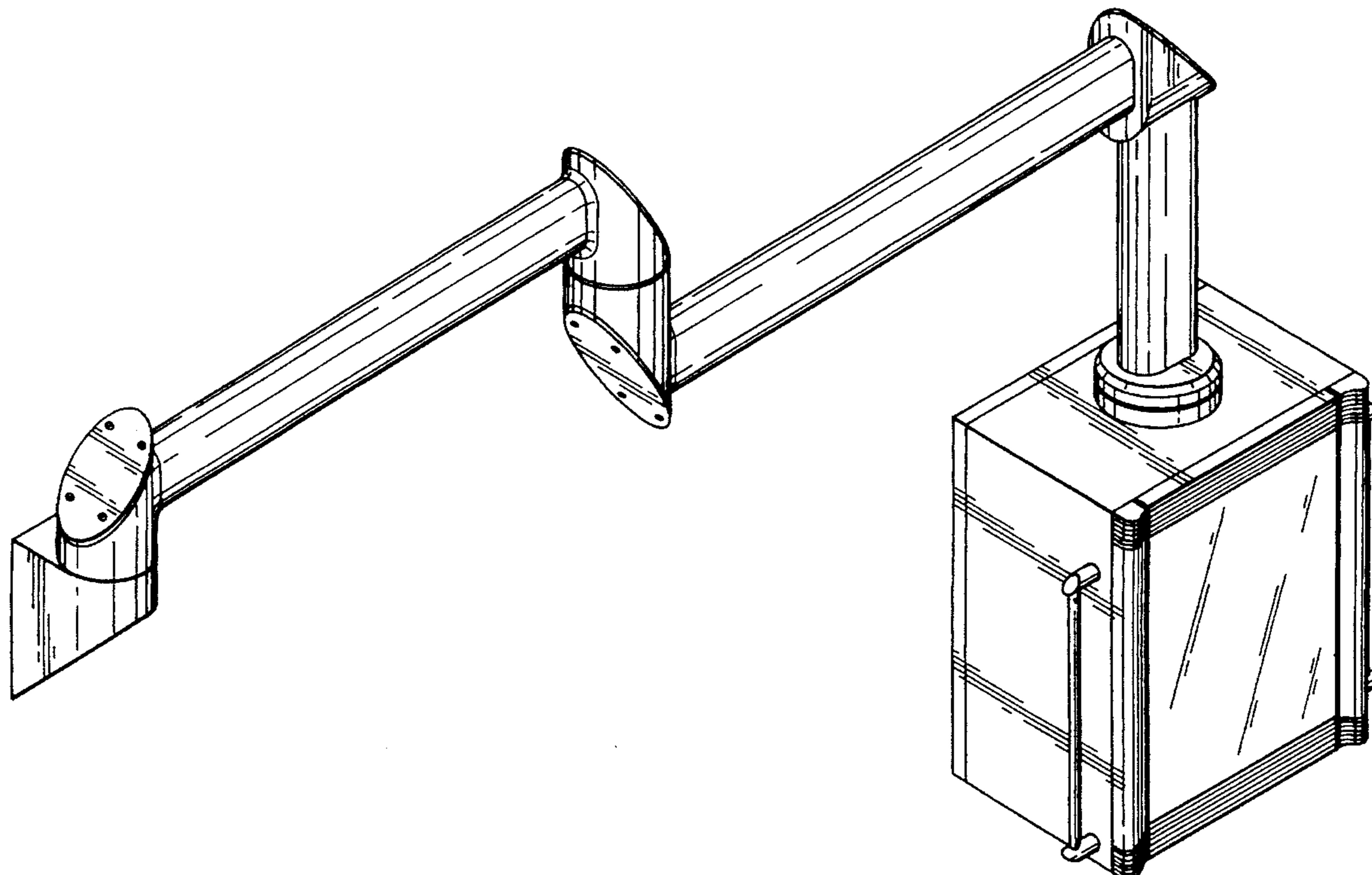
4,165,116 8/1979 Baudoin et al. 901/15 X
4,257,567 3/1981 Hasquenoph et al. 244/137.4
4,435,118 3/1984 Behrend et al. 414/744.5
4,594,049 6/1986 Terauchi 414/744.5
4,749,330 6/1988 Hine 414/744.5

FIG. 5 is a second side view of the stowing device for bombs shown in FIG. 1;

FIG. 6 is a top view of the stowing device for bombs shown in FIG. 1; and,

FIG. 7 is a bottom view of the stowing device for bombs shown in FIG. 1.

1 Claim, 5 Drawing Sheets



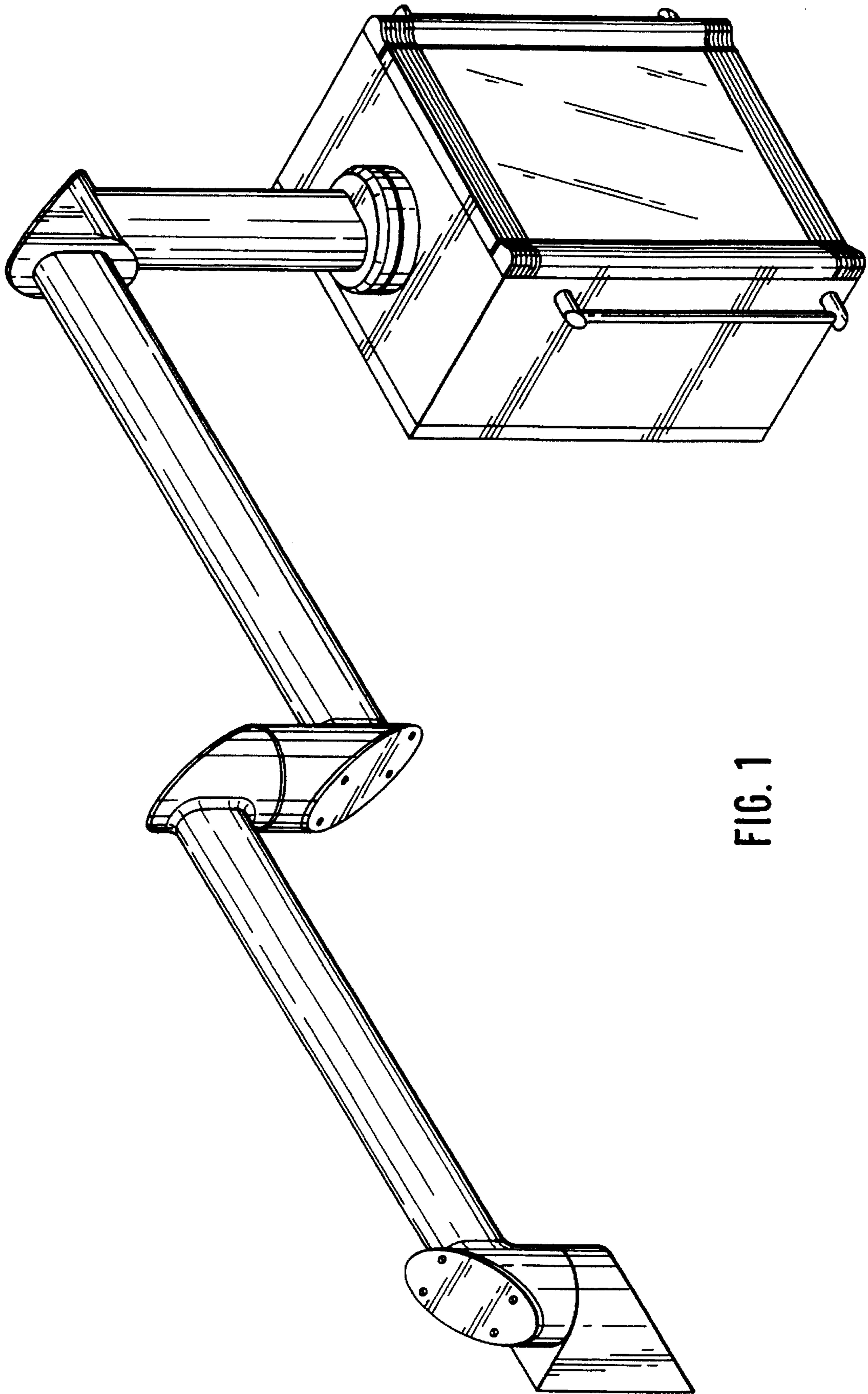


FIG. 1

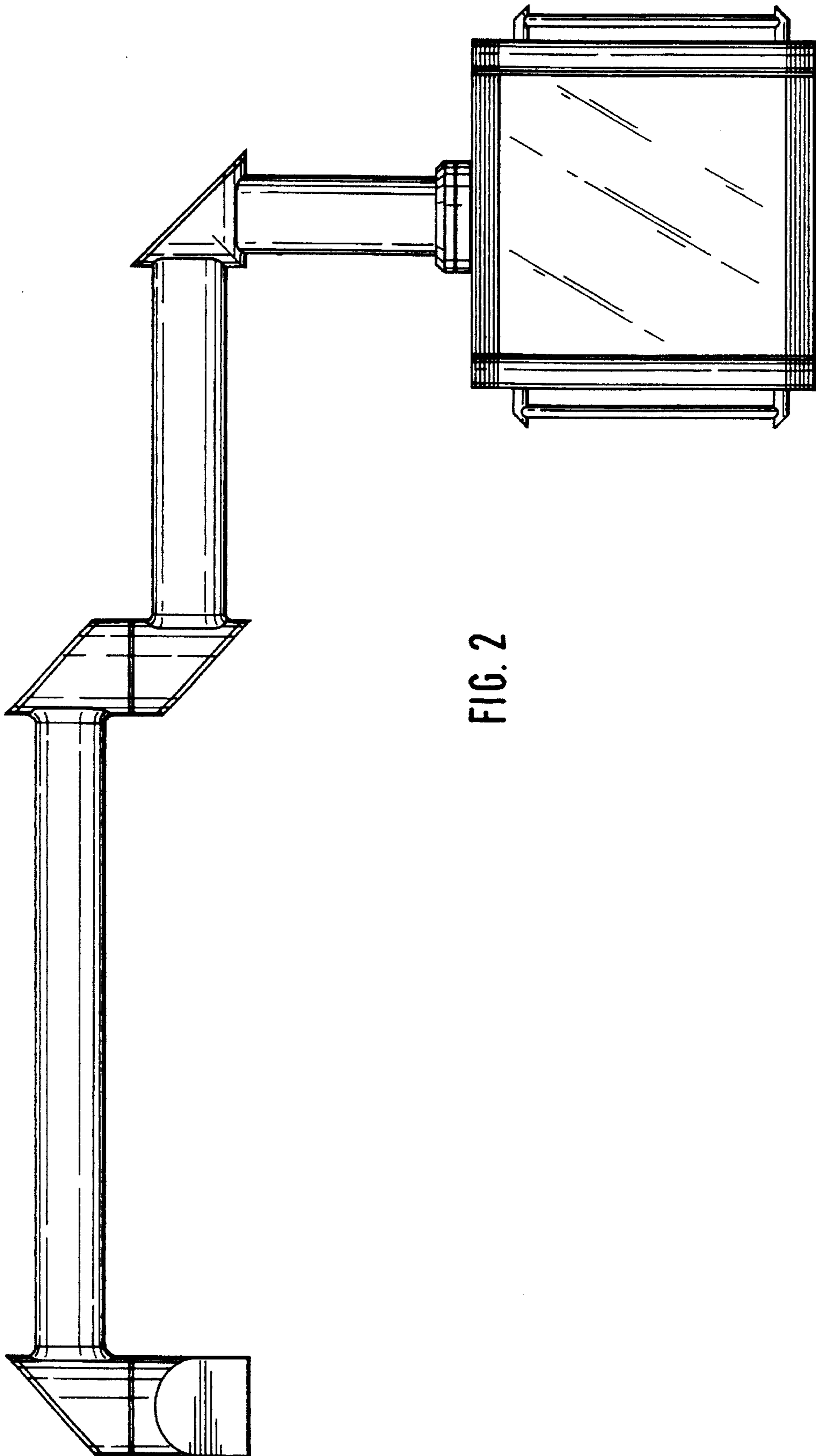


FIG. 2

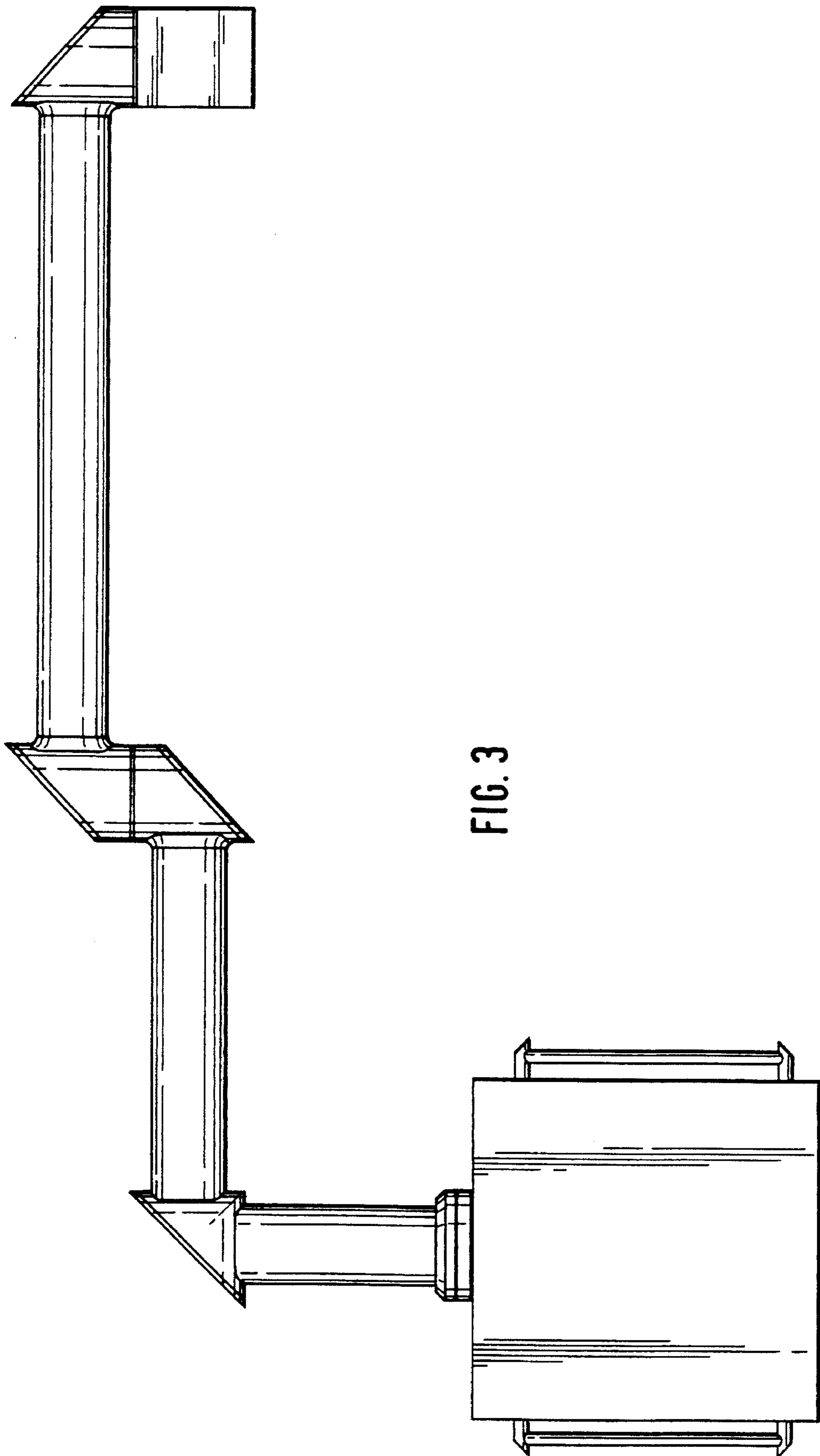


FIG. 3

FIG. 5

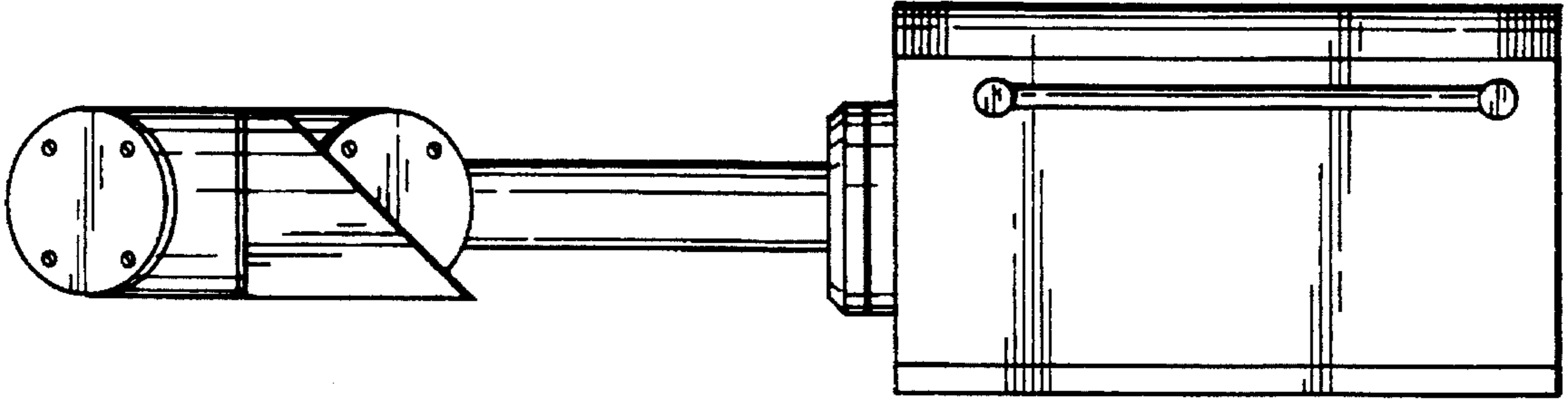
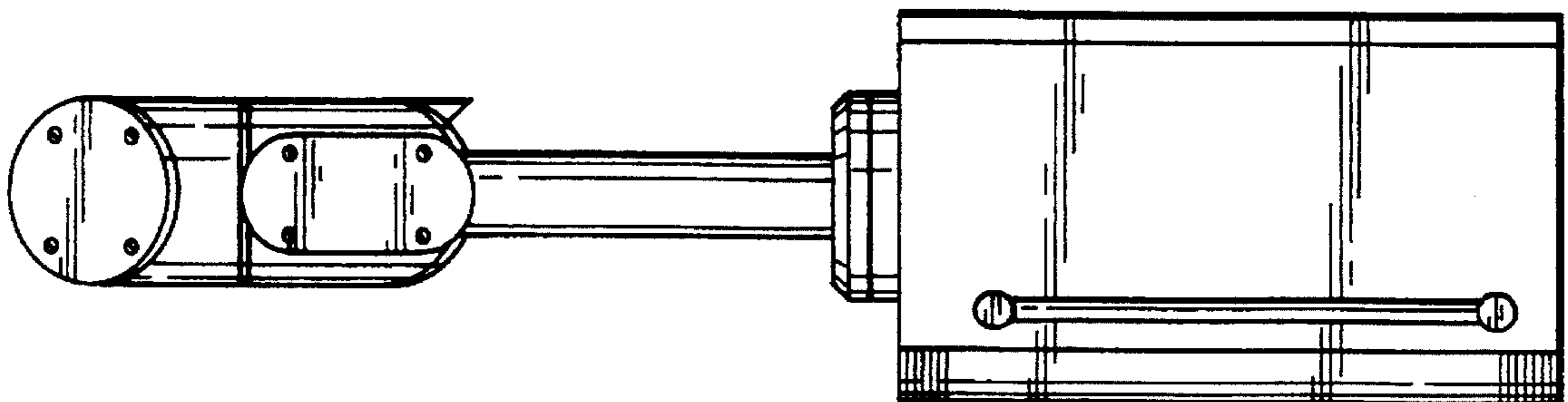


FIG. 4



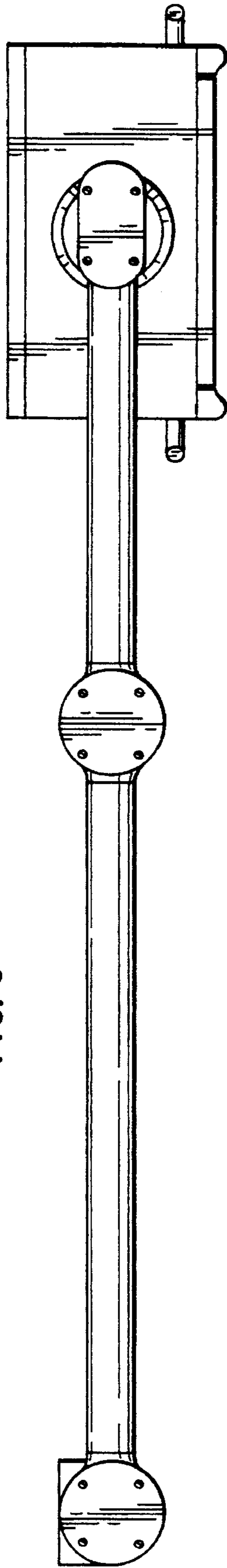


FIG. 6

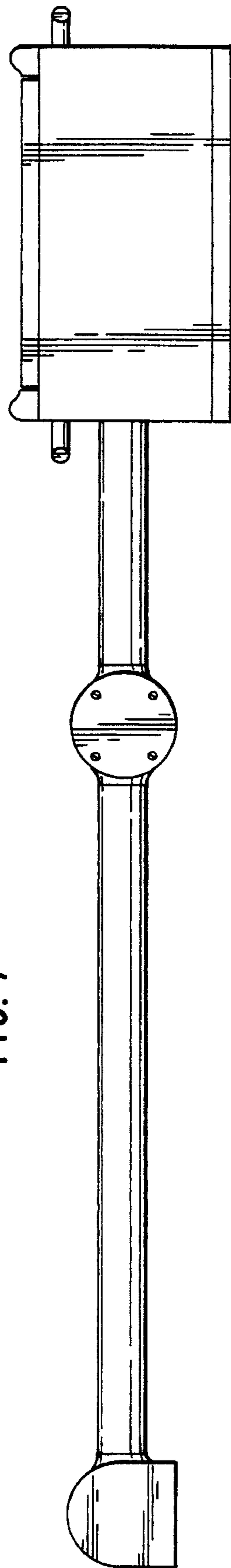


FIG. 7