



US00D369184S

United States Patent [19] Collins

[11] **Patent Number: Des. 369,184**
[45] **Date of Patent: **Apr. 23, 1996**

[54] **WRITING IMPLEMENT**

D. 355,933 2/1995 Collins D19/51 X

[76] Inventor: **Steven J. Collins**, 68 Fox Run,
Cranston, R.I. 02921

Primary Examiner—Martie Thompson
Attorney, Agent, or Firm—Salter & Michaelson

[**] Term: **14 Years**

[57] **CLAIM**

[21] Appl. No.: **41,205**

The ornamental design for a writing implement, as shown and described.

[22] Filed: **Jul. 10, 1995**

DESCRIPTION

[52] U.S. Cl. **D19/51**; D19/43; D19/56;
D19/57

[58] **Field of Search** D19/35, 36, 41-51,
D19/54-58, 81-85; 401/196, 202, 243-247

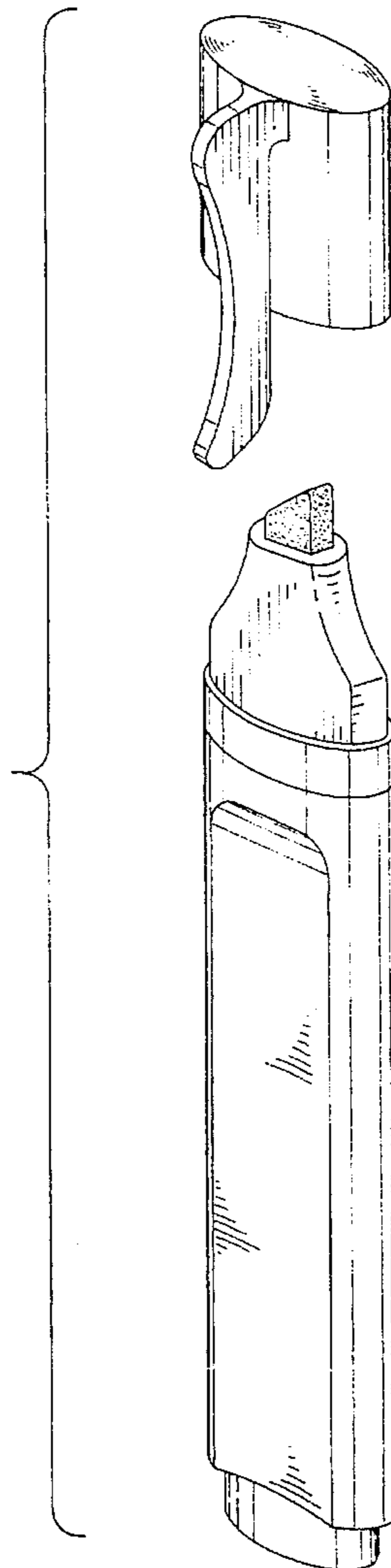
[56] **References Cited**

U.S. PATENT DOCUMENTS

D. 139,903	1/1945	Baff	D19/51 X
D. 146,176	1/1947	Green et al.	D19/51
D. 236,977	9/1975	Hocq	D19/51
D. 295,537	3/1988	Davidson et al.	D19/43
D. 324,879	3/1992	Morgan	D19/36
D. 329,253	9/1992	Sekiguchi	D19/43
D. 331,070	11/1992	Hu Huang	D19/51 X

FIG. 1 is a perspective view of the instant writing implement;
FIG. 2 is a left side view thereof, the right side view being identical;
FIG. 3 is a front view thereof;
FIG. 4 is a back view thereof;
FIG. 5 is a top view thereof;
FIG. 6 is a bottom view thereof; and,
FIG. 7 is an exploded perspective view thereof showing the cap portion of the writing implement separated from the body portion thereof.

1 Claim, 2 Drawing Sheets



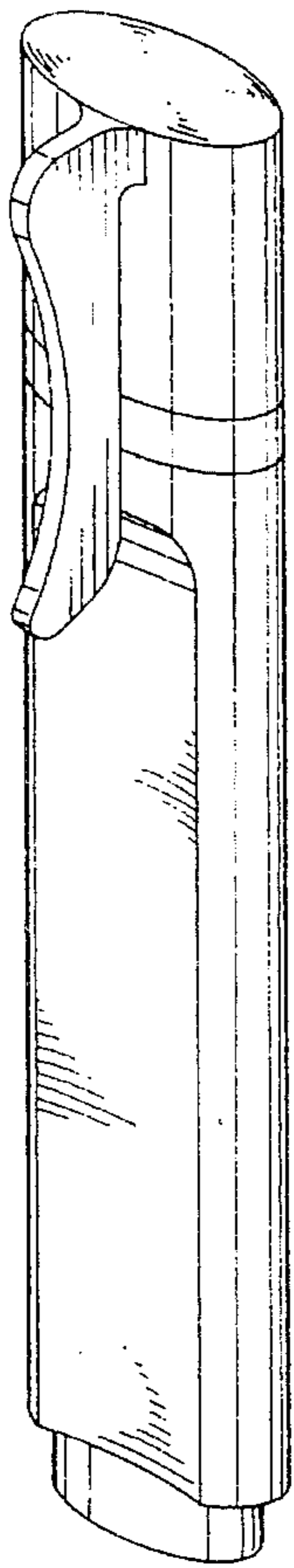


FIG. 1

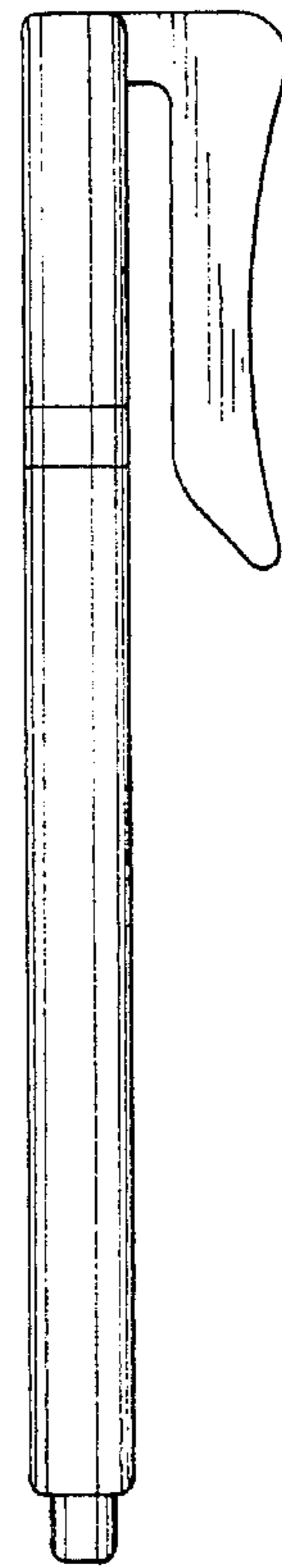


FIG. 2

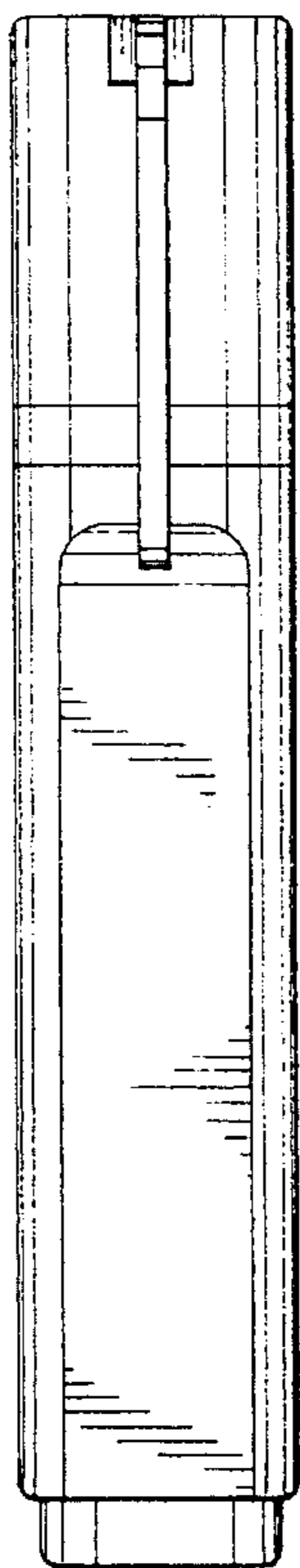


FIG. 3

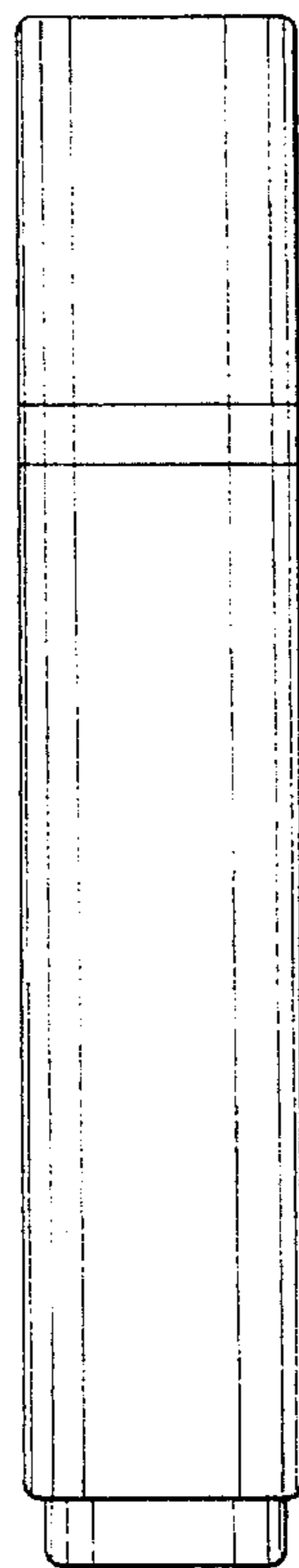


FIG. 4

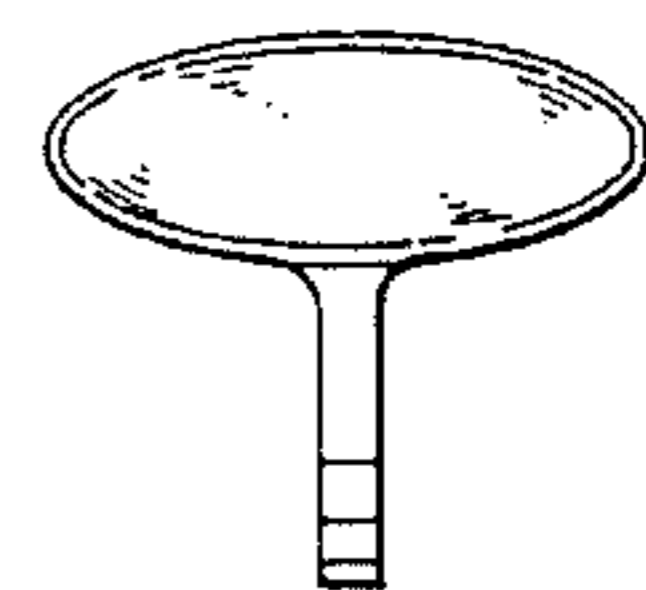


FIG. 5

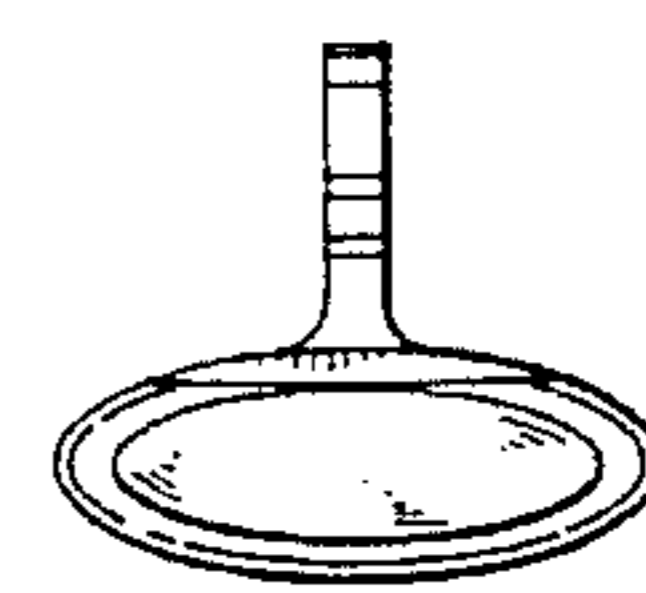


FIG. 6

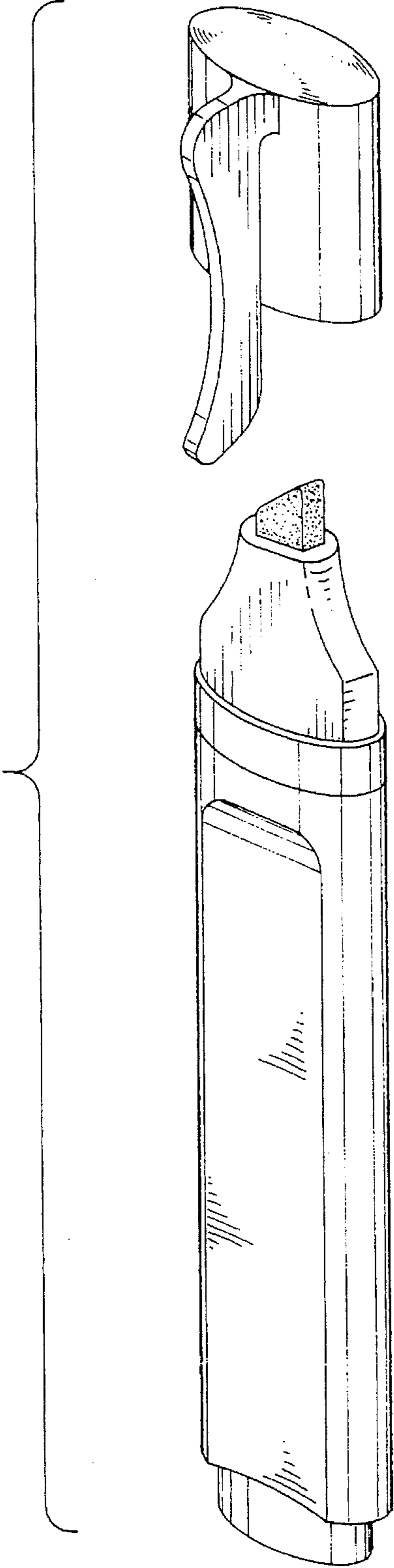


FIG. 7