



US00D369183S

**United States Patent** [19]  
**Yoshida**

[11] **Patent Number: Des. 369,183**  
[45] **Date of Patent: \*\*Apr. 23, 1996**

[54] **FELT PEN**

[75] Inventor: **Shusaku Yoshida**, Nagoya, Japan

[73] Assignee: **Schachihata Inc.**, Aichi, Japan

[\*\*] Term: **14 Years**

[21] Appl. No.: **39,729**

[22] Filed: **Jun. 5, 1995**

[30] **Foreign Application Priority Data**

Dec. 26, 1994 [JP] Japan ..... 6-39808

[52] **U.S. Cl.** ..... **D19/49; D19/43; D19/51; D19/57**

[58] **Field of Search** ..... **D19/35, 36, 41-51, D19/54-58, 81-85; 401/196, 202, 243-247**

[56] **References Cited**

**U.S. PATENT DOCUMENTS**

D. 286,163	10/1986	Shintani	.....	D19/43
D. 311,550	10/1990	Yazaki	.....	D19/57 X
D. 313,245	12/1990	Iwase	.....	D19/51 X
D. 326,684	6/1992	Shike et al.	.....	D19/49
D. 329,661	9/1992	Kimura	.....	D19/43 X
D. 331,940	12/1992	Shirai et al.	.....	D19/51
D. 332,624	1/1993	Hollowood	.....	D19/43

**OTHER PUBLICATIONS**

Dri Mark Products, Inc. Jul. 1969 Advertisement, see circled marker-page center.

*Primary Examiner*—Martie Thompson

*Attorney, Agent, or Firm*—Keck, Mahin & Cate

[57] **CLAIM**

The ornamental design for a felt pen, as shown and described.

**DESCRIPTION**

FIG. 1 is a top, left front perspective view of a felt pen showing my new design;

FIG. 2 is a left side elevational view, the right side being a mirror image thereof;

FIG. 3 is a front elevational view;

FIG. 4 is a rear elevational view;

FIG. 5 is a top plan view;

FIG. 6 is a bottom plan view;

FIG. 7 is a perspective view in an exploded condition;

FIG. 8 is a typical side elevational view of the pen body with the cap member removed for convenience of illustration;

FIG. 9 is a top plan view of FIG. 8;

FIG. 10 is a bottom plan view of FIG. 8;

FIG. 11 is a left side elevational view of the cap member with the pen body removed for convenience of illustration;

FIG. 12 is a top plan view of FIG. 11;

FIG. 13 is a bottom plan view of FIG. 11; and,

FIG. 14 is a cross-sectional view of FIG. 1.

**1 Claim, 3 Drawing Sheets**

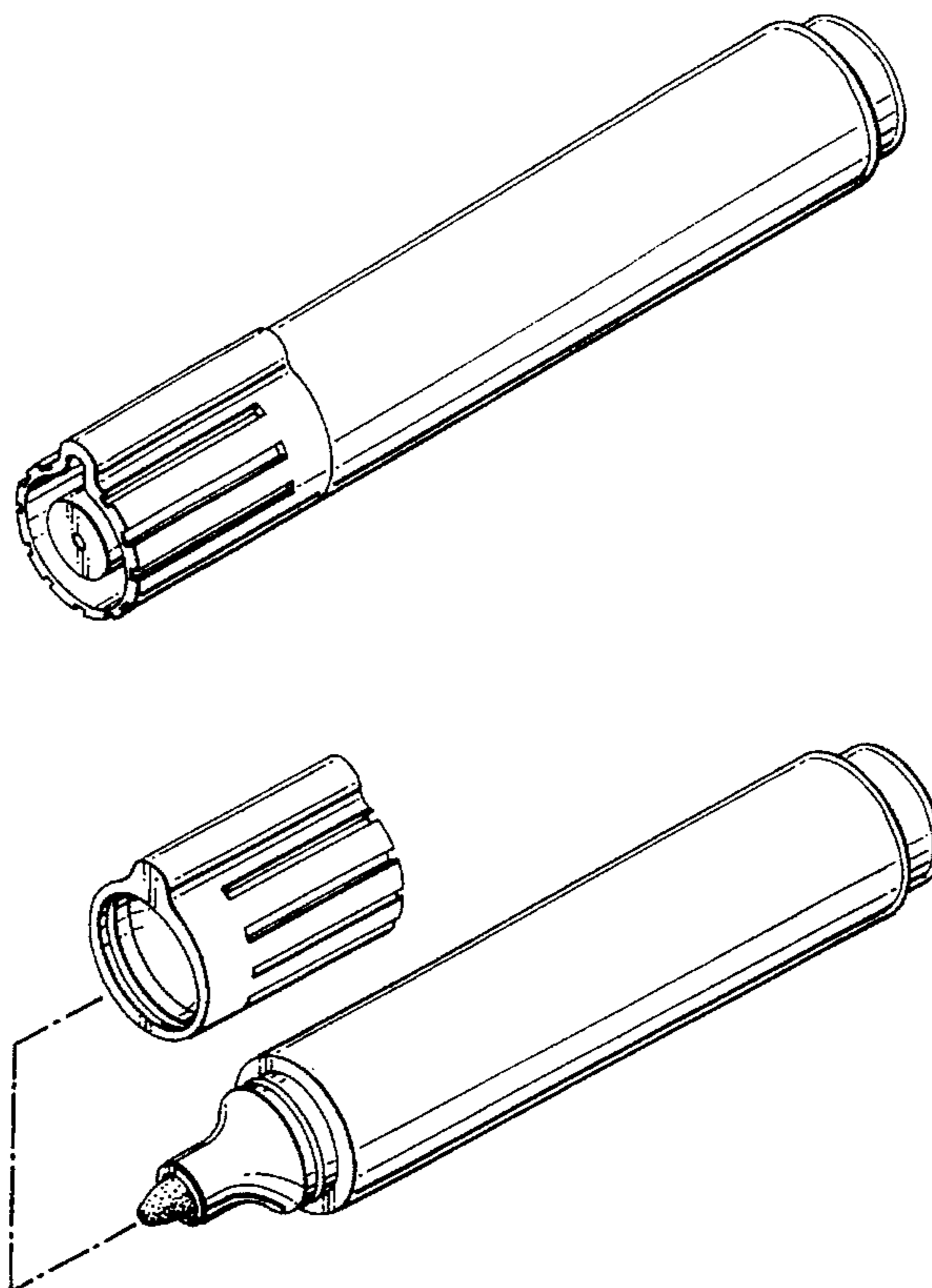


FIG. 1

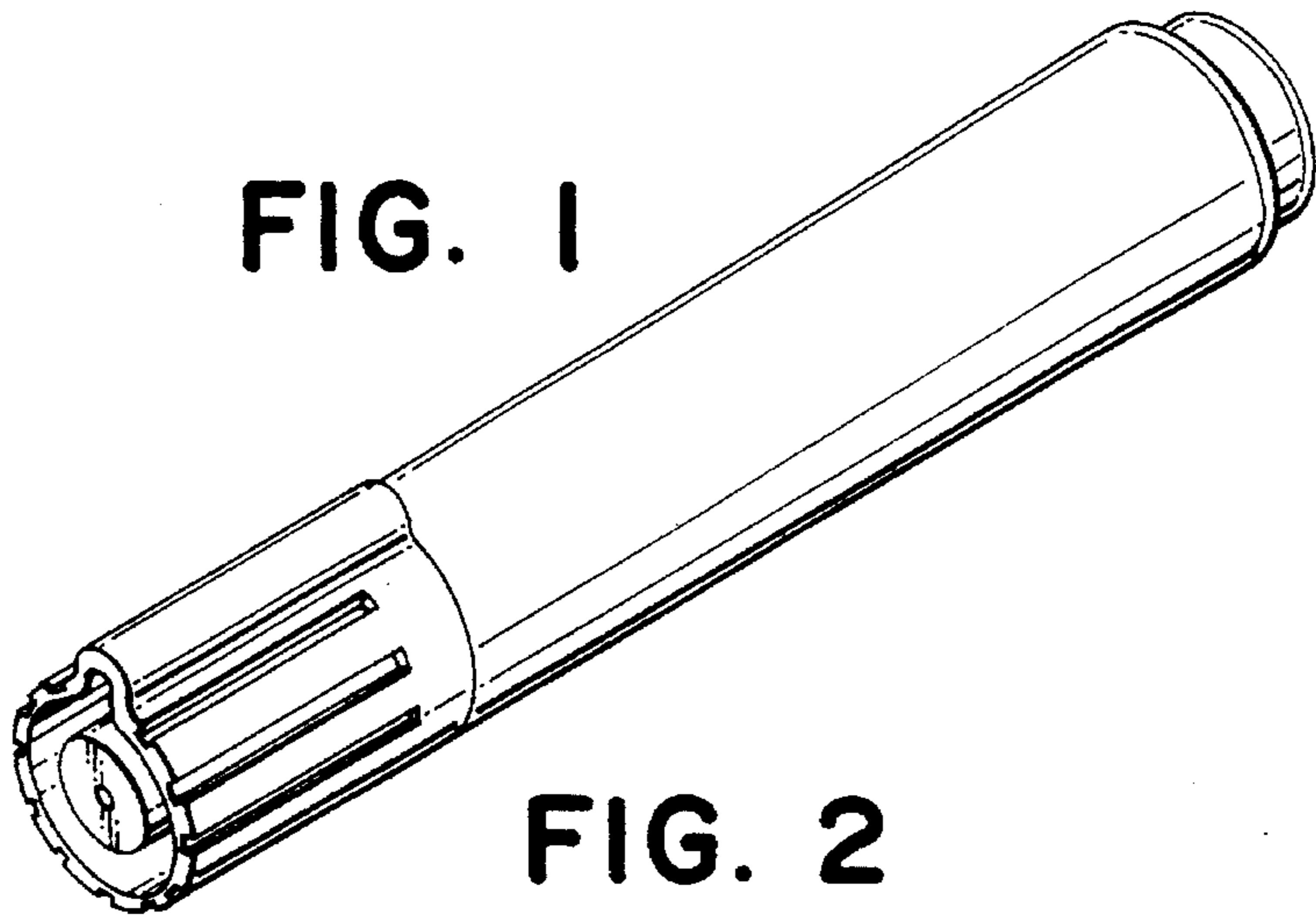


FIG. 2

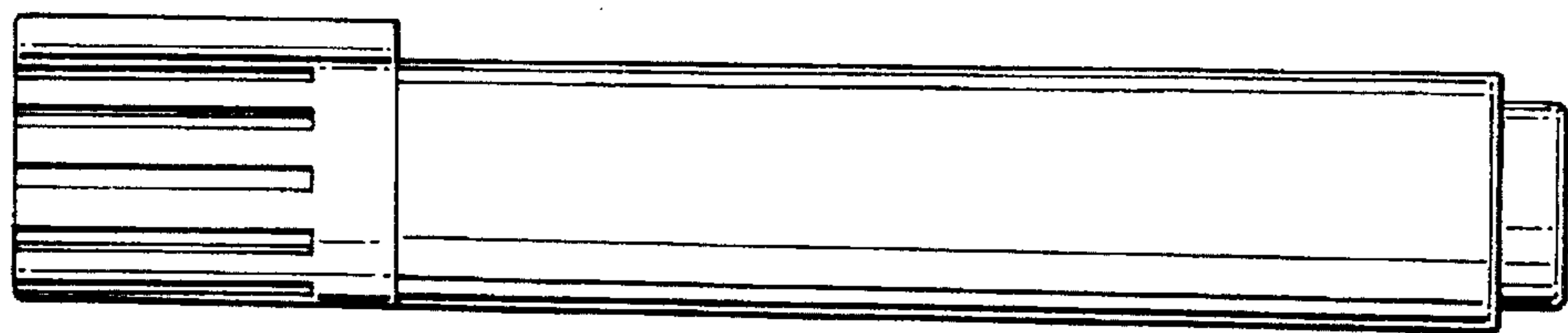


FIG. 3

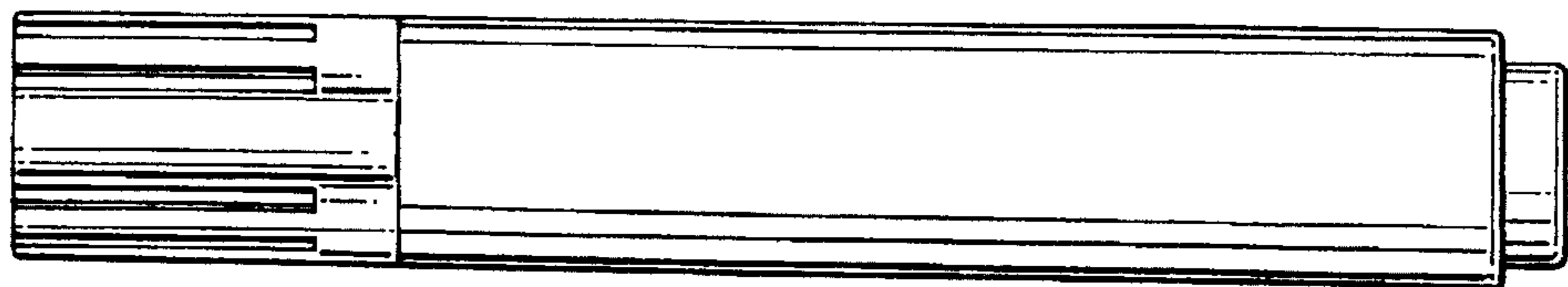


FIG. 4

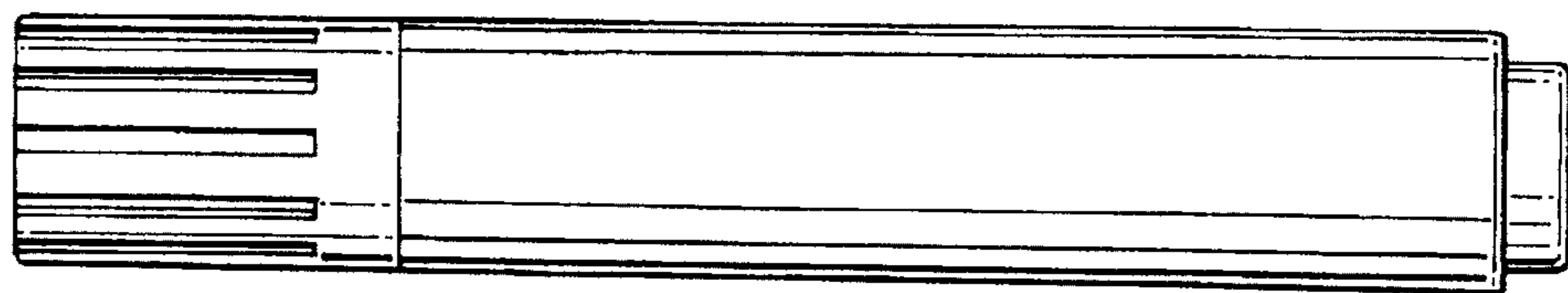


FIG. 5

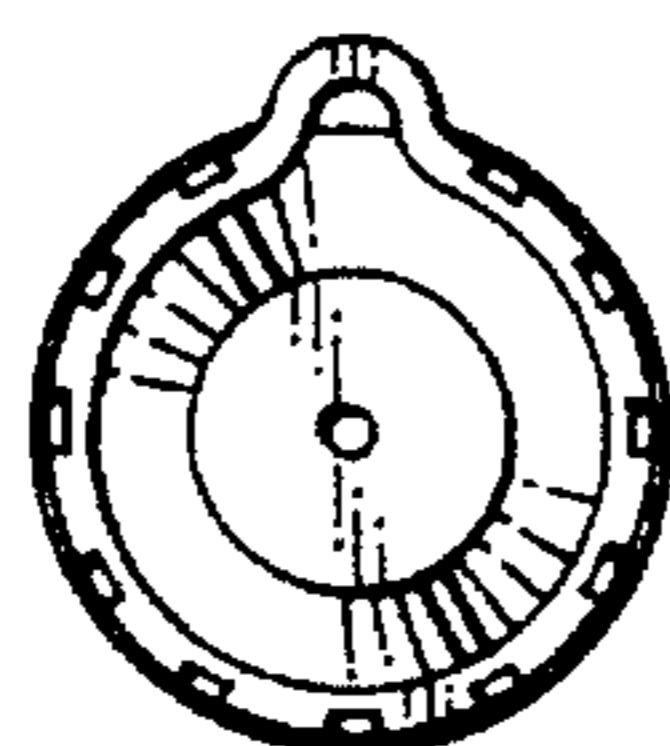


FIG. 6

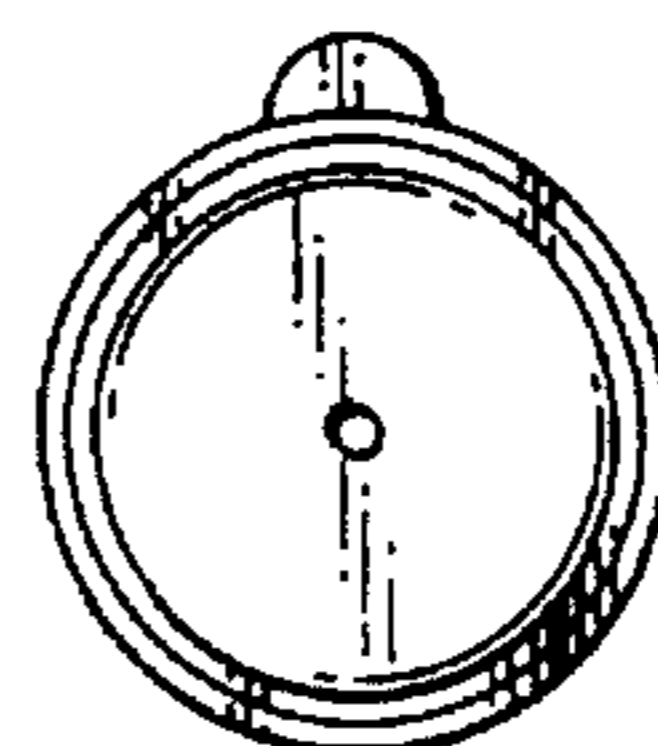


FIG. 7

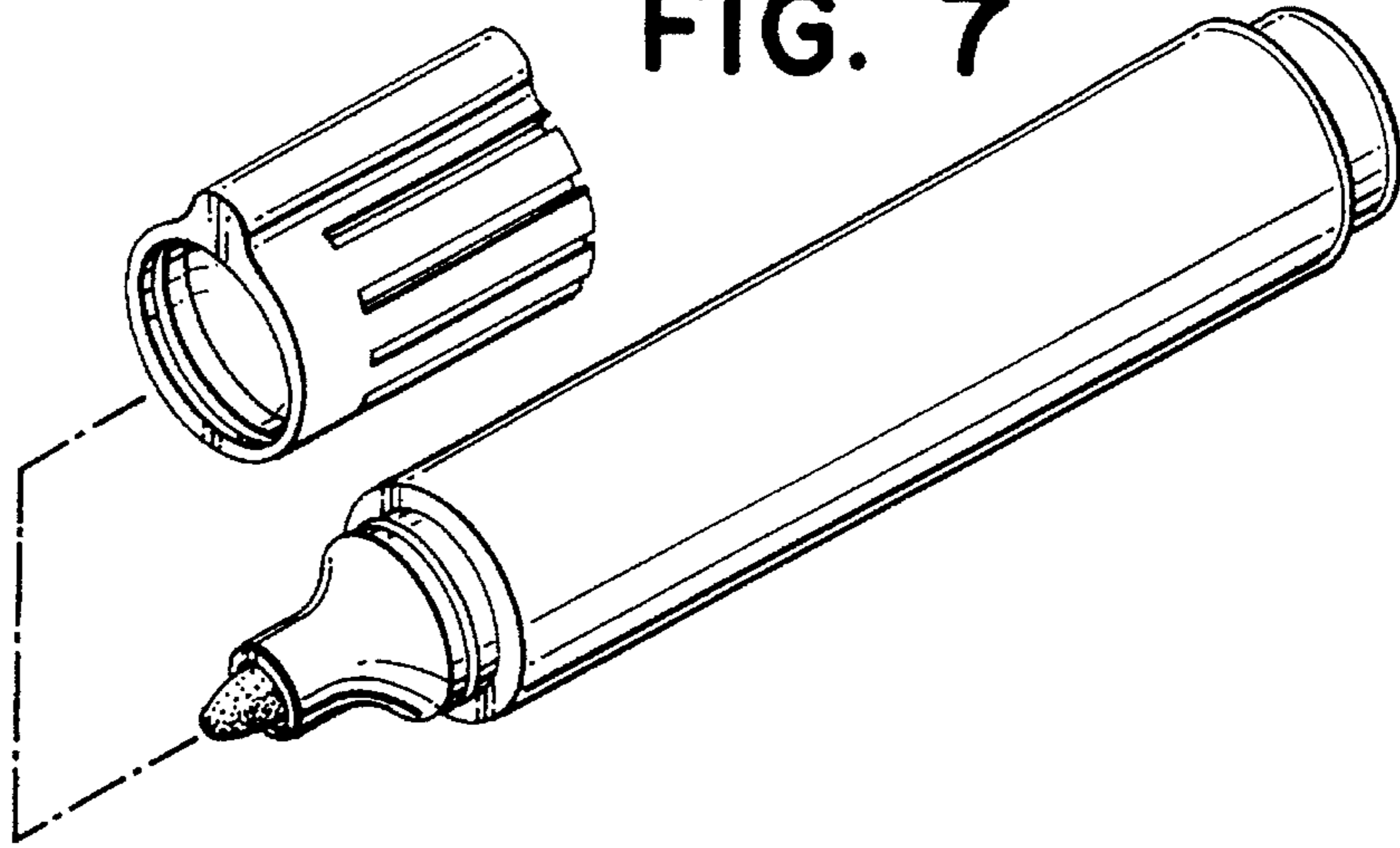


FIG. 8

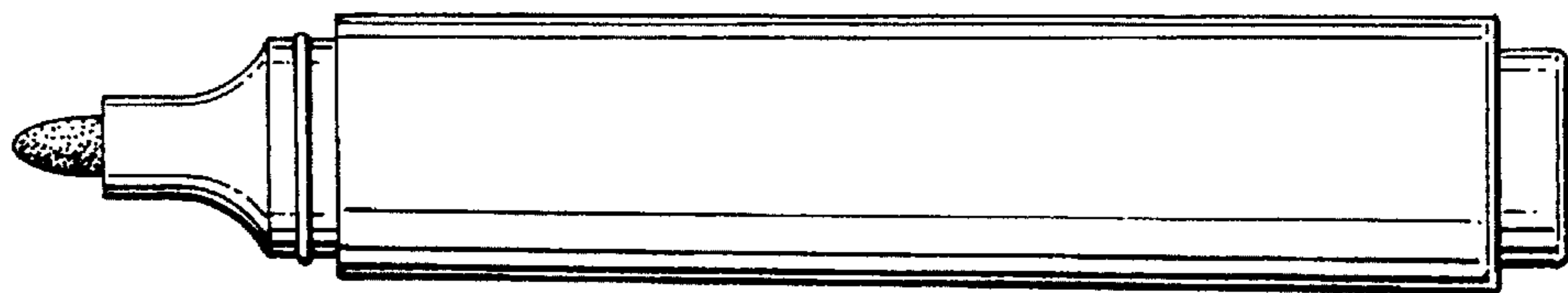


FIG. 9

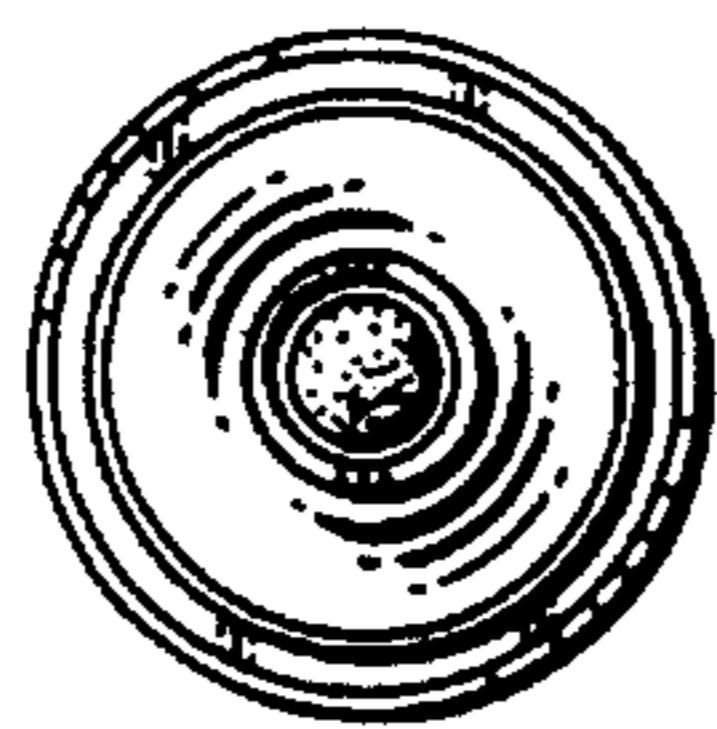


FIG. 10

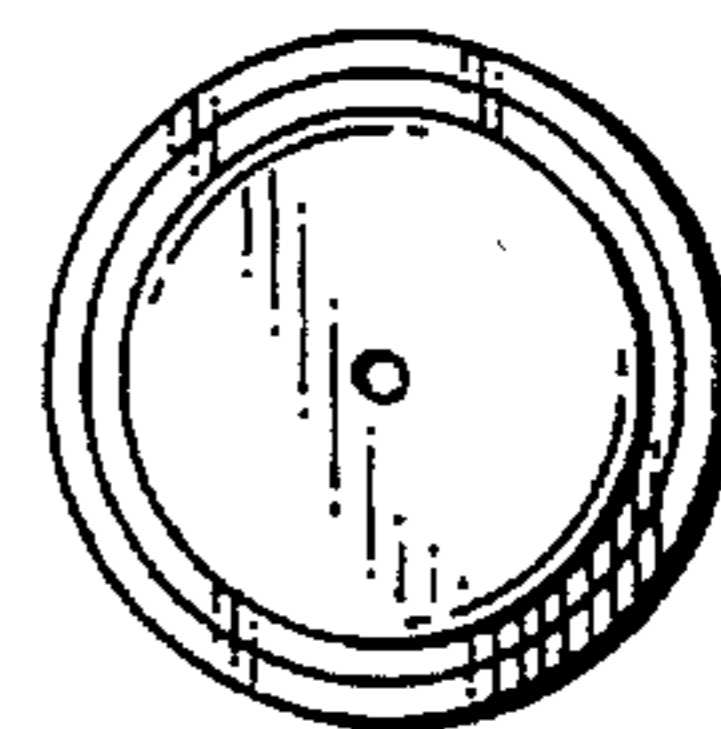


FIG. 11

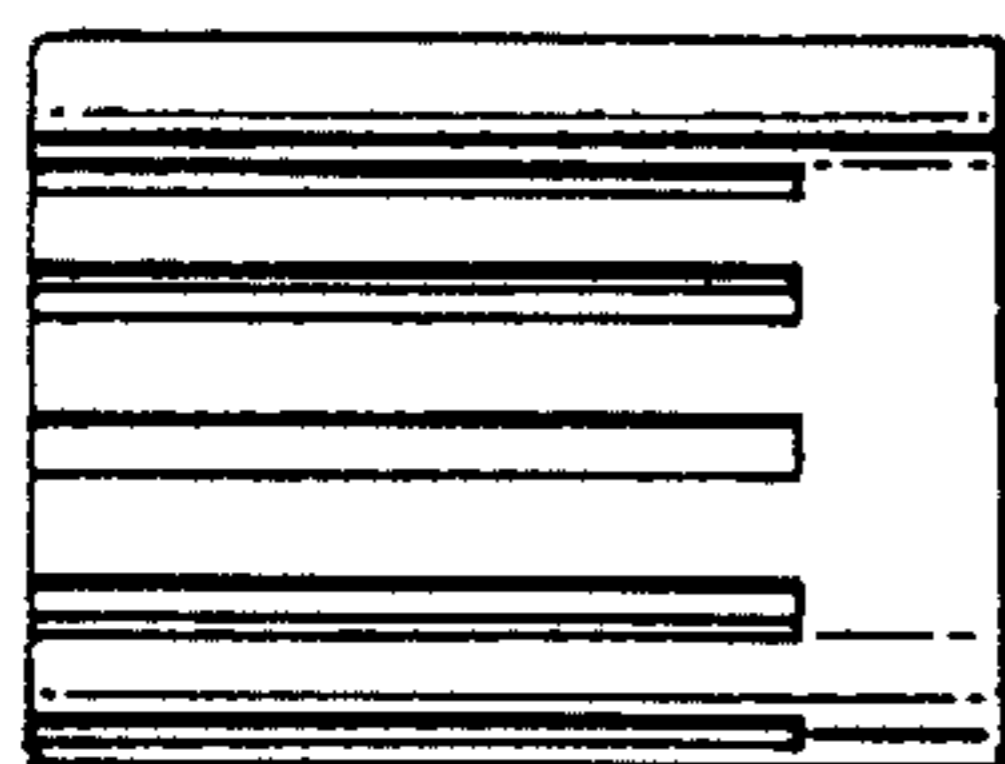


FIG. 12

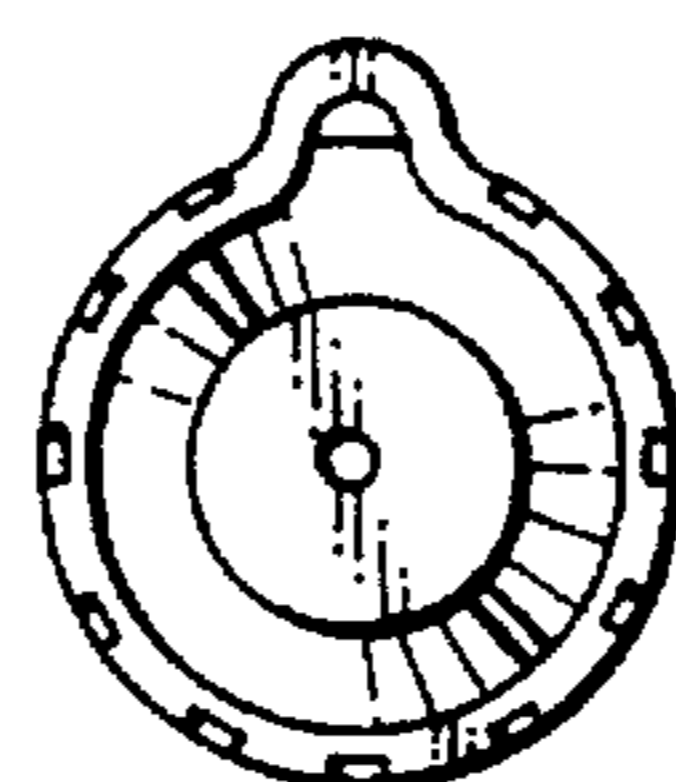


FIG. 13

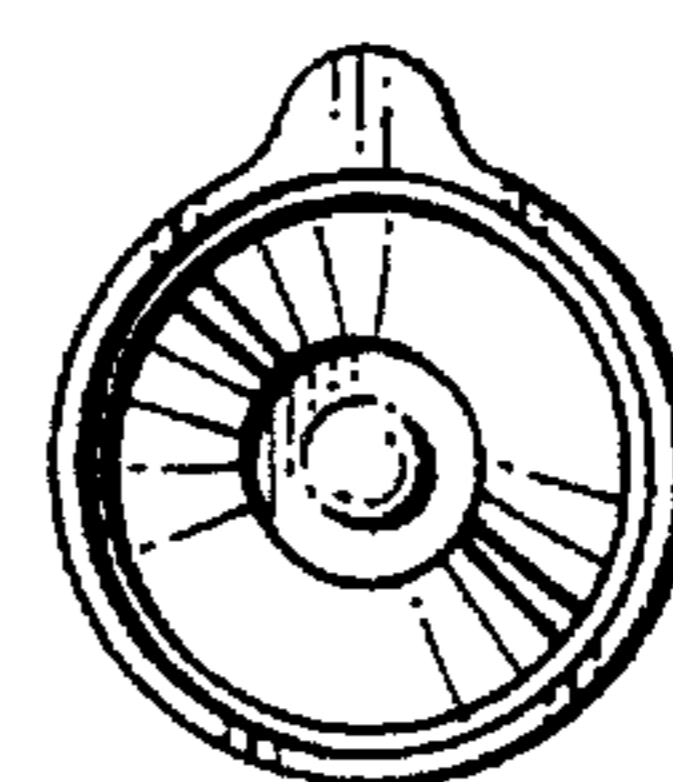




FIG. 14

